

2000-06 ENGINE PERFORMANCE

PCV System - Insight

DTC TROUBLESHOOTING

DTC P2279: INTAKE AIR SYSTEM LEAK DETECTED (2005-2006 MODELS)

NOTE: Before you troubleshoot, record all freeze data and review the general troubleshooting information (see GENERAL TROUBLESHOOTING INFORMATION).

1. Reset the ECM with the HDS (see ECM RESET).
2. Start the engine. Hold the engine speed at 3,000 rpm without load (in Park or neutral) until the radiator fan comes on.
3. Let the engine idle for at least 40 seconds with the throttle fully closed.
4. Check for Temporary DTCs or DTCs with the HDS.

Is DTC P2279 indicated ?

YES -Check these parts for vacuum leaks:

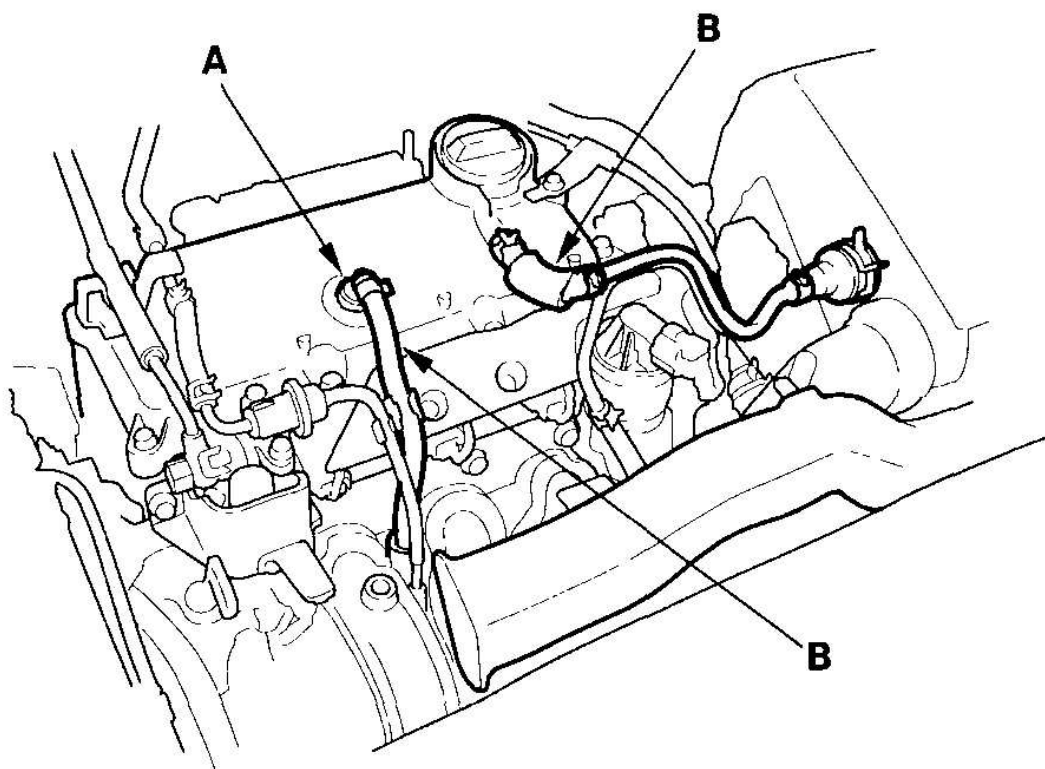
- PCV valve
- PCV hose
- EVAP canister purge valve
- Throttle body
- Brake booster hose
- Intake manifold gasket

NO -Intermittent failure, system is OK at this time.

PCV VALVE INSPECTION

1. Check the PCV valve (A), hoses (B), and connections for leaks or restrictions.

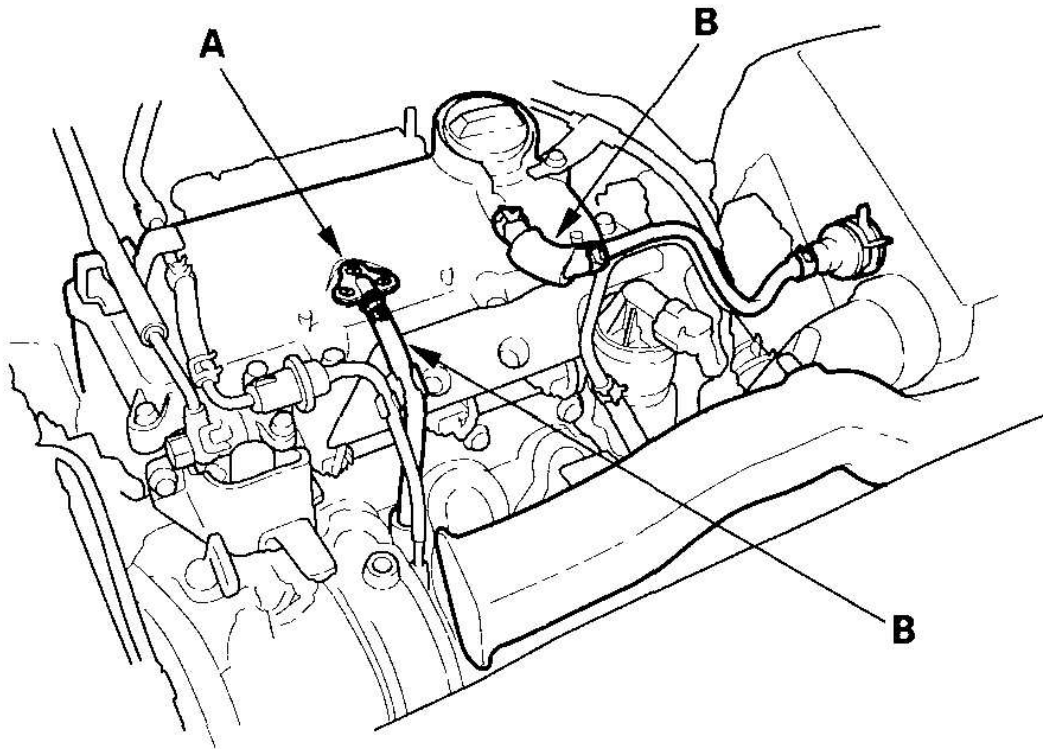
2000-2004 models



G03681108

Fig. 1: Checking PCV Valve, Hoses And Connections (2000-2004 Models)
Courtesy of AMERICAN HONDA MOTOR CO., INC.

2005-2006 models



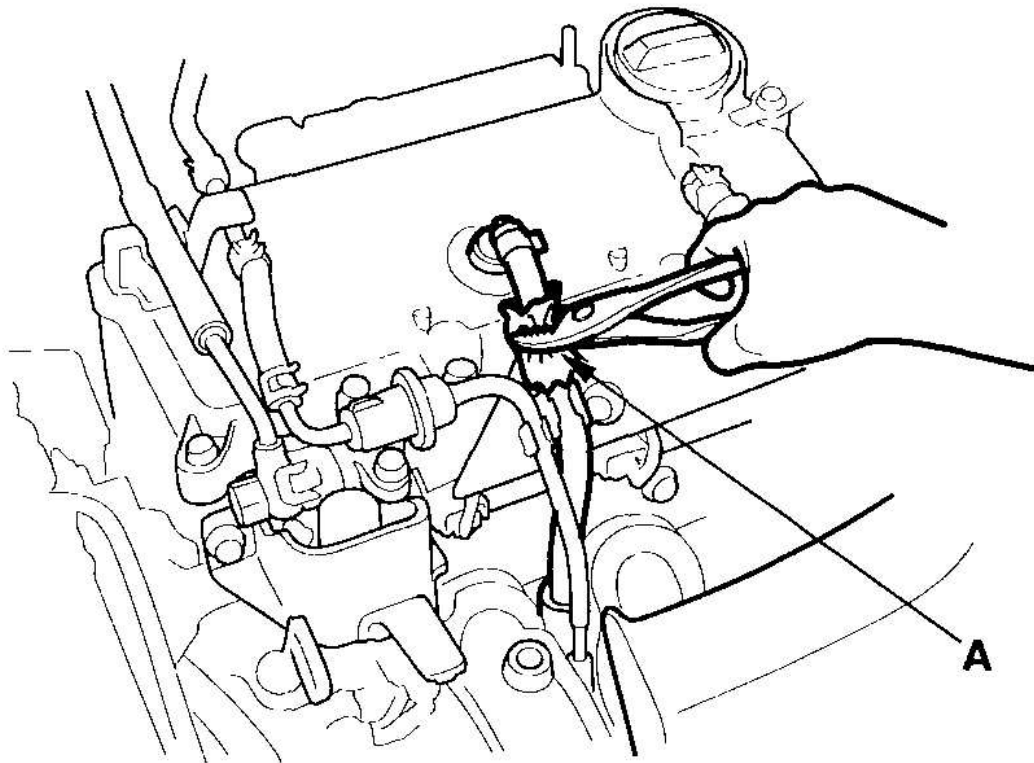
G03681109

Fig. 2: Checking PCV Valve, Hoses And Connections (2005-2006 Models)
Courtesy of AMERICAN HONDA MOTOR CO., INC.

2. At idle, make sure there is a clicking sound from the PCV valve when the hose between the PCV valve and intake manifold is lightly pinched (A) with your fingers or pliers.

If there is no clicking sound, check the PCV valve grommet for cracks or damage. If the grommet is OK, replace the PCV valve and recheck.

2000-2004 models

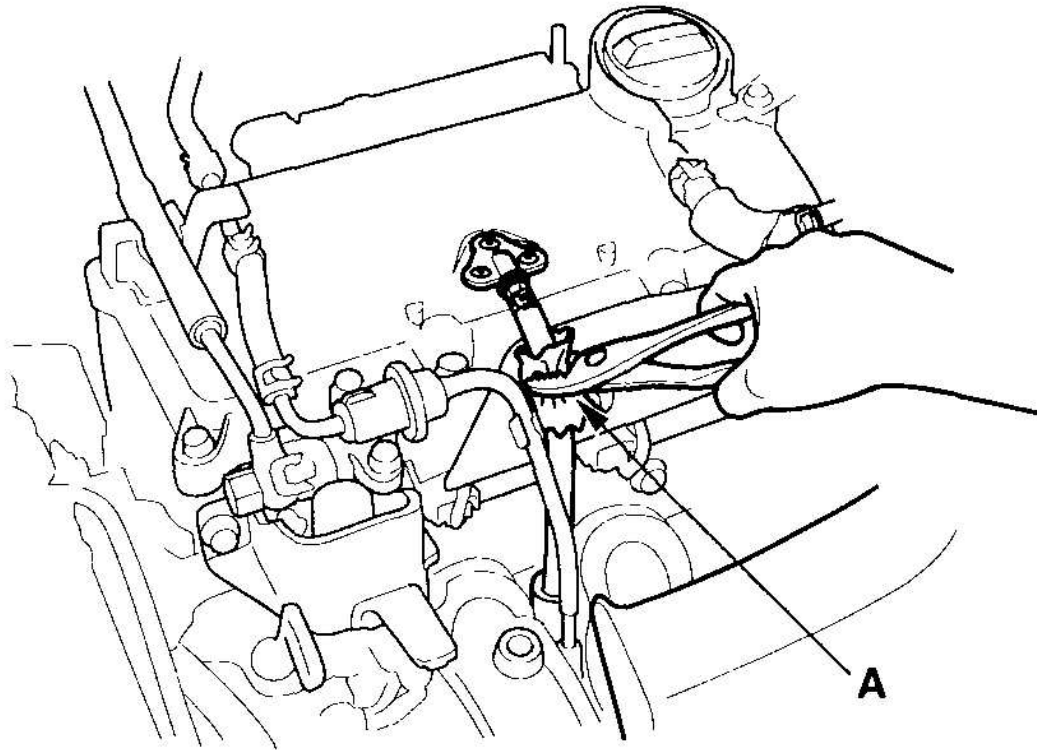


G03681110

Fig. 3: Pinching Hose Between PCV Valve And Intake Manifold (2000-2004 Models)

Courtesy of AMERICAN HONDA MOTOR CO., INC.

2005-2006 models



G03681111

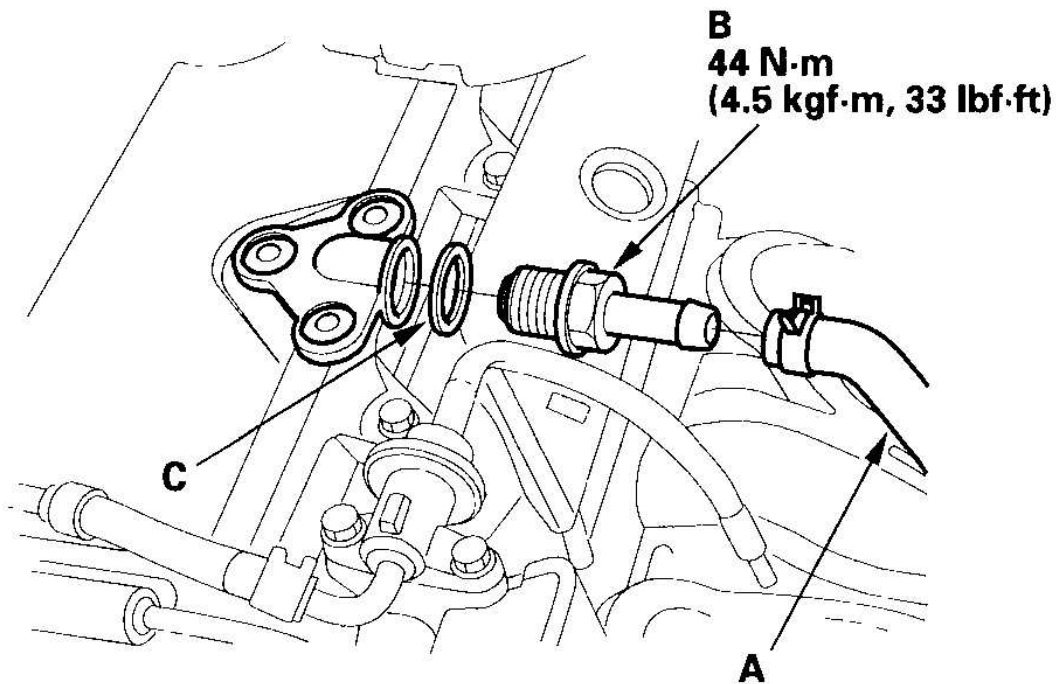
Fig. 4: Pinching Hose Between PCV Valve And Intake Manifold (2005-2006 Models)

Courtesy of AMERICAN HONDA MOTOR CO., INC.

PCV VALVE REPLACEMENT

2005-2006 MODELS

1. Remove the engine cover.
2. Remove the PCV hose (A).



G03681112

Fig. 5: Removing PCV Valve And Torque Specifications
Courtesy of AMERICAN HONDA MOTOR CO., INC.

3. Remove the PCV valve (B).
4. Install the PCV valve in the reverse order of removal with a new washer (C).