

2000-06 ACCESORIES & EQUIPMENT

Hatch - Insight

ADJUSTMENT

1. Remove the support strut from each side.
2. Slightly loosen each bolt and nut.
3. Adjust the hatch alignment:
 - Remove the headliner (see **HEADLINER REMOVAL/INSTALLATION**). Take care not to bend the headliner excessively. Adjust the hatch hinges (A) right and left, as well as forward and rearward, using the elongated holes.
 - Adjust the fit between the hatch and hatch opening by moving the striker (B), and move the striker right or left until it's centered in the hatch latch (C).

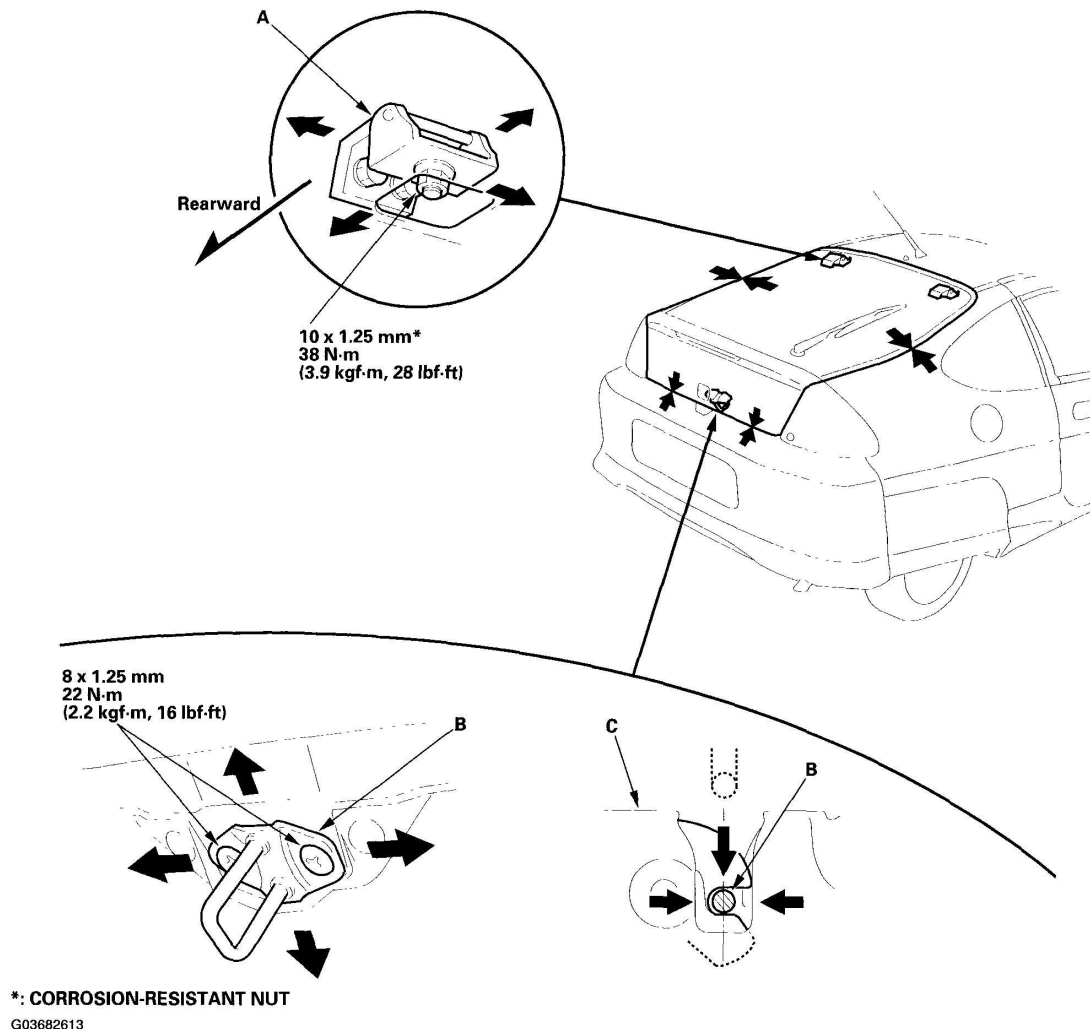
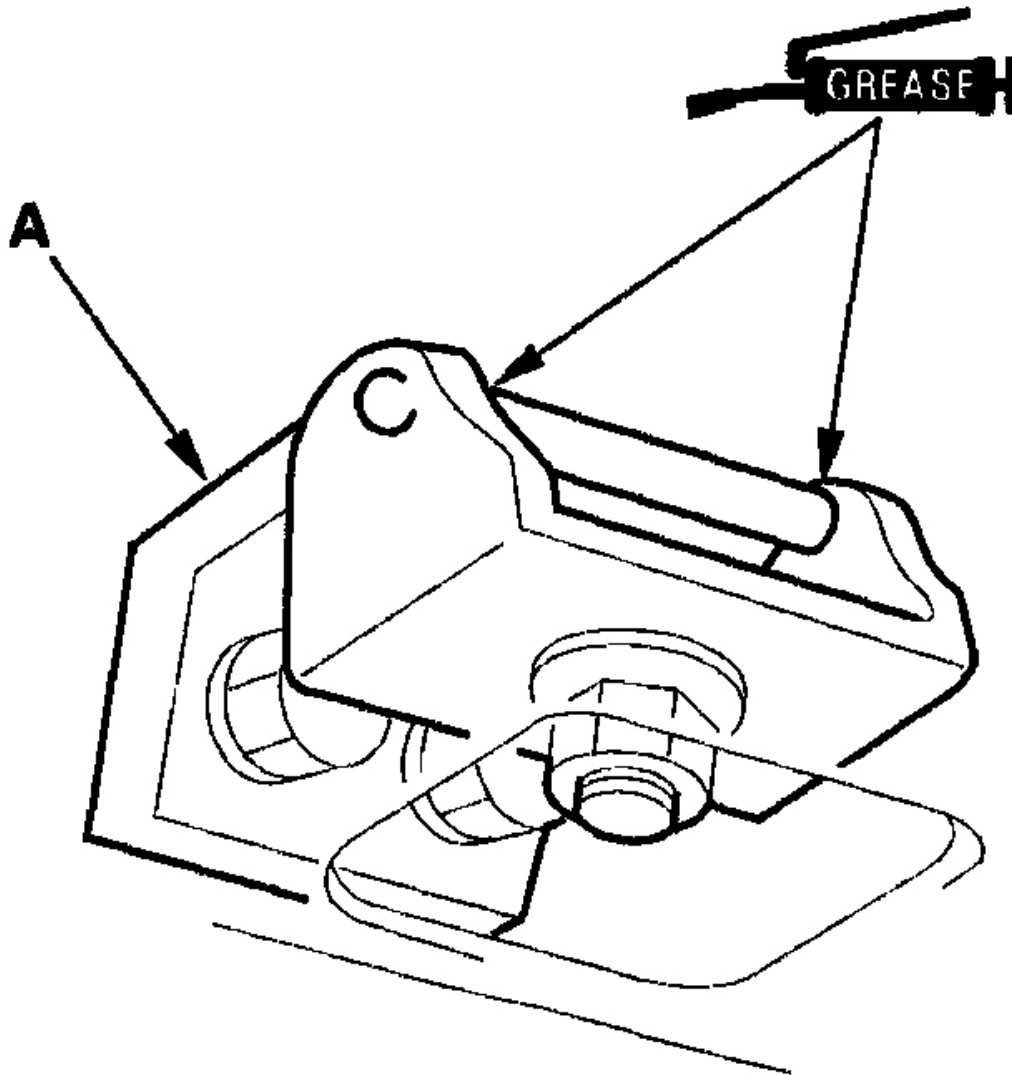


Fig. 1: Adjusting The Fit Between The Hatch & Hatch Opening With Torque Specifications
Courtesy of AMERICAN HONDA MOTOR CO., INC.

4. Tighten each bolt and nut securely.
5. Check that the hatch opens properly and locks securely.
6. Reinstall the support struts securely.
7. Apply touch-up paint around the hinges.
8. Apply multipurpose grease to the pivot portion of the hatch hinges (A) as indicated by the arrows.



G03682614

Fig. 2: Applying Multipurpose Grease To Pivot Portion Of Hatch Hinges
Courtesy of AMERICAN HONDA MOTOR CO., INC.

HATCH SUPPORT STRUT REPLACEMENT

Special Tools Required

KTC trim tool set SOJATP2014 *

* Available through the American Honda Tool and Equipment Program; call 888-424-6857

NOTE:

- **Have an assistant help you remove and install the support strut.**
- **Take care not to scratch the hatch and body.**
- **Use the appropriate tool from the KTC trim tool set to avoid damage when prying components.**

1. Remove the hatch support strut as shown.
2. Install the hatch support strut in the reverse order of removal, and first install the pivot bolt on the hatch.

2006 Honda Insight

2000-06 ACCESORIES & EQUIPMENT Hatch - Insight

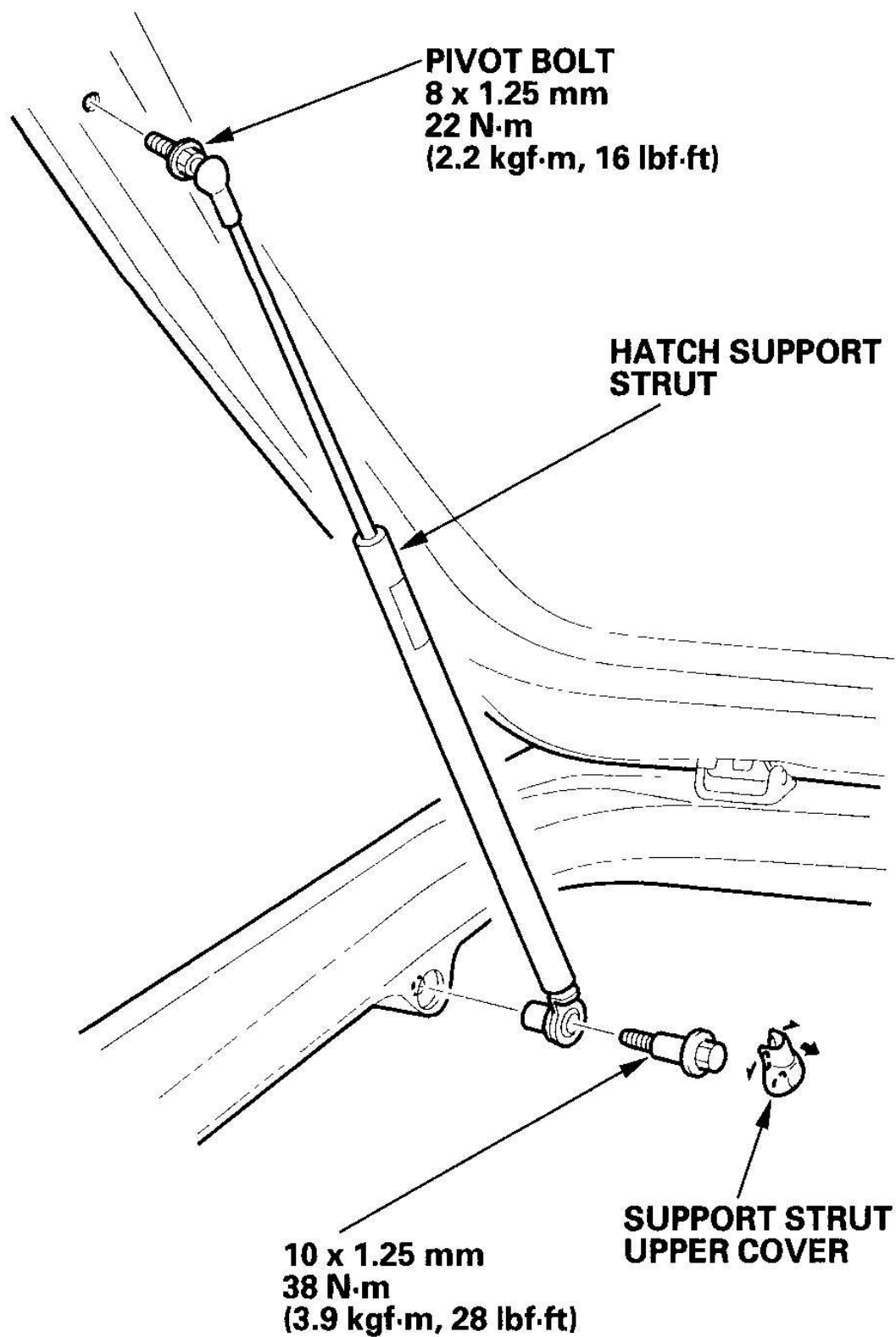
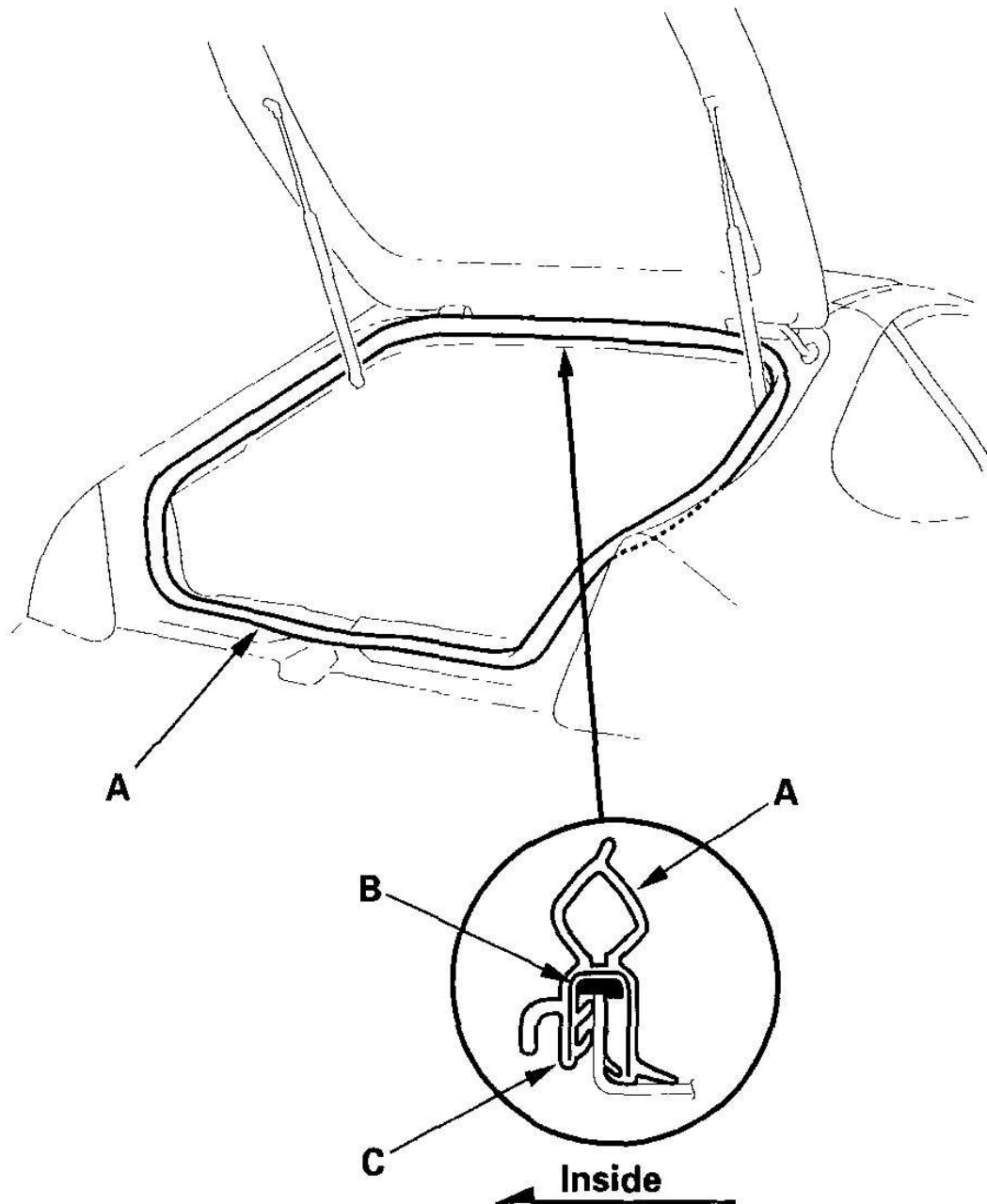


Fig. 3: Installing Hatch Support Strut And Torque Specifications
Courtesy of AMERICAN HONDA MOTOR CO., INC.

HATCH WEATHERSTRIP REPLACEMENT

1. Remove the hatch support strut from each side of the body (see **HATCH SUPPORT STRUT REPLACEMENT**).
2. Remove the hatch weatherstrip (A) by pulling it off.



G03682616

Fig. 4: Removing Hatch Weatherstrip
Courtesy of AMERICAN HONDA MOTOR CO., INC.

3. Apply clear sealant (B) into the groove of the hatch weatherstrip all the way

around.

Sealant: Cemedine P/N 08712-0004, or equivalent

4. Locate the painted alignment mark (C) on the hatch weatherstrip. Align the painted mark with the alignment tab in the center of the hatch opening, and install the weatherstrip all the way around in the direction shown. Make sure there are no wrinkles in the weatherstrip.
5. Reinstall the hatch support struts.
6. Check for water leaks.