

2006 Honda Insight

2000-06 ELECTRICAL Fuse/Relay Boxes - Insight

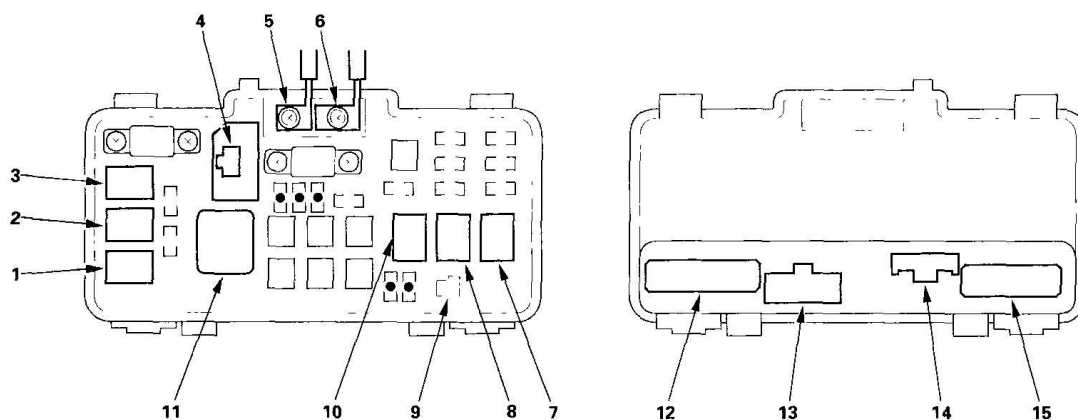
2000-06 ELECTRICAL**Fuse/Relay Boxes - Insight****CONNECTOR TO FUSE/RELAY BOX INDEX****UNDER-HOOD FUSE/RELAY BOX****FUSE/RELAY BOX INDEX**

Socket	Ref	Terminal	Connects to
A	15	18	Engine compartment wire harness (see <u>ENGINE COMPARTMENT WIRE HARNESS (LEFT BRANCH)</u>)
A/C compressor clutch relay	3	4	
A/C condenser fan relay	1	4	
B	14	7	Engine compartment wire harness (see <u>ENGINE COMPARTMENT WIRE HARNESS (LEFT BRANCH)</u>)
Blower motor relay	11	4	
C	13	3	Engine compartment wire harness (see <u>ENGINE COMPARTMENT WIRE HARNESS (LEFT BRANCH)</u>)
D	12	16	Engine compartment wire harness (see <u>ENGINE COMPARTMENT WIRE HARNESS (LEFT BRANCH)</u>)
Diode	9	2	Not used
ELD unit	4	3	Engine compartment wire harness (see <u>ENGINE COMPARTMENT WIRE HARNESS (LEFT BRANCH)</u>)
Horn relay	10	4	
Headlight relay 1	7	4	

2006 Honda Insight

2000-06 ELECTRICAL Fuse/Relay Boxes - Insight

Headlight relay 2	8	4	
Radiator fan relay	2	4	
T1	6		Starter cable (see STARTER CABLE)
T101	5		DC-DC converter-driver's door wire harness (see DC-DC CONVERTER-DRIVER'S DOOR WIRE HARNESS)



G03682887

Fig. 1: Identifying Under-Hood Fuse/Relay Box
 Courtesy of AMERICAN HONDA MOTOR CO., INC.

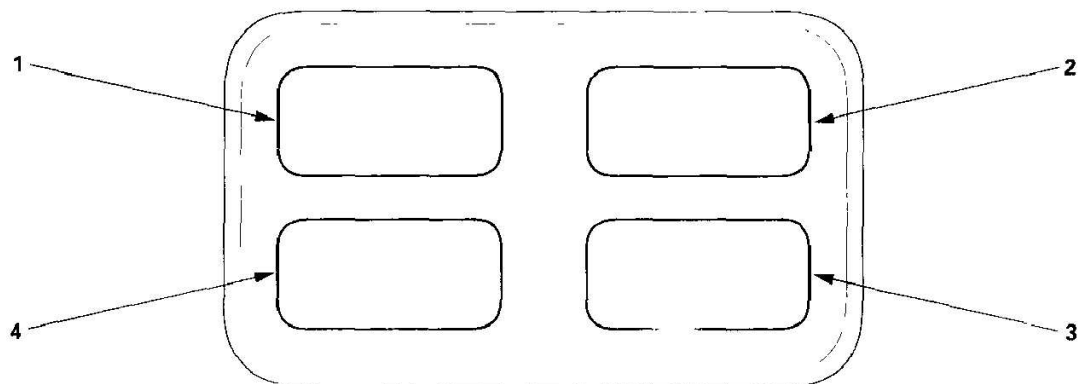
UNDER-HOOD MULTI-RELAY BOX

FUSE/RELAY BOX INDEX

Socket	Ref	Terminal	Connects to
Fan control relay	4	5	
PGM-FI main relay (fuel pump)	2	4	
Rear window defogger relay	1	4	
Windshield wiper intermittent relay	3	5	

2006 Honda Insight

2000-06 ELECTRICAL Fuse/Relay Boxes - Insight



G03682888

Fig. 2: Identifying Under-Hood Multi-Relay Box Relays
 Courtesy of AMERICAN HONDA MOTOR CO., INC.

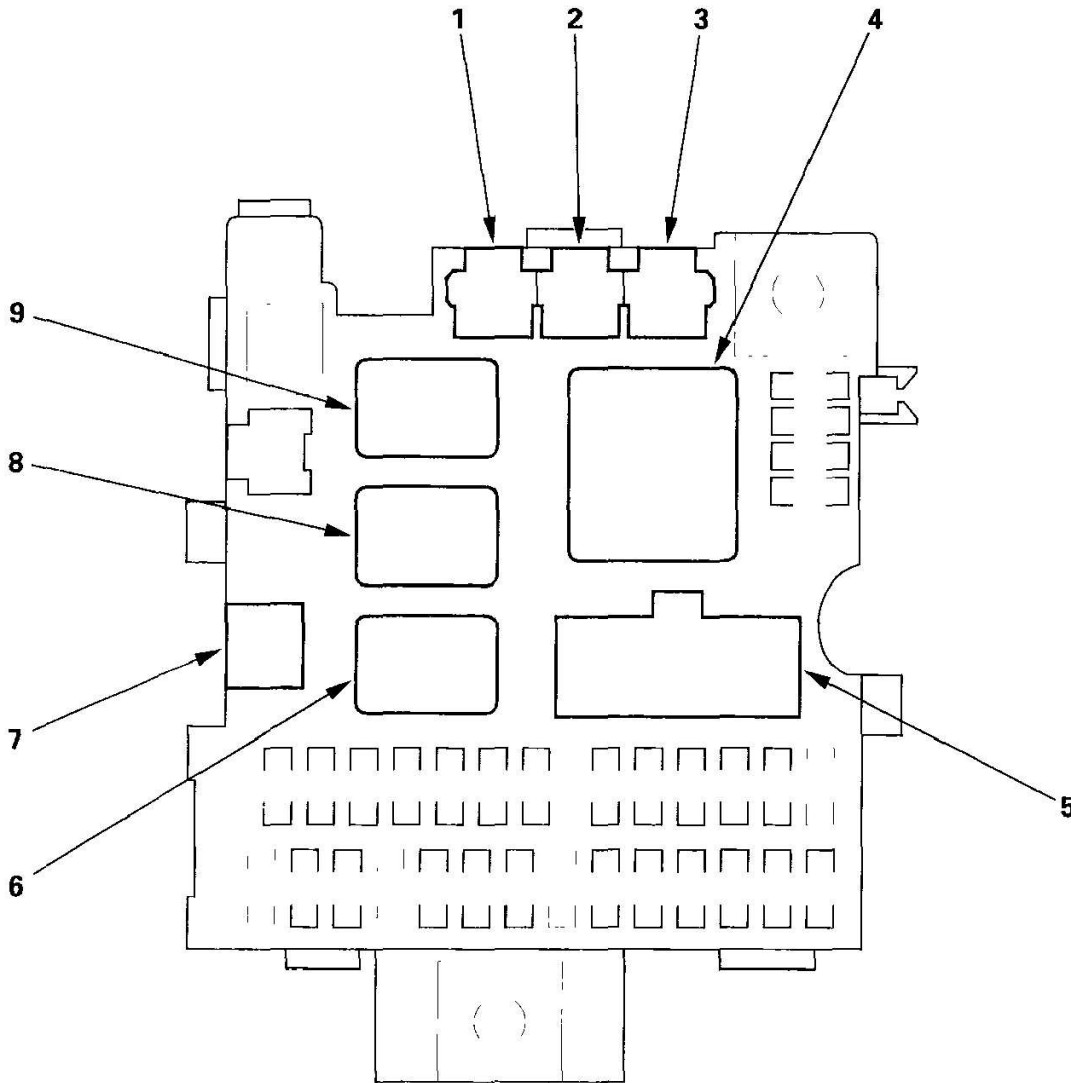
UNDER-DASH FUSE/RELAY BOX

FUSE/RELAY BOX INDEX

Socket	Ref	Terminal	Connects to
A	7	2	Floor wire harness (see FLOOR WIRE HARNESS)
B	5	7	Ignition switch lead (see IGNITION SWITCH LEAD)
C	1	1	Optional connector
D	2	1	Optional connector
E	2	1	Optional connector
Power window relay	6	4	
Starter cut relay	8	4	
Taillight relay	9	4	
Turn signal/hazard relay	4	3	

2006 Honda Insight

2000-06 ELECTRICAL Fuse/Relay Boxes - Insight



G03682889

Fig. 3: Identifying Under-Dash Fuse/Relay Box Relays
Courtesy of AMERICAN HONDA MOTOR CO., INC.