

2000-06 ACCESSORIES & EQUIPMENT

Dashboard - Insight

INSTRUMENT PANEL REMOVAL/INSTALLATION

Special Tools Required

KTC trim tool set SOJATP2014 *

* Available through the American Honda Tool and Equipment Program; call 888-424-6857

SRS components are located in this area. Review the SRS component locations (see **COMPONENT LOCATION INDEX**) and the precautions and procedures (see **PRECAUTIONS AND PROCEDURES**) before performing repairs or service.

NOTE:

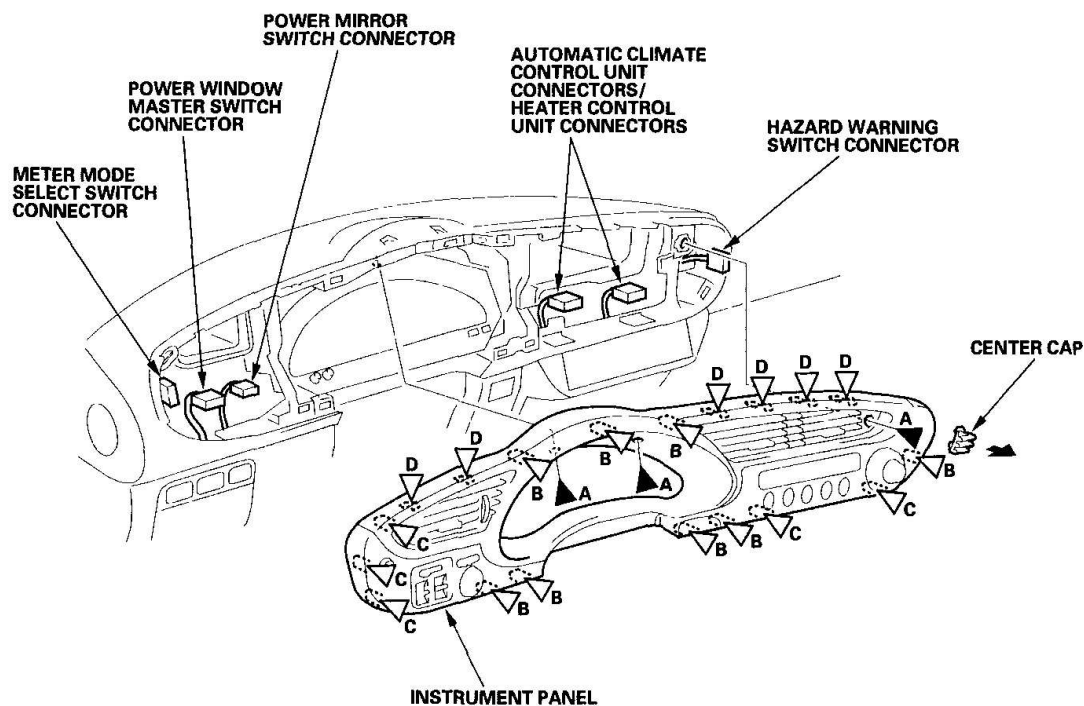
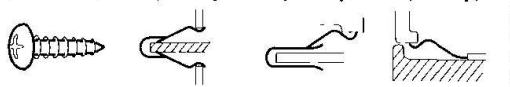
- Use the appropriate tool from the KTC trim tool set to avoid damage when prying components.
- Take care not to scratch the dashboard and related parts.

1. Make sure you have the anti-theft code for the radio, and then write down the audio presets.
2. Disconnect the negative cable from the battery, and wait at least 3 minutes before beginning work.
3. Remove driver's airbag, the steering wheel, and the steering column upper cover (see **STEERING COLUMN REMOVAL AND INSTALLATION**).
4. Remove the instrument panel as shown.
5. Install the instrument panel in the reverse order of removal, and note these items:
 - Replace any damaged clips.
 - Make sure the connectors are plugged in properly.
 - Push the clips into place securely.
 - Reconnect the negative cable to the battery.

- Enter the anti-theft code for the radio, then enter the audio presets.
- Reset the clock.
- Do the ECM idle learn procedure (see **ECM IDLE LEARN PROCEDURE**).

Fastener Locations

A ▶ : Screw, 3 B ▶ : Clip, 8 C ▶ : Clip, 5 D ▶ : Clip, 6



G03682596

Fig. 1: Removing Instrument Panel
 Courtesy of AMERICAN HONDA MOTOR CO., INC.

CENTER LOWER COVER REMOVAL/INSTALLATION

Special Tools Required

KTC trim tool set SOJATP2014 *

* Available through the American Honda Tool and Equipment Program; call 888-424-6857

NOTE:

- Use the appropriate tool from the KTC trim tool set to avoid damage when prying components.
- Take care not to scratch the dashboard and related parts.

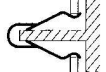
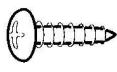
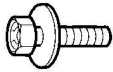
1. Remove the glove box (see **GLOVE BOX REMOVAL/INSTALLATION**).
2. Remove the center lower cover as shown.
3. Install the center lower cover in the reverse order of removal, and note these items:
 - Replace any damaged clips.
 - Make sure the connector is plugged in properly.
 - Push the clips into place securely.

2006 Honda Insight

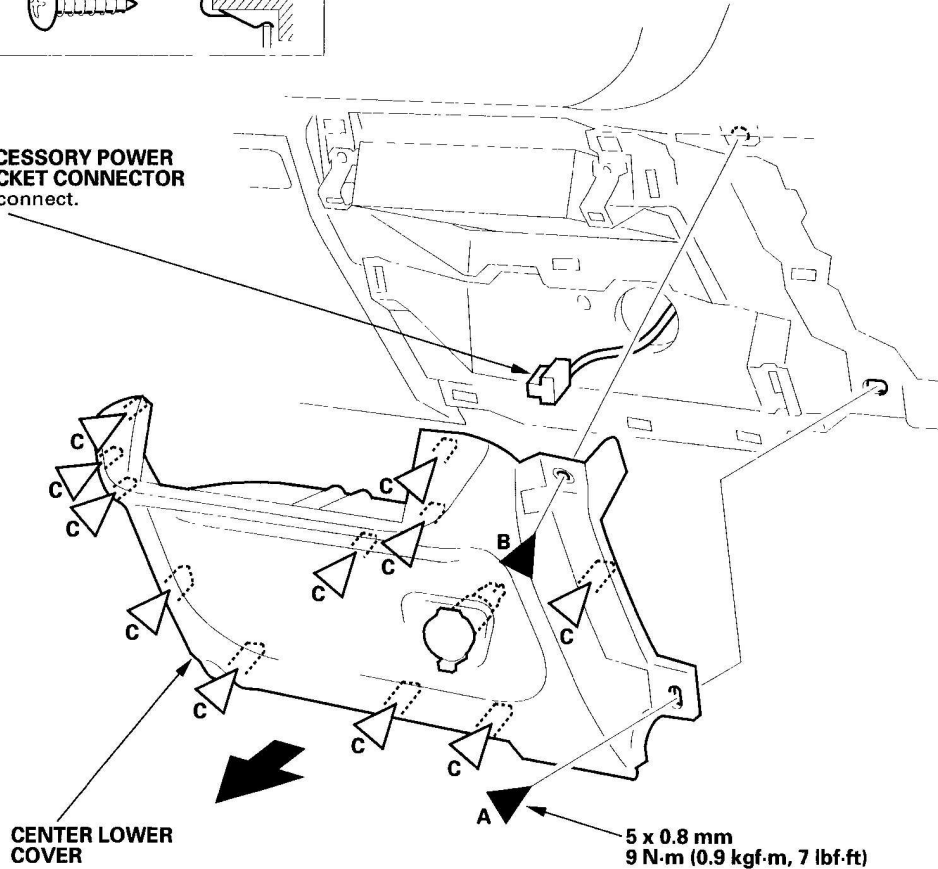
2000-06 ACCESSORIES & EQUIPMENT Dashboard - Insight

Fastener Locations

A ▶ : Bolt, 1 B ▶ : Screw, 1 C ▶ : Clip, 11



ACCESSORY POWER
SOCKET CONNECTOR
Disconnect.



G03682597

Fig. 2: Removing Center Lower Cover And Torque Specifications
Courtesy of AMERICAN HONDA MOTOR CO., INC.

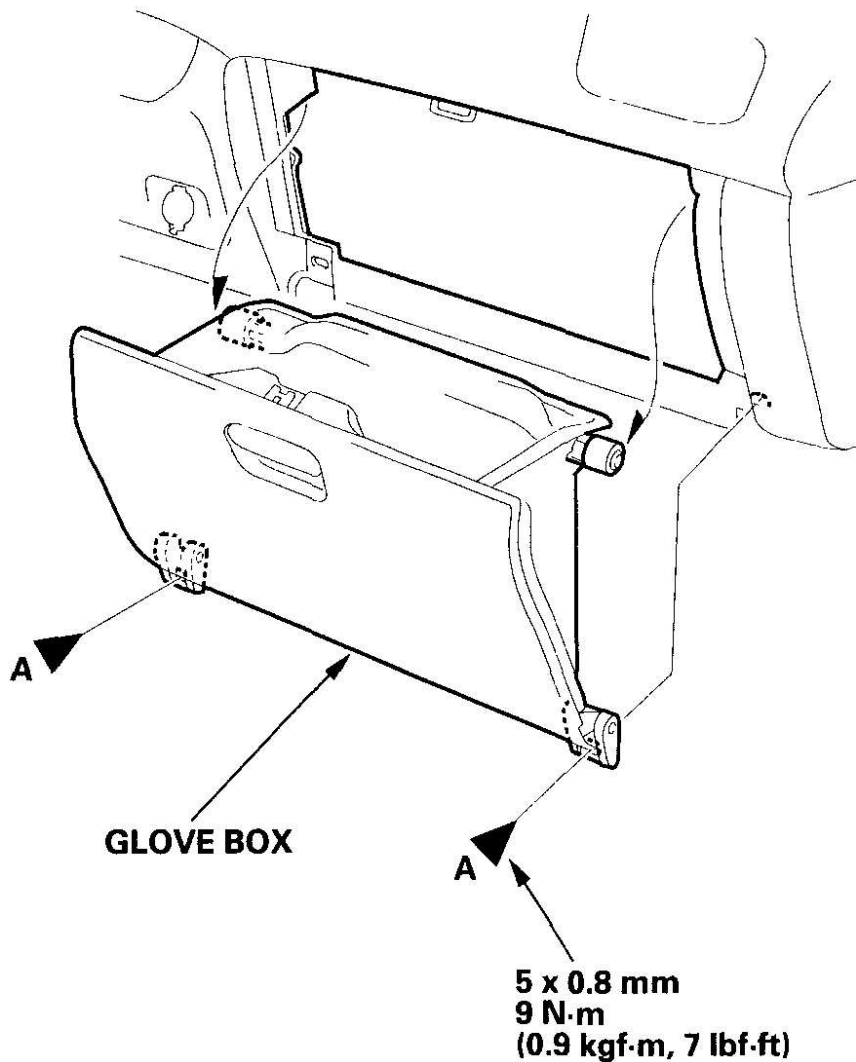
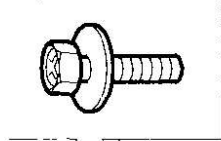
GLOVE BOX REMOVAL/INSTALLATION

NOTE: Take care not to scratch the dashboard and related parts.

1. Remove the glove box as shown.
2. Install the glove box in the reverse order of removal.

Fastener Locations

A ► : Bolt, 2



G03682598

Fig. 3: Removing Glove Box And Torque Specifications
Courtesy of AMERICAN HONDA MOTOR CO., INC.

PASSENGER'S SIDE VENT REMOVAL/ INSTALLATION

Special Tools Required

KTC trim tool set SOJATP2014 *

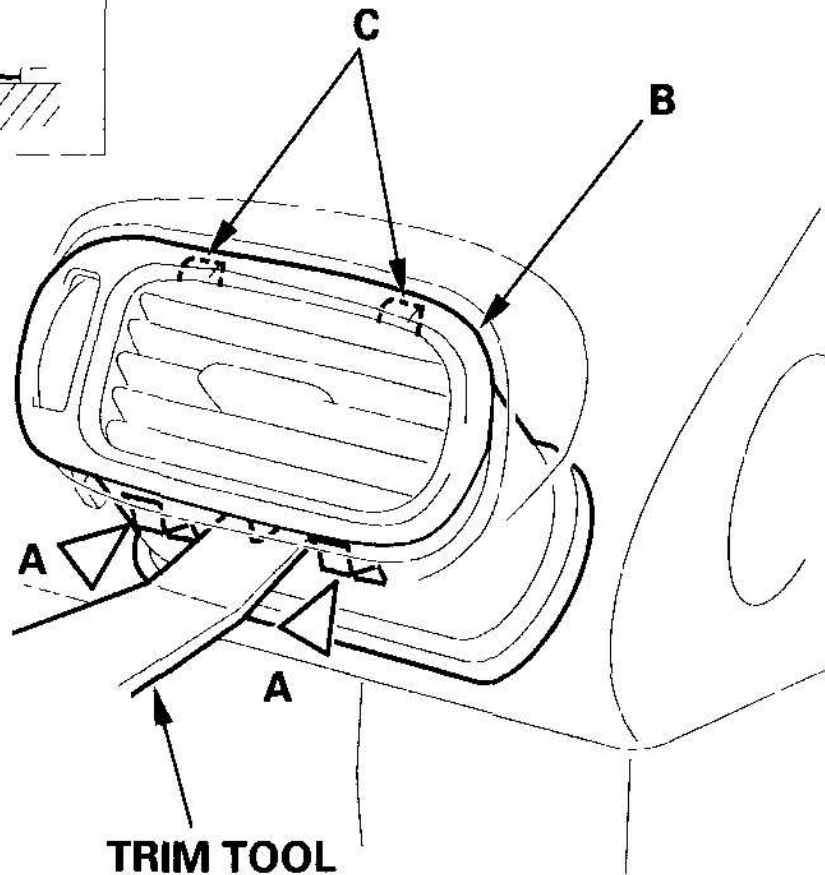
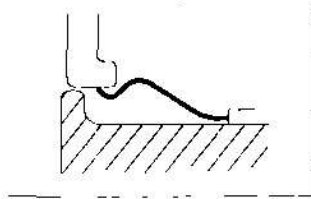
* Available through the American Honda Tool and Equipment Program; call 888-424-6857

NOTE: Use the appropriate tool from the KTC trim tool set to avoid damage when prying components.

1. Carefully insert a trim tool next to the clip (A), and detach the clips by prying on the passenger's side vent (B). Take care not to scratch the dashboard and related parts.

Fastener Locations

A ▷ : Clip, 2



G03682599

Fig. 4: Removing Passenger's Side Vent
Courtesy of AMERICAN HONDA MOTOR CO., INC.

2. Remove the vent by releasing the hooks (C).
3. Reinstall the hook portions of the vent first, then push the clip portions into place securely.

Special Tools Required

KTC trim tool set SOJATP2014 *

* Available through the American Honda Tool and Equipment Program; call 888-424-6857

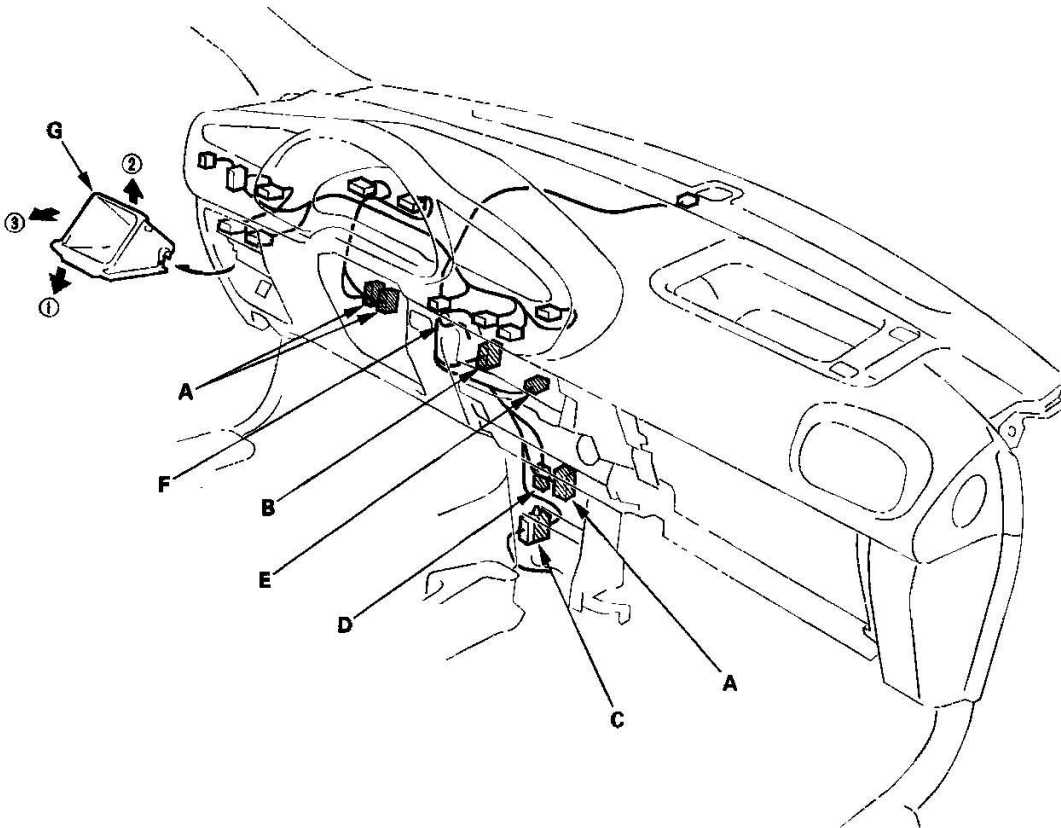
SRS components are located in this area. Review the SRS component locations (see **COMPONENT LOCATION INDEX**) and the precautions and procedures (see **PRECAUTIONS AND PROCEDURES**) before performing repairs or service.

NOTE:

- Use the appropriate tool from the KTC trim tool set to avoid damage when prying components.
- Have an assistant help you remove and install the dashboard.
- Take care not to scratch the dashboard, body, and other related parts.
- Put on gloves to protect your hands.

1. Make sure you have the anti-theft code for the radio, and then write down the audio presets.
2. Disconnect the negative cable from the battery, and wait at least 3 minutes before beginning work.
3. Remove these items:
 - Front console (see **FRONT CONSOLE REMOVAL/INSTALLATION**)
 - Center lower cover (see **CENTER LOWER COVER REMOVAL/INSTALLATION**)
 - Audio unit (see **AUDIO UNIT REMOVAL**)
 - Steering column (see **STEERING COLUMN REMOVAL AND INSTALLATION**)
 - Passenger's airbag (see **PASSENGER'S AIRBAG REPLACEMENT**)
 - A-pillar trim, both sides (see **TRIM REMOVAL/INSTALLATION - DOOR AREAS**)

4. Disconnect the steering beam wire harness connectors (A), main wire harness connector (B), floor wire harness connector (C), water temperature sensor connector (D), mode motor connector (E), and air hose (if equipped) (F).



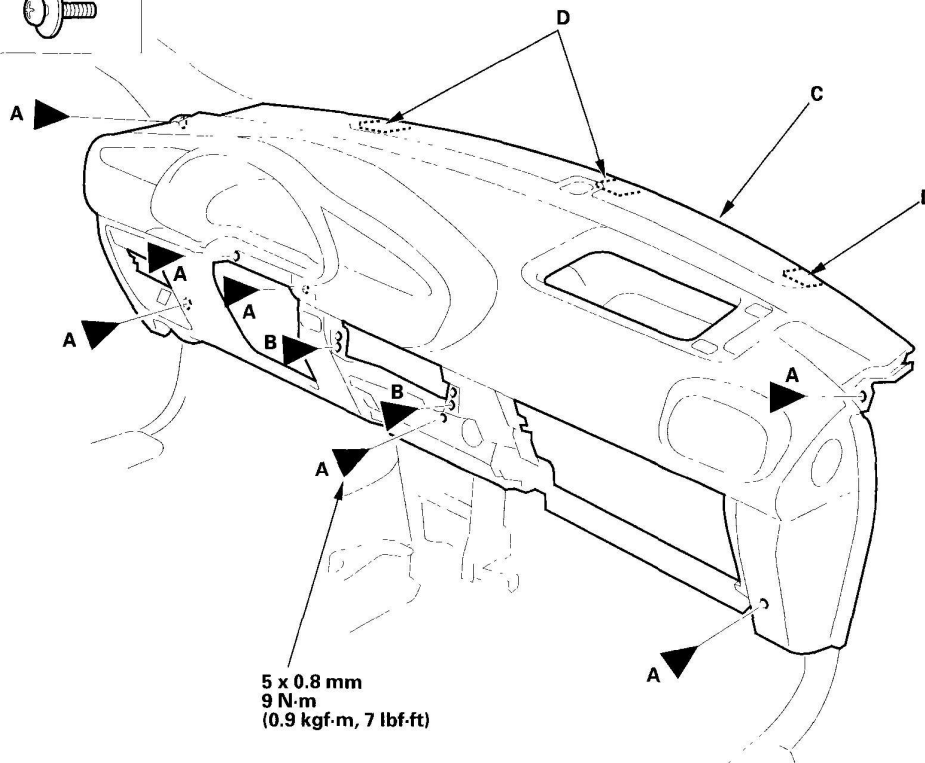
G03682600

Fig. 5: Disconnecting Wire Harness Connectors
Courtesy of AMERICAN HONDA MOTOR CO., INC.

5. Detach all of the harness and connector clips.
6. Remove the driver's pocket (G).
7. Remove the bolts (A) and screws (B), and lift up on the dashboard (C) to release it from the dashboard holders (body side) (D). Take care not to scratch the shift knob, seats, and interior parts.

Fastener Locations

A ▶ : Bolt, 7 B ▶ : Screw, 2



G03682601

Fig. 6: Removing Dashboard And Torque Specifications
Courtesy of AMERICAN HONDA MOTOR CO., INC.

8. Carefully remove the dashboard through the door opening.
9. Install the dashboard in the reverse order of removal, and note these items:
 - Make sure the dashboard fits onto the dashboard holders correctly.
 - Before tightening the bolts, make sure the dashboard wire harness and steering beam wire harness are not pinched.
 - Make sure the connectors are plugged in properly.
 - Reconnect the negative cable to the battery.
 - Enter the anti-theft code for the radio, then enter the audio presets.
 - Reset the clock.
 - Do the ECM idle learn procedure (see **ECM IDLE LEARN**

2006 Honda Insight

2000-06 ACCESSORIES & EQUIPMENT Dashboard - Insight

PROCEDURE).