

2000-06 ACCESSORIES & EQUIPMENT

Consoles - Insight

FRONT CONSOLE REMOVAL/INSTALLATION

NOTE:

- **Use a clip remover to remove the clips.**
- **Take care not to scratch the seats, dashboard, and related parts.**
- **Remove the shift knob by turning it counterclockwise.**

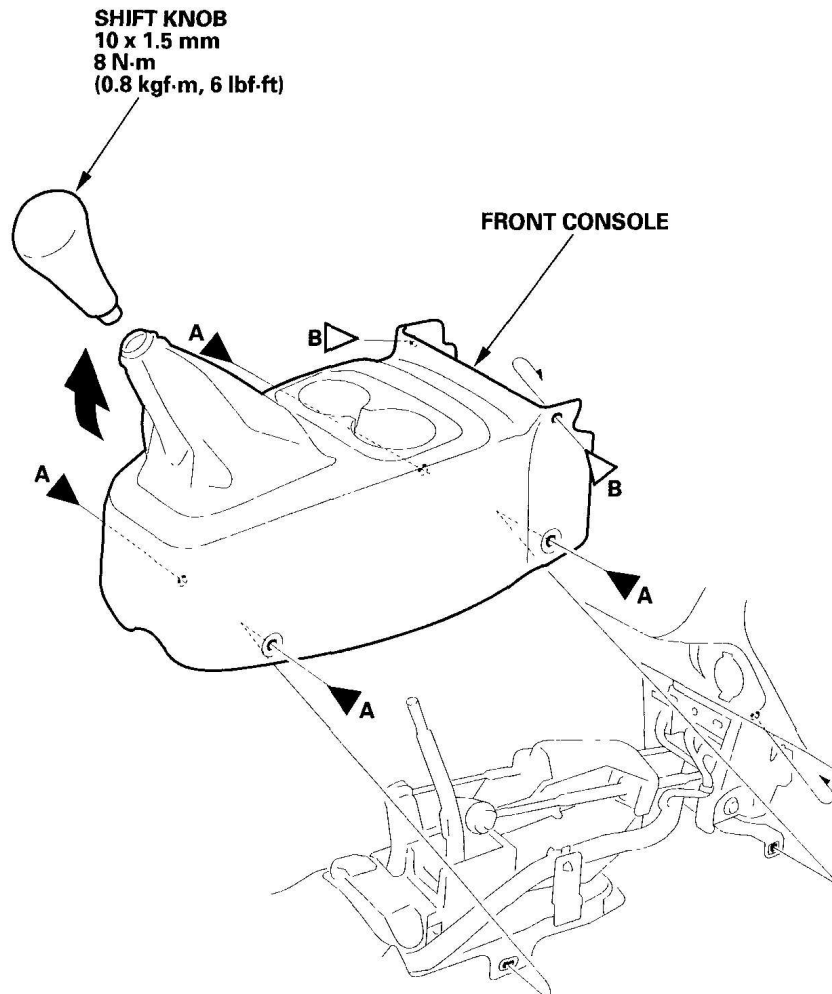
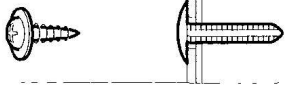
1. Remove the front console as shown.
2. Install the front console in the reverse order of removal, and check for damaged or stress-whitened clips, and replace them with new ones.

2006 Honda Insight

2000-06 ACCESSORIES & EQUIPMENT Consoles - Insight

Fastener Locations

A ▶ : Screw, 4 B ▶ : Clip, 2



G03682594

Fig. 1: Removing Front Console
Courtesy of AMERICAN HONDA MOTOR CO., INC.

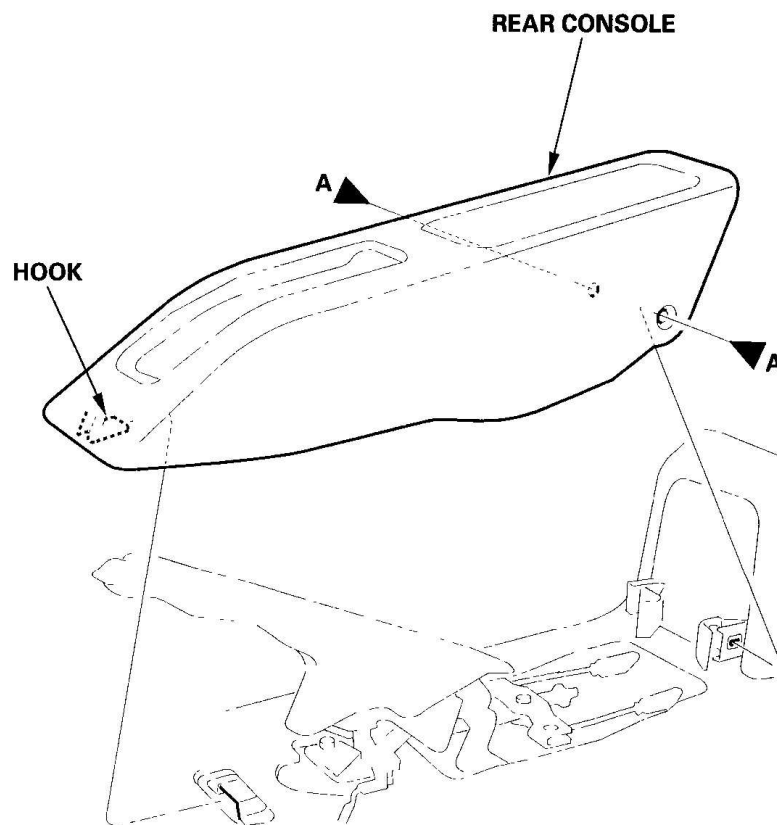
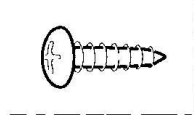
REAR CONSOLE REMOVAL/INSTALLATION

NOTE: Take care not to scratch the seats and related parts.

1. Remove the rear console as shown.
2. Install the rear console in the reverse order of removal.

Fastener Locations

A ▶ : Screw, 2



G03682595

Fig. 2: Removing Rear Console
Courtesy of AMERICAN HONDA MOTOR CO., INC.