

2006 Honda Insight

CABIN AIR FILTERS Dust & Pollen Filter - Insight

CABIN AIR FILTERS

Dust & Pollen Filter - Insight

REMOVAL & INSTALLATION

NOTE: Manufacturer's terminology for this filter is **A/C Filter or Dust And Pollen Filter.**

CABIN AIR FILTER

Removal & Installation, Models With Heater

1. Remove the filter lid from the heater duct, then remove the dust and pollen filter housing by pulling it down. See **Fig. 1**.

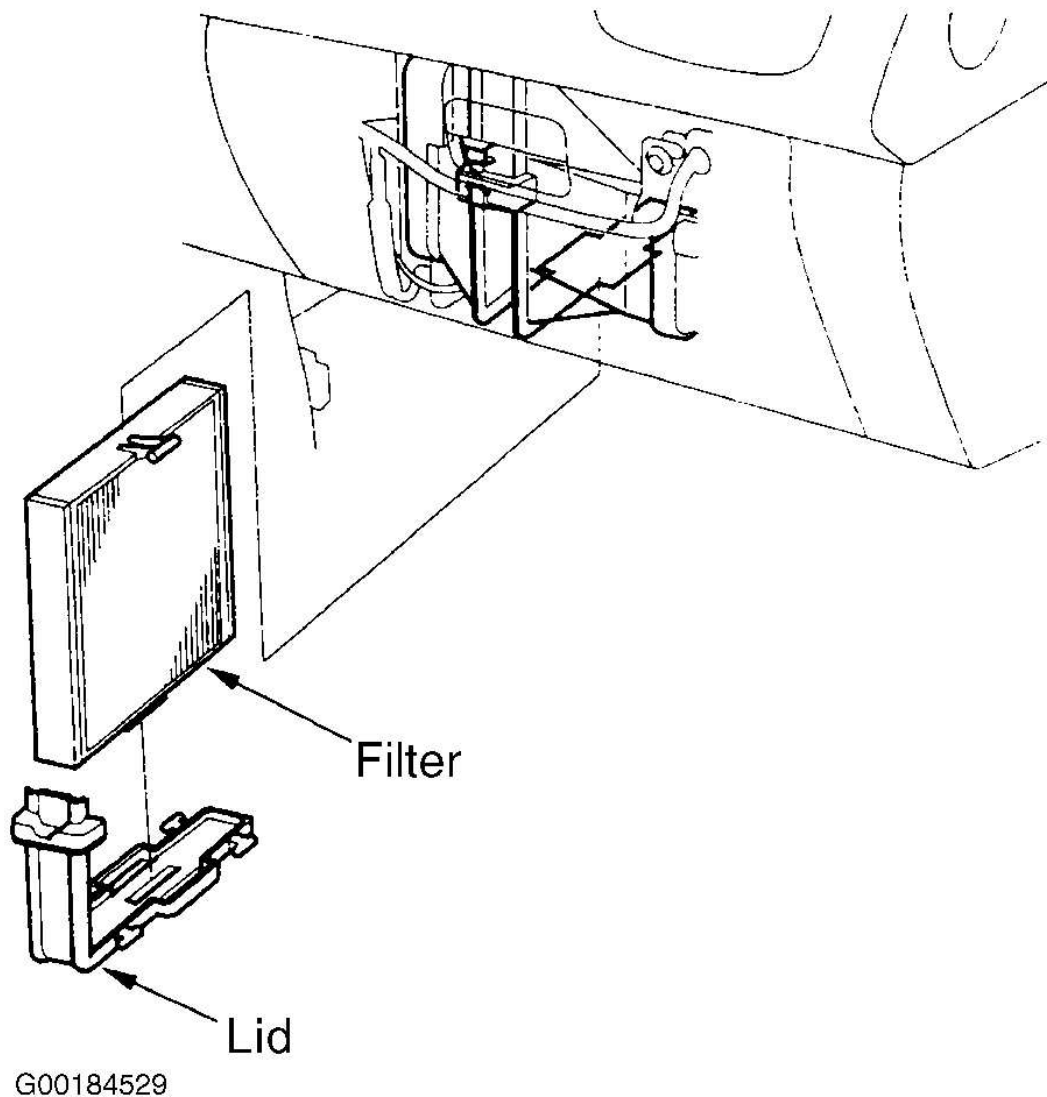
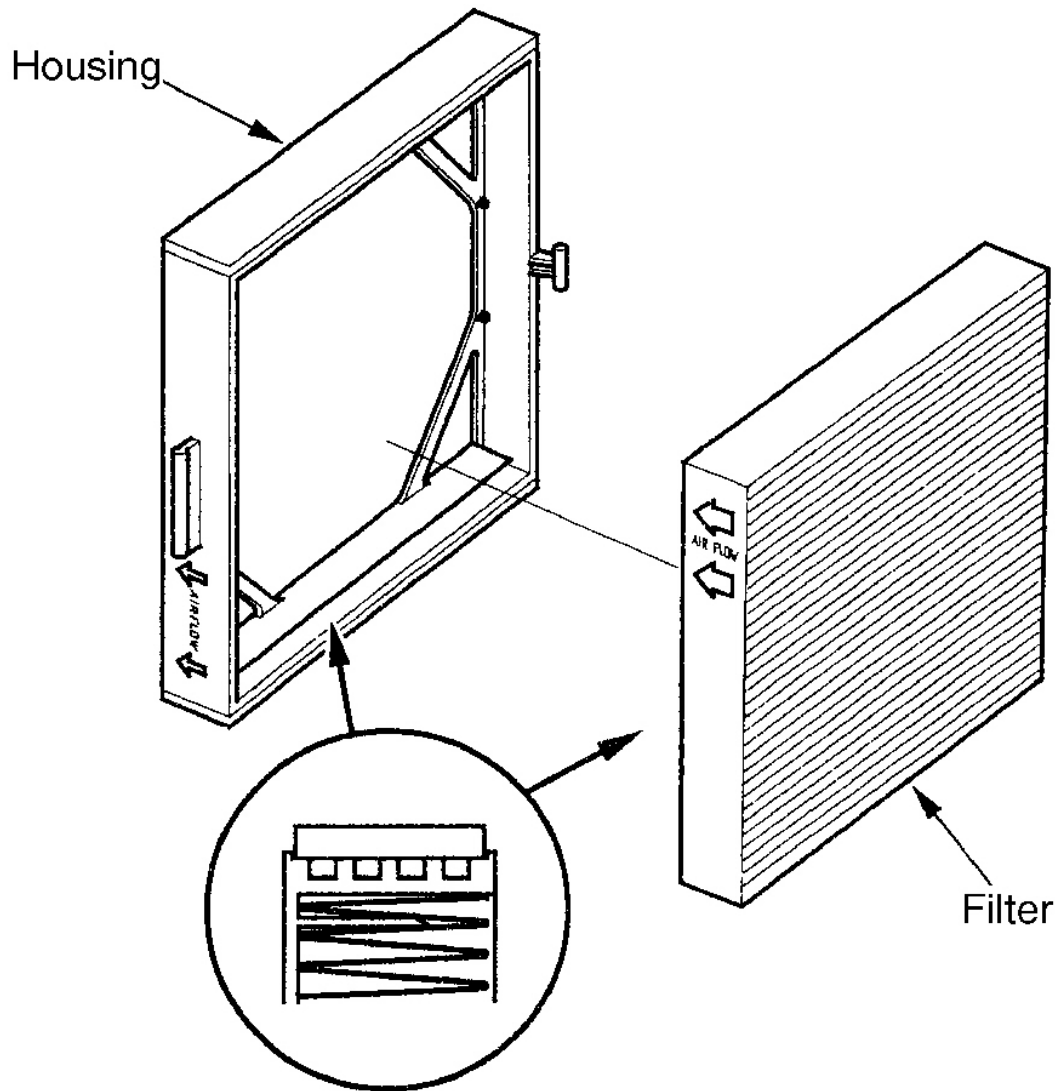


Fig. 1: Removing Filter Housing

Courtesy of AMERICAN HONDA MOTOR CO., INC.

2. Remove the filter from the housing and replace the filter. See **Fig. 2**.
3. To install filter, reverse removal procedure. If filter is marked, note direction of air flow arrows on edge of filter for assembly reference. See **Fig. 2**.

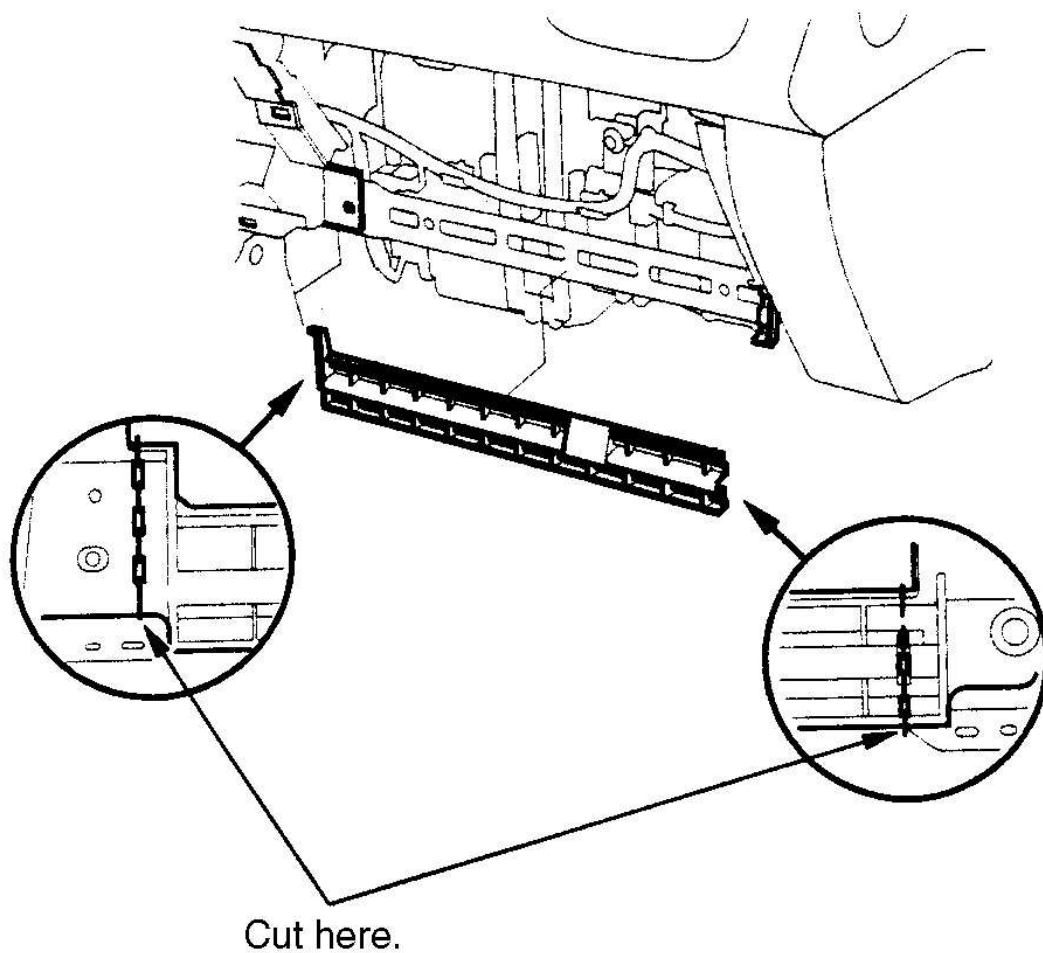


G00206675

Fig. 2: Removing Filter From Housing
Courtesy of AMERICAN HONDA MOTOR CO., INC.

Removal & Installation, Models With A/C

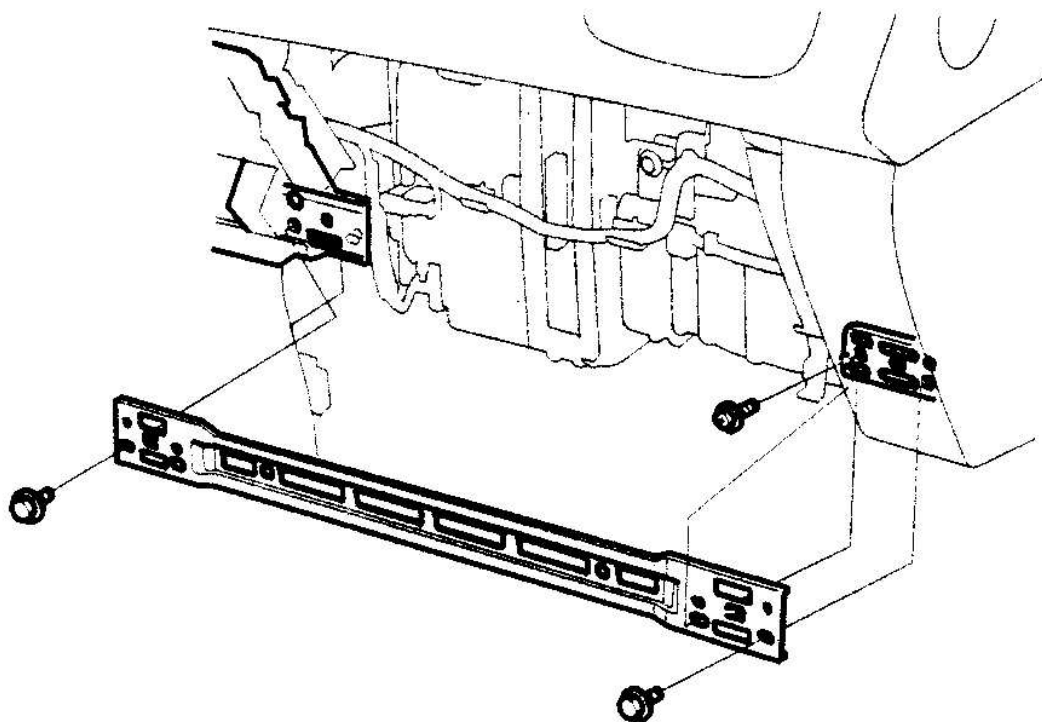
1. Remove the glove box and the center lower cover. See **GLOVE BOX** and **CENTER LOWER COVER**.
2. Cut the plastic cross brace in the glove box opening with diagonal cutters in the area shown, and discard it. See **Fig. 3**.



G00401646

Fig. 3: Cutting Plastic Cross Brace
Courtesy of AMERICAN HONDA MOTOR CO., INC.

3. Remove the bolts and the glove box frame. See **Fig. 4**.



G00401650

Fig. 4: Removing Glove Box Frame

Courtesy of AMERICAN HONDA MOTOR CO., INC.

4. Remove the filter lid (A) from the evaporator, then remove the dust and pollen filter (B) by pulling it. See **Fig. 5**.

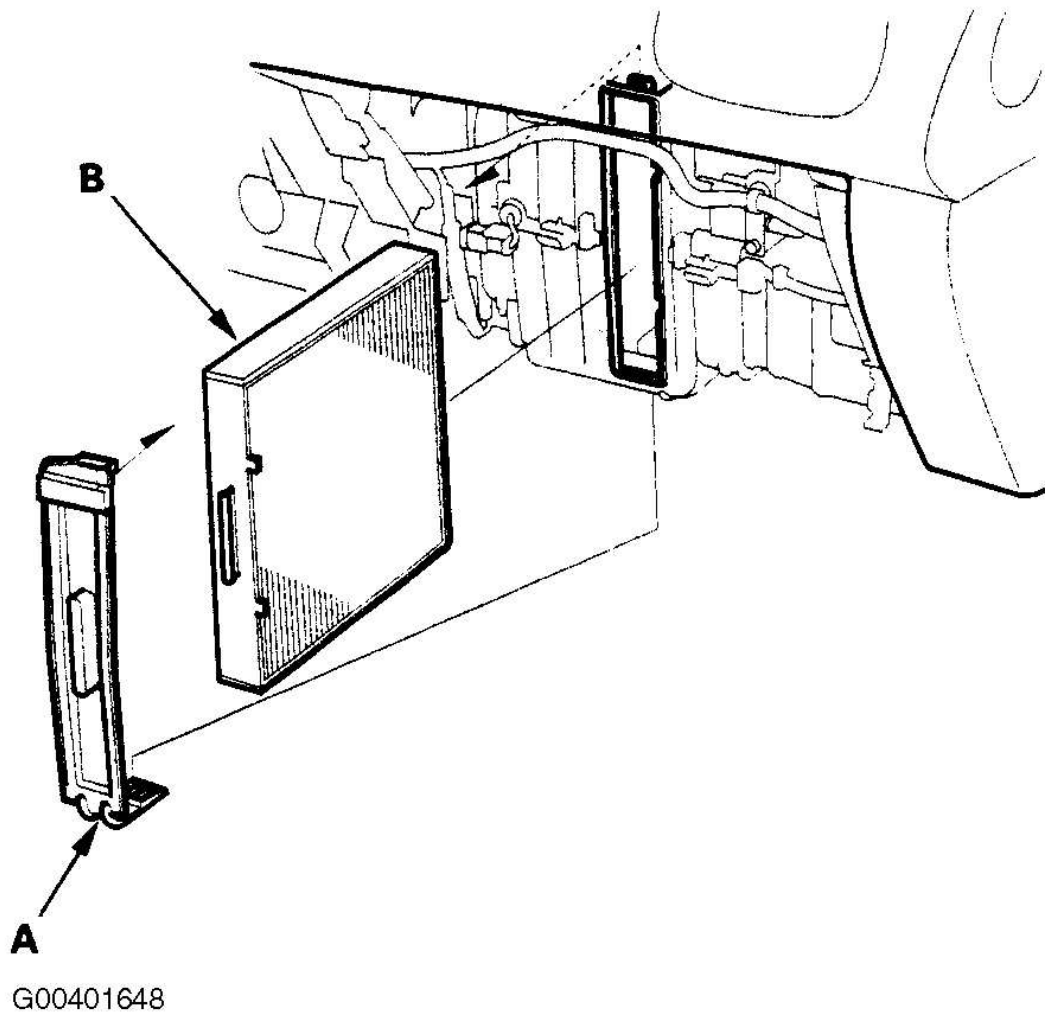
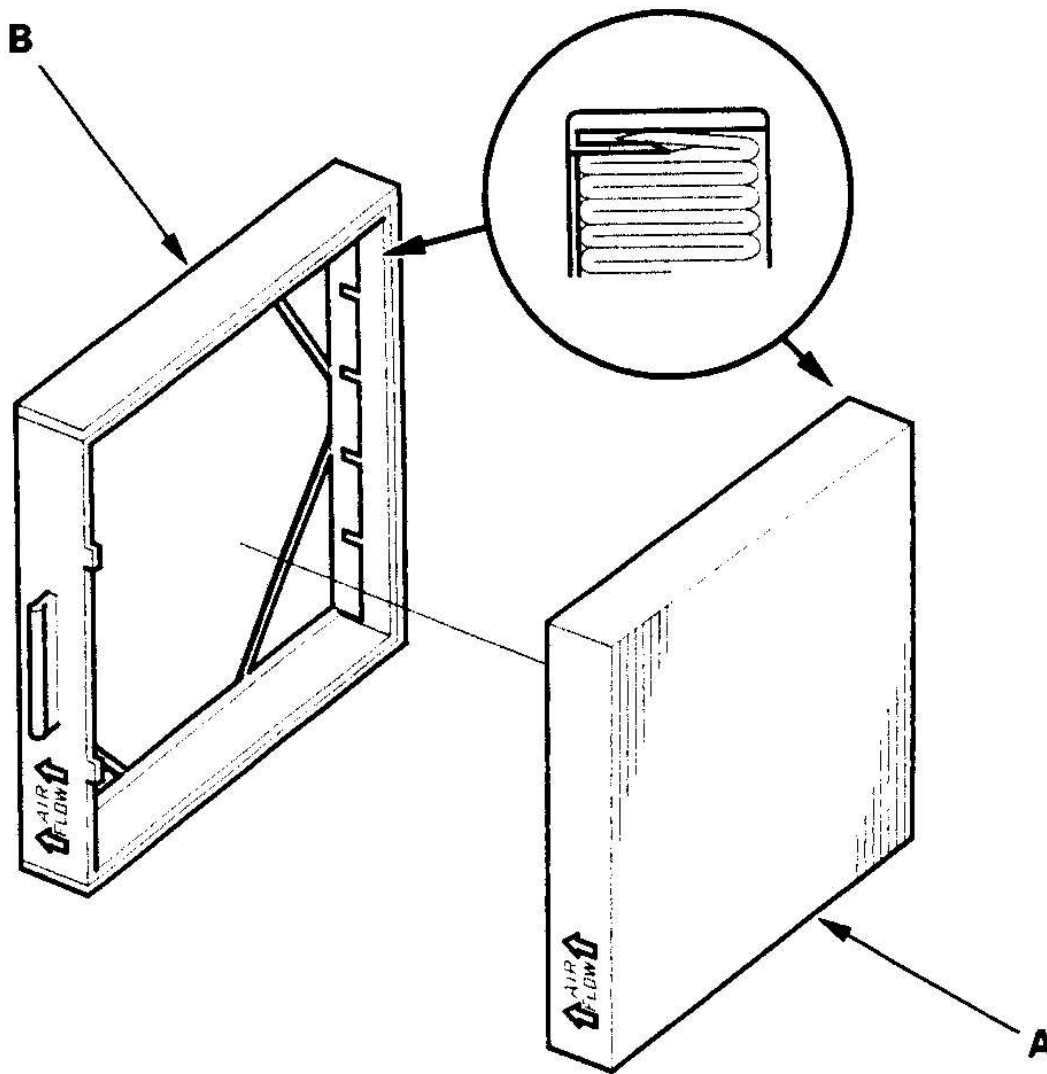


Fig. 5: Removing Dust And Pollen Filter Lid (A) From The Evaporator Housing (With A/C)

Courtesy of AMERICAN HONDA MOTOR CO., INC.

5. Remove the filter (A) from the housing (B), and replace the filter. See **Fig. 6**. Install the filter in the reverse order of removal.



G00401649

Fig. 6: Removing Dust And Pollen Filter From Housing (With A/C)
Courtesy of AMERICAN HONDA MOTOR CO., INC.

GLOVE BOX

Removal & Installation (2000-2006)

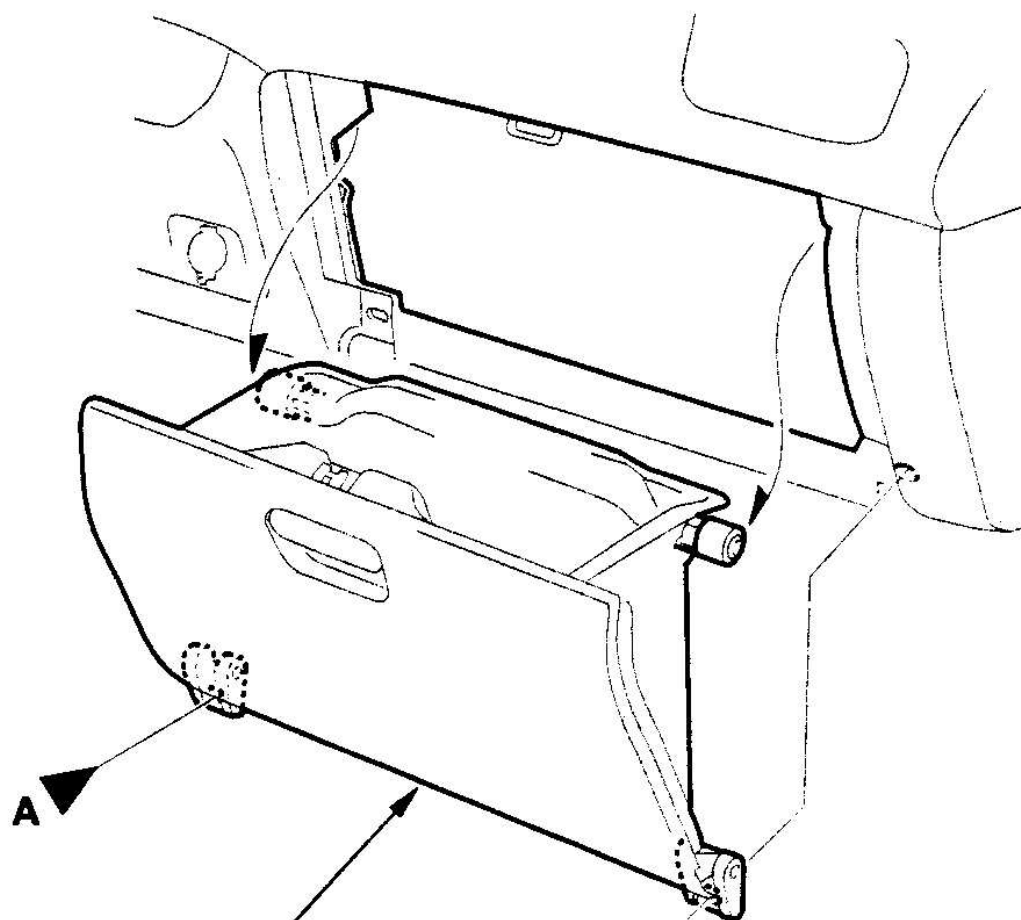
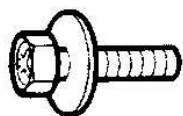
Remove the glove box as shown. See **Fig. 7**. Install the glove box in the reverse order of removal.

2006 Honda Insight

CABIN AIR FILTERS Dust & Pollen Filter - Insight

Fastener Locations

A ▶ : Bolt, 2



GLOVE BOX

5 x 0.8 mm
9 N·m
(0.9 kgf·m, 7 lbf·ft)

Fig. 7: Removing Glove Box (With A/C)
Courtesy of AMERICAN HONDA MOTOR CO., INC.

CENTER LOWER COVER

Removal & Installation (2000-2006)

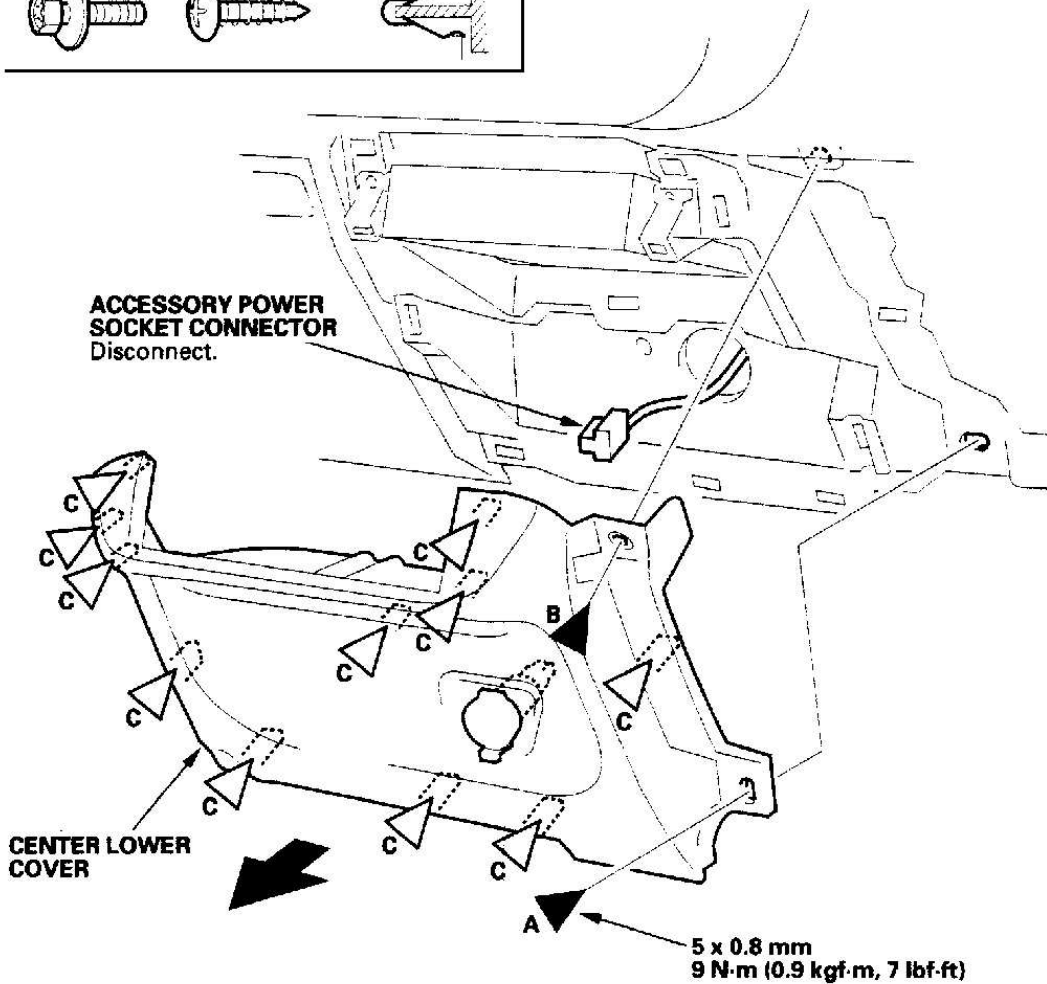
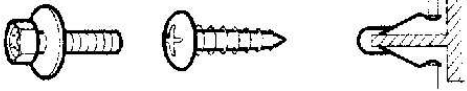
1. Remove the glove box.
2. Remove the center lower cover as shown in **Fig. 8**. Install the center lower cover in the reverse order of removal, and note these items: Replace any damaged clips. Make sure the connector is plugged in properly. Push the clips into place securely.

2006 Honda Insight

CABIN AIR FILTERS Dust & Pollen Filter - Insight

Fastener Locations

A ▶ : Bolt, 1 B ▶ : Screw, 1 C ▷ : Clip, 11



G00401652

Fig. 8: Removing Center Lower Cover (With A/C)
Courtesy of AMERICAN HONDA MOTOR CO., INC.