

2000-06 ELECTRICAL**Body Electrical - Insight****SUPPLEMENTAL RESTRAINT SYSTEM (SRS) (IF BODY MAINTENANCE IS REQUIRED)**

The Insight SRS includes a driver's airbag in the steering wheel hub, a passenger's airbag in the dashboard above the glove box, and seat belt tensioners in the seat belt retractors. Information necessary to safely service the SRS is included in this Service Manual. Items marked with an asterisk (*) on the contents page include or are located near SRS components. Servicing, disassembling or replacing these items require special precautions and tools, and should be done by an authorized Honda dealer.

- To avoid rendering the SRS inoperative, which could lead to personal injury or death in the event of a severe frontal collision, all SRS service work must be performed by an authorized Honda dealer.
- Improper service procedures, including incorrect removal and installation of the SRS, could lead to personal injury caused by unintentional deployment of the airbags and/or seat belt tensioners.
- Do not bump or impact the SRS unit, front impact sensors when the ignition switch is ON (II), or for at least 3 minutes after the ignition switch is turned OFF; otherwise, the system may fail in a collision, or the airbags may deploy.
- SRS electrical wiring harnesses are identified by yellow color coding. Related components are located in the steering column, console, dashboard, dashboard lower panel and in the dashboard above the glove box. Do not use electrical test equipment on these circuits.

INTEGRATED MOTOR ASSIST (IMA) SYSTEM (IF BODY MAINTENANCE IS REQUIRED)

IMA components are located in this area. The IMA is a high-voltage system. The high voltage cables and their covers are identified by orange coloring. The safety labels are attached to high voltage and other related parts (see **DANGER/WARNING/CAUTION LABEL LOCATIONS**). You must be familiar with the IMA system before working on or around it. Make sure you have

2006 Honda Insight

2000-06 ELECTRICAL Body Electrical - Insight

read the Service Precautions in the IMA section before performing repairs or service (see **SERVICE PRECAUTIONS**).

SPECIAL TOOLS

Ref. No.	Tool Number	Description	Qty
①	07LAJ-PT3020A	Test Harness	1
②	07TAZ-001020A	Back Probe Adaptor	1

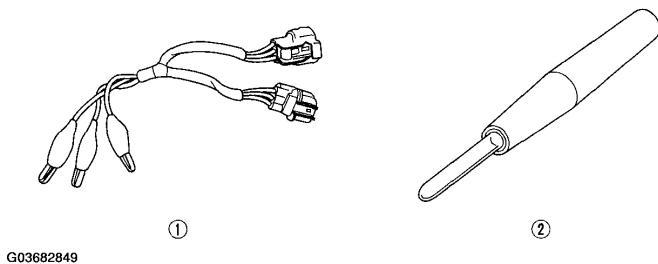


Fig. 1: Identifying Special Tool
Courtesy of AMERICAN HONDA MOTOR CO., INC.

GENERAL TROUBLESHOOTING INFORMATION

TIPS AND PRECAUTIONS

Before Troubleshooting

1. Check applicable fuses in the appropriate fuse/relay box.
2. Check the battery for damage, state of charge, and clean and tight connections.

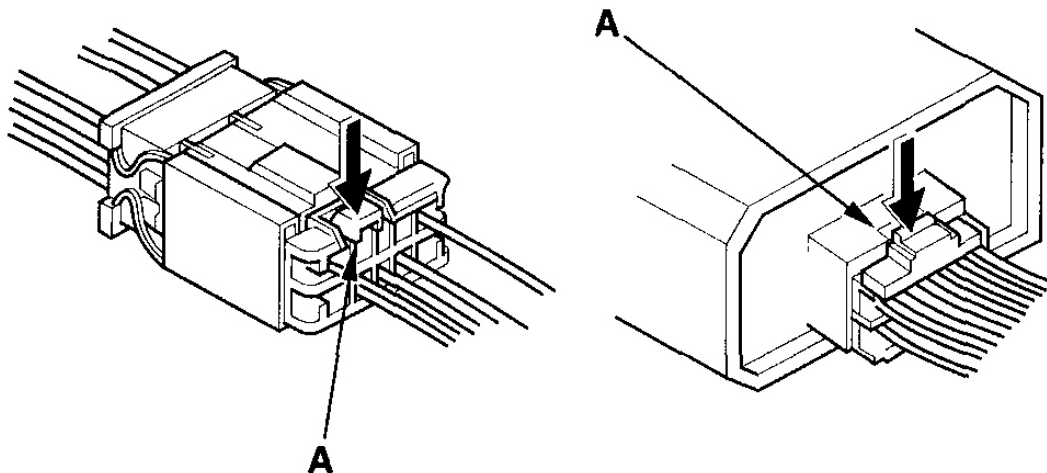
NOTE:

- Do not quick-charge a battery unless the battery ground cable has been disconnected, otherwise you will damage the IMA components.
- Do not attempt to crank the engine with the battery ground cable loosely connected or you will severely damage the wiring.

Handling Connectors

- Make sure the connectors are clean and have no loose wire terminals.

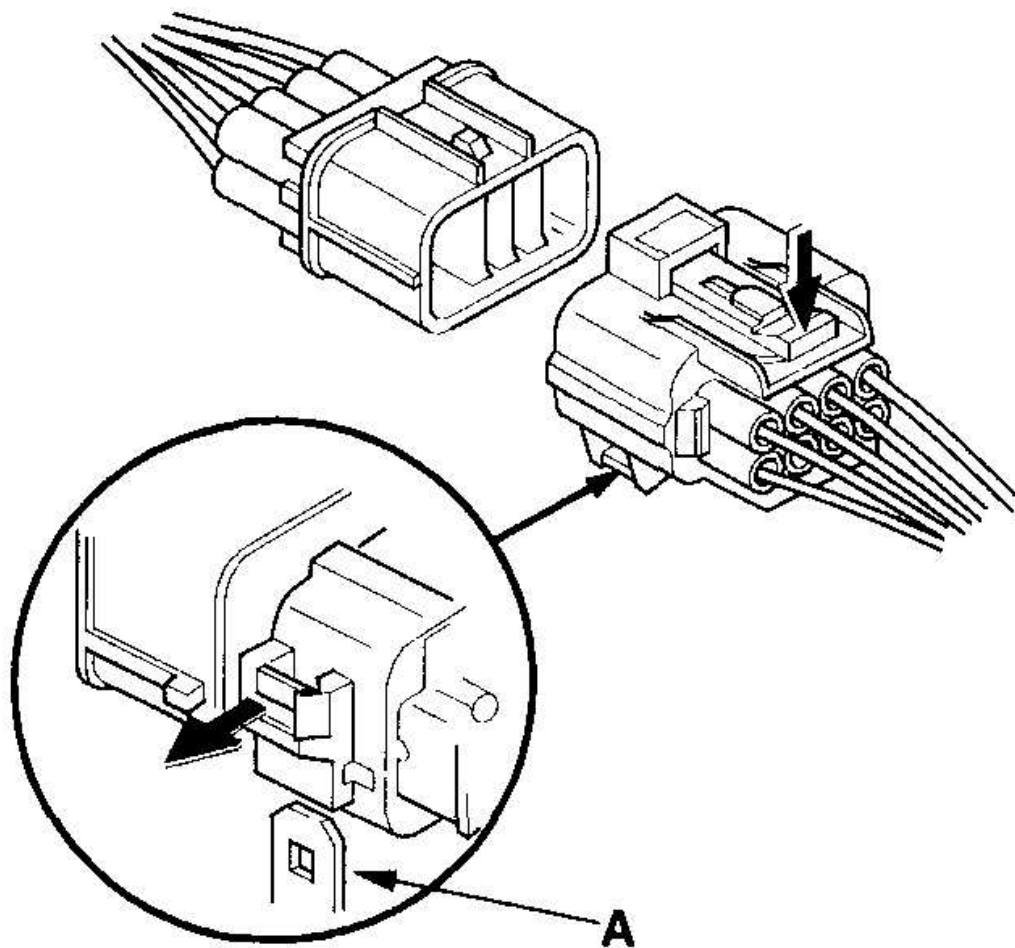
- Make sure multiple cavity connectors are packed with dielectric grease (except watertight connectors).
- All connectors have push-down release type locks (A).



G03682850

Fig. 2: Identifying Push-Down Release Type Locks
Courtesy of AMERICAN HONDA MOTOR CO., INC.

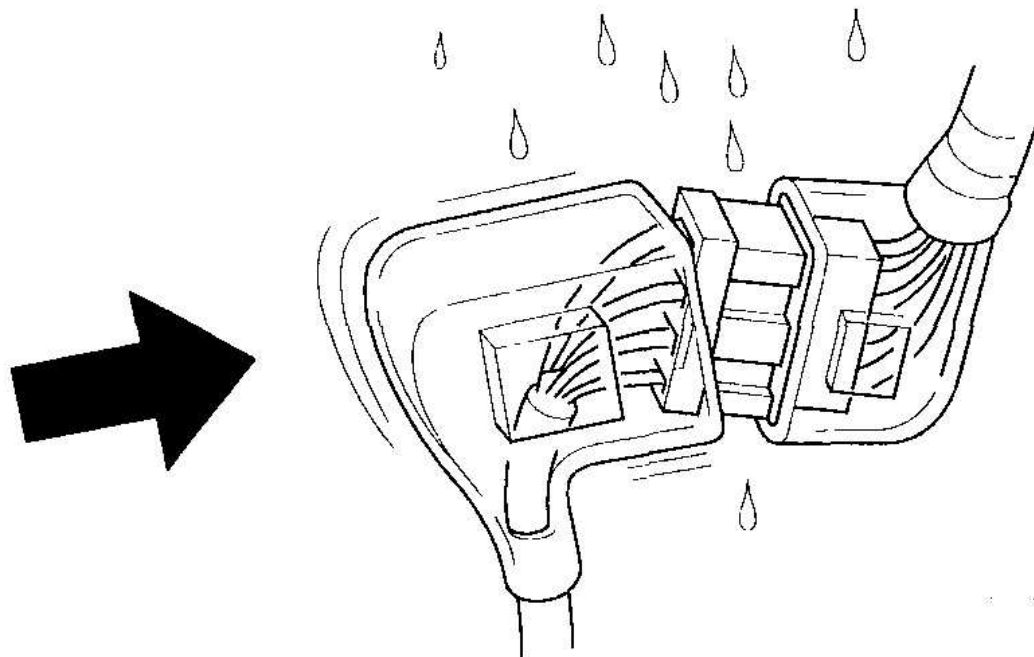
- Some connectors have a clip on their side used to attach them to a mount bracket on the body or on another component. This clip has a pull type lock.
- Some mounted connectors cannot be disconnected unless you first release the lock and remove the connector from its mount bracket (A).



G03682851

Fig. 3: Removing Connector From Its Mount Bracket
Courtesy of AMERICAN HONDA MOTOR CO., INC.

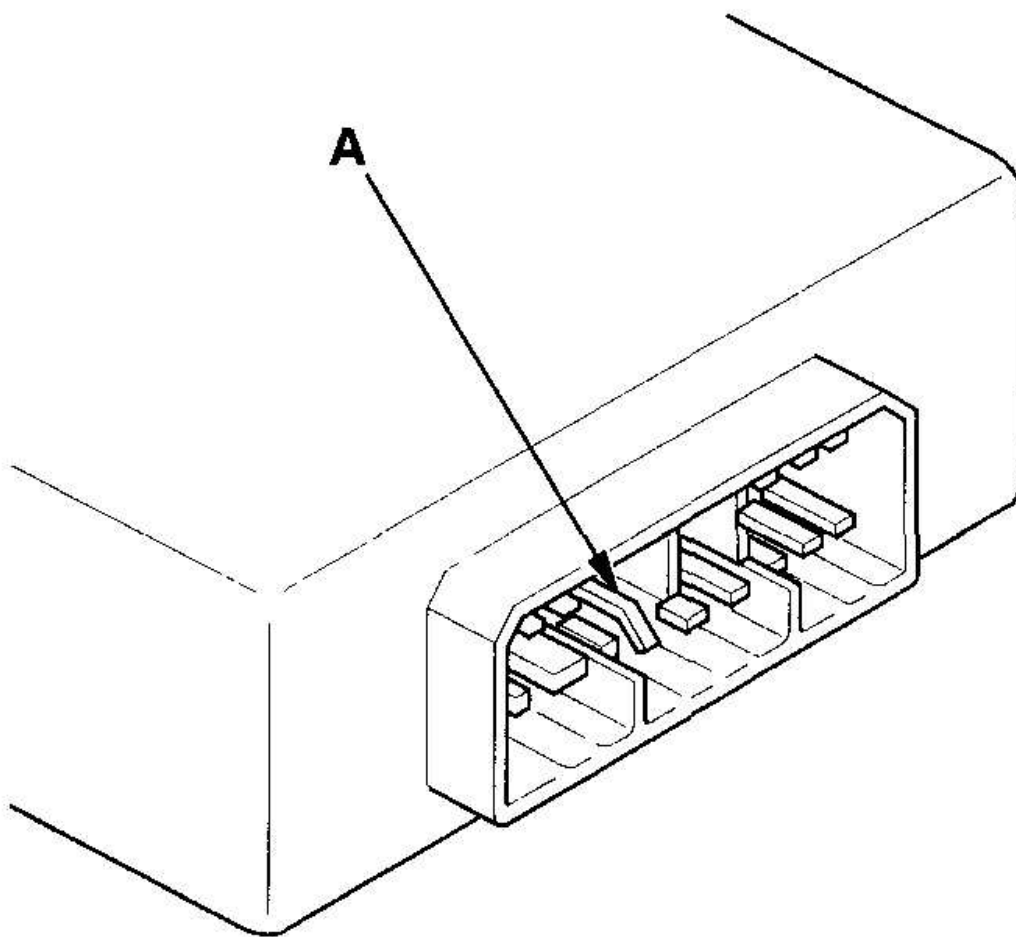
- Never try to disconnect connectors by pulling on their wires; pull on the connector halves instead.
- Always reinstall plastic covers.



G03682852

Fig. 4: Reinstalling Plastic Cover On Connector
Courtesy of AMERICAN HONDA MOTOR CO., INC.

- Before connecting connectors, make sure the terminals (A) are in place and not bent.



G03682853

Fig. 5: Identifying Connector Terminals

Courtesy of AMERICAN HONDA MOTOR CO., INC.

- Check for loose retainer (A) and rubber seals (B).

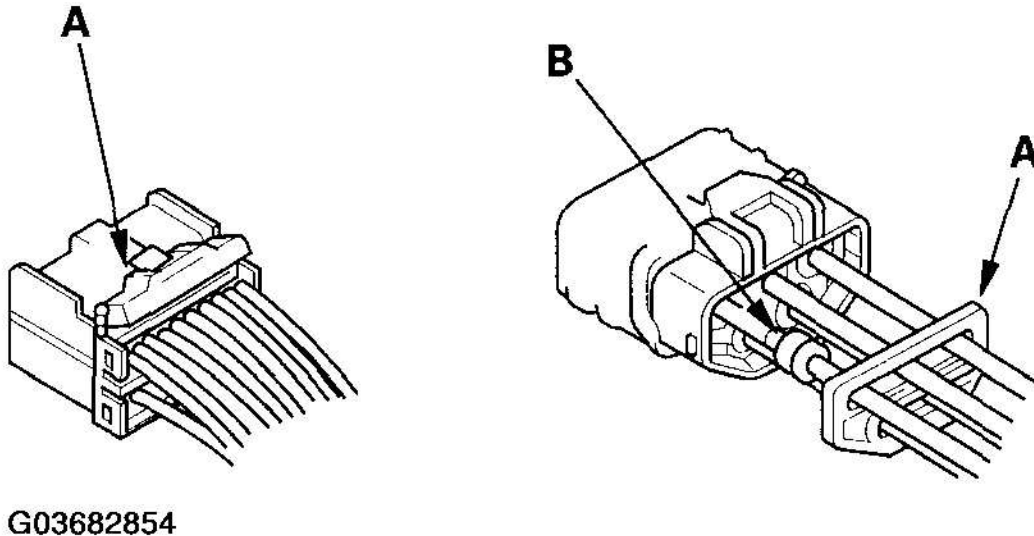
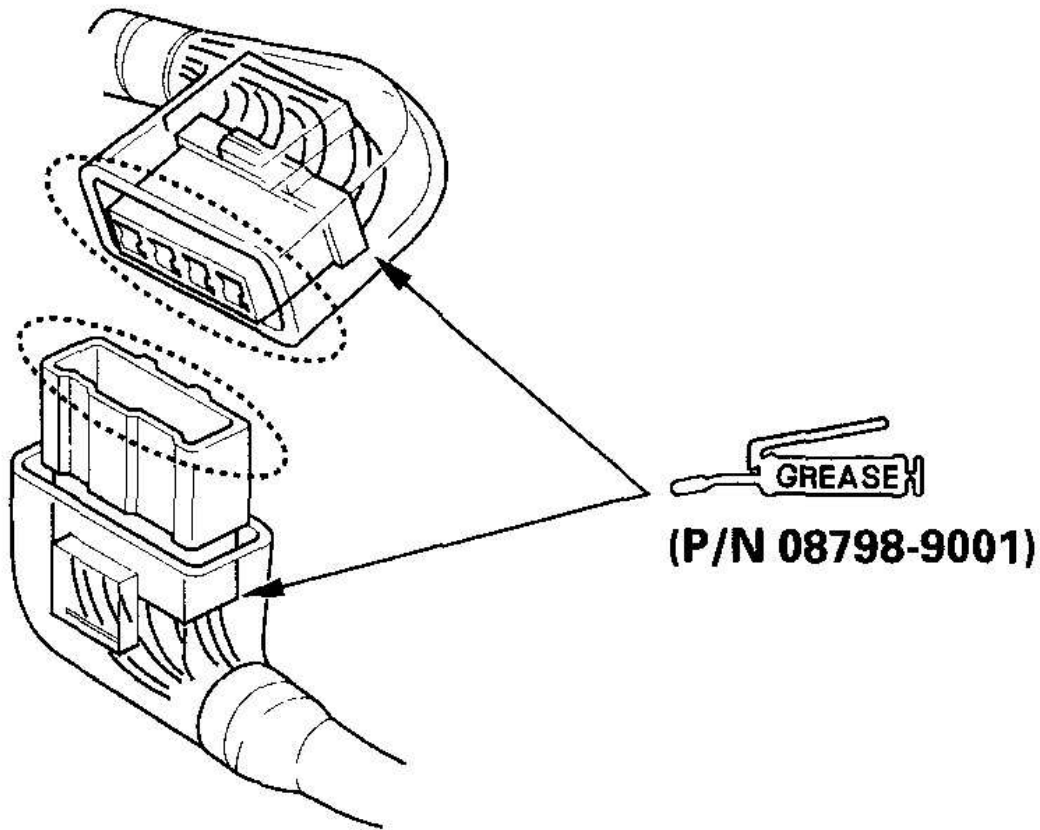


Fig. 6: Identifying Retainer And Rubber Seals
Courtesy of AMERICAN HONDA MOTOR CO., INC.

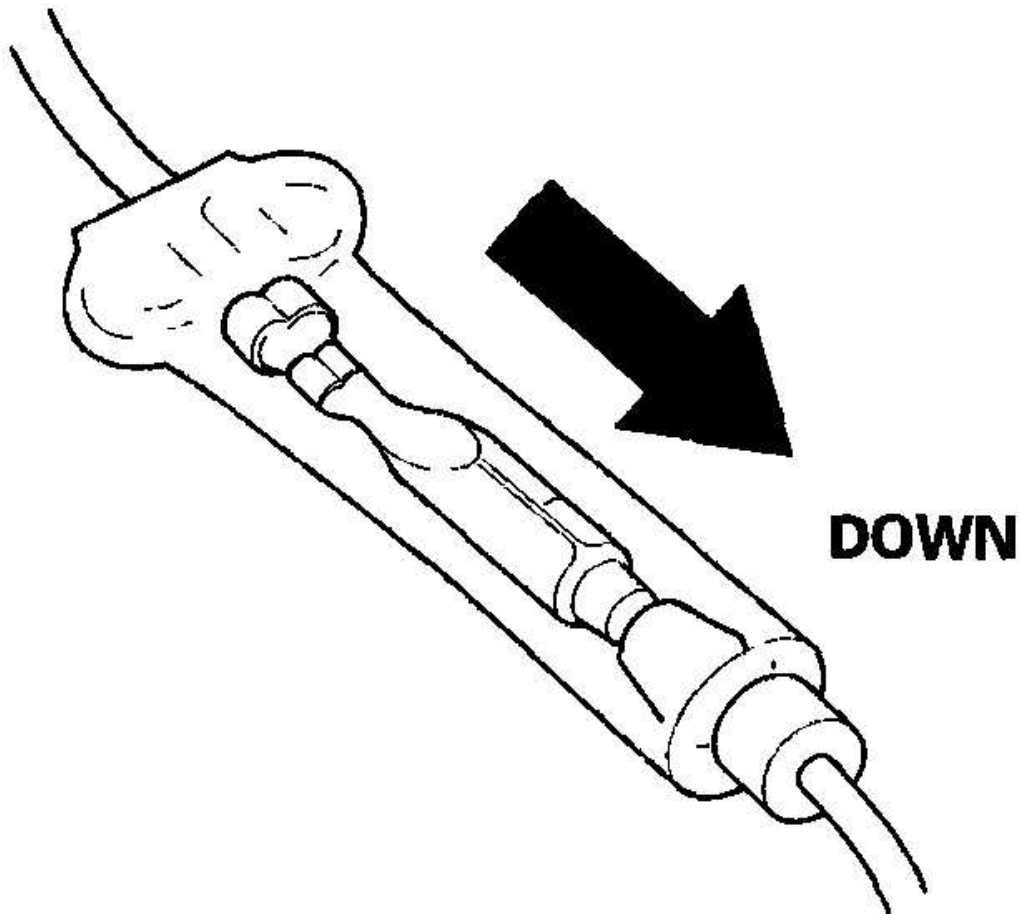
- The backs of some connectors are packed with dielectric grease. Add grease if necessary. If the grease is contaminated, replace it.



G03682855

Fig. 7: Applying Dielectric Grease On Backs Of Connectors
Courtesy of AMERICAN HONDA MOTOR CO., INC.

- Insert the connector all the way and make sure it is securely locked.
- Position wires so that the open end of the cover faces down.

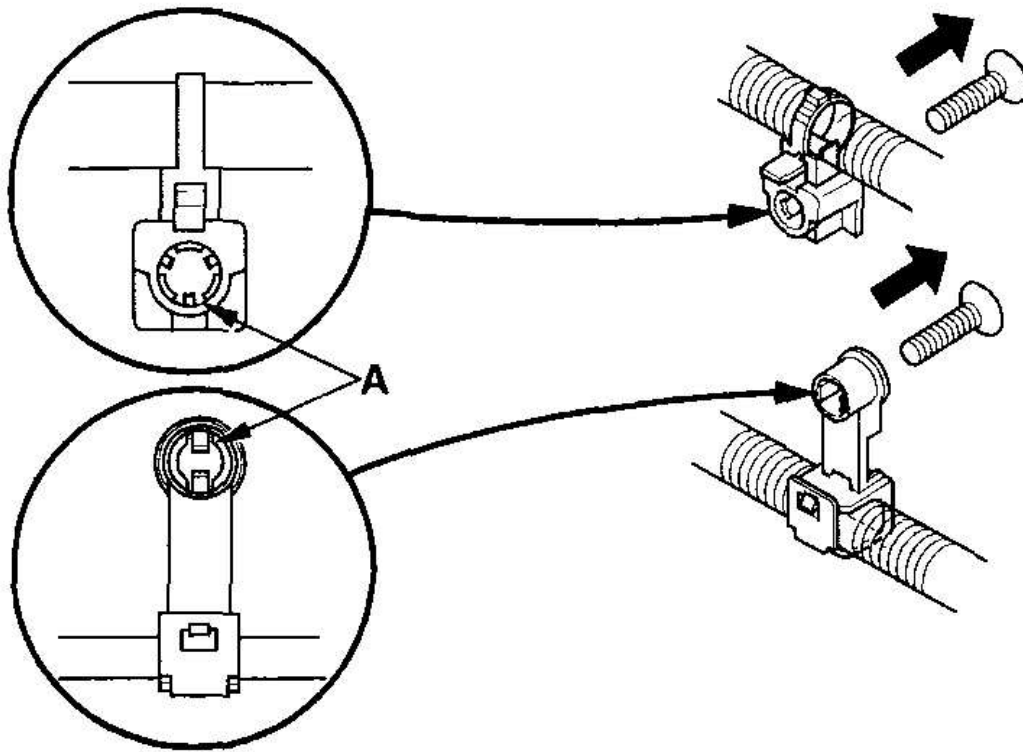


G03682856

Fig. 8: Positioning Wires With Open End Of Cover Faces Down
Courtesy of AMERICAN HONDA MOTOR CO., INC.

Handling Wires and Harnesses

- Secure wires and wire harnesses to the frame with their respective wire ties at the designated locations.
- Remove clips carefully; don't damage their locks (A).

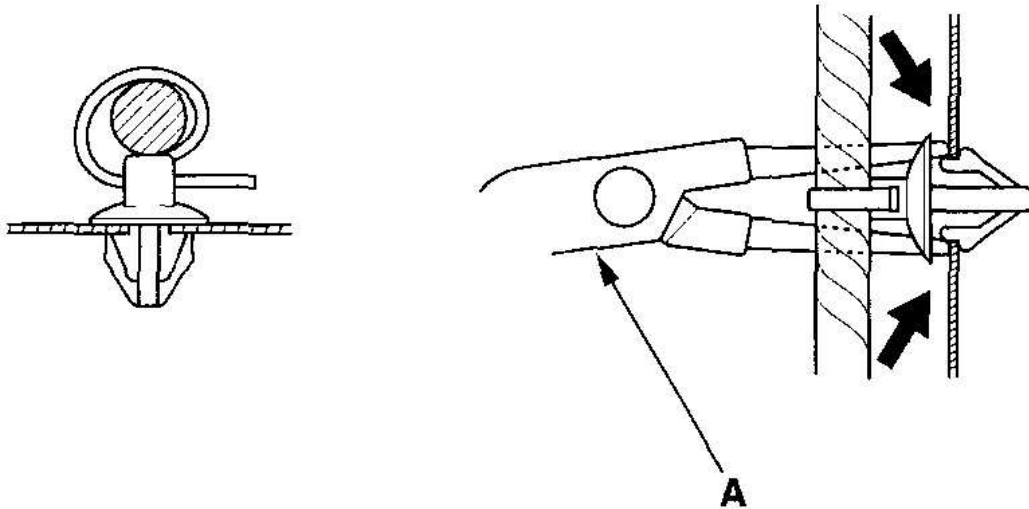


G03682857

Fig. 9: Removing Clips

Courtesy of AMERICAN HONDA MOTOR CO., INC.

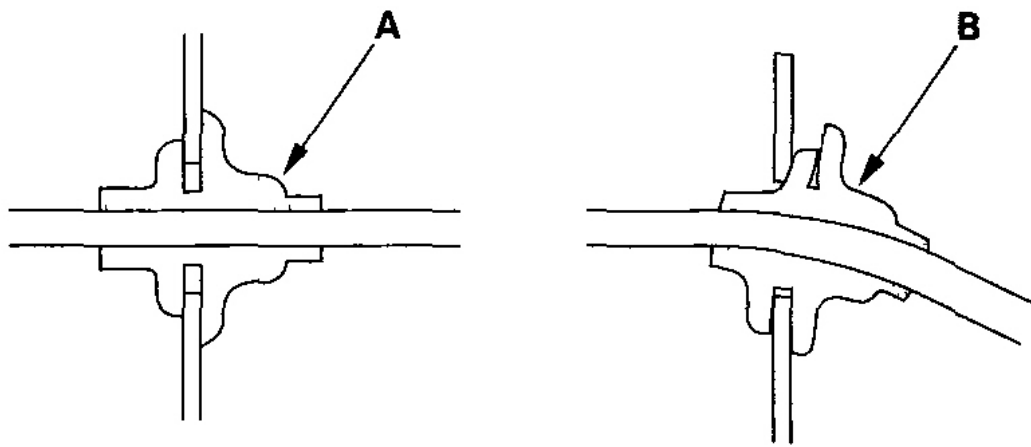
- Slip pliers (A) under the clip base and through the hole at an angle, then squeeze the expansion tabs to release the clip.



G03682858

Fig. 10: Squeezing Expansion Tabs For Releasing Clip
Courtesy of AMERICAN HONDA MOTOR CO., INC.

- After installing harness clips, make sure the harness doesn't interfere with any moving parts.
- Keep wire harnesses away from exhaust pipes and other hot parts, from sharp edges of brackets and holes, and from exposed screws and bolts.
- Seat grommets in their grooves properly (A). Do not leave grommets distorted (B).

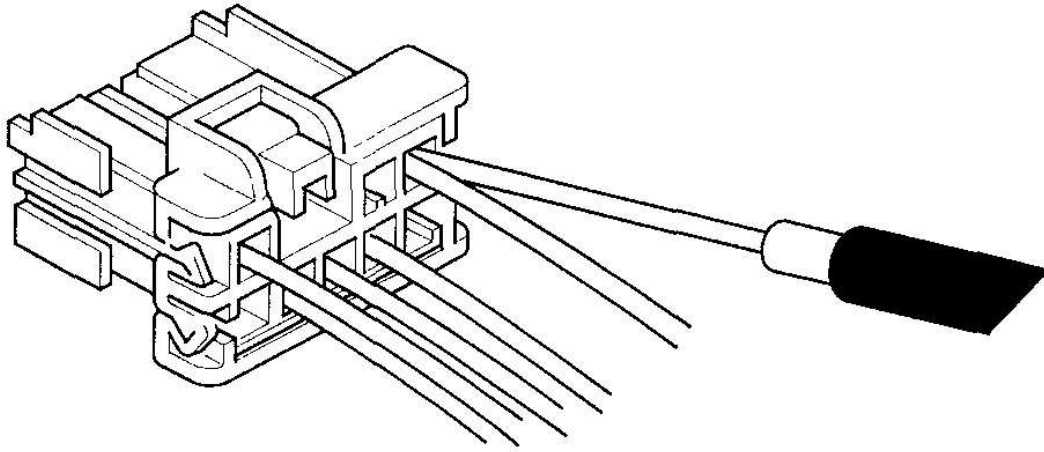


G03682859

Fig. 11: Seating Grommets In Grooves Properly
Courtesy of AMERICAN HONDA MOTOR CO., INC.

Testing and Repairs

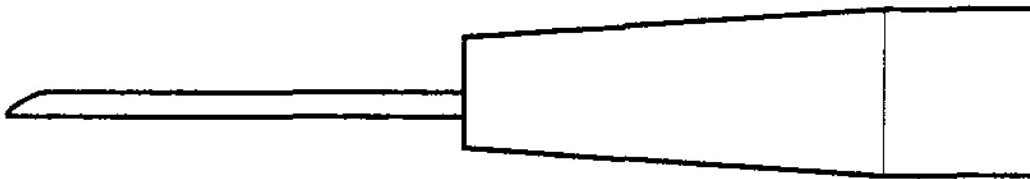
- Do not use wires or harnesses with broken insulation. Replace them or repair them by wrapping the break with electrical tape.
- After installing parts, make sure that no wires are pinched under them.
- When using electrical test equipment, follow the manufacturer's instructions and those described in this manual.
- If possible, insert the probe of the tester from the wire side (except waterproof connector).



G03682860

Fig. 12: Inserting Probe Of Tester From Wire Side
Courtesy of AMERICAN HONDA MOTOR CO., INC.

- Use back probe adaptor 07TAZ-001020A.



G03682861

Fig. 13: Identifying Back Probe Adaptor 07TAZ-001020A
Courtesy of AMERICAN HONDA MOTOR CO., INC.

- Refer to the instructions in the Honda Terminal Kit for identification and replacement of connector terminals.

1. **Verify The Complaint:** Turn on all the components in the problem circuit to verify the customer complaint. Note the symptoms. Do not begin disassembly or testing until you have narrowed down the problem area.
2. **Analyze The Schematic:** Look up the schematic for the problem circuit. Determine how the circuit is supposed to work by tracing the current paths from the power feed through the circuit components to ground. If several circuits fail at the same time, the fuse or ground is a likely cause.

Based on the symptoms and your understanding of the circuit operation, identify one or more possible causes of the problem.

3. **Isolate The Problem By Testing The Circuit:** Make circuit tests to check the diagnosis you made in step 2 . Keep in mind that a logical, simple procedure is the key to efficient troubleshooting. Test for the most likely cause of failure first. Try to make tests at points that are easily accessible.
4. **Fix The Problem:** Once the specific problem is identified, make the repair. Be sure to use proper tools and safe procedures.
5. **Make Sure The Circuit Works:** Turn on all components in the repaired circuit in all modes to make sure you've fixed the entire problem. If the problem was a blown fuse, be sure to test all of the circuits on the fuse. Make sure no new problems turn up and the original problem does not recur.

WIRE COLOR CODES

The following abbreviations are used to identify wire colors in the circuit schematics:

WIRE COLOR CODES ABBREVIATIONS

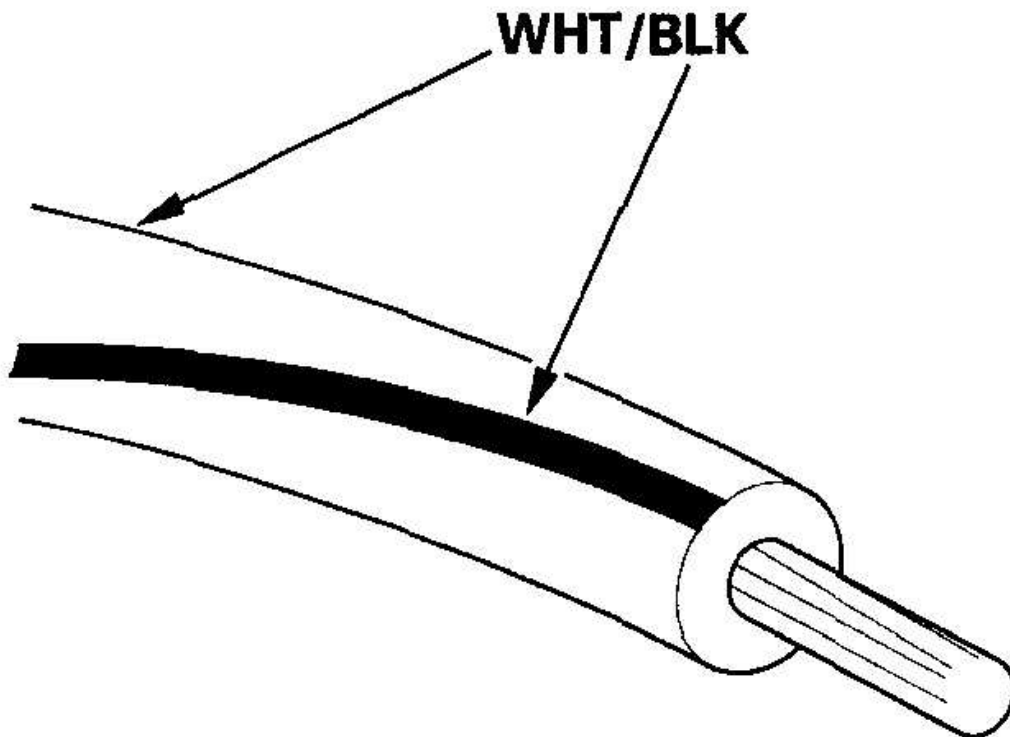
WHT...	White
YEL...	Yellow
BLK...	Black
BLU...	Blue
GRN...	Green
RED...	Red
ORN...	Orange

2006 Honda Insight

2000-06 ELECTRICAL Body Electrical - Insight

PNK...		Pink
BRN...		Brown
GRY...		Gray
PUR...		Purple
LT BLU...		Light Blue
LT GRN...		Light Green

The wire insulation has one color or one color with another color stripe. The second color is the stripe.



G03682862

Fig. 14: Identifying Wire Colors
Courtesy of AMERICAN HONDA MOTOR CO., INC.