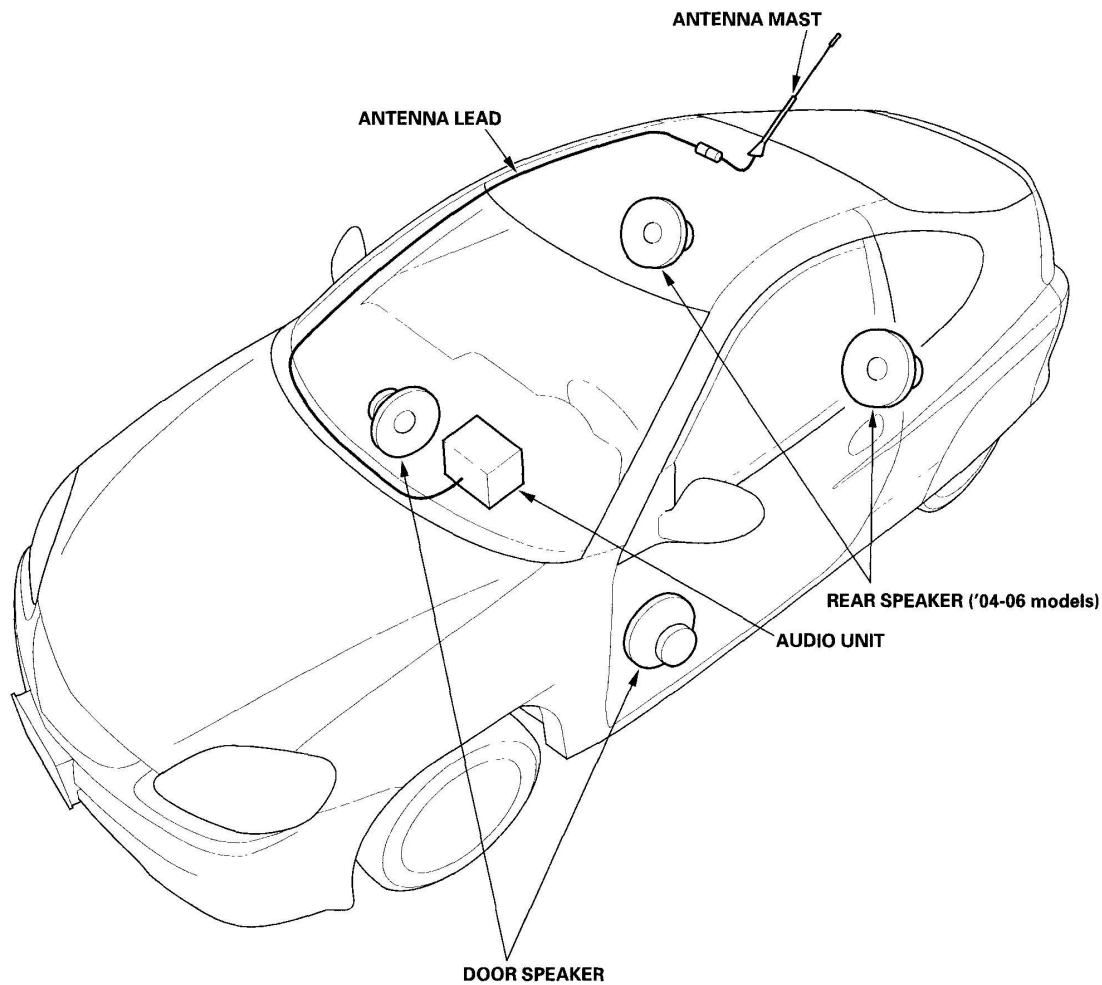


2000-06 ACCESSORIES & EQUIPMENT

Audio System - Insight

COMPONENT LOCATION INDEX



G03682963

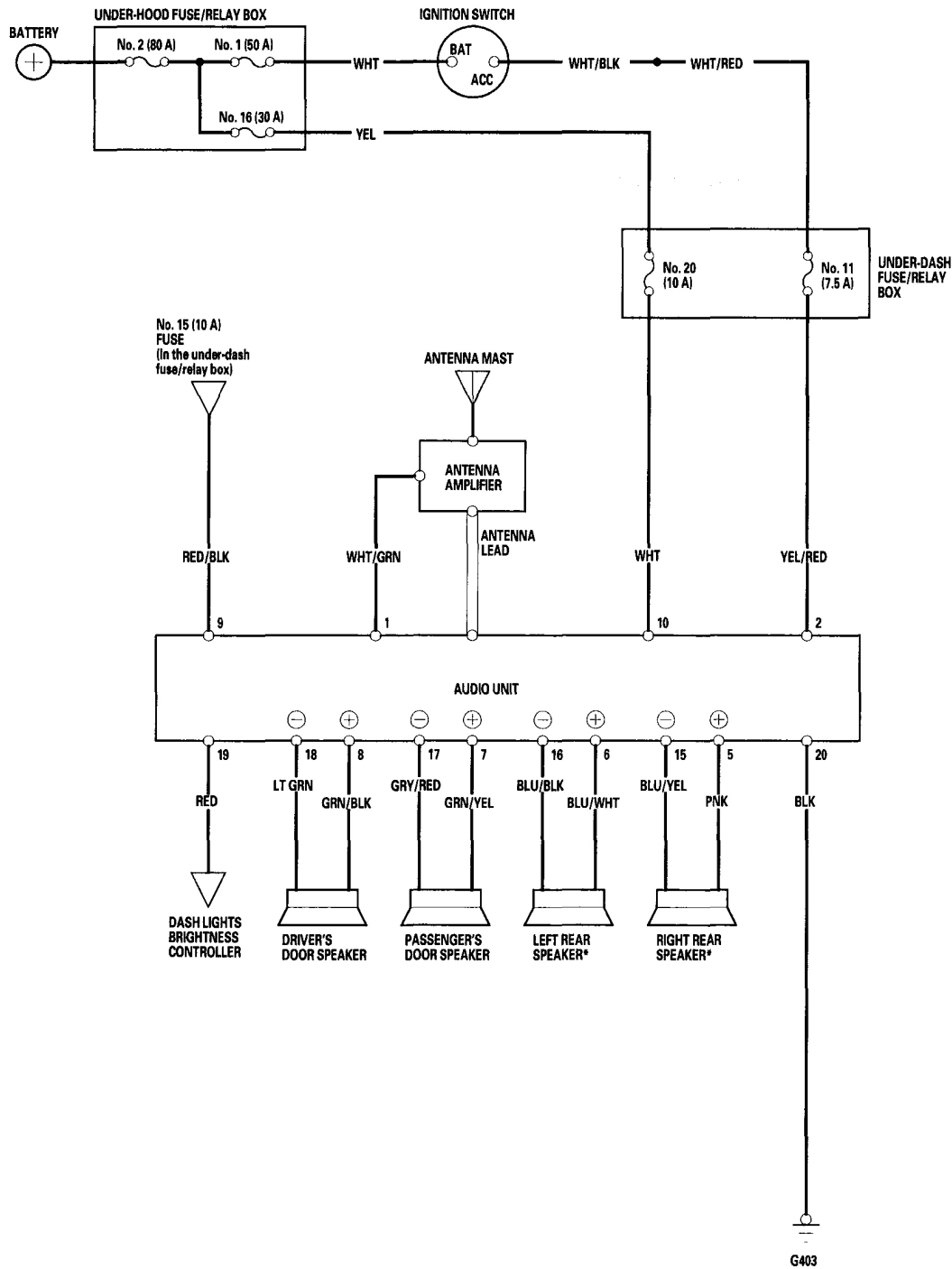
Fig. 1: Identifying Audio System Components Location
Courtesy of AMERICAN HONDA MOTOR CO., INC.

CIRCUIT DIAGRAM

2006 Honda Insight

2000-06 ACCESSORIES & EQUIPMENT Audio System - Insight

*: '04-06 models



G03682964

G403

Fig. 2: Circuit Diagram - Audio System
 Courtesy of AMERICAN HONDA MOTOR CO., INC.

2006 Honda Insight

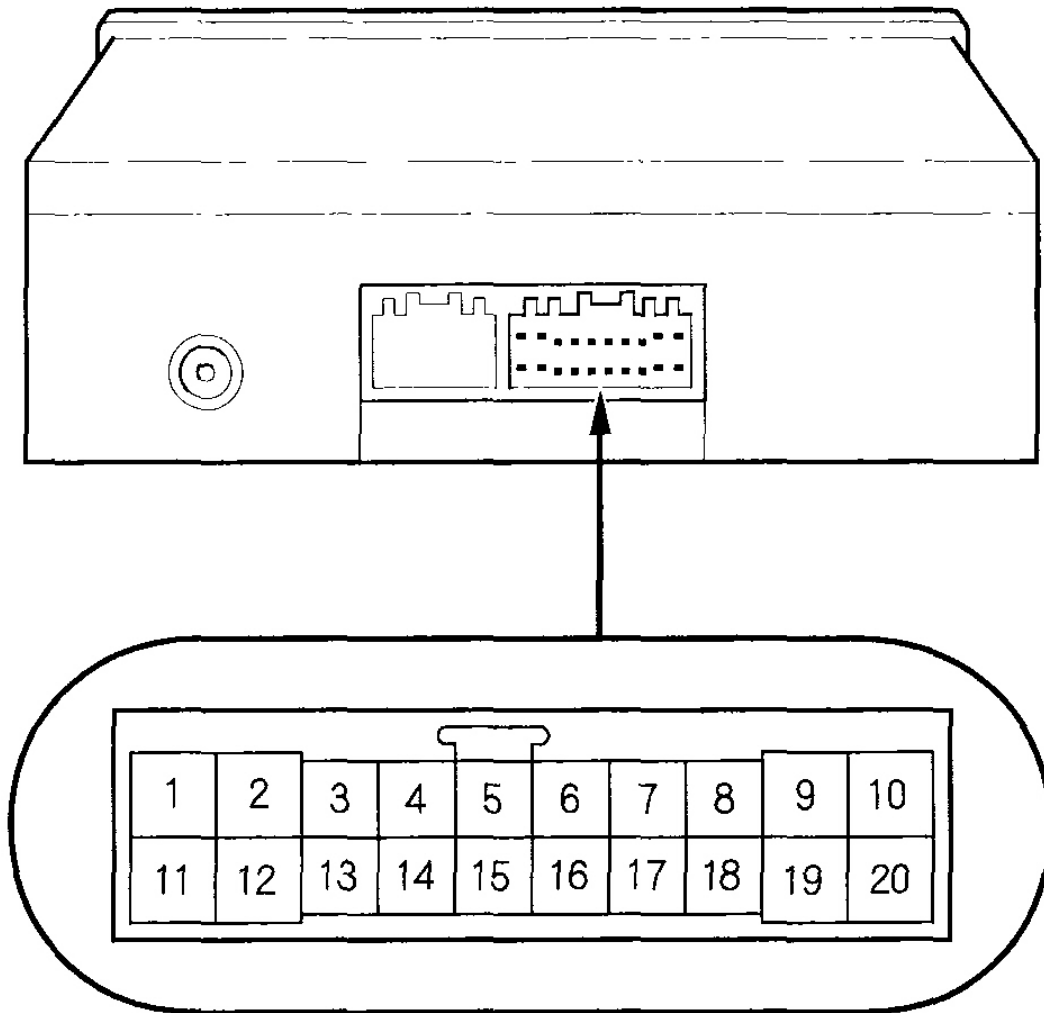
2000-06 ACCESSORIES & EQUIPMENT Audio System - Insight

SYSTEM DESCRIPTION

AUDIO UNIT CONNECTOR INPUTS AND OUTPUTS

AUDIO UNIT INPUT AND OUTPUT CONNECTORS DESCRIPTION

Cavity	Wire	Connects to
1	WHT/GRN	Antenna
2	YEL/RED	ACC (Main stereo power supply)
3	-	Not used
4	-	Not used
5	PNK	Right rear speaker (+) (Optional: '00-03 models)
6	BLU/WHT	Left rear speaker (+) (Optional: '00-03 models)
7	GRN/YEL	Passenger's door speaker (+)
8	GRN/BLK	Driver's door speaker (+)
9	RED/BLK	Lights-on signal
10	WHT	Constant power
11	-	Not used
12	-	Not used
13	-	Not used
14	-	Not used
15	BLU/YEL	Right rear speaker (-) (Optional: '00-03 models)
16	BLU/BLK	Left rear speaker (-) (Optional: '00-03 models)
17	GRY/RED	Passenger's door speaker (-)
18	LT GRN	Driver's door speaker (-)
19	RED	Dash lights brightness controller
20	BLK	Ground (G403)

AUDIO UNIT 20P CONNECTOR

G03682965

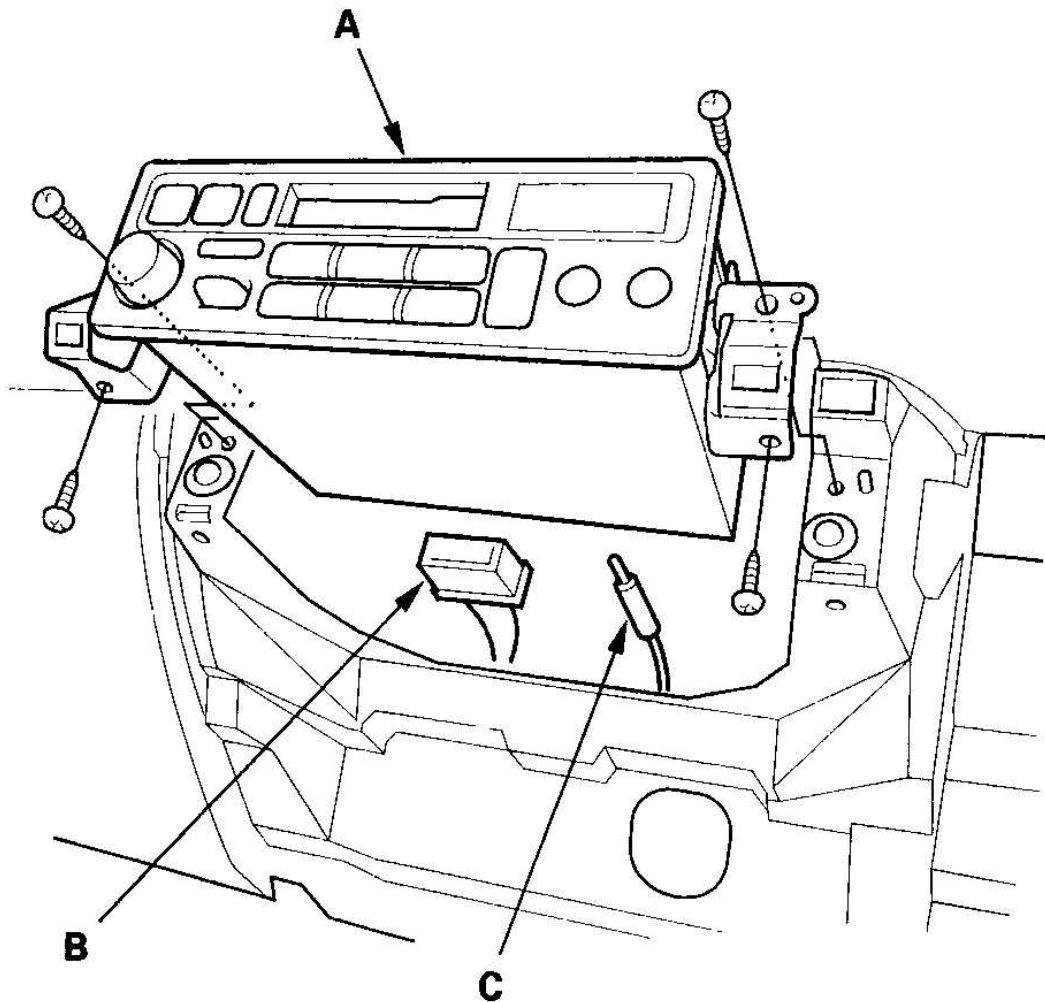
Fig. 3: Identifying Audio Unit 20P Connector

Courtesy of AMERICAN HONDA MOTOR CO., INC.

AUDIO UNIT REMOVAL

1. Make sure you have the anti-theft codes for the radio, then write down the audio presets.
2. Remove the center lower cover (see **CENTER LOWER COVER REMOVAL/INSTALLATION**).

3. Remove the four screws from the audio unit (A).



G03682966

Fig. 4: Removing Audio Unit

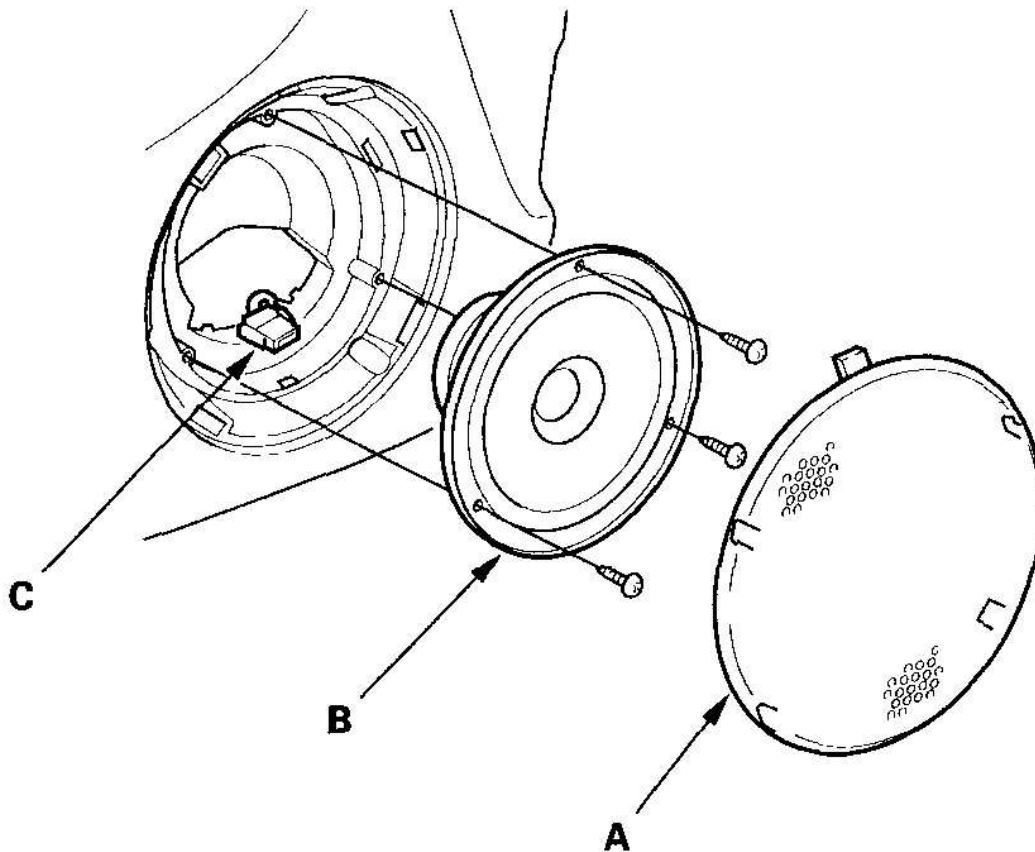
Courtesy of AMERICAN HONDA MOTOR CO., INC.

4. Disconnect the 20P connector (B) and antenna lead (C) from the audio unit.
5. Install in the reverse order of removal.
6. Enter the anti-theft codes for the radio, then enter the audio presets, and set the clock.

SPEAKER REPLACEMENT

DOOR SPEAKER

1. Remove the door speaker cover (A).



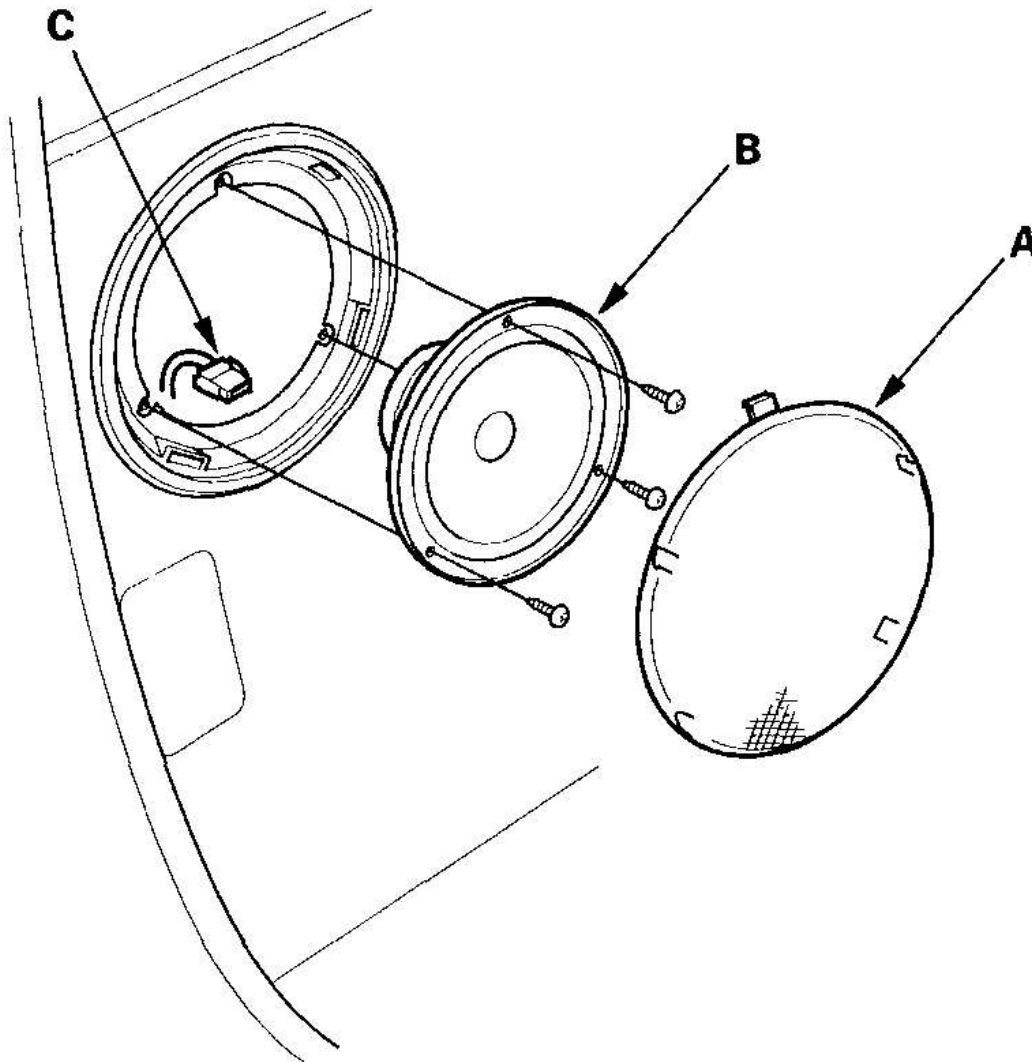
G03682967

Fig. 5: Removing Door Speaker Cover
Courtesy of AMERICAN HONDA MOTOR CO., INC.

2. Remove the screws from the speaker (B).
3. Disconnect the 2P connector (C) from the speaker.
4. Install in the reverse order of removal.

REAR SPEAKER ('04-06 MODELS)

1. Remove the rear speaker cover (A).



G03682968

Fig. 6: Removing Rear Speaker Cover

Courtesy of AMERICAN HONDA MOTOR CO., INC.

2. Remove the screws from the speaker (B).
3. Disconnect the 2P connector (C) from the speaker.

4. Install in the reverse order of removal.

ANTENNA MAST REPLACEMENT

1. Remove the headliner (see **HEADLINER REMOVAL/INSTALLATION**).
2. Disconnect the 1P connector (A) and antenna lead (B).

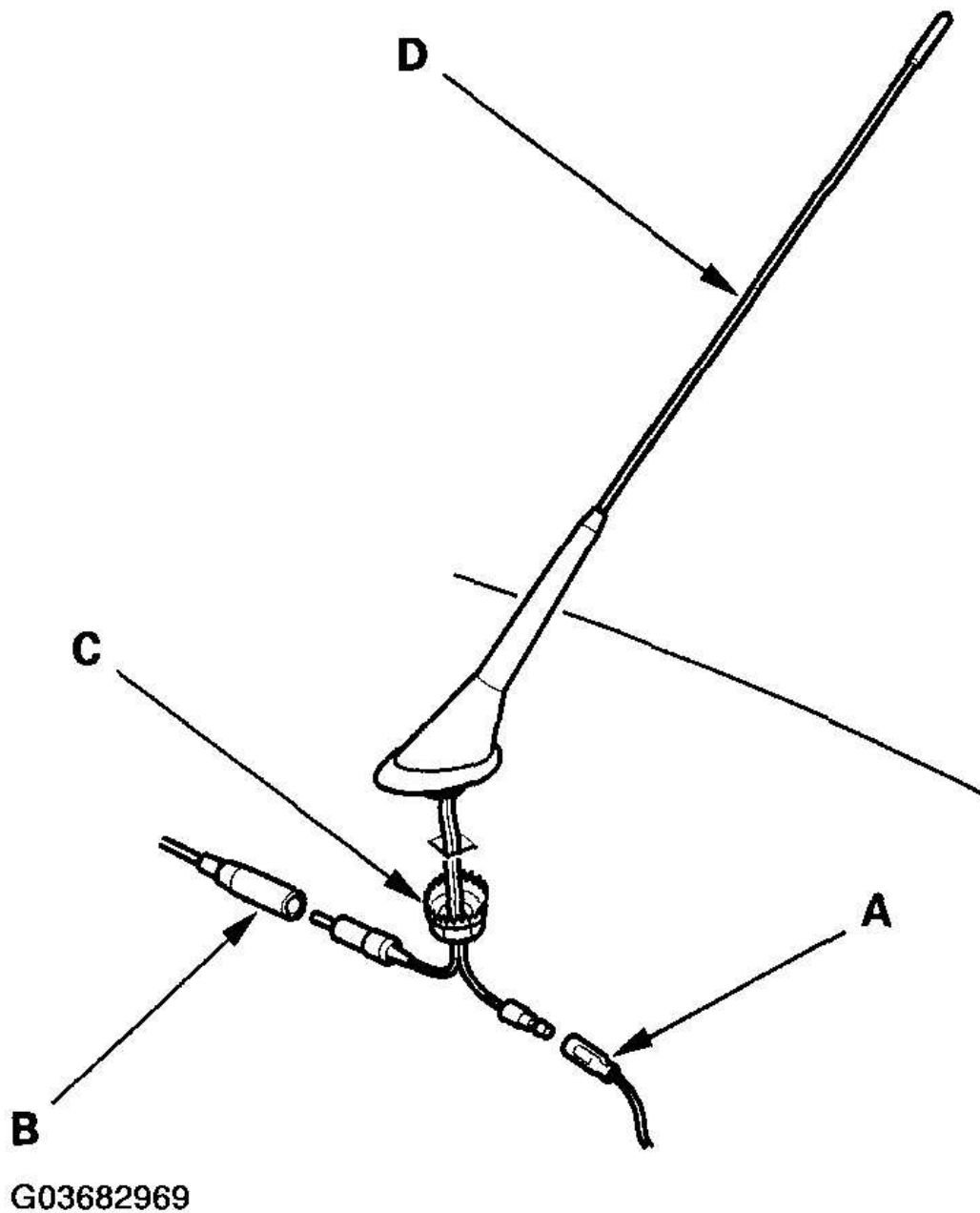


Fig. 7: Disconnecting 1P Connector And Antenna Lead
Courtesy of AMERICAN HONDA MOTOR CO., INC.

3. Remove the nut (C) and antenna mast (D).

2006 Honda Insight

2000-06 ACCESSORIES & EQUIPMENT Audio System - Insight

4. Install in the reverse order of removal.