

# Floor Mat Installation During Pre-Delivery Service (PDS)

**Service Category** General

**Section** Pre-Delivery Service

**Market** USA

Toyota Supports  
 ASE Certification 

## Applicability

YEAR(S)	MODEL(S)	ADDITIONAL INFORMATION
2024	4Runner, 86, bZ4X, Camry, Camry HV, Corolla, Corolla Cross, Corolla Cross HV, Corolla Hatchback, Corolla HV, Crown, GR Corolla, Grand Highlander, Grand Highlander HV, Highlander, Highlander HV, Land Cruiser, Mirai, Prius, Prius Prime, RAV4, RAV4 HV, RAV4 Prime, Sequoia HV, Sienna HV, Supra, Tacoma, Tacoma HV, Tundra, Tundra HV, Venza HV	

### REVISION NOTICE

**February 13, 2024 Rev2:**

- **Applicability has been updated to include 2024 model year Land Cruiser vehicles.**

**August 28, 2023 Rev1:**

- **Applicability has been updated to include 2024 model year 86, bZ4X, Highlander, Highlander Hybrid, Tacoma, and Tacoma Hybrid vehicles.**

**Any previous printed versions of this bulletin should be discarded.**

## Introduction

2024 model year Toyota vehicles are equipped with driver side floor mat retainers to secure the floor mat in the correct position. In addition, some models may also utilize retainers for passenger side and rear seat floor mats. During Pre-Delivery Service (PDS), follow the appropriate Installation Procedure to attach the driver side, and if applicable, the passenger side and rear seat floor mats to the vehicle carpet using the floor mat retainers. If installation instructions are included in the floor mat kit, place the instructions in the vehicle's glove box for customer reference.

## Floor Mat Installation During Pre-Delivery Service (PDS)

### Introduction (continued)

**CAUTION**

- ALWAYS verify the floor mat is designed specifically for the model and model year it is being installed in.
- ONLY use floor mats that can be secured using the retainers. ALL OEM Toyota floor mats are specifically designed to fit correctly and be secured using the retainers.
- Make sure the floor mat is properly placed on the vehicle carpet and secured with the retainers. If the driver side floor mat is NOT properly placed and secured, it could slip and interfere with the movement of the pedals during driving and may cause an accident.
- Verify the operation of the accelerator, brake, and clutch (if equipped) pedals and clearance to the mat.
- NEVER install more than one floor mat at a time in the driver’s seating position.
- If applicable, ANY secondary set of floor mats (based upon customer preference, such as the all-weather floor mats or other floor mats) MUST be placed in the trunk with ALL the packaging material intact. Do NOT install the secondary mat on top of the primary floor mat already installed in the driver’s seating position.

### Warranty Information

OP CODE	DESCRIPTION	TIME	OFP	T1	T2
N/A	Not Applicable to Warranty	–	–	–	–

### Installation Procedures

- [Pre-Installed Knob Style](#) ..... 2
- [Hook and Loop Style](#)..... 5

### Installation Procedure: Pre-Installed Knob Style

**NOTICE**

If the vehicle is equipped with two sets of floor mats (carpet and all weather):

- Do NOT install both sets of floor mats at the same time.
- Install one set according to the current season and store the other set in the luggage compartment.
- Discard the Floor Mat Safety Check insert for the installed set and keep the other with the spare floor mat set for the customer’s reference.

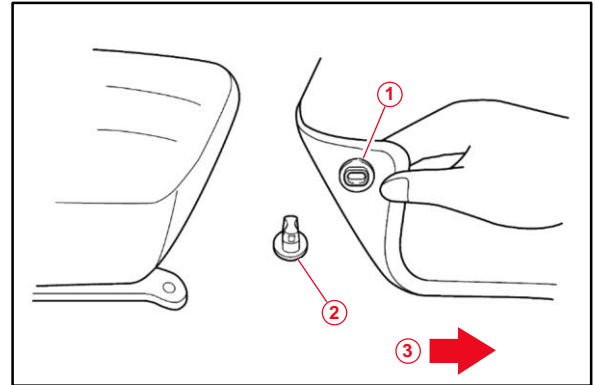
1. Verify that the driver, and if applicable, passenger side and rear seat floor mats are for the correct model and model year vehicle they are being installed in.

## Floor Mat Installation During Pre-Delivery Service (PDS)

### Installation Procedure: Pre-Installed Knob Style (continued)

- Align the floor mat grommets with the retention knobs and place the floor mat grommets onto the retention knobs.

**Figure 1.**

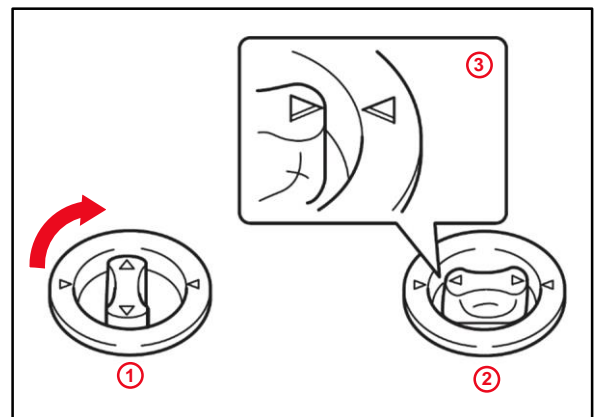


<b>1</b>	<b>Floor Mat Grommet</b>
<b>2</b>	<b>Retention Knob</b>
<b>3</b>	<b>Front of Vehicle</b>

- Twist the retention knobs a quarter of a turn to lock in place.

- Verify the triangle marks on the retention knobs and floor mat are aligned.

**Figure 2.**



<b>1</b>	<b>Twist Knob</b>
<b>2</b>	<b>Knob in Locked Position</b>
<b>3</b>	<b>Align Triangle Marks</b>

## Floor Mat Installation During Pre-Delivery Service (PDS)



### Installation Procedure: Pre-Installed Knob Style (continued)

5. Verify proper installation.

**NOTE**

If applicable, do NOT remove the yellow caution tag from the floor mat. ONLY the customer should remove the caution tag.

Figure 3.

⚠ CAUTION ⚠	⚠ PRECAUCIÓN ⚠
<ul style="list-style-type: none"> <li>Use this floor mat for driver's side only.</li> <li>This floor mat was designed specifically for use in this model and model year vehicle and <b>SHOULD NOT</b> be used in any other vehicle.</li> <li>To prevent the floor mat from shifting, the floor mat should be attached securely to the floor with the retention clips.</li> <li>To properly use the retention clips, turn the knobs on the clips to the lock position as shown in the following illustration.</li> <li>The floor mat <b>MUST BE</b> installed directly on the carpeted floor of the vehicle and properly secured with the retention clips. The floor mat should <b>NEVER</b> be installed on top of another floor mat.</li> <li><b>NEVER</b> place the floor mat in the vehicle upside-down or backwards.</li> </ul>	<ul style="list-style-type: none"> <li>Use este tapete únicamente para el lado del conductor.</li> <li>Este tapete fue diseñado específicamente para usarse en este modelo y año de vehículo, y <b>NO DEBE</b> usarse en ningún otro vehículo.</li> <li>Para evitar que el tapete se mueva, el tapete debe ceñirse al piso de manera segura con los sujetadores de retención.</li> <li>Para usar correctamente los sujetadores de retención, gire las perillas en los sujetadores a la posición de bloqueo como se muestra en la siguiente ilustración.</li> <li>El tapete <b>DEBE</b> instalarse directamente al piso alfombrado del vehículo y ceñirse correctamente con los sujetadores de retención. El tapete <b>NUNCA</b> debe instalarse encima de otro tapete.</li> <li><b>NUNCA</b> coloque el tapete en el vehículo boca abajo o al revés.</li> </ul>
	
<div style="display: flex; justify-content: space-around;"> <div style="text-align: center;"> <p>FRONT FRENTE AVANT أمام</p>  <p>UNLOCK DESBLOQUEAR DÉVERROUILLER افتح</p> </div> <div style="text-align: center;"> <p>ALWAYS ALIGN MARK SIEMPRE ALINEE LAS MARCAS TOUJOURS ALIGNER LES MARQUES قم دائماً بترصيف العلامة</p>  <p>LOCK BLOQUEAR VERROUILLER أغلق</p> </div> </div>	
TFMT - IC0001	

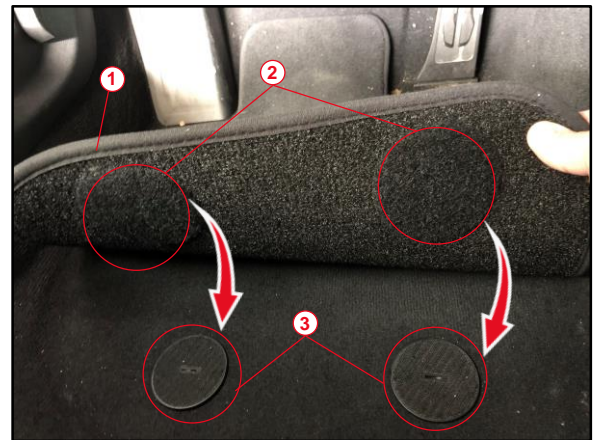
## Floor Mat Installation During Pre-Delivery Service (PDS)

---

### Installation Procedure: Hook and Loop Style

1. Verify that the driver side, and if applicable, passenger side floor mats are for the correct model and model year vehicle they are being installed in.
2. Attach the driver, and if applicable, passenger side floor mats to the vehicle carpet using the hook and loop fasteners.

**Figure 4.**



<b>1</b>	<b>Underside of Driver Floor Mat</b>
<b>2</b>	<b>Loop</b>
<b>3</b>	<b>Hook</b>

3. Verify proper installation.