

Last Modified: 12-04-2024	6.11:8.1.0	Doc ID: RM1000000290ZH
Model Year Start: 2023	Model: Prius	Prod Date Range: [12/2022 -]
Title: HEATING / AIR CONDITIONING: AIR CONDITIONING SYSTEM (for HEV Model): B141A11; Room Temperature Sensor Circuit Short to Ground; 2023 - 2024 MY Prius [12/2022 -]		

DTC	B141A11	Room Temperature Sensor Circuit Short to Ground
------------	----------------	--

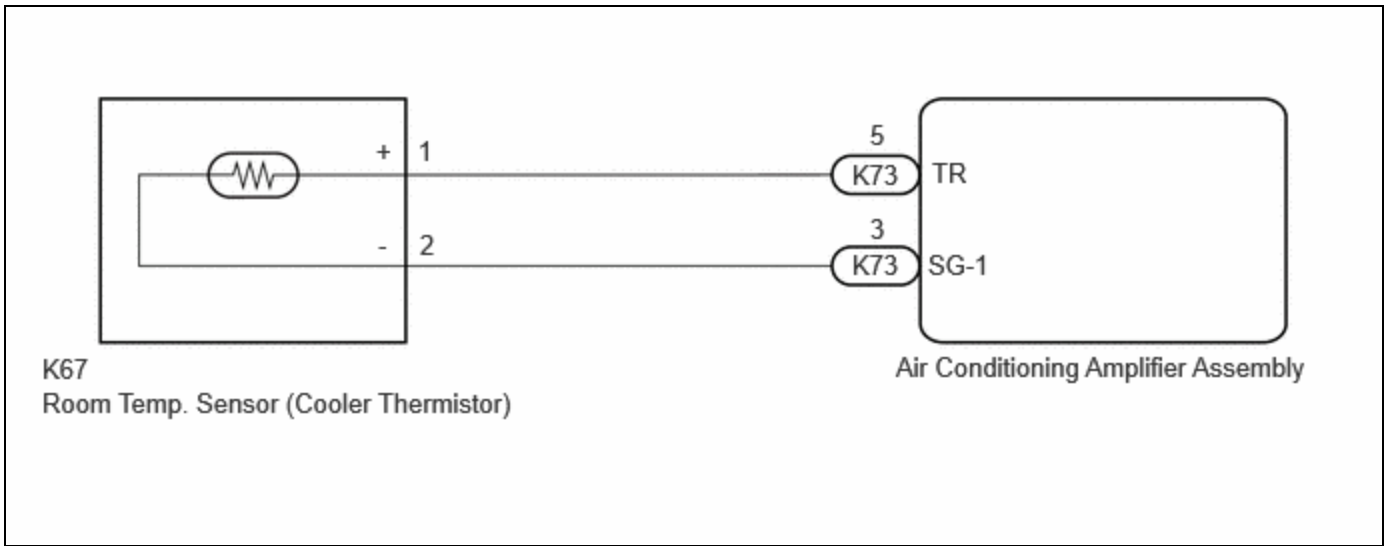
DESCRIPTION

The room temp. sensor (cooler thermistor) is installed in the instrument panel to detect the cabin temperature, which is used to control the air conditioning system. The resistance of the room temp. sensor (cooler thermistor) changes in accordance with the cabin temperature. As the temperature decreases, the resistance increases. As the temperature increases, the resistance decreases.

The air conditioning amplifier assembly applies voltage to the room temp. sensor (cooler thermistor) and reads voltage changes due to changes in the resistance of the room temp. sensor (cooler thermistor).

DTC NO.	DETECTION ITEM	DTC DETECTION CONDITION	TROUBLE AREA	MEMORY	DTC OUTPUT FROM	PRIORITY
B141A11	Room Temperature Sensor Circuit Short to Ground	Diagnosis Condition: Ignition switch ON Malfunction: Short (GND) in room temperature sensor circuit Detection Time: Continuously for 4 seconds or more	<ul style="list-style-type: none"> Room temp. sensor (cooler thermistor) Harness or connector Air conditioning amplifier assembly 	Memorized	Air Conditioner	A

WIRING DIAGRAM



PROCEDURE

1.	CLEAR DTC
-----------	------------------

(a) Clear the DTCs.

Body Electrical > Air Conditioner > Clear DTCs

NEXT

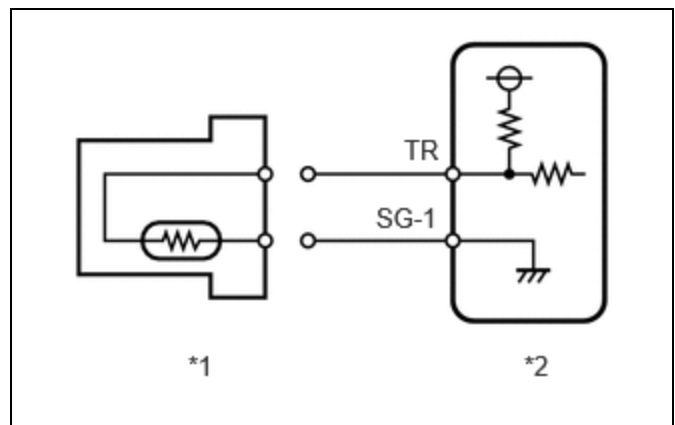


2.	CHECK FOR DTC
-----------	----------------------

Pre-procedure1

(a) Turn the ignition switch off.

(b) Disconnect the room temp. sensor (cooler thermistor) connector.



*1	Room Temp. Sensor (Cooler Thermistor)
----	---------------------------------------

*2	Air Conditioning Amplifier Assembly
----	-------------------------------------

(c) Turn the ignition switch to ON and wait for 4 seconds or more.

Procedure1

(d) Check for DTCs.

Body Electrical > Air Conditioner > Trouble Codes

RESULT	PROCEED TO
B141A15 is output	A
B141A11 is output	B

Post-procedure1

(e) None

A ► REPLACE ROOM TEMP. SENSOR (COOLER THERMISTOR)

B



3.	CHECK HARNESS AND CONNECTOR (AIR CONDITIONING AMPLIFIER ASSEMBLY - ROOM TEMP. SENSOR (COOLER THERMISTOR))
-----------	--

Pre-procedure1

(a) Disconnect the K67 room temp. sensor (cooler thermistor) connector.

(b) Disconnect the K73 air conditioning amplifier assembly connector.

Procedure1

(c) Measure the resistance according to the value(s) in the table below.

Standard Resistance:



[Click Location & Routing\(K67,K73\)](#)

[Click Connector\(K67\)](#)

[Click Connector\(K73\)](#)

TESTER CONNECTION	CONDITION	SPECIFIED CONDITION	RESULT
K67-1 (+) or K73-5 (TR) - Other terminals and body ground	Always	10 kΩ or higher	kΩ
K67-2 (-) or K73-3 (SG-1) - Other terminals and body ground	Always	10 kΩ or higher	kΩ

Post-procedure1

(d) None

OK ▶ **REPLACE AIR CONDITIONING AMPLIFIER ASSEMBLY**

Click here

INFO

NG ▶ **REPAIR OR REPLACE HARNESS OR CONNECTOR**

