

Last Modified: 12-04-2024	6.11:8.1.0	Doc ID: RM100000028UZN
Model Year Start: 2023	Model: Prius Prime	Prod Date Range: [12/2022 -]
Title: SUPPLEMENTAL RESTRAINT SYSTEMS: CURTAIN SHIELD AIRBAG ASSEMBLY: DISPOSAL; 2023 - 2024 MY Prius Prius Prime [12/2022 -]		

DISPOSAL

CAUTION / NOTICE / HINT

CAUTION:

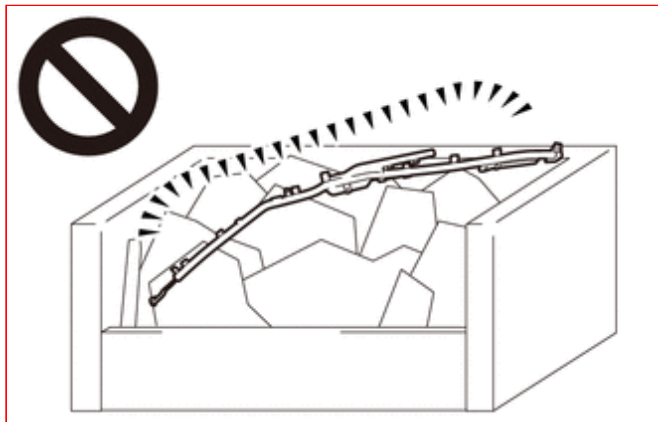
Before performing pre-disposal deployment of any SRS part, review and closely follow all applicable environmental and hazardous material regulations. Pre-disposal deployment may be considered hazardous material treatment.

PROCEDURE

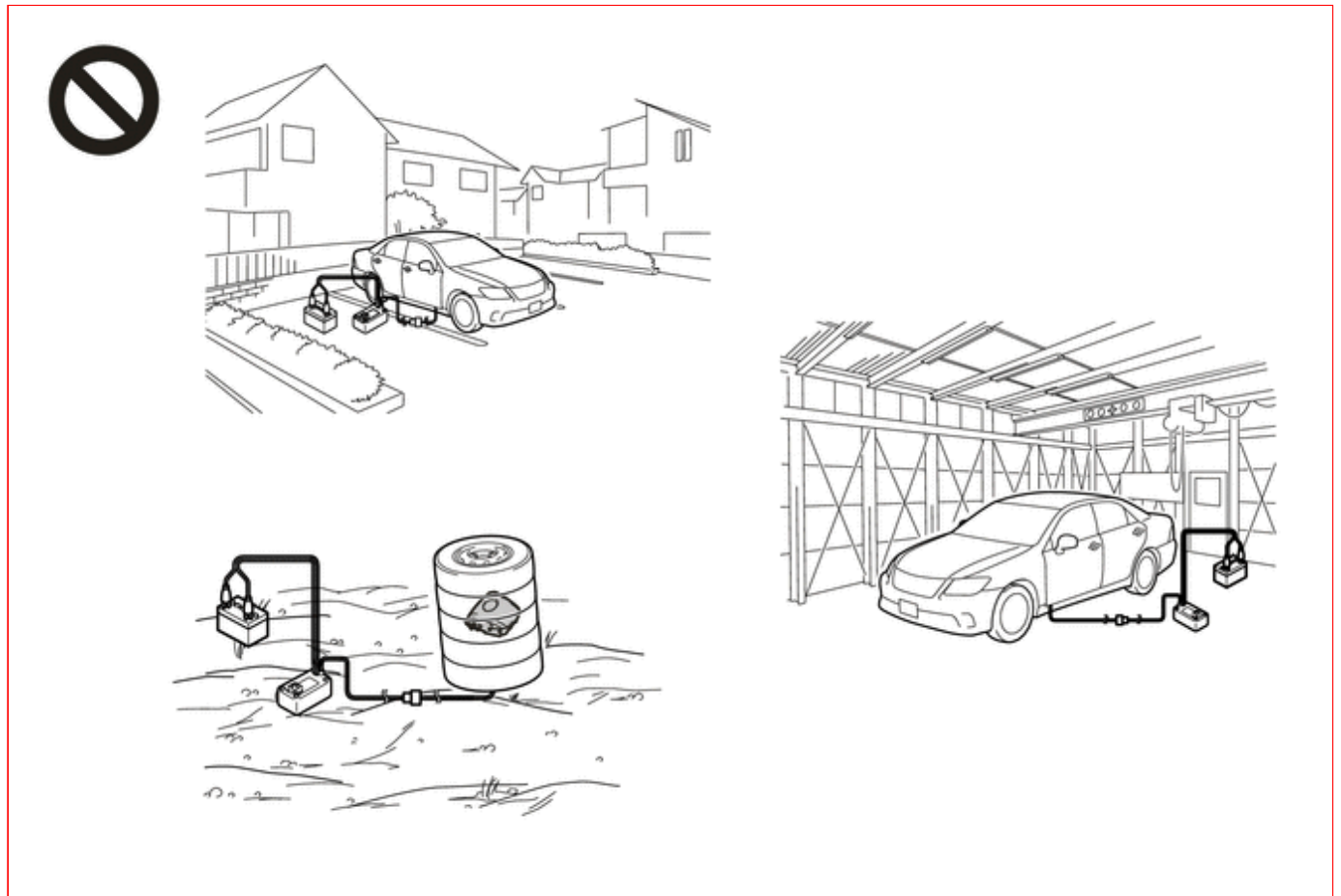
1. PRECAUTION

CAUTION:

- An airbag or pretensioner may be accidentally deployed by static electricity. To prevent this, be sure to touch a metal surface with your bare hands to discharge static electricity before performing this procedure.
- Never dispose of a curtain shield airbag assembly with an undeployed airbag.



- The airbag produces an exploding sound when it is deployed, so perform the operation outdoors where it will not disturb nearby residents.



- When deploying the airbag, always use the specified SST (SRS airbag deployment tool). Perform the operation in a place away from electrical noise.
- When deploying the airbag, perform the operation at least 10 m (32.8 ft.) away from the curtain shield airbag assembly.
- The curtain shield airbag assembly becomes extremely hot when the airbag is deployed, so do not touch it for at least 30 minutes after deployment.
- Use gloves and safety glasses when handling a curtain shield airbag assembly with a deployed airbag.
- Do not apply water, etc. to a curtain shield airbag assembly with a deployed airbag.
- Always wash your hands with water after completing the operation.

HINT:

When scrapping a vehicle equipped with an SRS or disposing of the curtain shield airbag assembly, be sure to deploy the airbag first in accordance with the following procedure. If any abnormality occurs with the airbag deployment, contact the Service Department of the distributor.

2. DISPOSE OF CURTAIN SHIELD AIRBAG ASSEMBLY (When Installed to Vehicle)

NOTICE:

- When disposing of a curtain shield airbag assembly, never use the customer's vehicle to deploy the airbag.
- Be sure to perform the following procedure when deploying the airbag.

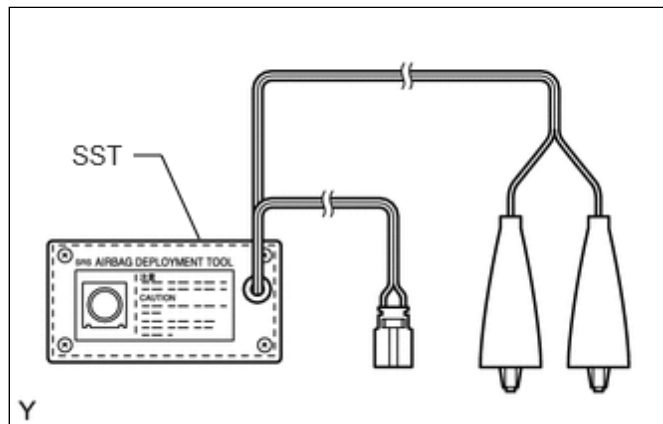
HINT:

Prepare an auxiliary battery as the power source to deploy the airbag.

(a) Check the function of SST.

Click here [INFO](#)

SST: 09082-00700



(b) Refer to Precaution.

Click here [INFO](#)

(c) Disconnect the cable from the negative (-) auxiliary battery terminal.

- for M20A-FXS:

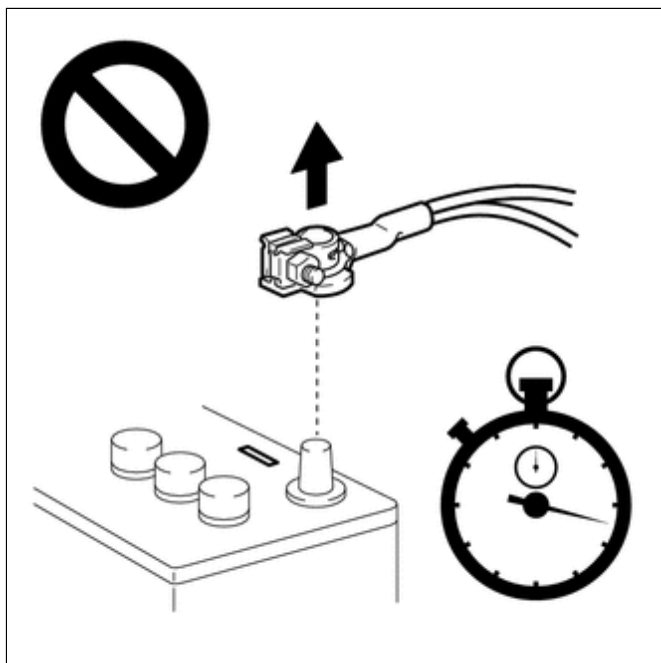
Click here [INFO](#)

- for 2ZR-FXE:

Click here [INFO](#)

CAUTION:

Wait at least 60 seconds after disconnecting the cable from the negative (-) auxiliary battery terminal to disable the SRS system.



(d) Remove the roof headlining assembly.

Click here [INFO](#)

(e) Disconnect the curtain shield airbag assembly connector.

NOTICE:

When disconnecting any airbag connector, take care not to damage the airbag wire harness.

HINT:

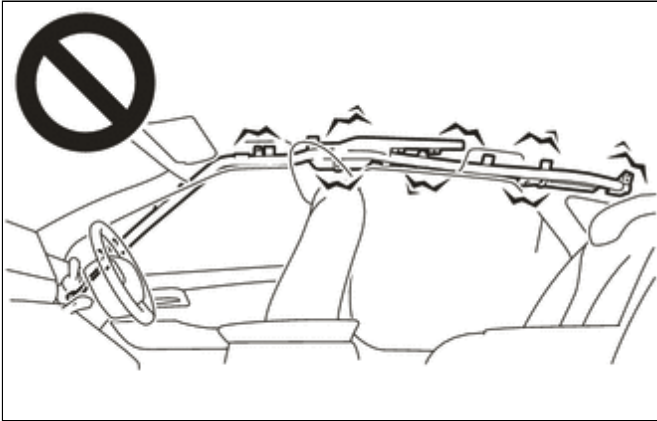
Refer to How to Connect or Disconnect Airbag Connector.

Click here [INFO](#)

(f) Install SST.

CAUTION:

Check that there is no looseness in the curtain shield airbag assembly.



(1) After connecting the following SST to each other, connect them to the curtain shield airbag assembly.

SST: 09082-00700

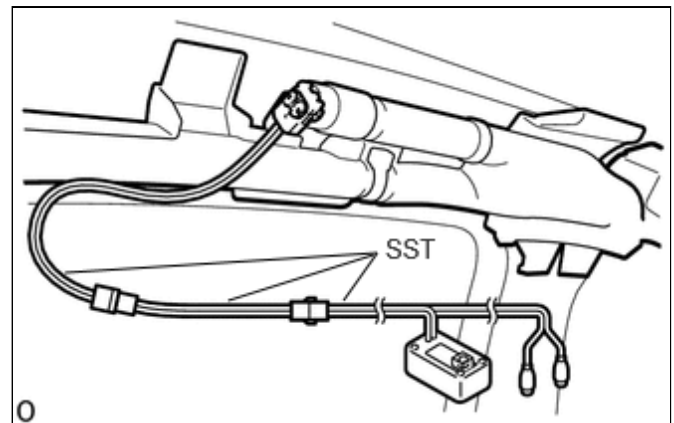
SST: 09082-00802

09082-10801

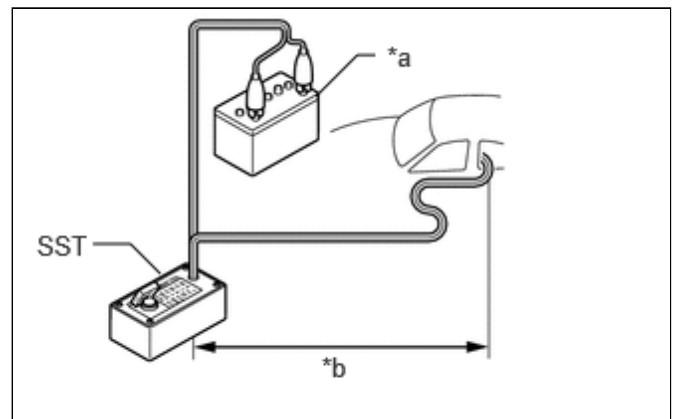
09082-20801

NOTICE:

To avoid damaging the SST connector or wire harness, do not lock the secondary lock of the twin lock.



(2) Move SST at least 10 m (32.8 ft.) away from the rear side window of the vehicle.



*a	Auxiliary Battery
----	-------------------

*b	10 m (32.8 ft.) or more
----	-------------------------

- (3) Maintaining sufficient clearance for the SST wire harness in the rear side window, close all doors and windows of the vehicle.

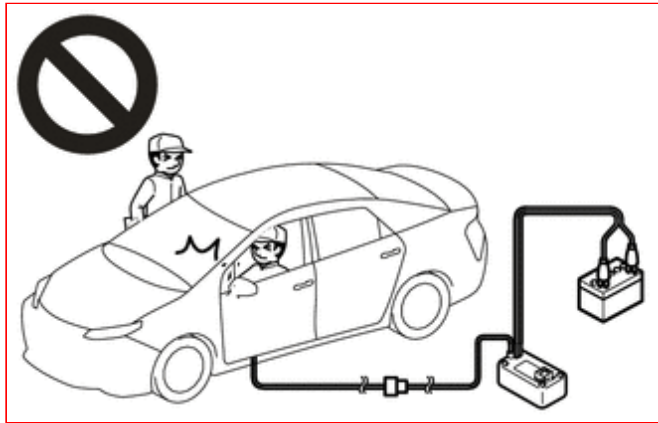
NOTICE:

Take care not to damage the SST wire harness.

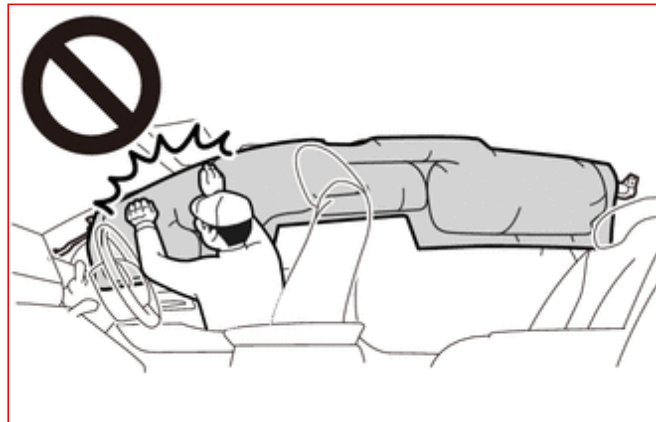
- (4) Connect the red clip of SST to the positive (+) auxiliary battery terminal and the black clip of SST to the negative (-) auxiliary battery terminal.
- (g) Deploy the airbag.
- (1) Check that no one is inside the vehicle or within a 10 m (32.8 ft.) radius of the vehicle.
- (2) Press the SST activation switch to deploy the airbag.

CAUTION:

- Before deployment, make sure that no one is inside or near the vehicle.

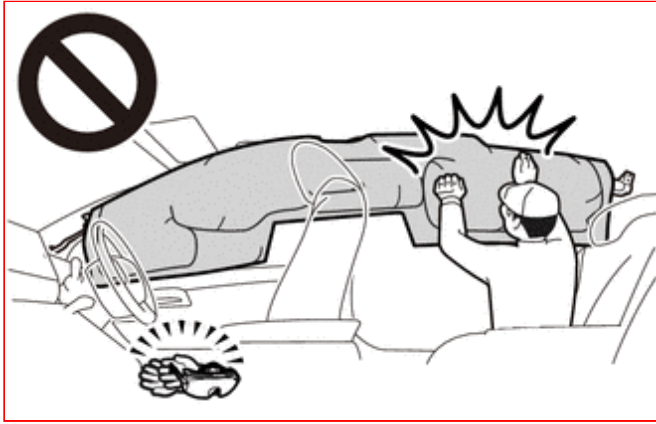


- The curtain shield airbag assembly becomes extremely hot when the airbag is deployed, so do not touch it for at

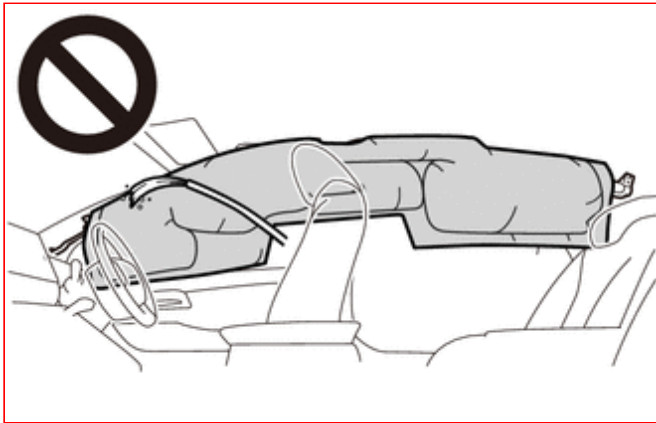


least 30 minutes after deployment.

- Use gloves and safety glasses when handling a curtain shield airbag assembly with a deployed airbag.



- Do not apply water, etc. to a curtain shield airbag assembly with a deployed airbag.



- Always wash your hands with water after completing the operation.

HINT:

The airbag is deployed as the LED of the SST activation switch comes on.

3. DISPOSE OF CURTAIN SHIELD AIRBAG ASSEMBLY (When not Installed to Vehicle)

NOTICE:

Be sure to perform the following procedure when deploying the airbag.

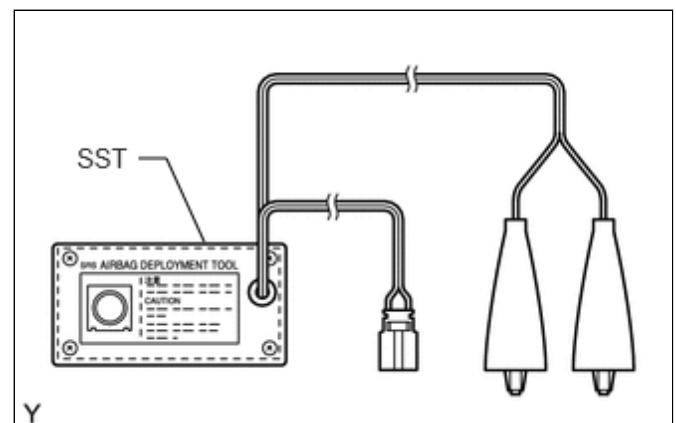
HINT:

Prepare an auxiliary battery as the power source to deploy the airbag.

(a) Check the function of SST.

Click here [INFO](#)

SST: 09082-00700

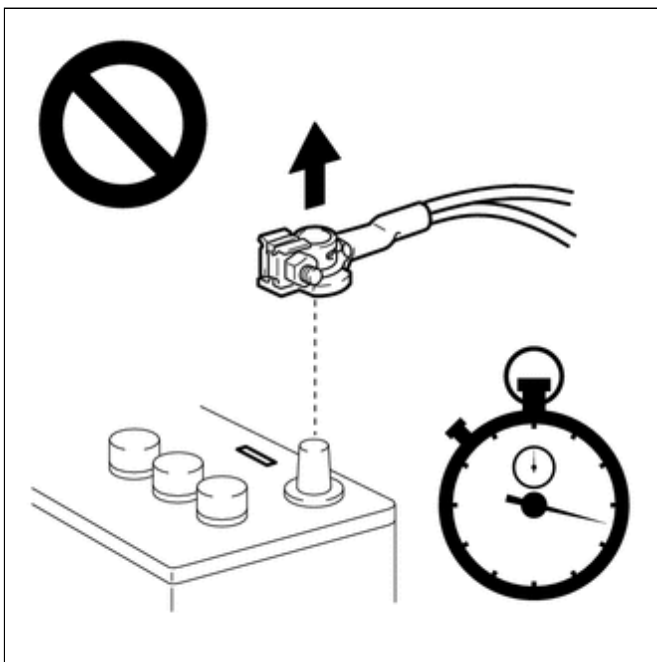
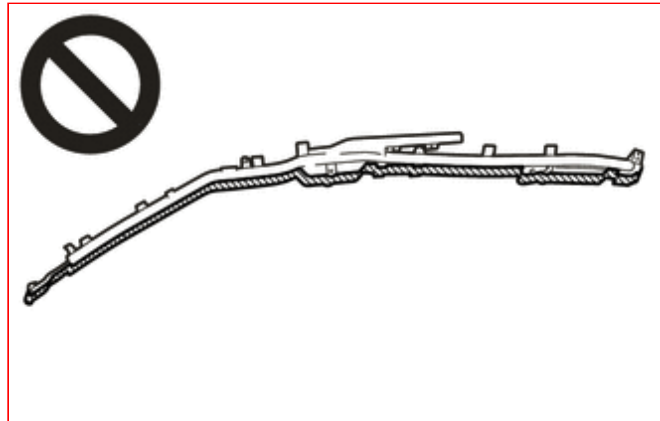


(b) Remove the curtain shield airbag assembly.

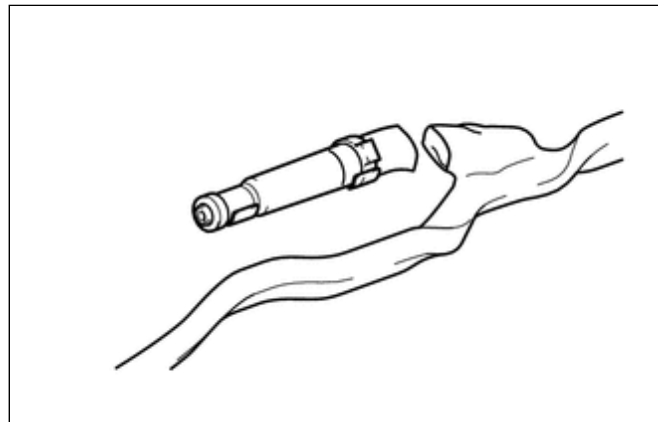
Click here [INFO](#)

CAUTION:

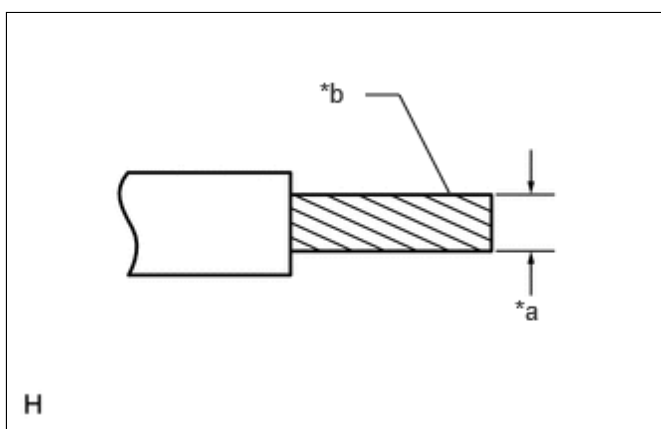
- Before removing the curtain shield airbag assembly, wait at least 60 seconds after turning the ignition switch off and disconnecting the cable from the negative (-) auxiliary battery terminal.
- When storing the curtain shield airbag assembly, keep the airbag deployment side facing upward.



(c) Cut off the deployment section of the curtain shield airbag assembly.



(d) Using braided wire, tie down the curtain shield airbag assembly to an unneeded tire.



*a	Wire Diameter
*b	Stripped Wire Cross Sectional Area

Wire:
 Stripped Wire Cross Sectional Area
 1.25 mm² (0.0019 in.²) or more

CAUTION:

If the wire is too thin or an alternative object is used to tie down the curtain shield airbag assembly, it may snap when the airbag is deployed. Always use a wire for vehicle use with a cross sectional area of at least 1.25 mm² (0.0019 in.²).

HINT:

To calculate the cross sectional area of the stripped wire:

$$\text{Cross sectional area} = 3.14 \times (\text{Diameter})^2 / 4$$

(1) Position the curtain shield airbag assembly inside the tire as shown in the illustration.

Minimum Tire Size:

Width

185 mm (7.28 in.)

Inner Diameter

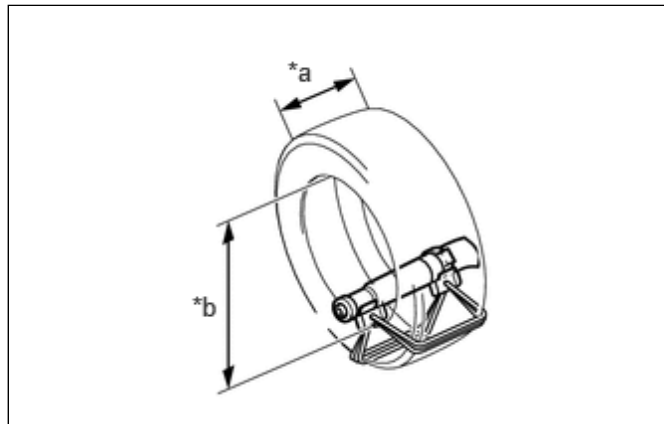
360 mm (1.18 ft.)

CAUTION:

Make sure that the wires are tight. If there is slack in the wires, the curtain shield airbag assembly may break loose when the airbag is deployed.

NOTICE:

The tire may be damaged by the airbag deployment, so use an unneeded tire.



*a	Width
*b	Inner Diameter

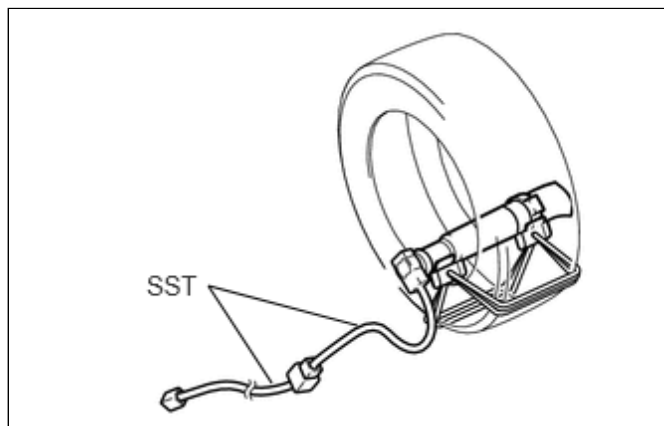
(e) Install SST.

(1) After connecting the following SST to each other, connect them to the curtain shield airbag assembly.

SST: 09082-00802

09082-10801

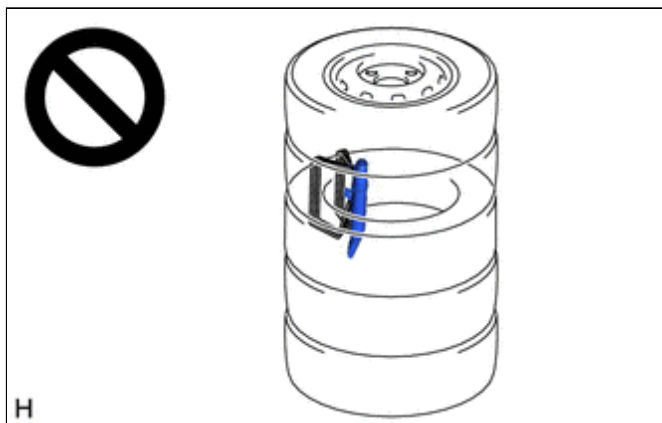
09082-20801



(f) Place the tires.

CAUTION:

Do not face the deployment side of the curtain shield airbag assembly toward the ground.



- (1) Place at least 2 tires under the tire to which the curtain shield airbag assembly is tied.

Minimum Tire Size:

Width

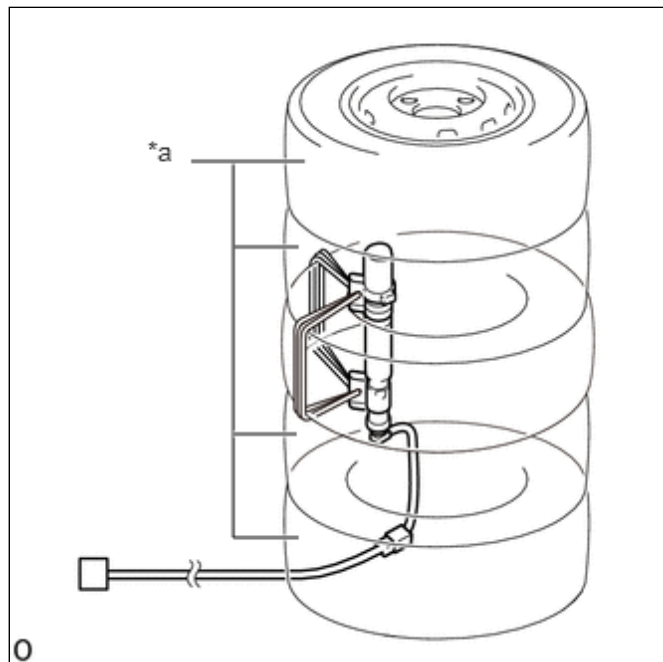
185 mm (7.28 in.)

Inner Diameter

360 mm (1.18 ft.)

NOTICE:

Do not place the SST connector under the tire because it could be damaged.



*a	Tires (2 or more)
----	-------------------

- (2) Place at least 2 tires onto the tire to which the curtain shield airbag assembly is tied. The top tire should have a wheel installed.

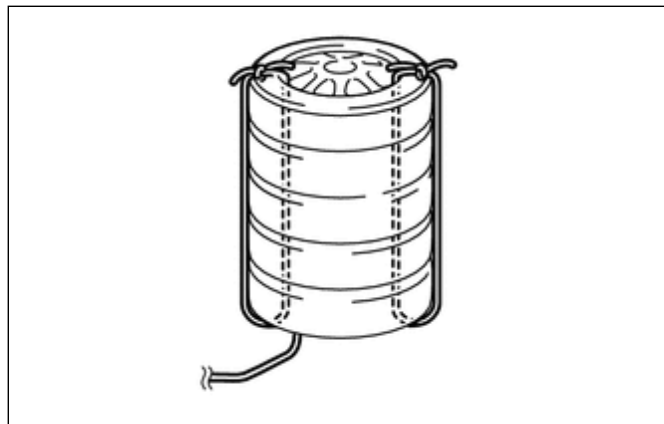
NOTICE:

The wheel and tires may be damaged by the airbag deployment, so use an unneeded wheel and tires.

- (3) Tie the tires together with 2 wires.

CAUTION:

Make sure that the wires are tight. Looseness in the wires will result in the tires breaking loose when the airbag is deployed.



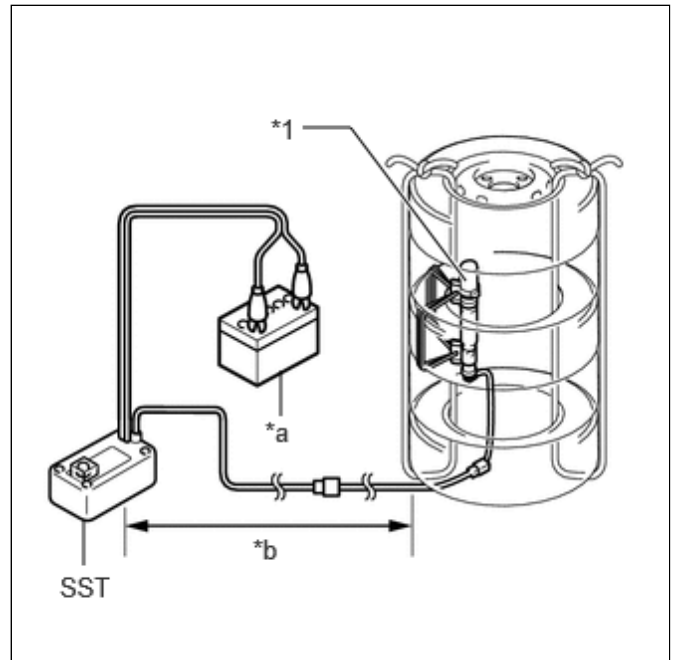
- (g) Install SST.

(1) Connect the SST connector.

SST: 09082-00700

NOTICE:

To avoid damaging the SST connector or wire harness, do not lock the secondary lock of the twin lock. Also, secure some slack for the SST wire harness inside the tire.



*1	Curtain Shield Airbag Assembly
*a	Auxiliary Battery
*b	10 m (32.8 ft.) or more

(2) Move SST at least 10 m (32.8 ft.) away from the airbag tied down to the tire.

(h) Deploy the airbag.

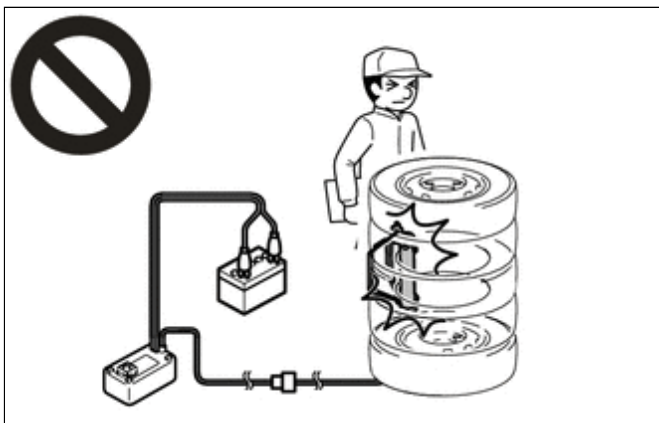
(1) Connect the red clip of SST to the positive (+) auxiliary battery terminal and the black clip of SST to the negative (-) auxiliary battery terminal.

(2) Check that no one is within a 10 m (32.8 ft.) radius of the tire to which the curtain shield airbag assembly is tied.

(3) Press the SST activation switch to deploy the airbag.

CAUTION:

Before deployment, make sure that no one is near the airbag.



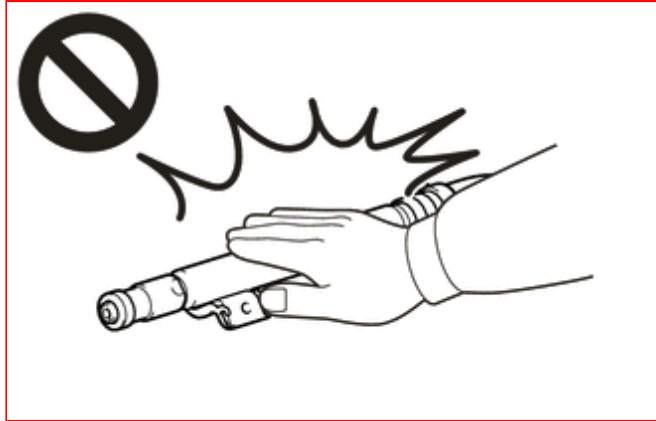
HINT:

The airbag is deployed as the LED of the SST activation switch comes on.

(i) Dispose of the curtain shield airbag assembly.

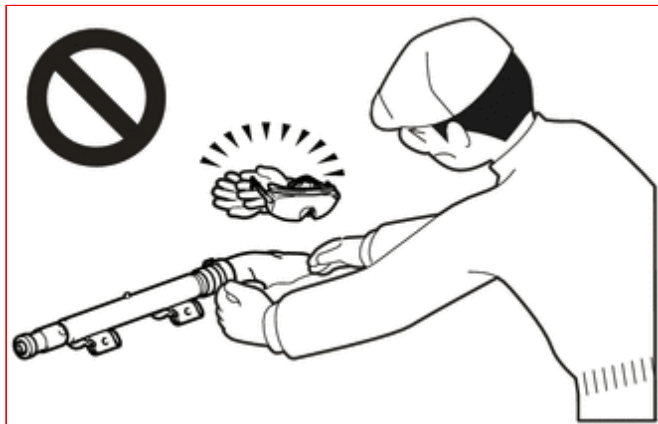
CAUTION:

- The curtain shield airbag assembly becomes extremely hot when the airbag is deployed, so do not touch it for at

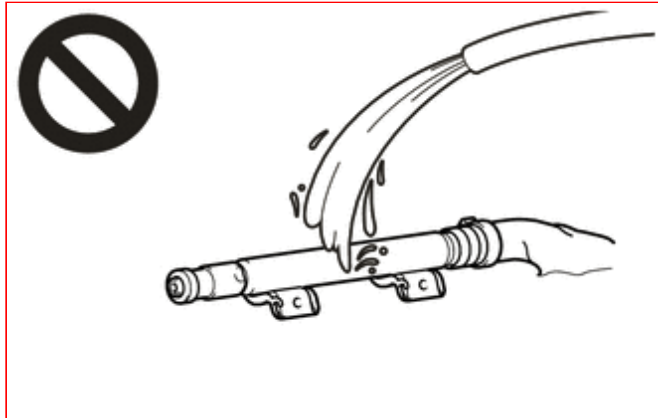


least 30 minutes after deployment.

- Use gloves and safety glasses when handling a curtain shield airbag assembly with a deployed airbag.



- Do not apply water, etc. to a curtain shield airbag assembly with a deployed airbag.



- Always wash your hands with water after completing the operation.

(1) Remove the curtain shield airbag assembly from the tire.

(2) Place the curtain shield airbag assembly in a plastic bag, tie it tightly, and dispose of it according to local regulations.

