

Last Modified: 12-04-2024	6.11:8.1.0	Doc ID: RM100000002BJBE
Model Year Start: 2023	Model: Prius Prime	Prod Date Range: [03/2023 -]
Title: SEAT: FRONT SEAT CUSHION HEATER (for Power Seat): REMOVAL; 2023 - 2024 MY Prius Prius Prime [03/2023 -]		

REMOVAL

CAUTION / NOTICE / HINT

The necessary procedures (adjustment, calibration, initialization, or registration) that must be performed after parts are removed and installed, or replaced during front seat cushion heater assembly removal/installation are shown below.

Necessary Procedures After Parts Removed/Installed/Replaced

REPLACED PART OR PERFORMED PROCEDURE	NECESSARY PROCEDURE	EFFECT/INOPERATIVE FUNCTION WHEN NECESSARY PROCEDURE NOT PERFORMED	LINK
<ul style="list-style-type: none"> • Front seatback frame sub-assembly LH* • Front seat adjuster assembly LH* 	Initialize position control ECU	Front Power Seat Control System (w/ Memory)	WFO

*: Even when not replacing the part, it is necessary to perform the specified necessary procedures after installation.

CAUTION:

Wear protective gloves. Sharp areas on the parts may injure your hands.



CAUTION / NOTICE / HINT

HINT:

When the cable is disconnected / reconnected to the auxiliary battery terminal, systems temporarily stop operating. However, each system has a function that completes learning the first time the system is used.

• **Learning completes when vehicle is driven**

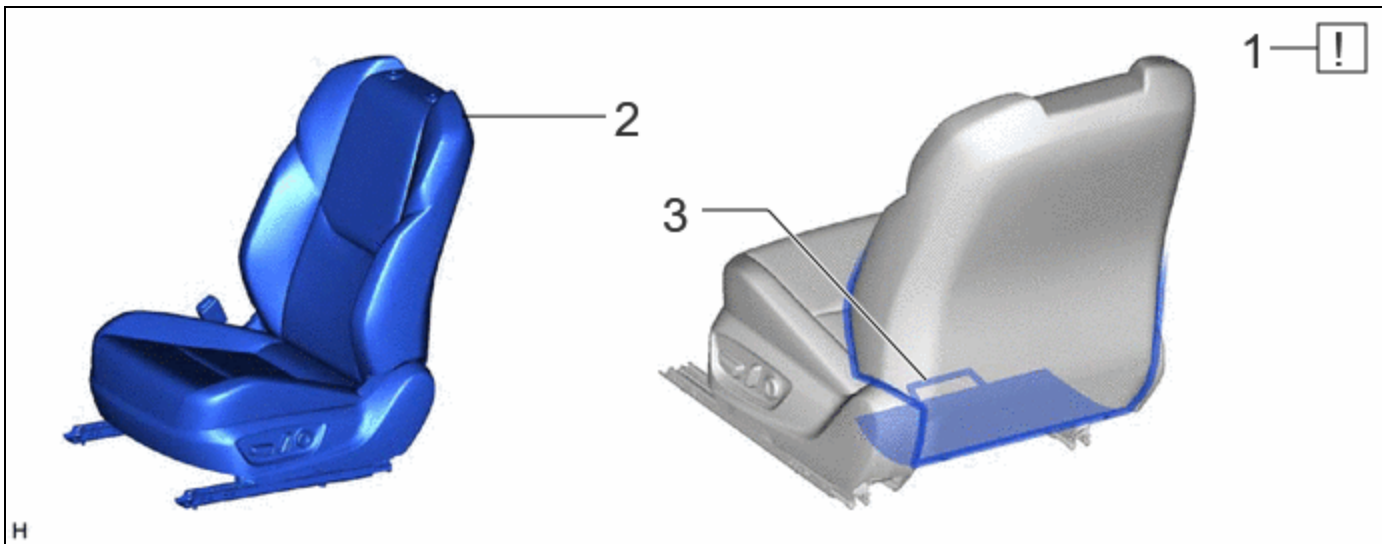
EFFECT/INOPERATIVE FUNCTION WHEN NECESSARY PROCEDURE NOT PERFORMED	NECESSARY PROCEDURE	LINK
Front Camera System	Drive the vehicle straight ahead at 35 km/h (22 mph) or more for 5 seconds or more.	INFO

• **Learning completes when vehicle is operated normally**




EFFECT/INOPERATIVE FUNCTION WHEN NECESSARY PROCEDURE NOT PERFORMED	NECESSARY PROCEDURE	LINK
Power Door Lock Control System*1 <ul style="list-style-type: none"> Back door opener 	Perform door unlock operation with door control switch or electrical key transmitter sub-assembly switch.	INFO
Power Back Door System*2	Reset back door close position	INFO
Air Conditioning System	for HEV Model: After the ignition switch is turned to ON, the servo motor standard position is recognized. for PHEV Model: After the ignition switch is turned to ON, the servo motor and expansion valve standard position is recognized.	-
*1: w/o Power Back Door System *2: w/ Power Back Door System		

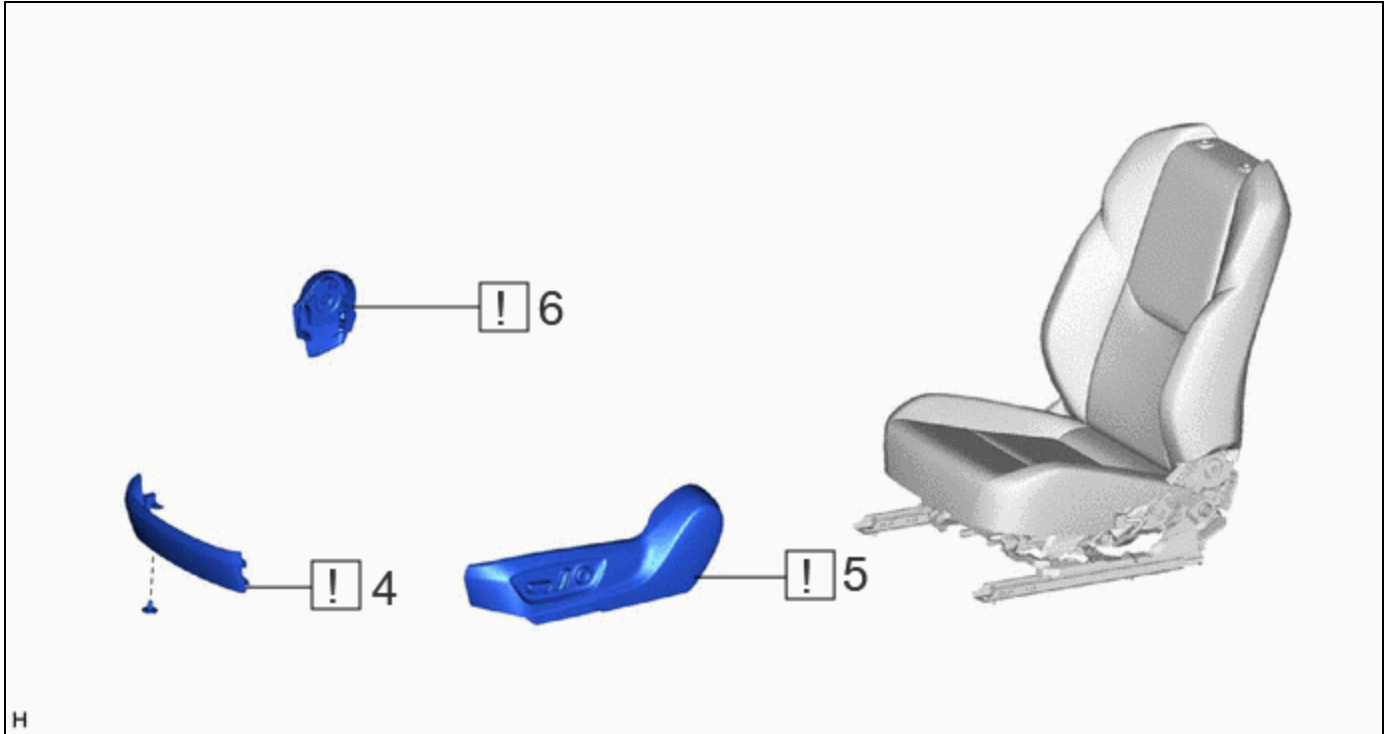
CAUTION / NOTICE / HINT




COMPONENTS (REMOVAL)

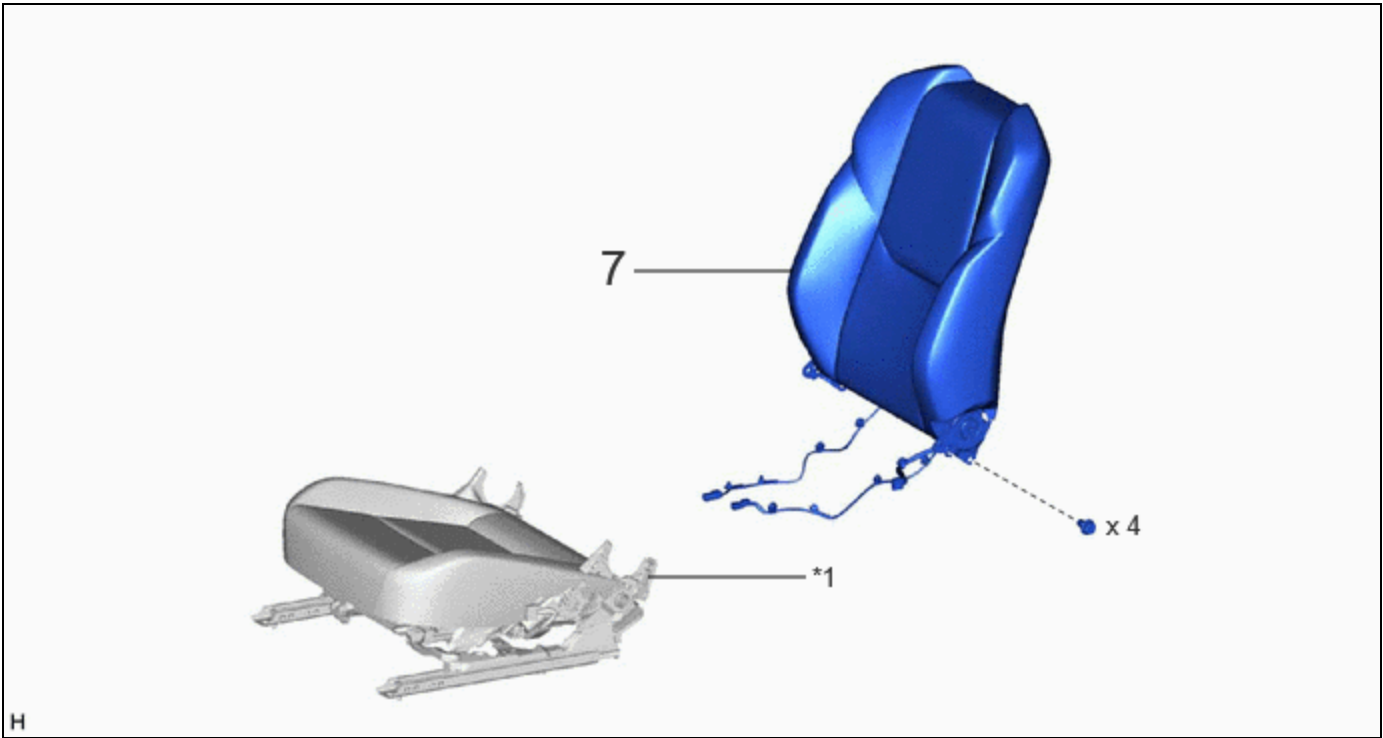


PROCEDURE	PART NAME CODE			
1 PRECAUTION	-	INFO	-	-

PROCEDURE		PART NAME CODE			
2	FRONT SEAT ASSEMBLY	-	-	-	-
3	DISCONNECT SEPARATE TYPE FRONT SEATBACK COVER	71074S	-	-	-



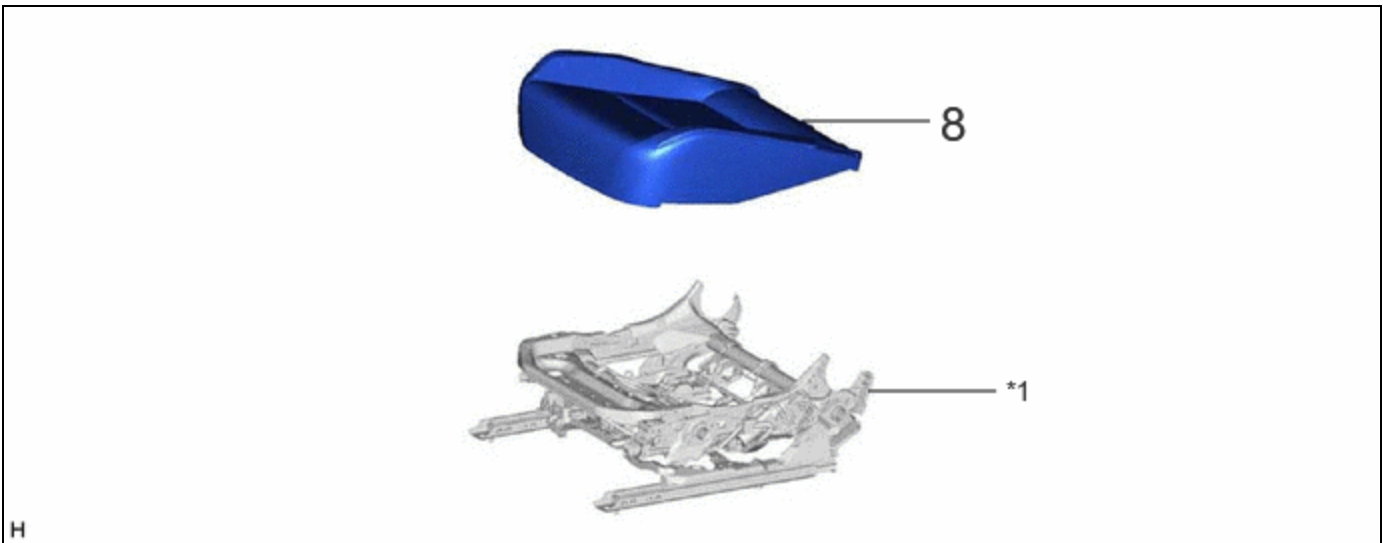
PROCEDURE		PART NAME CODE			
4	FRONT SEAT FRONT CUSHION SHIELD	71868N	INFO	-	-
5	FRONT SEAT CUSHION SHIELD	71812D	INFO	-	-
6	FRONT SEAT INNER CUSHION SHIELD	71862	INFO	-	-



H

PROCEDURE	PART NAME CODE	!	📄	⚙️
7 SEPARATE TYPE FRONT SEATBACK ASSEMBLY	-	-	-	-

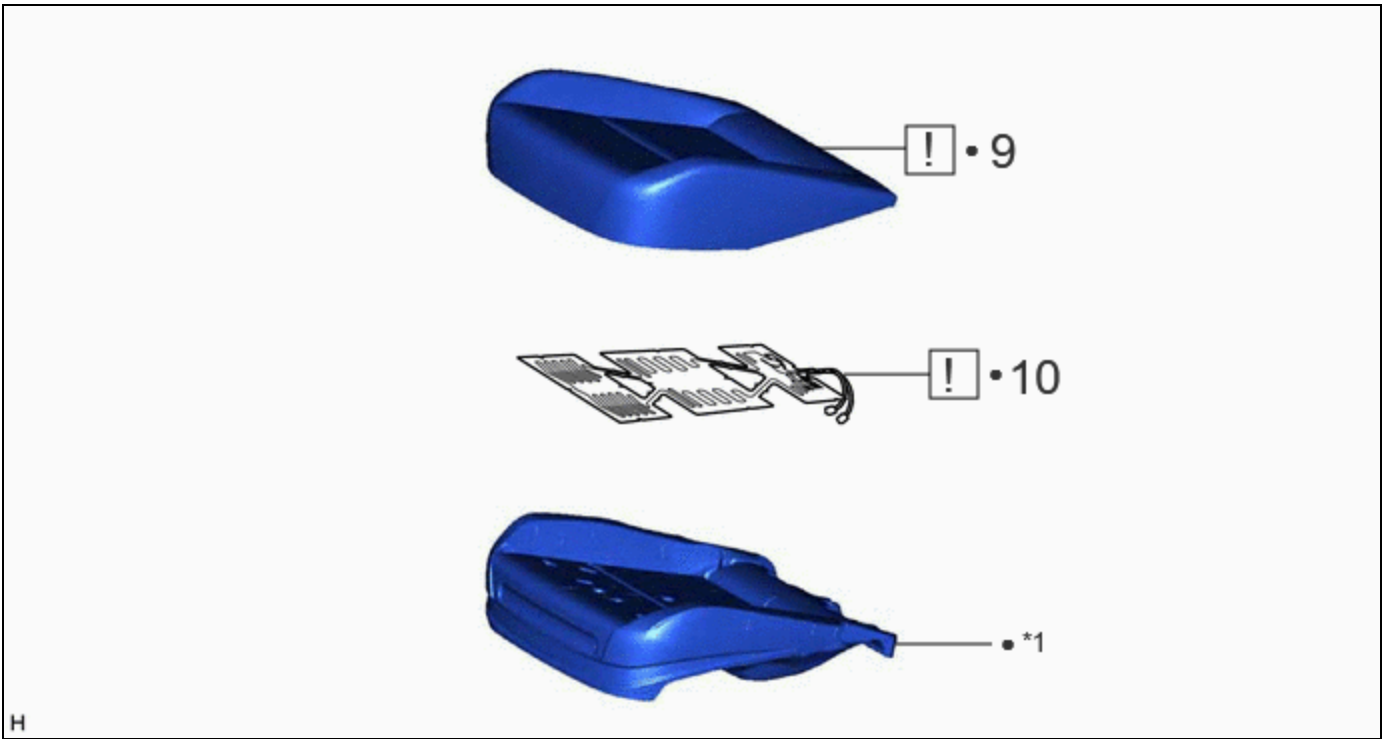
*1 SEPARATE TYPE FRONT SEAT CUSHION ASSEMBLY	-	-
--	---	---



H

PROCEDURE	PART NAME CODE	!	📄	⚙️
8 SEPARATE TYPE FRONT SEAT CUSHION COVER WITH PAD	-	-	-	-

*1	SEPARATE TYPE FRONT SEAT CUSHION SPRING ASSEMBLY	-	-
----	--	---	---



PROCEDURE		PART NAME CODE			
9	SEPARATE TYPE FRONT SEAT CUSHION COVER	71072S	INFO	-	-
10	FRONT SEAT CUSHION HEATER ASSEMBLY	87510L	INFO	-	-

*1	SEPARATE TYPE FRONT SEAT CUSHION PAD	-	-
•	Non-reusable part	-	-

PROCEDURE

1. PRECAUTION

	<p>NOTICE:</p> <p>After the ignition switch is turned off, there may be a waiting time before disconnecting the negative (-) auxiliary battery terminal.</p> <p>Click here INFO</p>
--	--

2. REMOVE FRONT SEAT ASSEMBLY

Click here [INFO](#)

3. DISCONNECT SEPARATE TYPE FRONT SEATBACK COVER

Click here [INFO](#)

4. REMOVE FRONT SEAT FRONT CUSHION SHIELD

	Click here INFO
---	---------------------------------

5. REMOVE FRONT SEAT CUSHION SHIELD

	Click here INFO
---	---------------------------------

6. REMOVE FRONT SEAT INNER CUSHION SHIELD

	Click here INFO
---	---------------------------------

7. REMOVE SEPARATE TYPE FRONT SEATBACK ASSEMBLY

Click here [INFO](#)


8. REMOVE SEPARATE TYPE FRONT SEAT CUSHION COVER WITH PAD

Click here [INFO](#)

9. REMOVE SEPARATE TYPE FRONT SEAT CUSHION COVER

	Click here INFO
---	---------------------------------

10. REMOVE FRONT SEAT CUSHION HEATER ASSEMBLY

	<p>NOTICE:</p> <p>Replace the front seat cushion heater assembly and separate type front seat cushion pad as a set.</p>
---	--

