

Last Modified: 12-04-2024	6.11:8.1.0	Doc ID: RM100000028NQK
Model Year Start: 2023	Model: Prius Prime	Prod Date Range: [12/2022 -]
Title: TIRE PRESSURE MONITORING: TIRE PRESSURE WARNING SYSTEM: DIAGNOSIS SYSTEM; 2023 - 2024 MY Prius Prius Prime [12/2022 -]		

DIAGNOSIS SYSTEM

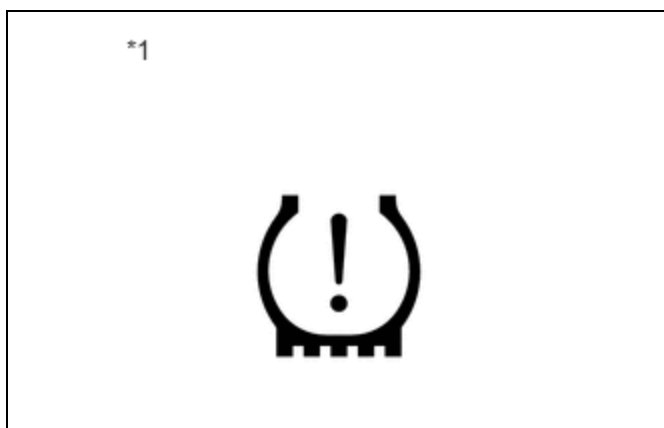
CHECK WARNING LIGHT

NOTICE:

- When there is a problem with the tire pressure warning system, the tire pressure warning light blinks at 0.5 second intervals, and illuminates after 1 minute.
- When the malfunction has been corrected, the tire pressure warning light goes off.
- When the tire pressure warning light illuminates, immediately check the tire pressure of the tires and adjust them to the specified value.
- After the power switch is turned to ON (IG), the tire pressure warning light illuminates for 3 seconds and then goes off. If the warning light does not illuminate for 3 seconds, proceed to the troubleshooting for the tire pressure warning light circuit.

Click here [INFO](#)

- (a) Turn the power switch to ON (IG).



*1	Tire Pressure Warning Light
----	-----------------------------

- (b) Check that the tire pressure warning light illuminates for 3 seconds.

WHAT TO CONSIDER WHEN TIRE PRESSURE WARNING LIGHT ILLUMINATES

- (a) When the tire pressure warning light does not go off, or when it illuminates during driving, check the tire pressure. If the tire pressure warning light illuminates within several hours after adjusting the tire pressure, a tire may have a slow air leak.
- (b) The system is disabled under the following conditions (when the condition returns to normal, the system will work properly).
- (1) When all of the tire and wheel assemblies that have tire pressure warning valve and transmitters registered with the tire pressure warning ECU and receiver have not been installed.
 - (2) When all of the transmitter ID codes are not registered with the tire pressure warning ECU and receiver.
 - (3) When the tire pressure warning valve and transmitter battery is depleted.
- (c) The system may be disabled under the following conditions (when the condition returns to normal, the system will work properly).
- (1) When electric devices or facilities using similar radio frequencies are nearby.
 - (2) When a wireless device or other equipment operating at a similar frequency is in use in the vehicle.

- (3) When a window tint that affects radio wave signals is installed.
- (4) When there is a lot of snow or ice on the vehicle, in particular, around the wheels or wheel housing.
- (5) When non-genuine wheels are used.
- (6) When tire chains are used.
- (7) When aftermarket tire repair sealant is used.

CAUTION:

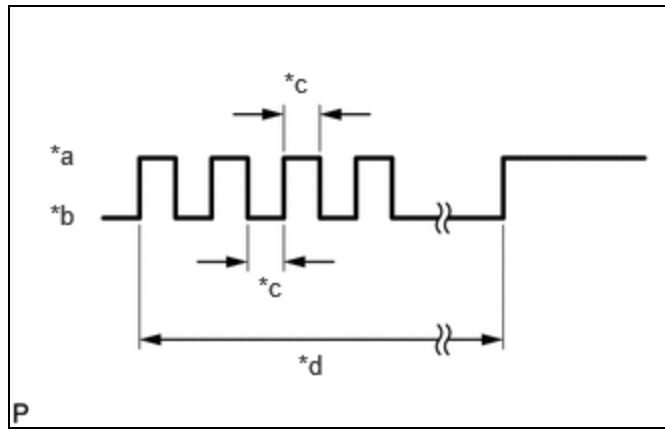
After use of tire repair sealant, replacement of the tire pressure warning valve and transmitter is required to ensure normal system operation. (Normal system operation cannot be ensured by only repairing or replacing the tire.)

TIRE PRESSURE WARNING LIGHT AND INDICATOR CHART**HINT:**

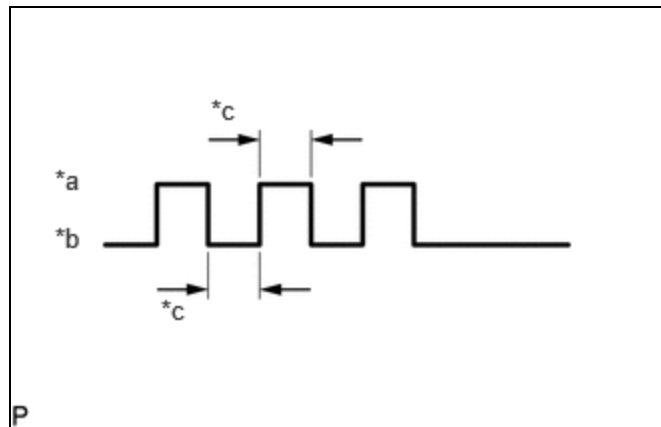
The table below indicates the state of the tire pressure warning light after the power switch is turned to ON (IG).

	IMMEDIATELY AFTER TURNING THE POWER SWITCH TO ON (IG)		ALWAYS			
			WARNING LIGHT OUTPUT PATTERN			MULTI-INFORMATION DISPLAY CONDITION
	ILLUMINATES FOR 3 SEC.	ILLUMINATES FOR 4 SEC.	GOES OFF	ILLUMINATES	BLINKS	DISPLAY
Normal	○	-	○	-	-	-
Low tire pressure	○	-	-	○	-	Tire Pressure Low Check Tire
System failure	○	-	-	-	*1	TPWS Malfunction Visit Your Dealer HINT: TPWS is the abbreviation of Tire Pressure Warning System
Tire pressure initialization	-	○	-	-	*2	Setting Tire Pressure Warning System
Tire position identification in progress	○	-	○	-	-	-
ECU connector poorly connected	-	-	-	-	*3	-
ID certification, automatic ID registration	○	-	-	-	*1	Tire Pressure Recalibrating Please Wait until Complete

*1: Blinks at 0.5 second intervals, and stays illuminated after 1 minute.



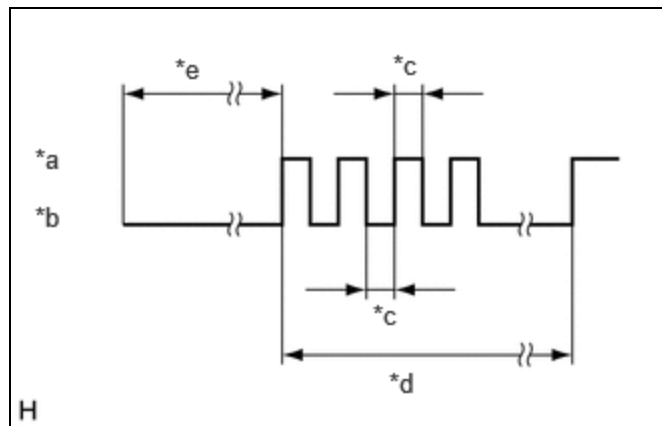
*a	ON
*b	OFF
*c	0.5 sec.
*d	1 minute



*2: Blinks 3 times at 1 second intervals.

*a	ON
*b	OFF
*c	1 sec.

*3: Goes off for 10 seconds to check the connection of the ECU connector, and then blinks at 0.5 second intervals, and stays illuminated after 1 minute.



intervals, and stays illuminated after 1 minute.

*a	ON
*b	OFF
*c	0.5 sec.
*d	1 minute

*e	10 sec.
----	---------

NORMAL MODE DTC

(a) DTCs are stored in the tire pressure warning ECU and receiver and output by using the GTS.

