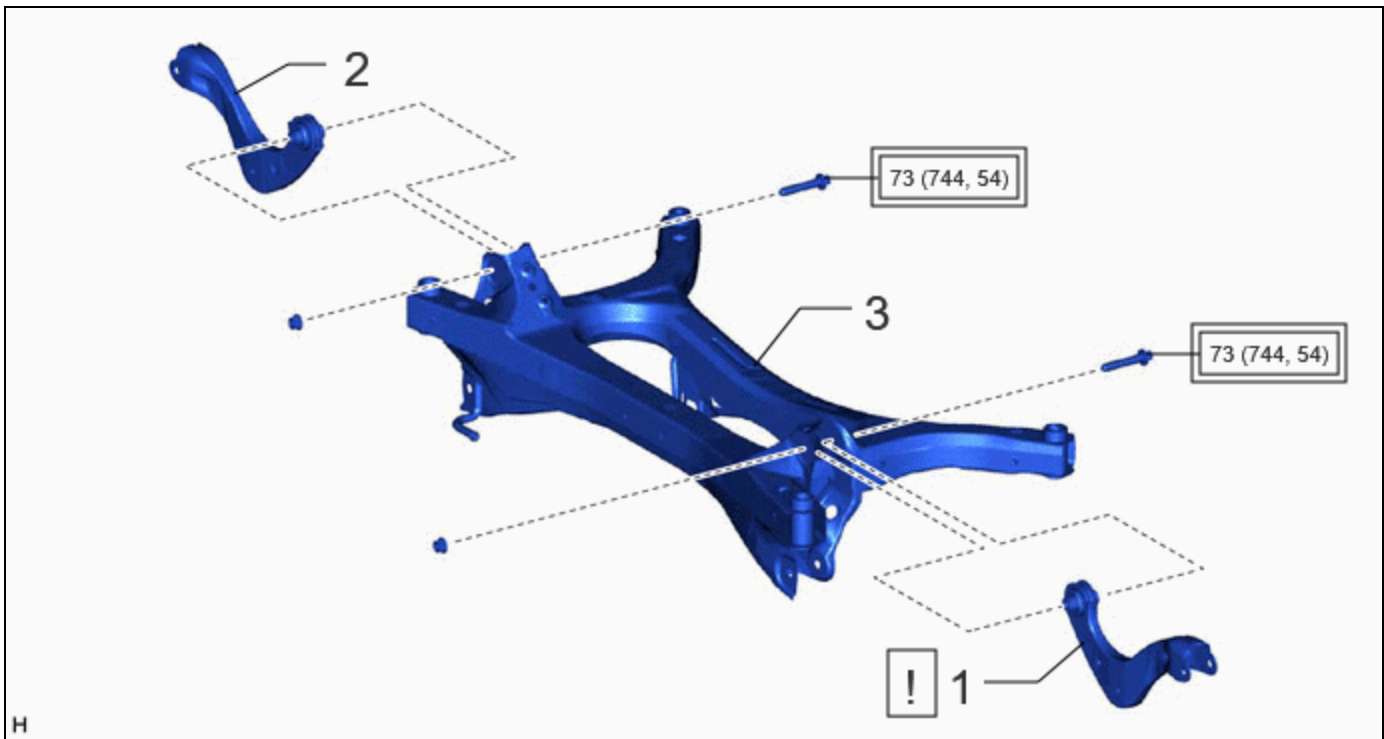


<b>Last Modified:</b> 12-04-2024	6.11:8.1.0	<b>Doc ID:</b> RM1000000029HHZ
<b>Model Year Start:</b> 2023	<b>Model:</b> Prius Prime	<b>Prod Date Range:</b> [12/2022 - ]
<b>Title:</b> REAR SUSPENSION: REAR UPPER ARM: INSTALLATION; 2023 - 2024 MY Prius Prius Prime [12/2022 - ]		

## INSTALLATION

### CAUTION / NOTICE / HINT

#### COMPONENTS (INSTALLATION)

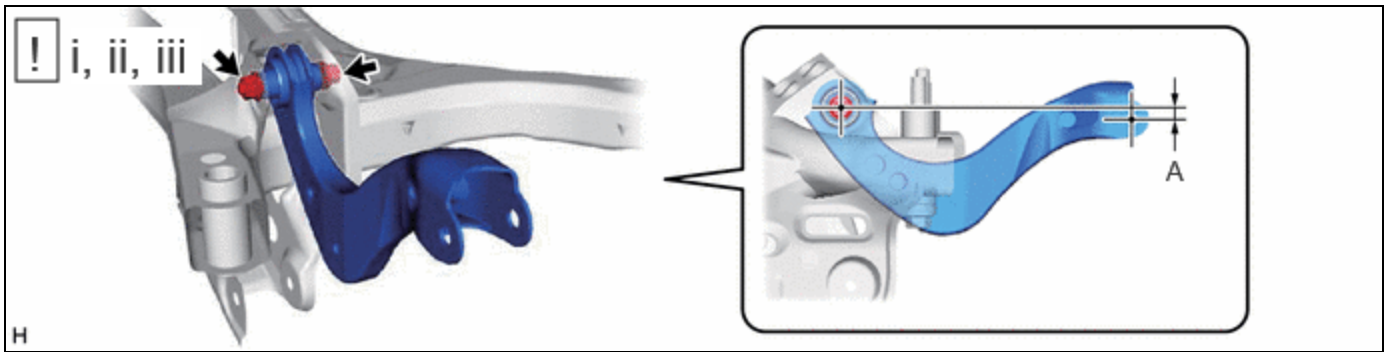


PROCEDURE		PART NAME CODE			
1	REAR UPPER CONTROL ARM ASSEMBLY LH	48790	<b>INFO</b>	-	-
2	REAR UPPER CONTROL ARM ASSEMBLY RH	48770A	-	-	-
3	REAR SUSPENSION MEMBER SUB-ASSEMBLY	51206A	-	-	-

	Tightening torque for "Major areas involving basic vehicle performance such as moving/turning/stopping": N*m (kgf*cm, ft.*lbf)	-	-
--	--------------------------------------------------------------------------------------------------------------------------------	---	---

## PROCEDURE

### 1. INSTALL REAR UPPER CONTROL ARM ASSEMBLY LH



- (1) Temporarily install the rear upper control arm assembly LH to the rear suspension member sub-assembly with the bolt and nut.

**NOTICE:**

- Because the nut has its own stopper, do not turn the nut. Tighten the bolt with the nut secured.
- Insert the bolt with the threaded end facing the front of the vehicle.

- (2) Position the rear upper control arm assembly LH as shown in the illustration.

Reference Length (A):

1.2 mm (0.047 in.)

- (3) Fully tighten the bolt.

**Torque:**

**73 N·m {744 kgf·cm, 54 ft·lbf}**

**NOTICE:**

Because the nut has its own stopper, do not turn the nut. Tighten the bolt with the nut secured.

**2. INSTALL REAR UPPER CONTROL ARM ASSEMBLY RH**

**3. INSTALL REAR SUSPENSION MEMBER SUB-ASSEMBLY**

for 2WD: Click here [INFO](#)

for AWD: Click here [INFO](#)

