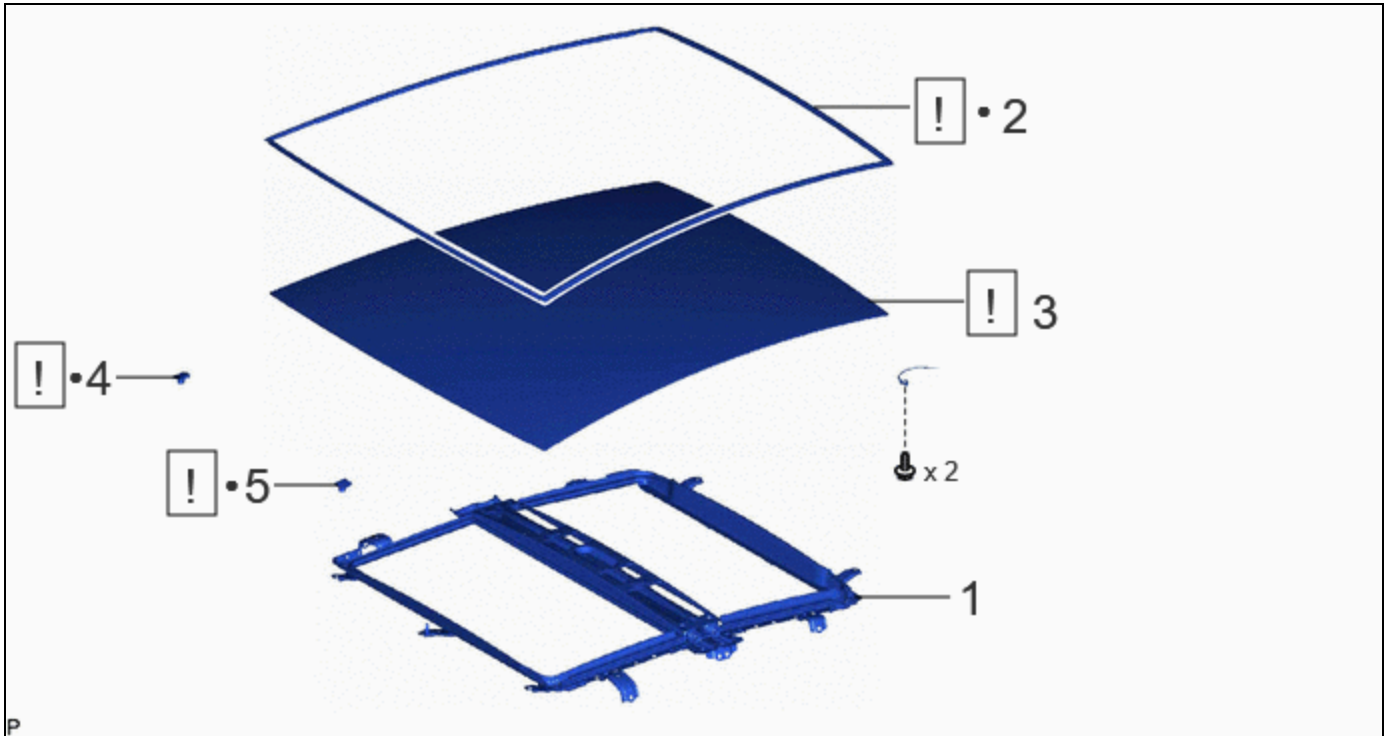


Last Modified: 12-04-2024	6.11:8.1.0	Doc ID: RM100000002B5CJ
Model Year Start: 2023	Model: Prius Prime	Prod Date Range: [03/2023 -]
Title: M20A-FXS (BATTERY / CHARGING): SOLAR ROOF: REMOVAL; 2023 - 2024 MY Prius Prius Prime [03/2023 -]		

REMOVAL

CAUTION / NOTICE / HINT

COMPONENTS (REMOVAL)



	PROCEDURE	PART NAME CODE	!	📄	⚙️
1	SUNSHADE HOUSING ASSEMBLY	63250H	-	-	-
2	ROOF WINDOW UPPER MOULDING	63215A	INFO	-	-
3	NO. 1 ROOF WINDOW GLASS SUB-ASSEMBLY	-	INFO	-	-
4	ROOF WINDOW LOWER CLIP	63227M	INFO	-	-
5	ROOF WINDOW SIDE CLIP	63228N	INFO	-	-

•	Non-reusable part	-	-
---	-------------------	---	---

PROCEDURE

1. REMOVE SUNSHADE HOUSING ASSEMBLY

Click here [INFO](#)

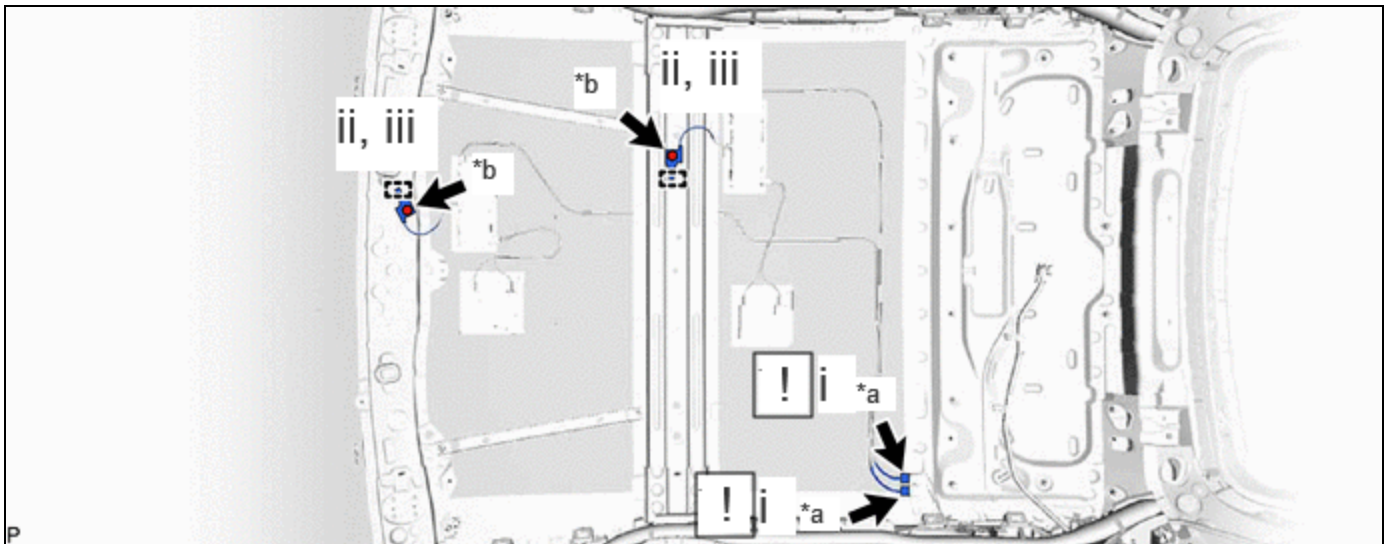
2. REMOVE ROOF WINDOW UPPER MOULDING

	Click here INFO
--	---------------------------------

3. REMOVE NO. 1 ROOF WINDOW GLASS SUB-ASSEMBLY

NOTICE:

- To prevent the No. 1 roof window glass sub-assembly from falling when performing this operation, be sure to hold the windshield glass using suction cups from outside of the vehicle.
- Depending on the condition or location to be cut, use a windshield knife or piano wire.



*a	Connector	*b	Bolt
----	-----------	----	------

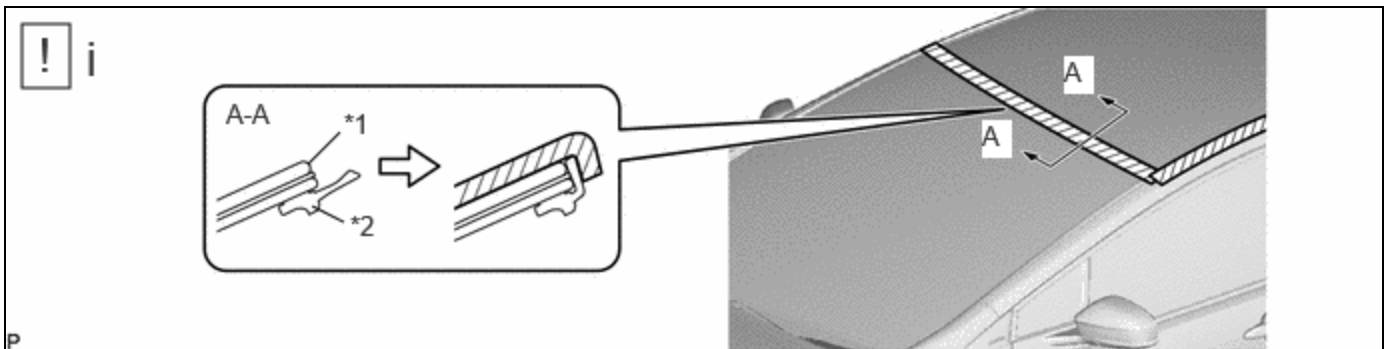
(1) Disconnect the 2 connectors.

NOTICE:


Do not touch the positive and negative terminals. If the solar roof is exposed to light, it may cause short-circuit.

(2) Remove the 2 bolts.

(3) Disengage the 2 guides.



*1	Windshield Glass	*2	Windshield Outside Moulding
----	------------------	----	-----------------------------

	Protective Tape	-	-
-----------------------------------------------------------------------------------	-----------------	---	---

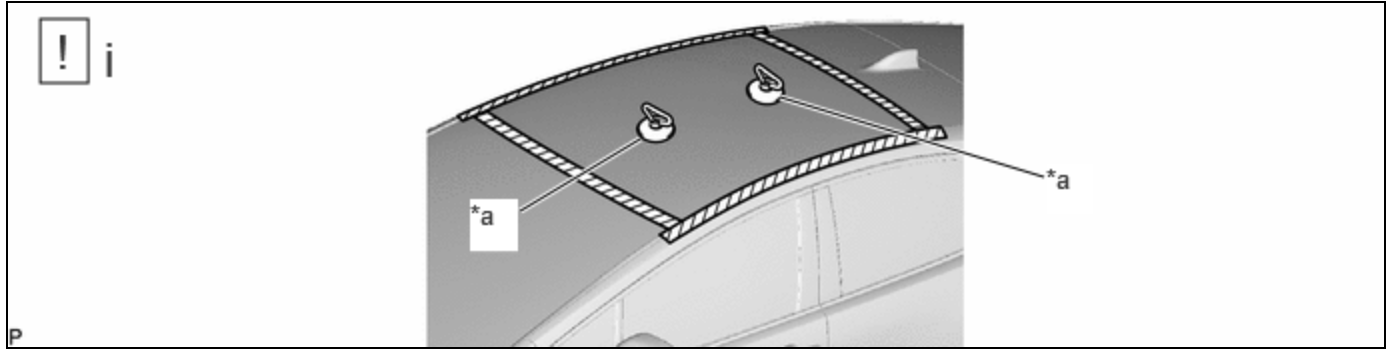
(1) Pull back the windshield outside moulding and secure it with tape as shown in the illustration.

NOTICE:

Be careful not to damage the windshield outside moulding.

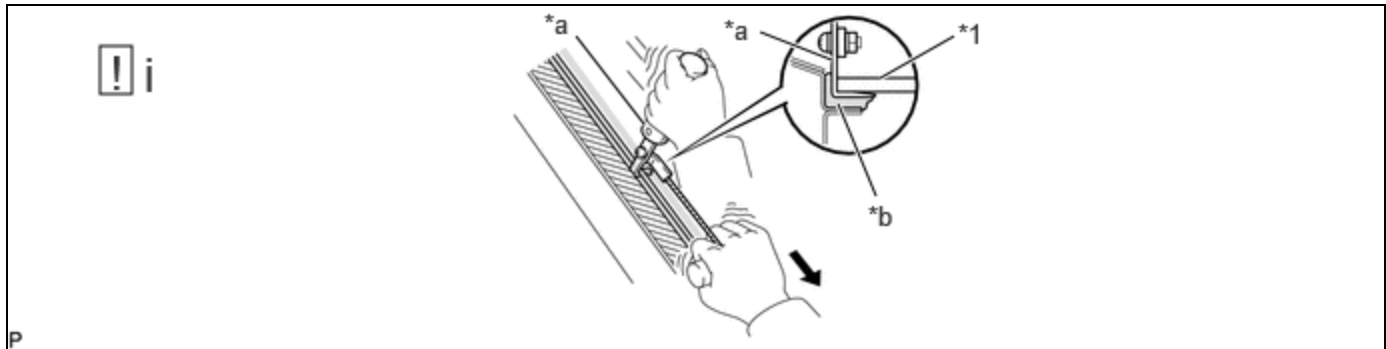
HINT:


- Use wide tape to ensure strong enough adhesion.
- Use non-residue tape.
- If necessary, clean the windshield outside moulding before securing it with tape.



*a	Suction Cup	-	-
----	-------------	---	---

(1) Install the 2 suction cups to the No. 1 roof window glass sub-assembly.



*1	No. 1 Roof Window Glass Sub-assembly	-	-
*a	Windshield Knife	*b	Adhesive
	Pull	-	-

(1) When using a windshield knife:

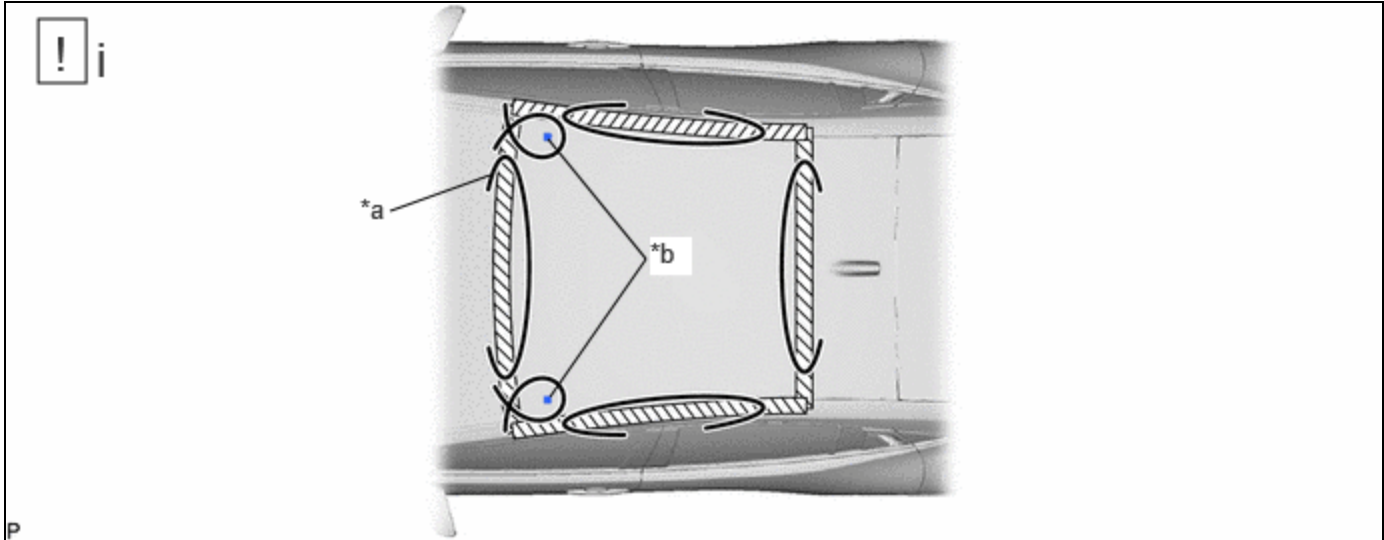
1. Apply soapy water to the area around the adhesive.
2. Insert a windshield knife into the adhesive between the No. 1 roof window glass sub-assembly and vehicle body.
3. While keeping the windshield knife perpendicular to the outer surface of the No. 1 roof window glass sub-assembly, cut the adhesive by pulling the windshield knife around the No. 1 roof window glass sub-assembly.

NOTICE:

- Do not pry the No. 1 roof window glass sub-assembly with the windshield knife.
- Do not use a windshield knife to cut the adhesive on the lower side of the No. 1 roof window glass sub-assembly.
- When separating the No. 1 roof window glass sub-assembly, be careful not to damage the paint or interior and exterior ornaments.

HINT:

Insert the windshield knife in an area where the gap between No. 1 roof window glass sub-assembly and vehicle body is large.

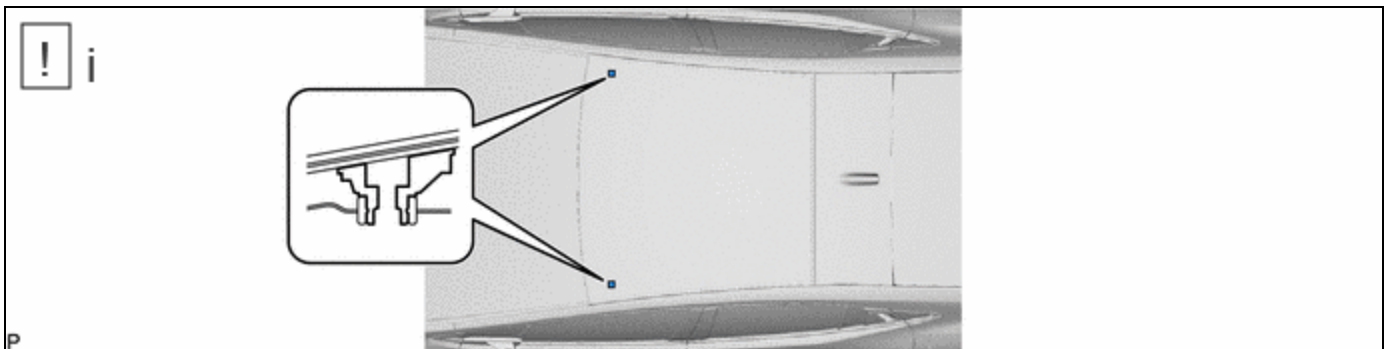


*a	Piano Wire	*b	Clip
----	------------	----	------

- (1) Using piano wire, pass a piano wire between the vehicle body and No. 1 roof window glass sub-assembly from the interior.
1. Tie both wire ends to wooden blocks or similar objects that can serve as handles.
 2. Cut off the adhesive by pulling the piano wire as shown in the illustration.

NOTICE:

- When separating the No. 1 roof window glass sub-assembly, be careful not to damage the paint or interior and exterior ornaments.
- When cutting the adhesive, take care not to damage the harness on the No. 1 roof window glass sub-assembly.



- (1) Using 2 suction cups, remove the No. 1 roof window glass sub-assembly.

NOTICE:

- Be careful not to drop the No. 1 roof window glass sub-assembly.
- Leave as much adhesive on the vehicle body as possible when removing the No. 1 roof window glass sub-assembly.

4. REMOVE ROOF WINDOW LOWER CLIP



Click here [INFO](#)

5. REMOVE ROOF WINDOW SIDE CLIP

HINT:

Use the same procedure as for the roof window lower clip.

