

Last Modified: 12-04-2024	6.11:8.1.0	Doc ID: RM100000002B7AV
Model Year Start: 2023	Model: Prius Prime	Prod Date Range: [03/2023 -]
Title: HYBRID / BATTERY CONTROL: CHARGE INLET (for PHEV Model): REMOVAL; 2023 - 2024 MY Prius Prime [03/2023 -]		

REMOVAL

CAUTION / NOTICE / HINT

The necessary procedures (adjustment, calibration, initialization or registration) that must be performed after parts are removed and installed, or replaced during inlet AC charger cable removal/installation are shown below.

CAUTION:

- Orange wire harnesses and connectors indicate high-voltage circuits. To prevent electric shock, always follow



the procedure described in the repair manual.

[Click here](#) 

- To prevent electric shock, wear insulated gloves when working on wire harnesses and components of the high



voltage system.

NOTICE:

After turning the ignition switch off, waiting time may be required before disconnecting the cable from the negative (-) auxiliary battery terminal.

Click here [INFO](#)

HINT:

When the cable is disconnected / reconnected to the auxiliary battery terminal, systems temporarily stop operating. However, each system has a function that completes learning the first time the system is used.

Items for which learning is completed by driving the vehicle

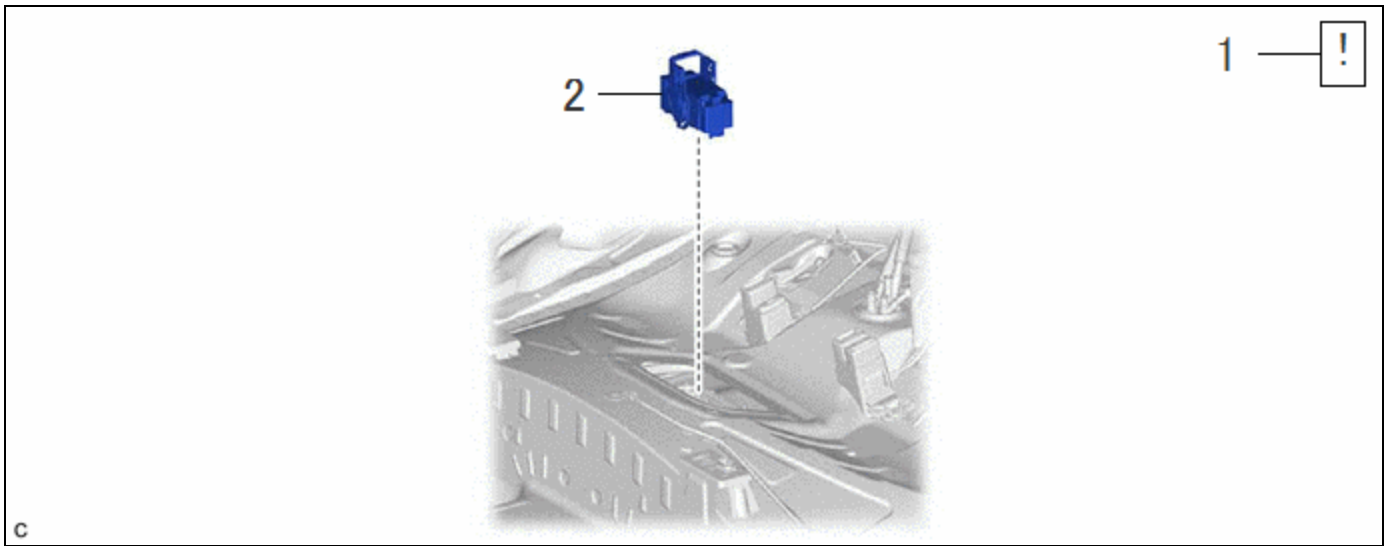
EFFECT/INOPERATIVE FUNCTION WHEN NECESSARY PROCEDURE NOT PERFORMED	NECESSARY PROCEDURE	LINK
Front Camera System	Drive the vehicle straight ahead at 35 km/h (22 mph) or more for 5 seconds or more.	INFO

Items for which learning is completed by operating the vehicle normally

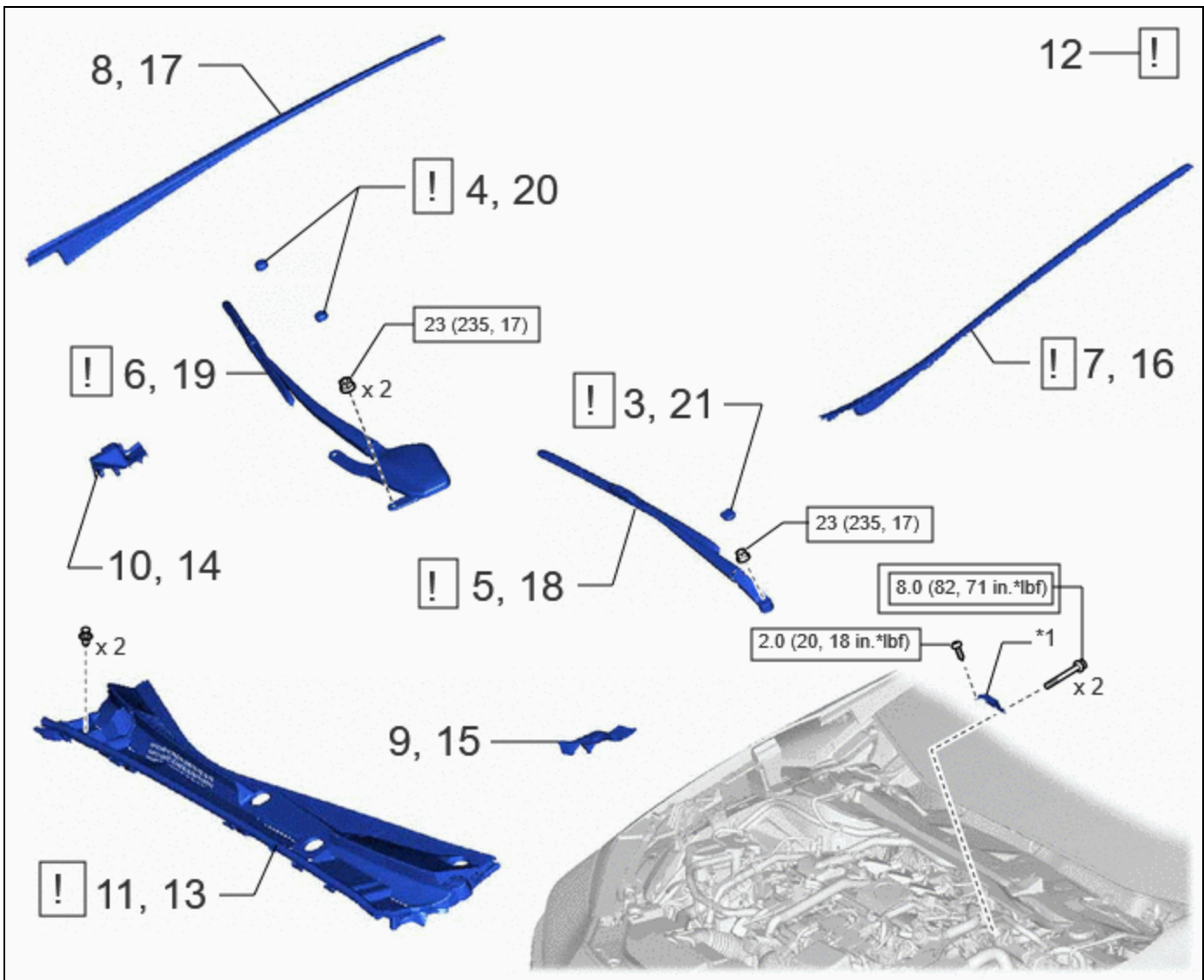
EFFECT/INOPERATIVE FUNCTION WHEN NECESSARY PROCEDURE NOT PERFORMED	NECESSARY PROCEDURE	LINK
Power Door Lock Control System*1 <ul style="list-style-type: none"> Back door opener 	Perform door unlock operation with door control switch or electrical key transmitter sub-assembly switch.	INFO
Power Back Door System*2	Reset back door close position	INFO
Air Conditioning System	After the ignition switch is turned to ON, the servo motor and expansion valve standard position is recognized.	-
*1: w/o Power Back Door System		
*2: w/ Power Back Door System		

CAUTION / NOTICE / HINT






COMPONENTS (REMOVAL)





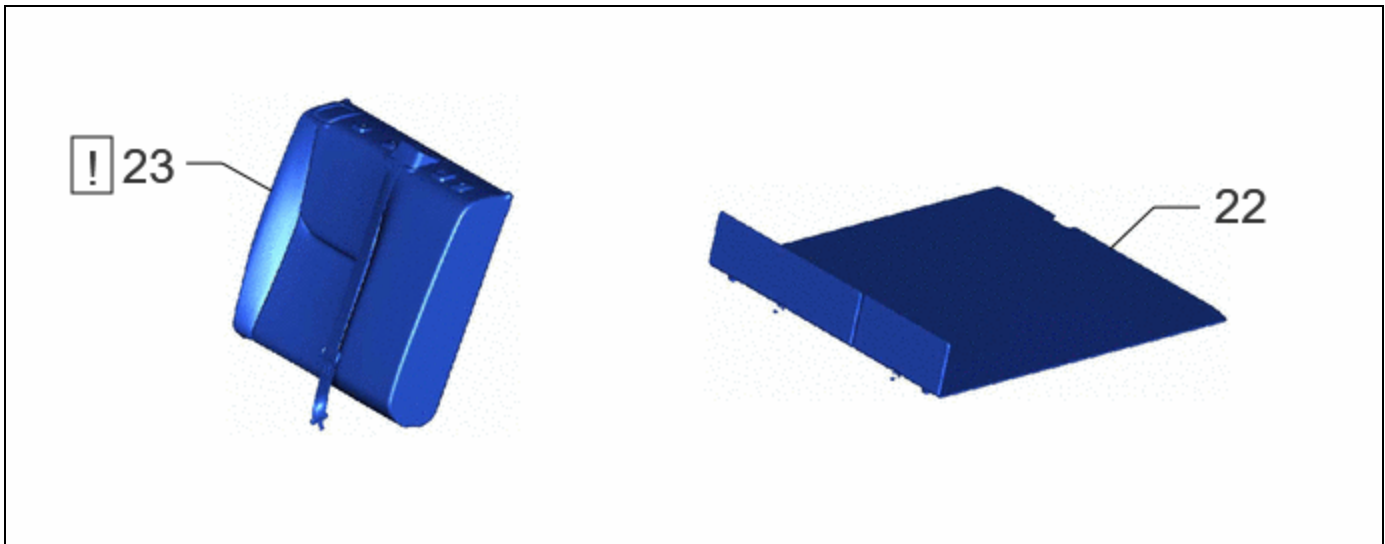
PROCEDURE		PART NAME CODE			
1	PRECAUTION	-	INFO	-	-
2	SERVICE PLUG GRIP	G3834	-	-	-







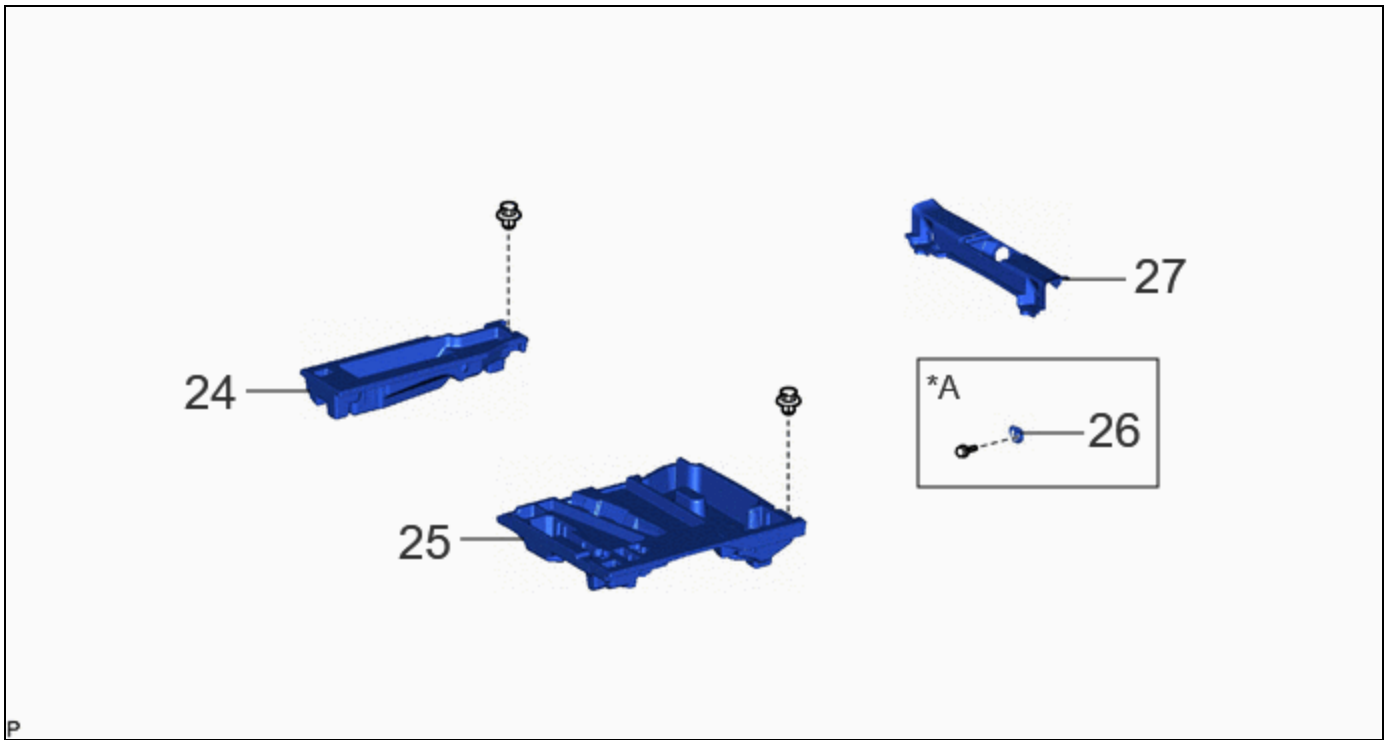
PROCEDURE		PART NAME CODE	!		
3	FRONT WIPER ARM HEAD CAP	85292B	INFO	-	-
4	SHIELD CAP	85247	INFO	-	-
5	FRONT WIPER ARM AND BLADE ASSEMBLY LH	-	-	-	-
6	FRONT WIPER ARM AND BLADE ASSEMBLY RH	-	-	-	-
7	WINDSHIELD LOWER OUTSIDE MOULDING LH	75536D	INFO	-	-
8	WINDSHIELD LOWER OUTSIDE MOULDING RH	75535F	-	-	-
9	COWL WATER EXTRACT SHIELD LH	55754F	-	-	-
10	COWL WATER EXTRACT SHIELD RH	55753D	-	-	-
11	COWL TOP VENTILATOR LOUVER SUB-ASSEMBLY	55708	-	-	-
12	CHECK TERMINAL VOLTAGE	-	INFO	-	-
13	COWL TOP VENTILATOR LOUVER SUB-ASSEMBLY	55708	INFO	-	-




	PROCEDURE	PART NAME CODE			
14	COWL WATER EXTRACT SHIELD RH	55753D	-	-	-
15	COWL WATER EXTRACT SHIELD LH	55754F	-	-	-
16	WINDSHIELD LOWER OUTSIDE MOULDING LH	75536D	-	-	-
17	WINDSHIELD LOWER OUTSIDE MOULDING RH	77535F	-	-	-
18	FRONT WIPER ARM AND BLADE ASSEMBLY LH	-		-	-
19	FRONT WIPER ARM AND BLADE ASSEMBLY RH	-		-	-
20	SHIELD CAP	85247	-	-	-
21	FRONT WIPER ARM HEAD CAP	85292B	-	-	-

*1	Connector Cover Assembly	-	-
	Tightening torque for "Major areas involving basic vehicle performance such as moving/turning/stopping": N*m (kgf*cm, ft.*lbf)		N*m (kgf*cm, ft.*lbf): Specified torque

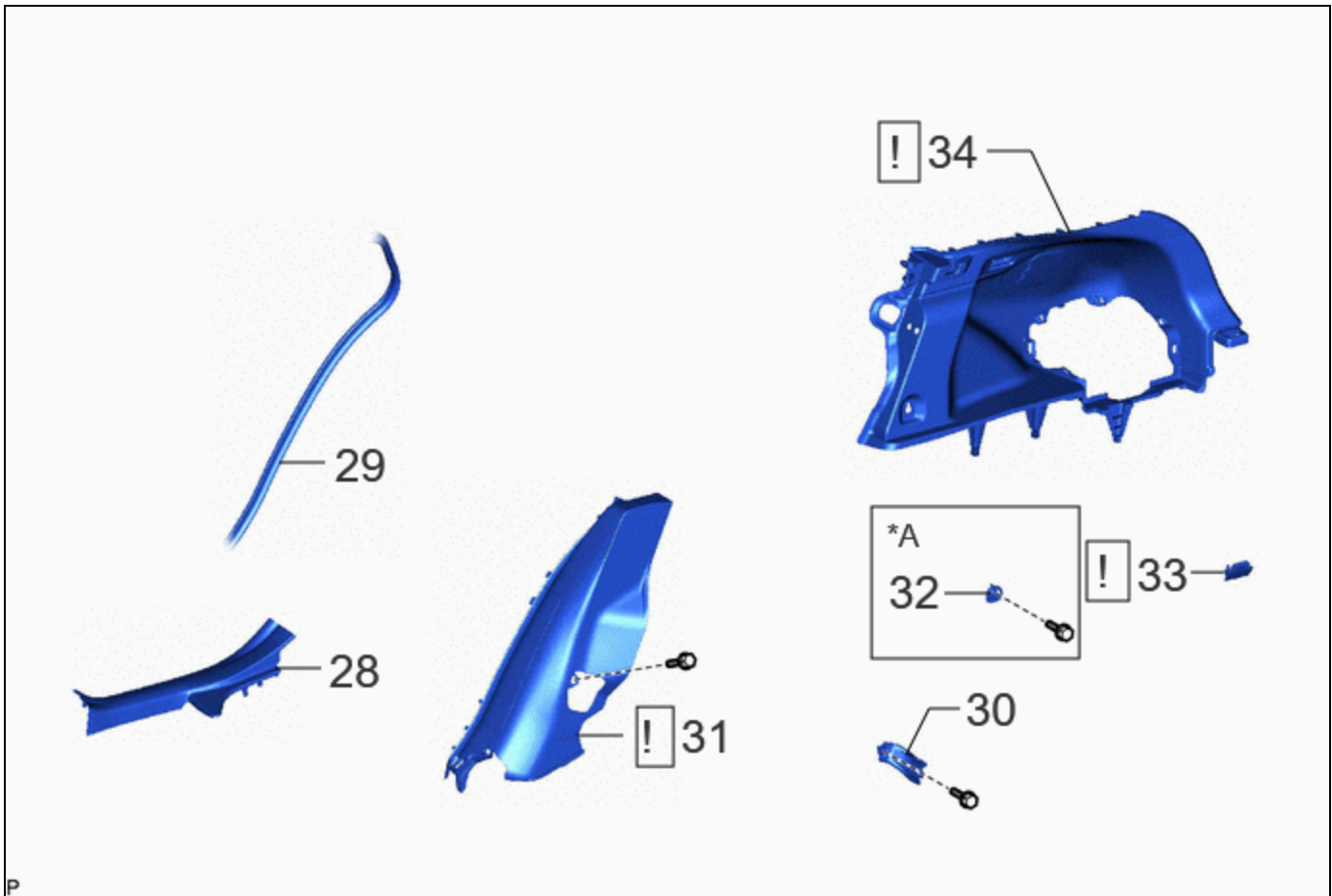


	PROCEDURE	PART NAME CODE			
22	DECK BOARD ASSEMBLY	58410B	-	-	-
23	REAR SEATBACK ASSEMBLY RH	-		-	-



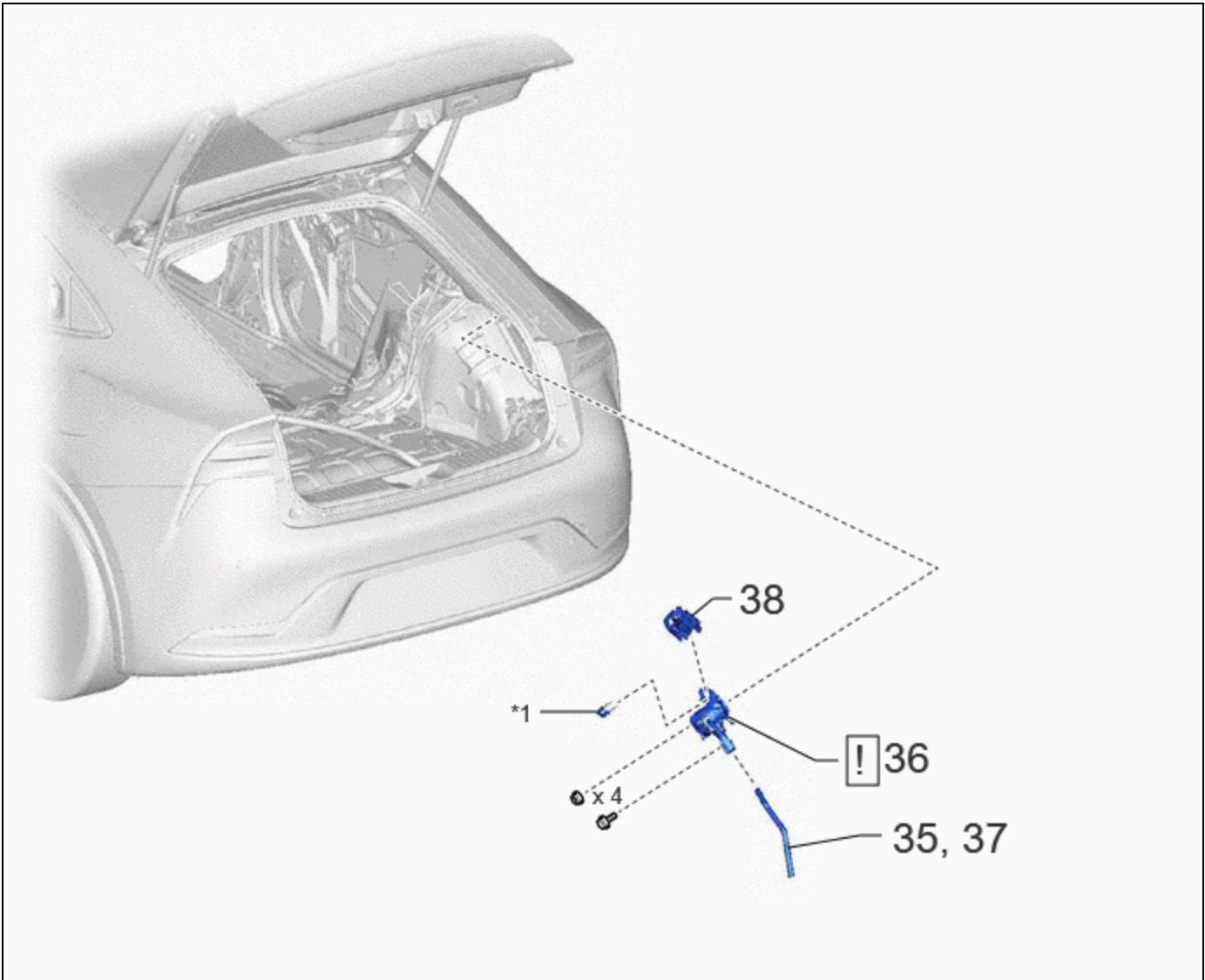
PROCEDURE		PART NAME CODE			
24	DECK FLOOR BOX RH	64995	-	-	-
25	DECK FLOOR BOX LH	64997	-	-	-
26	LUGGAGE HOLD BELT STRIKER ASSEMBLY	58460D	-	-	-
27	REAR DECK TRIM COVER	64716D	-	-	-

*A	for Rear Side	-	-
----	---------------	---	---



PROCEDURE		PART NAME CODE			
28	REAR DOOR SCUFF PLATE INSIDE RH	67917F	-	-	-
29	REAR DOOR OPENING TRIM WEATHERSTRIP RH	62331A	-	-	-
30	REAR SEAT BACK HINGE SUB-ASSEMBLY RH	71303C	-	-	-
31	REAR SEAT SIDE GARNISH RH	62551F	INFO	-	-
32	LUGGAGE HOLD BELT STRIKER ASSEMBLY	58460D	-	-	-
33	NO. 1 LUGGAGE COMPARTMENT LIGHT ASSEMBLY	81330	INFO	-	-
34	DECK TRIM SIDE PANEL ASSEMBLY RH	64730B	INFO	-	-

*A	for RH Side	-	-
----	-------------	---	---



PROCEDURE		PART NAME CODE			
35	DISCONNECT NO. 1 EV CHARGE CONNECTOR DRAIN HOSE	G93B1	-	-	-
36	INLET AC CHARGER CABLE	G9081C	INFO	-	-
37	REMOVE NO. 1 EV CHARGE CONNECTOR DRAIN HOSE	G93B1	-	-	-
38	CABLE EV CHARGER LOCK ASSEMBLY	G90F0A	-	-	-

*1	CONNECTOR PIN	-	-
----	---------------	---	---

PROCEDURE

1. PRECAUTION



Click here [INFO](#)

2. REMOVE SERVICE PLUG GRIP

Click here [INFO](#)

3. REMOVE FRONT WIPER ARM HEAD CAP



Click here [INFO](#)

4. REMOVE SHIELD CAP



Click here [INFO](#)

5. REMOVE FRONT WIPER ARM AND BLADE ASSEMBLY LH

Click here [INFO](#)

6. REMOVE FRONT WIPER ARM AND BLADE ASSEMBLY RH

Click here [INFO](#)

7. REMOVE WINDSHIELD LOWER OUTSIDE MOULDING LH



Click here [INFO](#)

8. REMOVE WINDSHIELD LOWER OUTSIDE MOULDING RH

(a) Use the same procedure as for the LH side.

9. REMOVE COWL WATER EXTRACT SHIELD LH

Click here [INFO](#)

10. REMOVE COWL WATER EXTRACT SHIELD RH

(a) Use the same procedure as for the LH side.

11. REMOVE COWL TOP VENTILATOR LOUVER SUB-ASSEMBLY

Click here [INFO](#)

12. CHECK TERMINAL VOLTAGE



Click here [INFO](#)

13. INSTALL COWL TOP VENTILATOR LOUVER SUB-ASSEMBLY



Click here [INFO](#)

14. INSTALL COWL WATER EXTRACT SHIELD RH

15. INSTALL COWL WATER EXTRACT SHIELD LH

16. INSTALL WINDSHIELD LOWER OUTSIDE MOULDING LH

Click here [INFO](#)

17. INSTALL WINDSHIELD LOWER OUTSIDE MOULDING RH

(a) Use the same procedure as for the LH side.

18. INSTALL FRONT WIPER ARM AND BLADE ASSEMBLY LH



Click here [INFO](#)

19. INSTALL FRONT WIPER ARM AND BLADE ASSEMBLY RH



Click here [INFO](#)

20. INSTALL SHIELD CAP

21. INSTALL FRONT WIPER ARM HEAD CAP

22. REMOVE DECK BOARD ASSEMBLY

Click here [INFO](#)

23. REMOVE REAR SEATBACK ASSEMBLY RH



Click here [INFO](#)

24. REMOVE DECK FLOOR BOX RH

Click here [INFO](#)

25. REMOVE DECK FLOOR BOX LH

Click here [INFO](#)

26. REMOVE LUGGAGE HOLD BELT STRIKER ASSEMBLY (for Rear Side)

Click here [INFO](#)

27. REMOVE REAR DECK TRIM COVER

Click here [INFO](#)

28. REMOVE REAR DOOR SCUFF PLATE INSIDE RH

(a) Use the same procedure as for the LH side.

Click here [INFO](#)

29. DISCONNECT REAR DOOR OPENING TRIM WEATHERSTRIP RH

Click here [INFO](#)

30. REMOVE REAR SEAT BACK HINGE SUB-ASSEMBLY RH

(a) Use the same procedure as for the LH side.

Click here [INFO](#)

31. REMOVE REAR SEAT SIDE GARNISH RH

Use the same procedure as for the LH side.

Click here [INFO](#)

32. REMOVE LUGGAGE HOLD BELT STRIKER ASSEMBLY (for RH Side)

(a) Use the same procedure as for the LH side.

Click here [INFO](#)

33. REMOVE NO. 1 LUGGAGE COMPARTMENT LIGHT ASSEMBLY

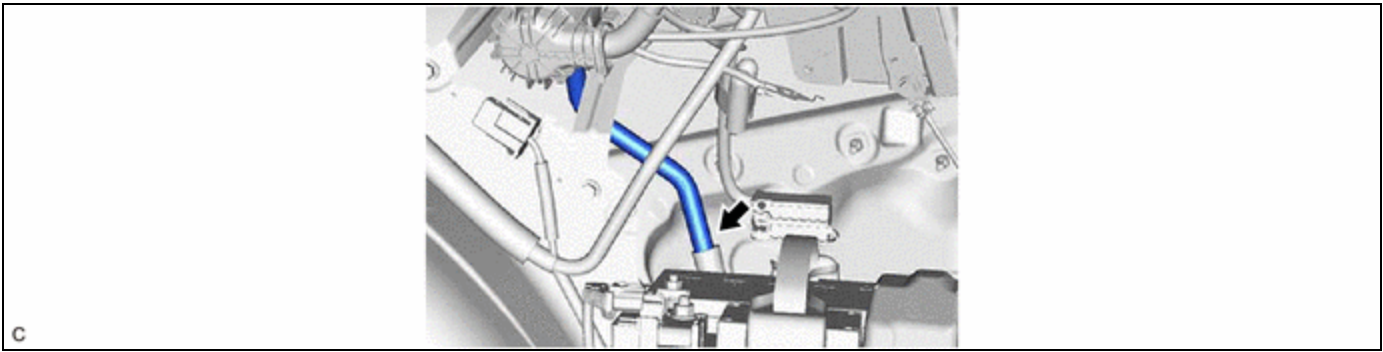
Click here [INFO](#)

34. REMOVE DECK TRIM SIDE PANEL ASSEMBLY RH

Use the same procedure as for the LH side.

Click here [INFO](#)

35. DISCONNECT NO. 1 EV CHARGE CONNECTOR DRAIN HOSE

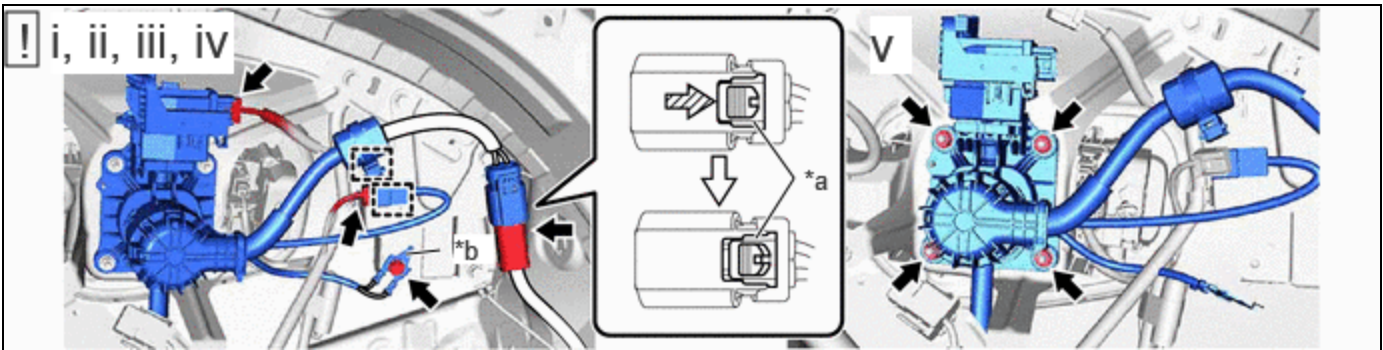


c

36. REMOVE INLET AC CHARGER CABLE



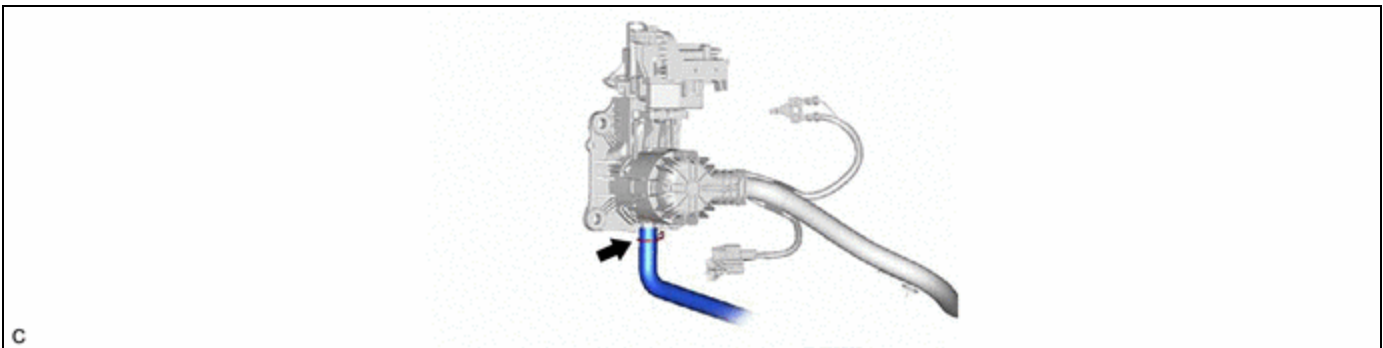
CAUTION:
Be sure to wear insulated gloves.



*a	Green-colored Lock	*b	Earth Terminal
	Slide	-	-

- (1) Using a screwdriver, slide the green-colored lock of the connector as shown in the illustration to release it and disconnect the inlet AC charger cable connector.
- (2) Disengage the 2 clamps.
- (3) Disconnect the 2 inlet AC charger cable connectors.
- (4) Remove the bolt and disconnect the earth terminal.
- (5) Remove the 4 nuts and inlet AC charger cable.

37. REMOVE NO. 1 EV CHARGE CONNECTOR DRAIN HOSE



c

38. REMOVE CABLE EV CHARGER LOCK ASSEMBLY

