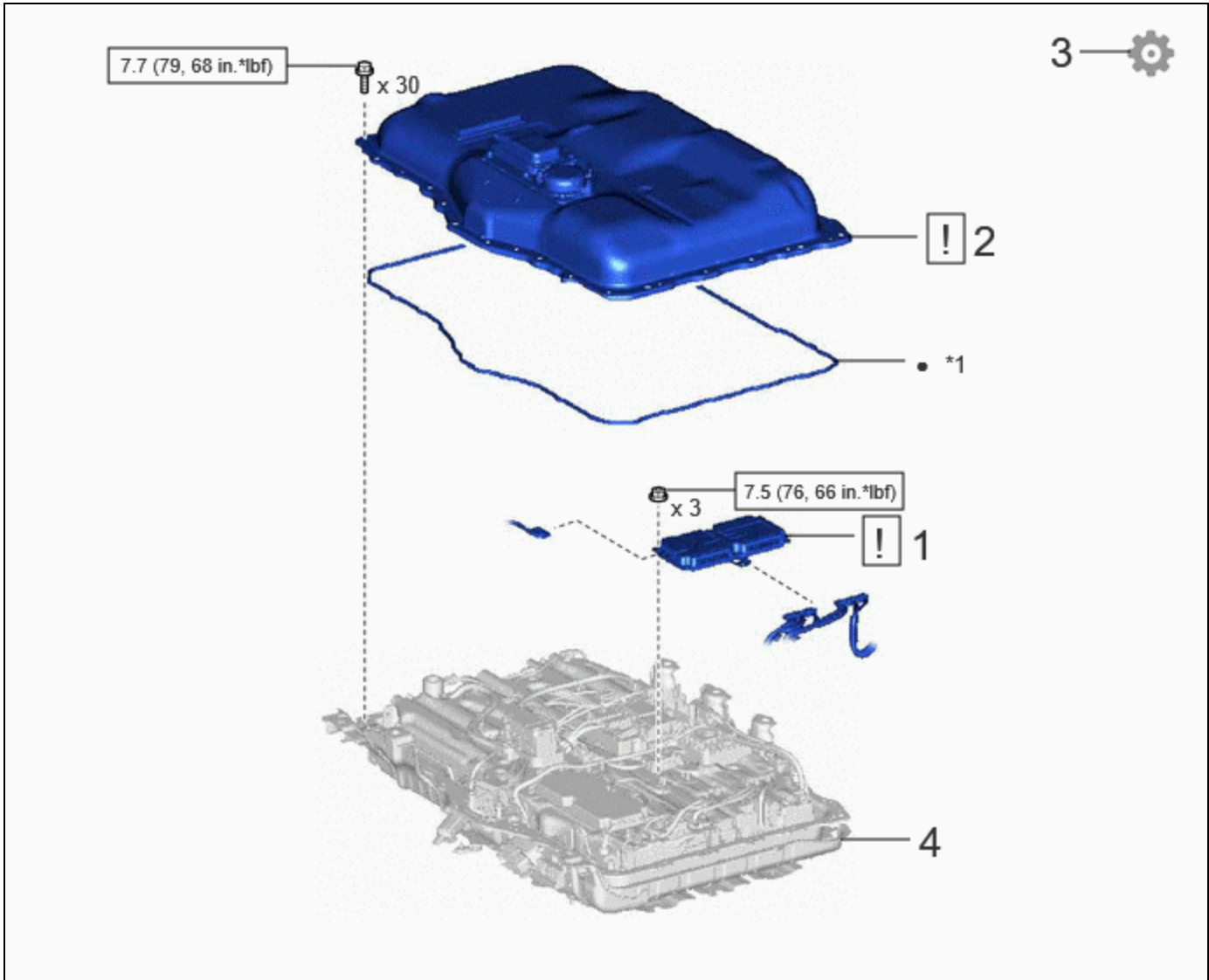


Last Modified: 12-04-2024	6.11:8.1.0	Doc ID: RM100000002B7B3
Model Year Start: 2023	Model: Prius Prime	Prod Date Range: [03/2023 -]
Title: HYBRID / BATTERY CONTROL: BATTERY VOLTAGE SENSOR (for PHEV Model): INSTALLATION; 2023 - 2024 MY Prius Prime [03/2023 -]		

INSTALLATION

CAUTION / NOTICE / HINT

COMPONENTS INSTALLATION)



	PROCEDURE	PART NAME CODE			
1	BATTERY VOLTAGE SENSOR	89892A	INFO	-	-
2	NO. 1 TRACTION BATTERY COVER	-	INFO	-	-

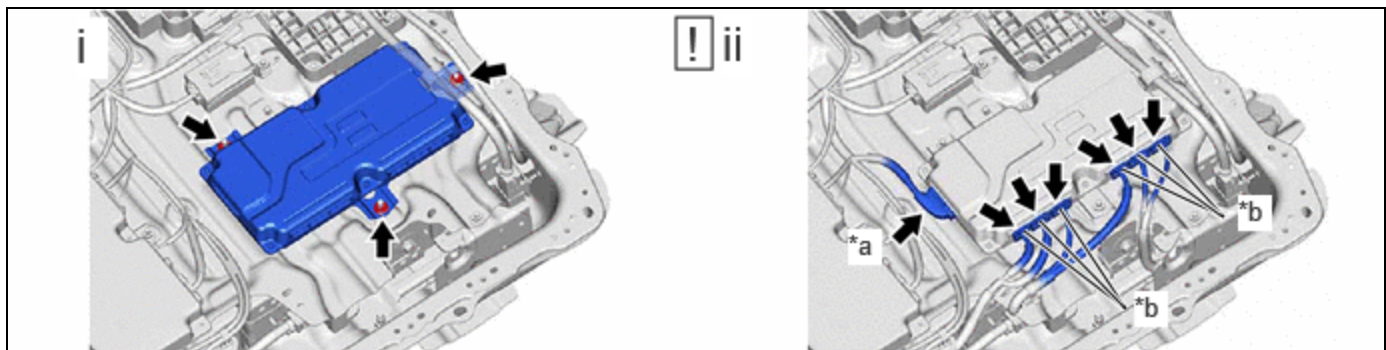
	PROCEDURE	PART NAME CODE			
3	CHECK FOR AIRTIGHTNESS	-	-	-	INFO
4	HV SUPPLY BATTERY ASSEMBLY	G9510	-	-	-

*1	NO. 1 HV BATTERY SEAL	-	-
	N*m (kgf*cm, ft.*lbf): Specified torque		<ul style="list-style-type: none"> Non-reusable part

PROCEDURE

1. INSTALL BATTERY VOLTAGE SENSOR

	<p>CAUTION:</p> <p>Be sure to wear insulated gloves and protective goggles.</p>
--	--



*a	Low-voltage connector	*b	High-voltage connector
----	-----------------------	----	------------------------

(1) Install the battery voltage sensor to the HV supply battery assembly with the 3 nuts.

Torque:

7.5 N·m {76 kgf·cm, 66 in·lbf}

NOTICE:

If the battery voltage sensor has been struck or dropped, replace it.

(2) Make sure to confirm that the high-voltage connector is not connected, and then connect the low-voltage connector.

NOTICE:

Make sure that the connectors are connected securely.

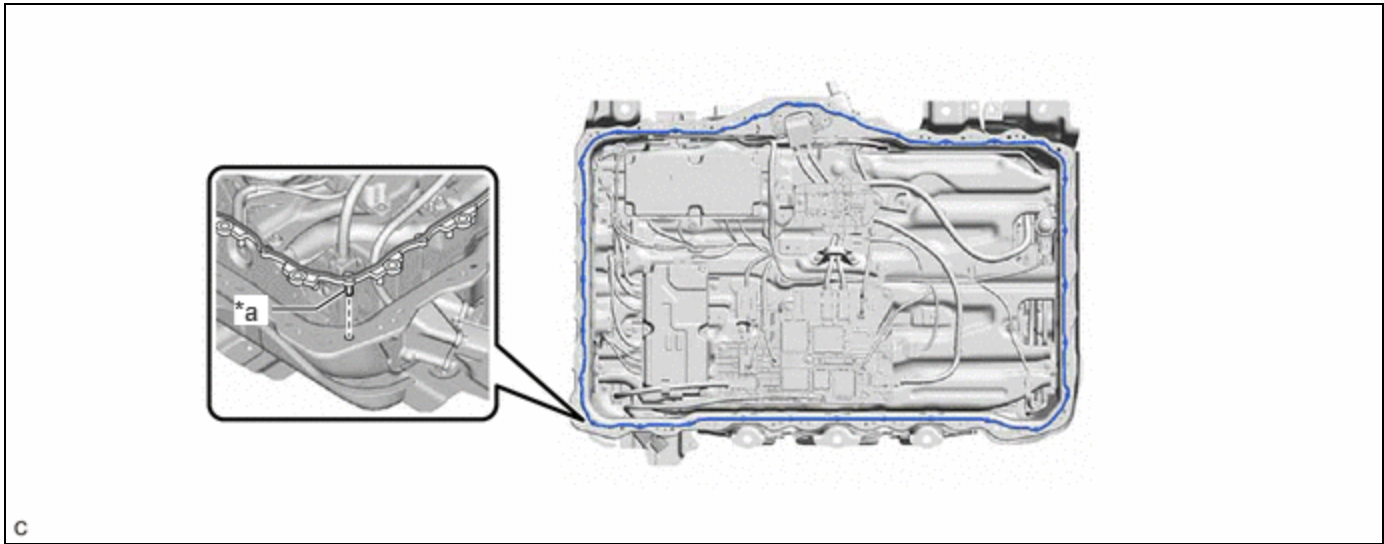
(3) Connect the 6 high-voltage connectors.

NOTICE:

Make sure that the connectors are connected securely.

2. INSTALL NO. 1 TRACTION BATTERY COVER

	<p>CAUTION: Be sure to wear insulated gloves.</p>
---	--

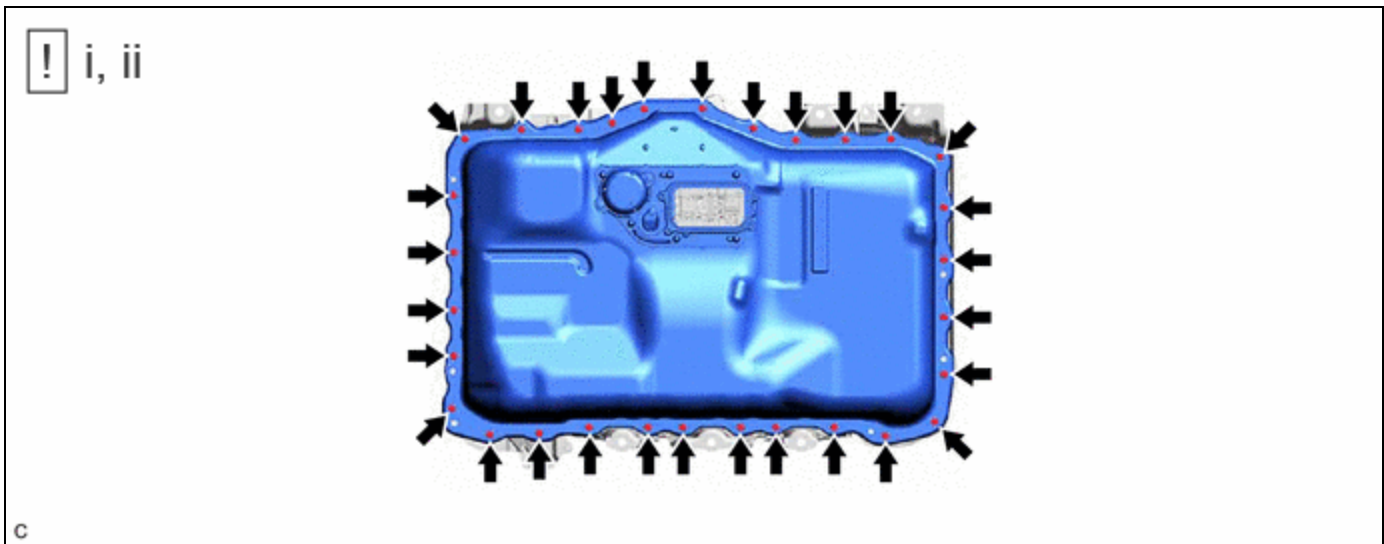


*a	Pin	-	-
----	-----	---	---

(1) Install a new No. 1 HV battery seal to the HV supply battery assembly.

NOTICE:

- Make sure that the No. 1 HV battery seal is not twisted.
- Check and clean the No. 1 HV battery seal installation surface.
- Make sure to align the pin of the No. 1 HV battery seal with the hole.



(1) Temporarily install the No. 1 traction battery cover the HV supply battery assembly with the 30 bolts.

NOTICE:


Check and clean the No. 1 traction battery cover installation surface.

(2) Fully tighten the 30 bolts.

Torque:

7.7 N·m {79 kgf·cm, 68 in·lbf}

3. CHECK FOR AIRTIGHTNESS (COMPONENT)

Click here 

4. INSTALL HV SUPPLY BATTERY ASSEMBLY

Click here 