

Last Modified: 12-04-2024	6.11:8.1.0	Doc ID: RM100000002B7B5
Model Year Start: 2023	Model: Prius Prime	Prod Date Range: [03/2023 -]
Title: HYBRID / BATTERY CONTROL: BATTERY ECU (for PHEV Model): REMOVAL; 2023 - 2024 MY Prius Prime [03/2023 -]		

REMOVAL

CAUTION / NOTICE / HINT

The necessary procedures (adjustment, calibration, initialization or registration) that must be performed after parts are removed and installed, or replaced during battery ECU assembly removal/installation are shown below.

Necessary Procedures After Parts Removed/Installed/Replaced

REPLACED PART OR PERFORMED PROCEDURE	NECESSARY PROCEDURE	EFFECT/INOPERATIVE FUNCTION WHEN NECESSARY PROCEDURE NOT PERFORMED	LINK
Replacement of battery ECU assembly	Current sensor offset learning	HV battery status information cannot be updated	INFO

CAUTION:

- Orange wire harnesses and connectors indicate high-voltage circuits. To prevent electric shock, always follow



the procedure described in the repair manual.

Click here [INFO](#)

- To prevent electric shock, wear insulated gloves when working on wire harnesses and components of the high



voltage system.

NOTICE:

- If the wrong type of battery ECU assembly is installed, the ignition switch cannot be turned on (READY).
- After installing the battery ECU assembly, perform the following to check that the ignition switch can be turned on (READY).
 - Turn the ignition switch to ON (READY).
 - Turn the ignition switch off and wait for 30 seconds or more.
 - Turn the ignition switch to ON (READY) again.
- After turning the ignition switch off, waiting time may be required before disconnecting the cable from the negative (-) auxiliary battery terminal.

Click here [INFO](#)

HINT:

When the cable is disconnected / reconnected to the auxiliary battery terminal, systems temporarily stop operating. However, each system has a function that completes learning the first time the system is used.

Items for which learning is completed by driving the vehicle

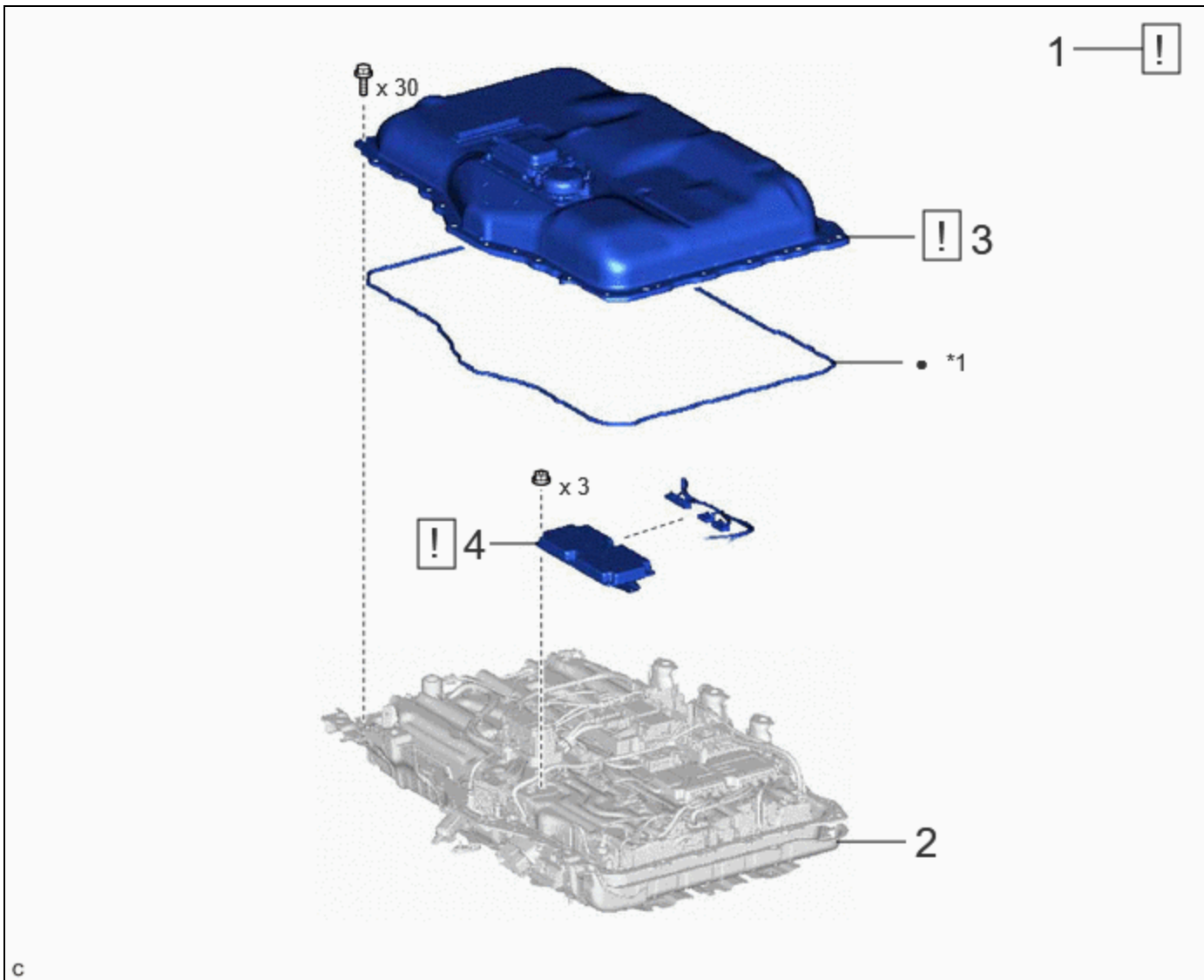
EFFECT/INOPERATIVE FUNCTION WHEN NECESSARY PROCEDURE NOT PERFORMED	NECESSARY PROCEDURE	LINK
Front Camera System	Drive the vehicle straight ahead at 35 km/h (22 mph) or more for 5 seconds or more.	INFO

Items for which learning is completed by operating the vehicle normally

EFFECT/INOPERATIVE FUNCTION WHEN NECESSARY PROCEDURE NOT PERFORMED	NECESSARY PROCEDURE	LINK
Power Door Lock Control System*1 <ul style="list-style-type: none"> Back door opener 	Perform door unlock operation with door control switch or electrical key transmitter sub-assembly switch.	INFO
Power Back Door System*2	Reset back door close position	INFO
Air Conditioning System	After the ignition switch is turned to ON, the servo motor and expansion valve standard position is recognized.	-
*1: w/o Power Back Door System *2: w/ Power Back Door System		

CAUTION / NOTICE / HINT

COMPONENTS (REMOVAL)



	PROCEDURE	PART NAME CODE			
1	WHEN REPLACING BATTERY ECU ASSEMBLY	-	INFO	-	-
2	HV SUPPLY BATTERY ASSEMBLY	G9510	-	-	-
3	NO. 1 TRACTION BATTERY COVER	-	INFO	-	-
6	BATTERY ECU ASSEMBLY	89890A	INFO	-	-

*1	NO. 1 HV BATTERY SEAL	-	-
•	Non-reusable part	-	-

PROCEDURE

1. WHEN REPLACING BATTERY ECU ASSEMBLY



NOTICE:

- Do not replace the battery ECU assembly and ECM at the same time as the HV battery learning values will be lost. However, if it is necessary to replace both ECUs at the same time, replace them by following the procedure below.
- Do not replace the battery ECU assembly or ECM with a used one from another vehicle.

HV battery learning values are stored in the battery ECU assembly and ECM and are used to detect malfunctions and illuminate the hybrid battery indicator light in the combination meter assembly. When either of these ECUs is replaced, the new ECU receives the HV battery learning values from the other ECU and stores them.

(a) Procedure when replacing both battery ECU assembly and ECM:

- (1) Disconnect the cable from the negative (-) auxiliary battery terminal.
- (2) Replace either ECU.
- (3) Connect the cable to the negative (-) auxiliary battery terminal.
- (4) Turn the ignition switch to ON (READY) and wait for 5 minutes or more.
- (5) Turn the ignition switch off and wait for 1 minute or more.
- (6) Disconnect the cable from the negative (-) auxiliary battery terminal.
- (7) Replace the other ECU.
- (8) Connect the cable to the negative (-) auxiliary battery terminal.
- (9) Check that the ignition switch can be turned on (READY).

HINT:

If the battery ECU assembly and ECM are replaced at the same time without following the above procedure, replace either of the ECUs with its original one and then replace it again by following the above procedure. If the correct procedure is not followed, perform the procedure again from the beginning.

2. REMOVE HV SUPPLY BATTERY ASSEMBLY

Click here [INFO](#)

3. REMOVE NO. 1 TRACTION BATTERY COVER



Click here [INFO](#)

4. REMOVE BATTERY ECU ASSEMBLY



CAUTION:

Be sure to wear insulated gloves and protective goggles.

NOTICE:

If the battery ECU assembly has been struck or dropped, replace it.

