

Last Modified: 12-04-2024	6.11:8.1.0	Doc ID: RM100000002BNRW
Model Year Start: 2023	Model: Prius Prime	Prod Date Range: [03/2023 -]
Title: BRAKE (FRONT): FRONT BRAKE: REMOVAL; 2023 - 2024 MY Prius Prius Prime [03/2023 -]		

REMOVAL

CAUTION / NOTICE / HINT

The necessary procedures (adjustment, calibration, initialization, or registration) that must be performed after parts are removed and installed, or replaced during front disc brake removal/installation are shown below.

Necessary Procedures After Parts Removed/Installed/Replaced

REPLACED PART OR PERFORMED PROCEDURE	NECESSARY PROCEDURE	EFFECT/INOPERATIVE FUNCTION WHEN NECESSARY PROCEDURE NOT PERFORMED	LINK
Tires	<ul style="list-style-type: none"> Initialization*1*2 Tire Position Identification*1*2 	Tire Pressure Warning System	Refer to Procedures Necessary When Replacing Parts (for Tire Pressure Warning System) INFO
	Rear television camera assembly optical axis (Back camera position setting)*3	Parking Assist Monitor System	INFO
	Parking assist ECU initialization*3	Panoramic View Monitor System	INFO
		Advanced Park	INFO
<p>*1: Also necessary after performing a tire rotation.</p> <p>*2: It is not necessary to perform this procedure if the tire pressure warning valve and transmitters are installed to the same location.</p> <p>*3: The vehicle height changes because of tire replacement.</p>			

HINT:

When the cable is disconnected / reconnected to the auxiliary battery terminal, systems temporarily stop operating. However, each system has a function that completes learning the first time the system is used.

Items for which learning is completed by driving the vehicle

EFFECT/INOPERATIVE FUNCTION WHEN NECESSARY PROCEDURE NOT PERFORMED	NECESSARY PROCEDURE	LINK
Front Camera System	Drive the vehicle straight ahead at 35 km/h (22 mph) or more for 5 seconds or more.	INFO

Items for which learning is completed by operating the vehicle normally

EFFECT/INOPERATIVE FUNCTION WHEN NECESSARY PROCEDURE NOT PERFORMED	NECESSARY PROCEDURE	LINK
Power Door Lock Control System*1 <ul style="list-style-type: none"> Back door opener 	Perform door unlock operation with door control switch or electrical key transmitter sub-assembly switch.	INFO
Power Back Door System*2	Reset back door close position	INFO
Air Conditioning System	for HEV Model: After the ignition switch is turned to ON, the servo motor standard position is recognized. for PHEV Model: After the ignition switch is turned to ON, the servo motor and expansion valve standard position is recognized.	-
*1: w/o Power Back Door System *2: w/ Power Back Door System		

CAUTION / NOTICE / HINT

NOTICE:

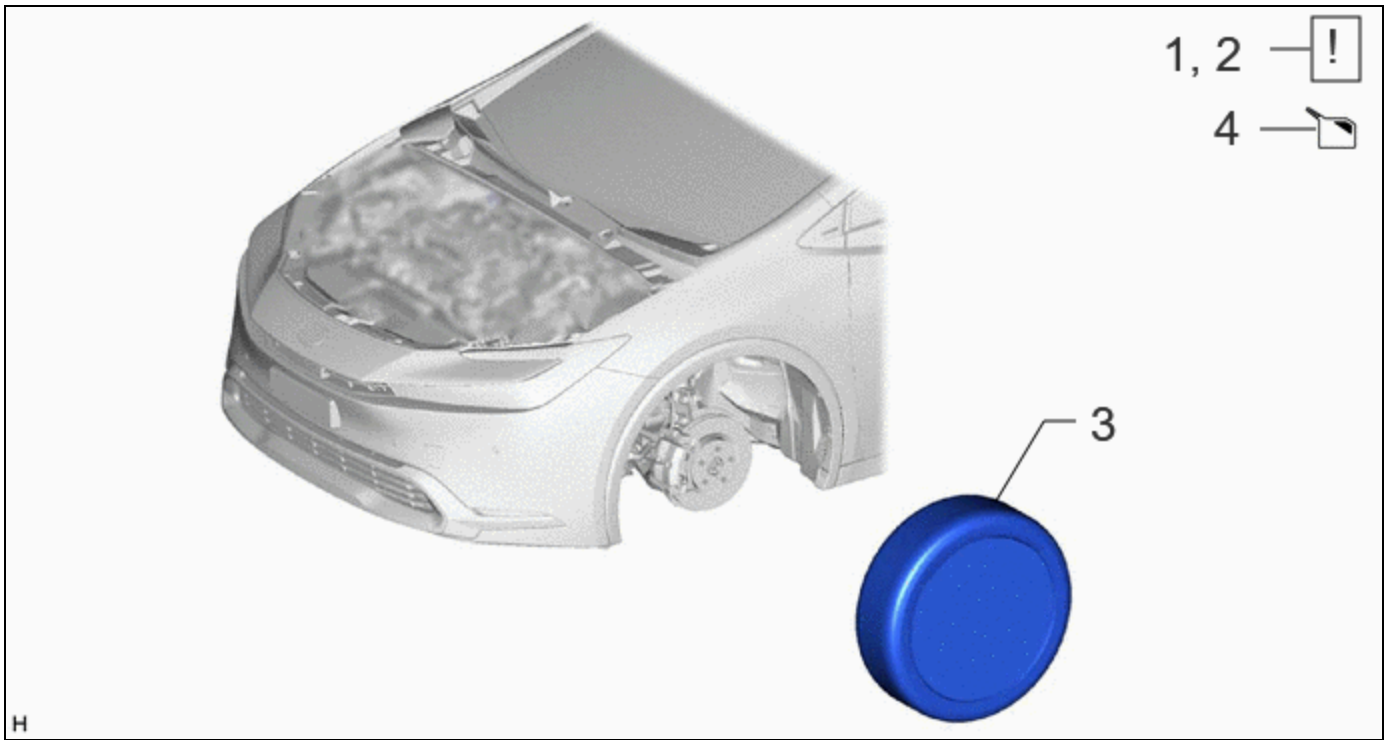
- Immediately after installing the brake pads, the braking performance may be reduced. Always perform a road test in a safe place while paying attention to the surroundings.
- After replacing the front disc brake pads, the brake pedal may feel soft due to clearance between the front disc brake pads and front disc. Depress the brake pedal several times until the brake pedal feels firm.
- After replacing the front disc brake pads, always perform a road test to check the braking performance and check for vibrations.
- While the auxiliary battery is connected, even if the ignition switch is off, the brake control system activates when the brake pedal is depressed or any door courtesy switch turns on. Therefore, when servicing the brake system components, do not operate the brake pedal or open/close the doors while the auxiliary battery is connected.
- When the brake pedal is first depressed after replacing the brake pads or pushing back the disc brake piston, DTCs may be stored. As there is no malfunction, clear the DTC.

HINT:




- Use the same procedure for the RH side and LH side.
- The following procedure is for the LH side.

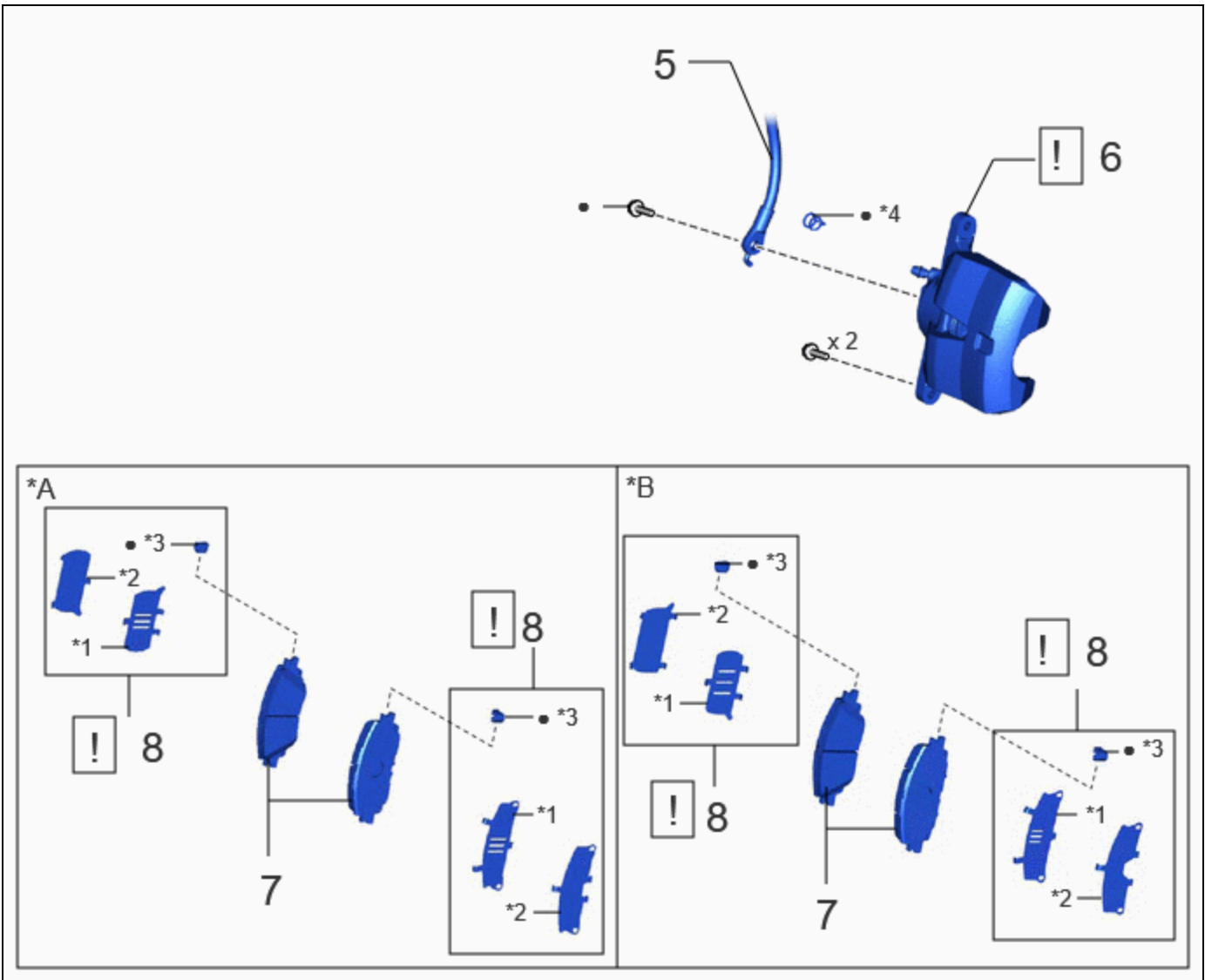
CAUTION / NOTICE / HINT

COMPONENTS (REMOVAL)



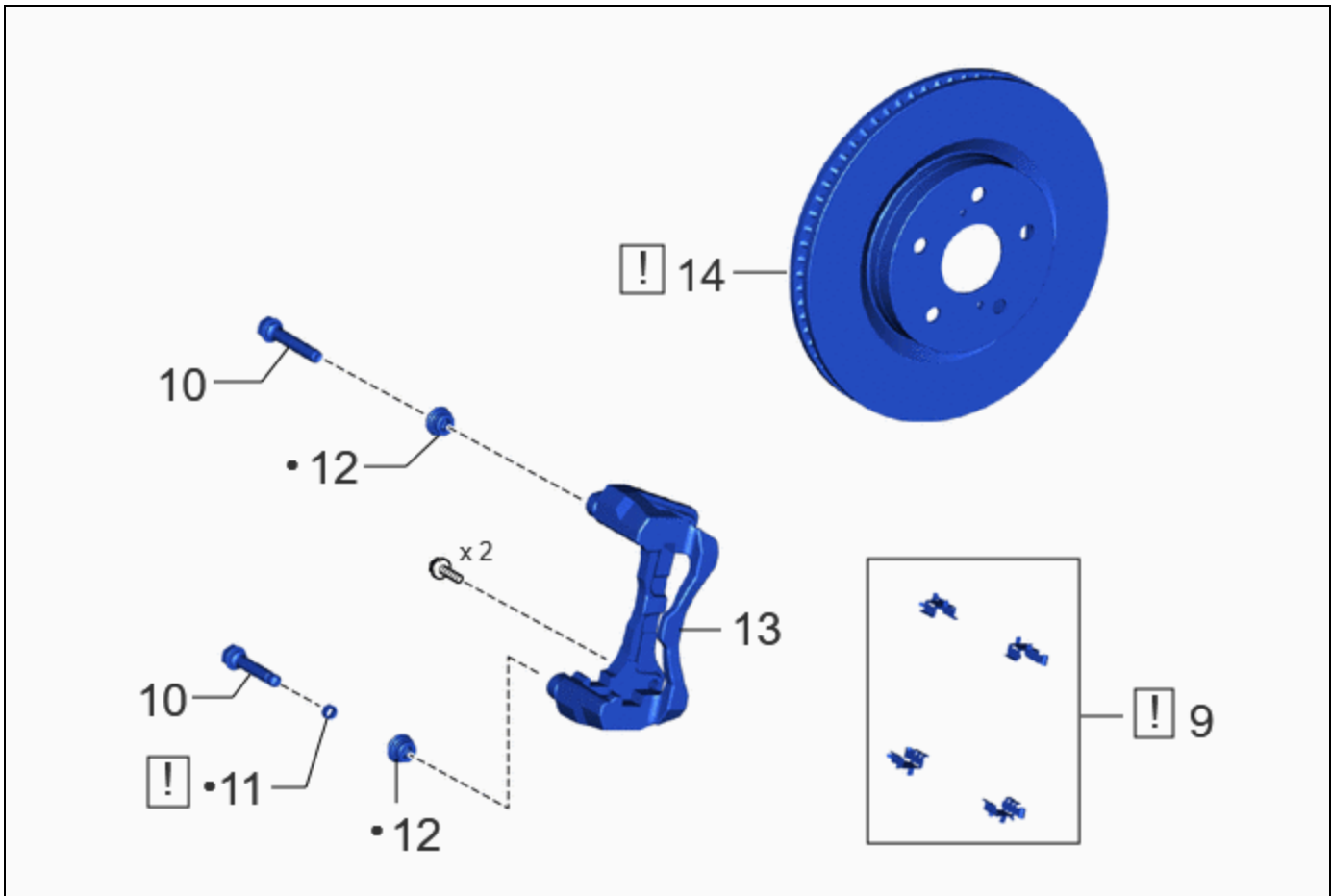
H

	PROCEDURE	PART NAME CODE			
1	PRECAUTION	-	INFO	-	-
2	DISABLE BRAKE CONTROL	-	INFO	-	-
3	FRONT WHEEL	-	-	-	-
4	DRAIN BRAKE FLUID	-	-	INFO	-



PROCEDURE		PART NAME CODE			
5	FRONT FLEXIBLE HOSE	47313J	-	-	-
6	DISC BRAKE CYLINDER ASSEMBLY	47750	INFO	-	-
7	FRONT DISC BRAKE PAD	-	-	-	-
8	FRONT DISC BRAKE ANTI-SQUEAL SHIM KIT	04945	INFO	-	-

*A	for HEV Model AWD, PHEV Model	*B	for HEV Model 2WD
*1	FRONT NO. 1 DISC BRAKE ANTI-SQUEAL SHIM	*2	FRONT NO. 2 DISC BRAKE ANTI-SQUEAL SHIM
*3	FRONT DISC BRAKE PAD WEAR INDICATOR PLATE	*4	GASKET
•	Non-reusable part	-	-



PROCEDURE		PART NAME CODE			
9	FRONT DISC BRAKE PAD SUPPORT PLATE	-	INFO	-	-
10	FRONT DISC BRAKE CYLINDER SLIDE PIN	47715A	-	-	-
11	FRONT DISC BRAKE CYLINDER SLIDE BUSHING	-	INFO	-	-
12	FRONT DISC BRAKE BUSHING DUST BOOT	-	-	-	-
13	FRONT DISC BRAKE CYLINDER MOUNTING	47722	-	-	-
14	FRONT DISC	43512	INFO	-	-

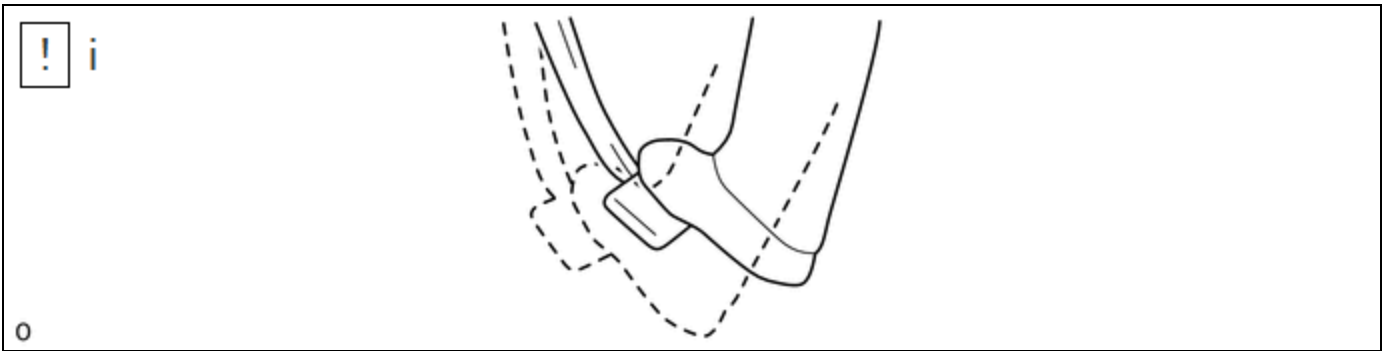
•	Non-reusable part	-	-
---	-------------------	---	---

PROCEDURE

1. PRECAUTION

	<p>NOTICE:</p> <p>After the ignition switch is turned off, there may be a waiting time before disconnecting the negative (-) auxiliary battery terminal.</p> <p>Click here INFO</p>
--	--

2. DISABLE BRAKE CONTROL



(1) Perform the following procedure to prohibit brake control.

1. Wait 4 minutes after turning the ignition switch off to ensure that the skid control ECU is in sleep mode.

NOTICE:

After turning the ignition switch off, opening/closing doors or operating the brake pedal will activate the brake control system, so do not open/close any doors or operate the brake pedal.

2. Disconnect the cable from the negative (-) auxiliary battery terminal.

for M20A-FXS:Click here [INFO](#)

for 2ZR-FXE:Click here [INFO](#)

3. To put the skid control ECU into sleep mode completely, depress the brake pedal 40 times or more.
4. Check that the brake pedal does not stroke.

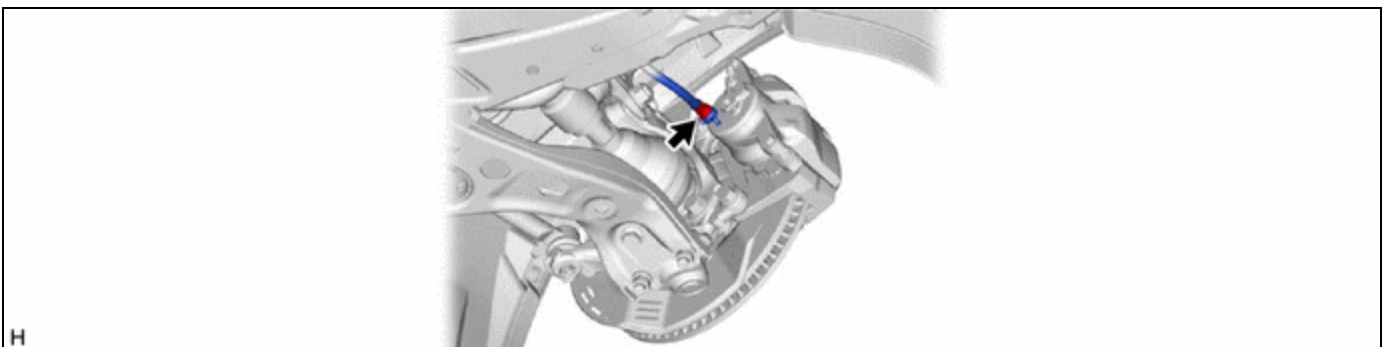
3. REMOVE FRONT WHEEL

Click here [INFO](#)

4. DRAIN BRAKE FLUID



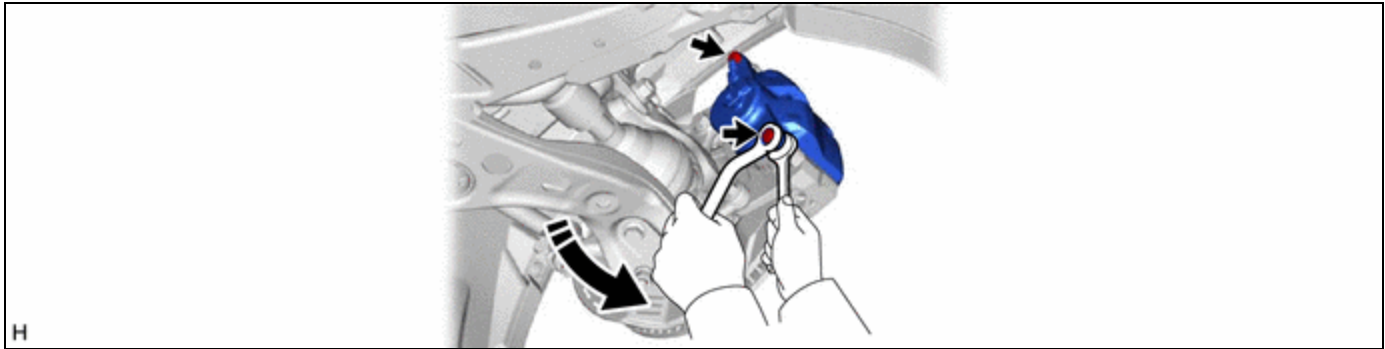
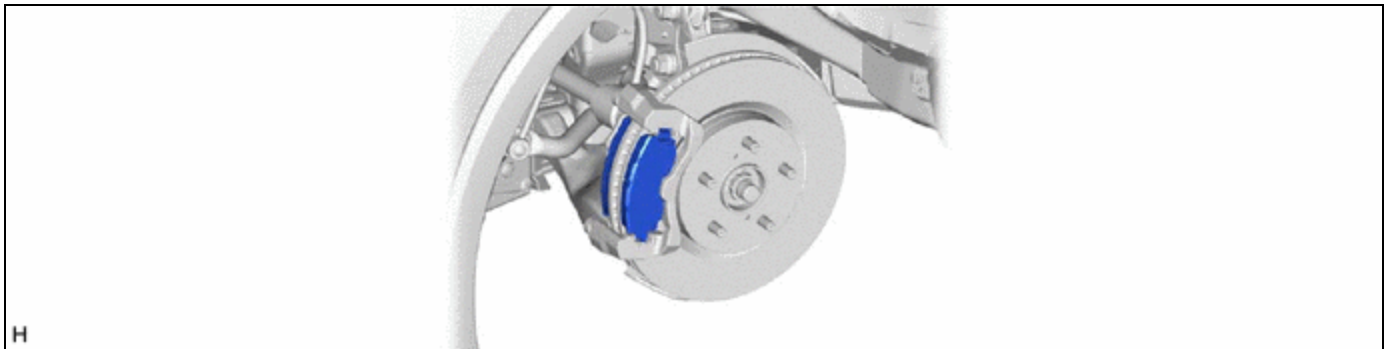
5. DISCONNECT FRONT FLEXIBLE HOSE



6. REMOVE DISC BRAKE CYLINDER ASSEMBLY

**NOTICE:**

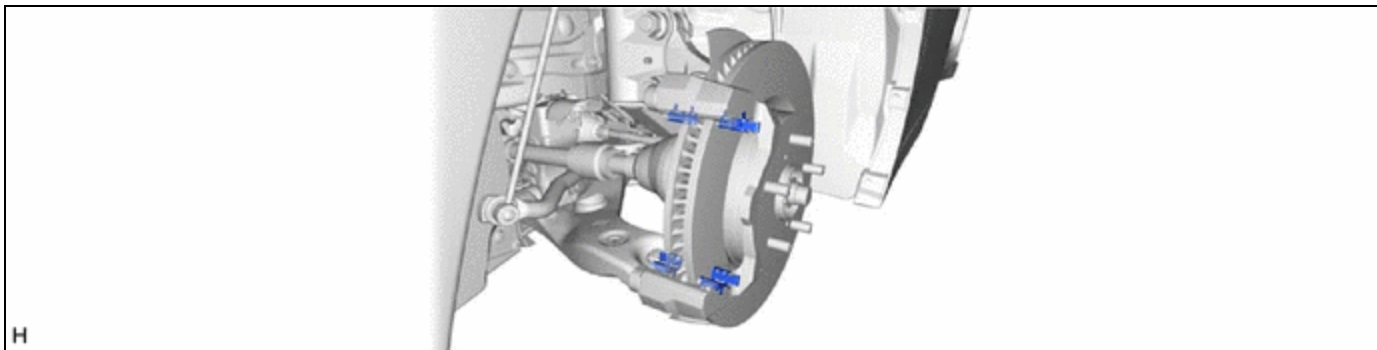
Remove the disc brake cylinder assembly while holding both of the brake pads because the anti-squeal springs may fall off the brake pads.

**7. REMOVE FRONT DISC BRAKE PAD****8. REMOVE FRONT DISC BRAKE ANTI-SQUEAL SHIM KIT**

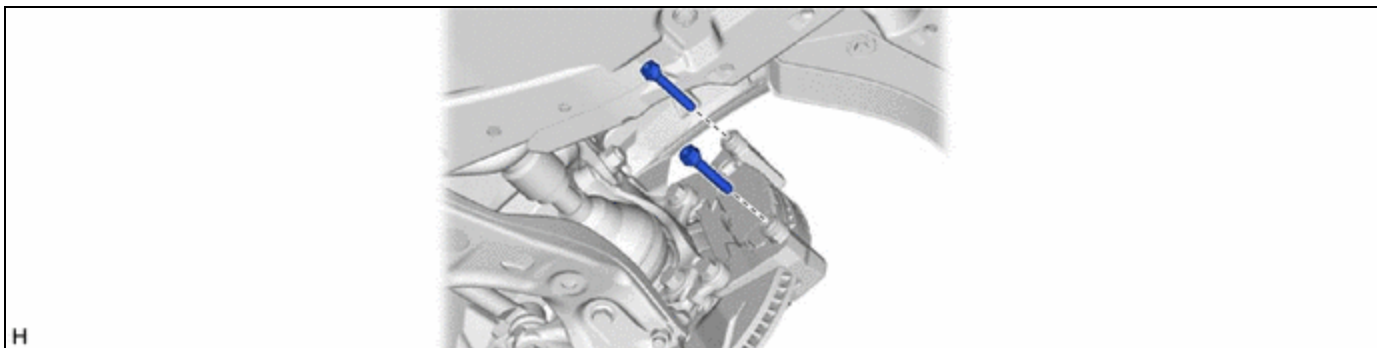
Click here [INFO](#)

9. REMOVE FRONT DISC BRAKE PAD SUPPORT PLATE**NOTICE:**

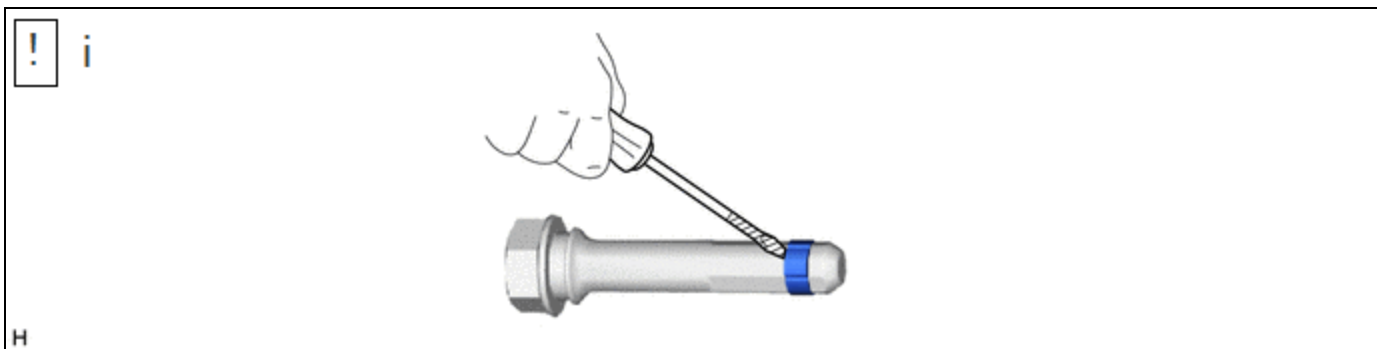
Each front disc brake pad support plate has a different shape. Be sure to put an identification mark on each front disc brake pad support plate so that it can be reinstalled to its original position.



10. REMOVE FRONT DISC BRAKE CYLINDER SLIDE PIN



11. REMOVE FRONT DISC BRAKE CYLINDER SLIDE BUSHING

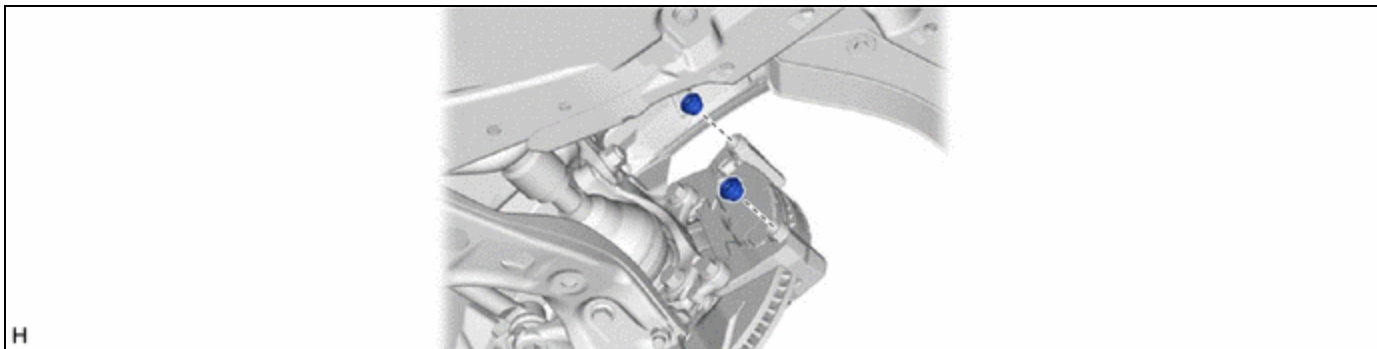


- (1) Using a screwdriver with its tip wrapped with protective tape, remove the front disc brake cylinder slide bushing from the front disc brake cylinder slide pin (lower side).

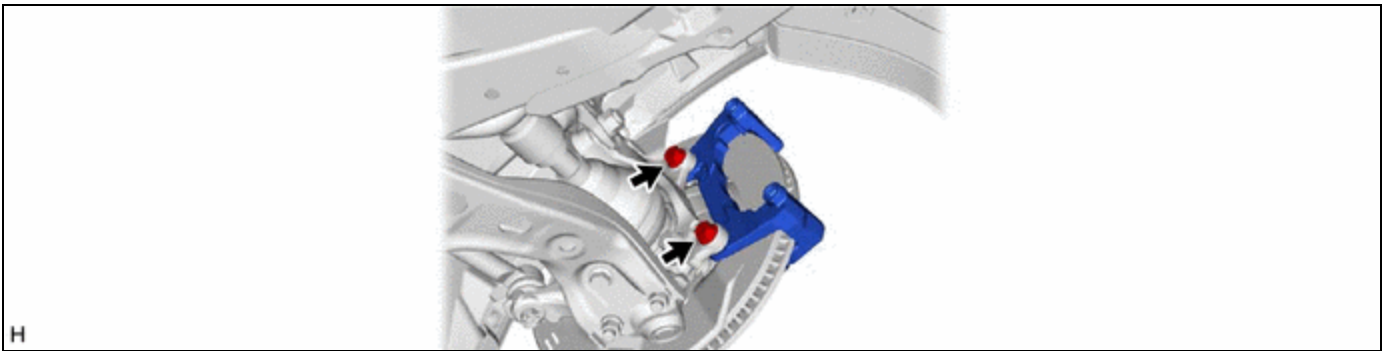
NOTICE:

Do not damage the front disc brake cylinder slide pin (lower side).

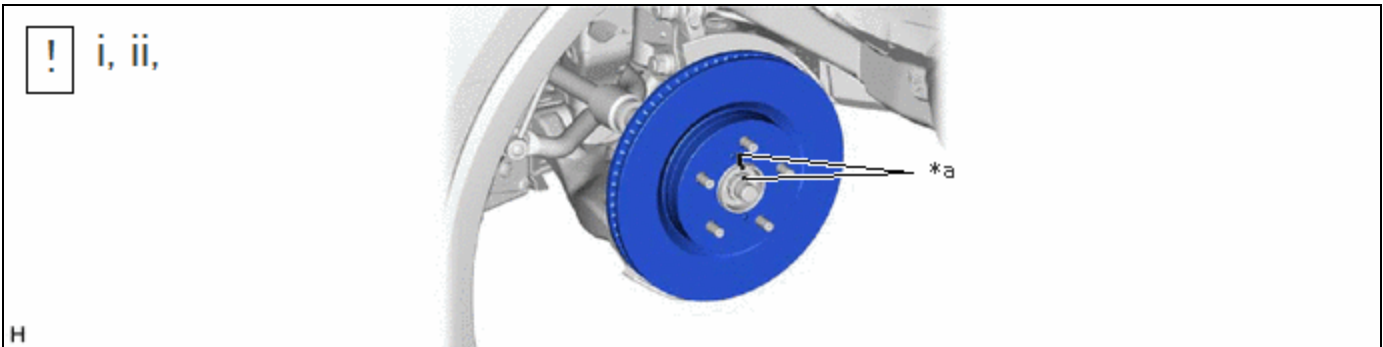
12. REMOVE FRONT DISC BRAKE BUSHING DUST BOOT



13. REMOVE FRONT DISC BRAKE CYLINDER MOUNTING



14. REMOVE FRONT DISC



*a	Matchmark	-	-
----	-----------	---	---

- (1) Put matchmarks on the front disc and the front axle hub sub-assembly.
- (2) Remove the front disc.

