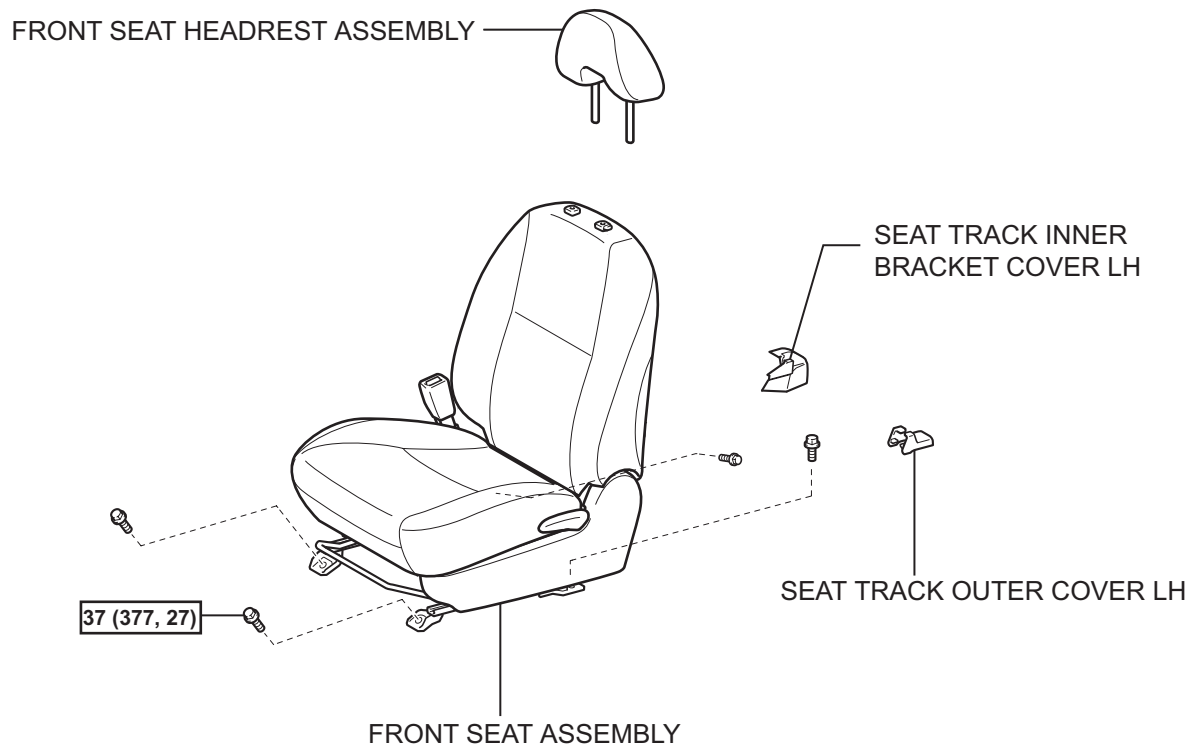
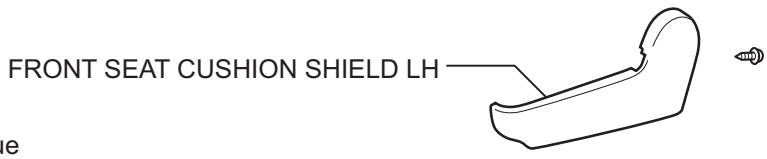
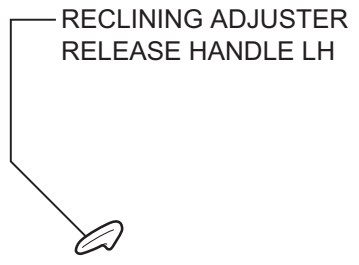
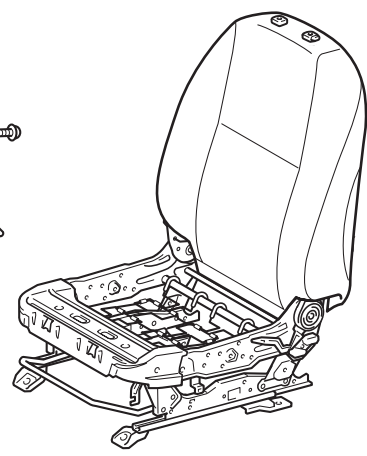
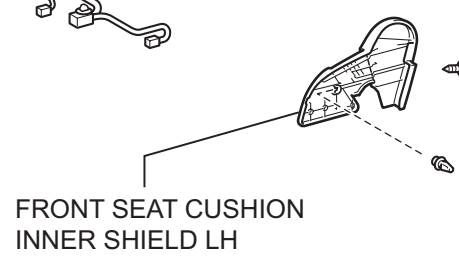
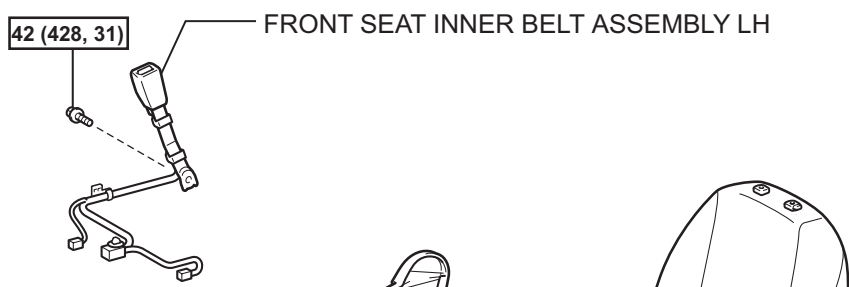
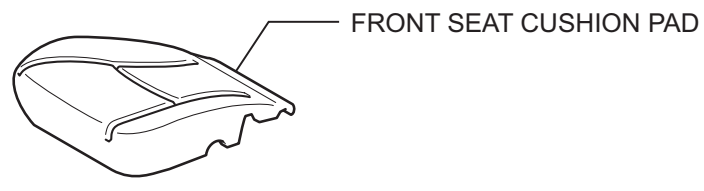
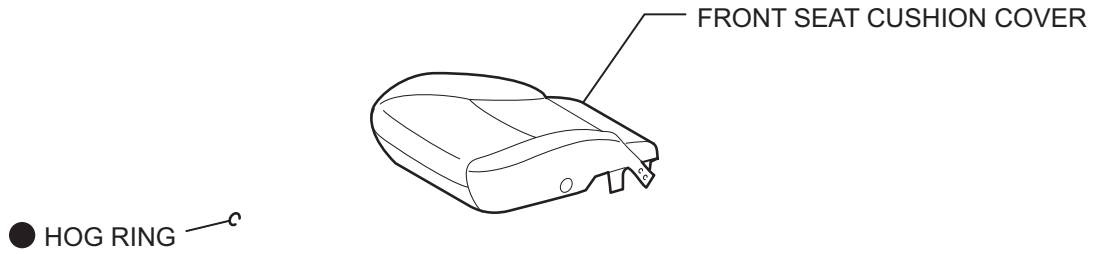


FRONT SEAT ASSEMBLY

COMPONENTS



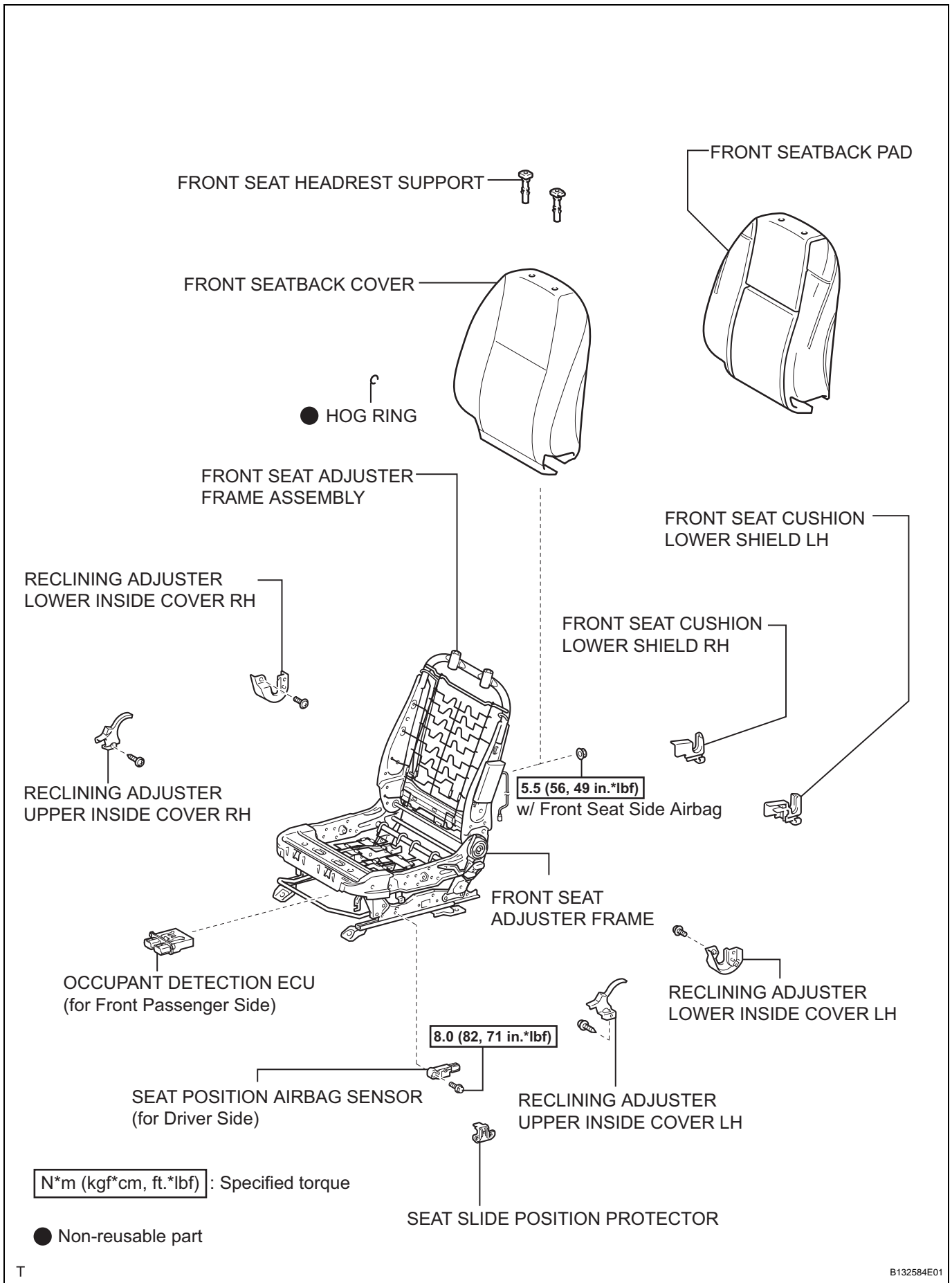
37 (377, 27) : Specified torque



N*m (kgf*cm, ft.*lbf) : Specified torque

● Non-reusable part

SE



SE

REMOVAL

HINT:

- Use the same procedures for the RH side and LH side.
- The procedures listed below are for the LH side.

1. DISCONNECT CABLE FROM NEGATIVE BATTERY TERMINAL

CAUTION:

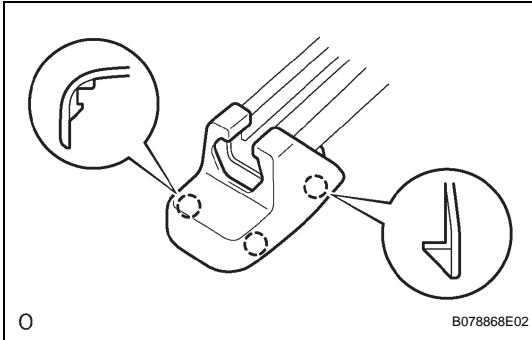
Wait at least 90 seconds after disconnecting the cable from the negative (-) battery terminal to prevent airbag and seat belt pretensioner activation.

2. REMOVE SEAT TRACK OUTER COVER LH

- (a) Using a screwdriver, detach the 3 claws and remove the seat track outer cover.

HINT:

Tape the screwdriver tip before use.

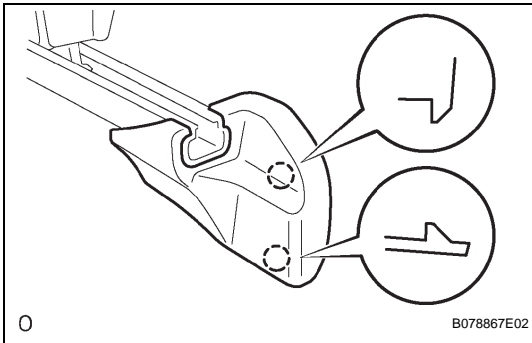


3. REMOVE SEAT TRACK INNER BRACKET COVER LH

- (a) Using a screwdriver, detach the 2 claws and remove the seat track inner bracket cover.

HINT:

Tape the screwdriver tip before use.



4. REMOVE FRONT SEAT HEADREST ASSEMBLY

5. REMOVE FRONT SEAT ASSEMBLY

- (a) Lift up the seat track adjusting handle and move the seat to the rearmost position.
- (b) Remove the 2 bolts on the front side of the seat.
- (c) Lift up the seat track adjusting handle and move the seat to the foremost position.
- (d) Remove the 2 bolts on the rear side of the seat.
- (e) Disconnect the connectors under the seat. Then remove the front seat.

NOTICE:

Be careful not to damage the vehicle body.

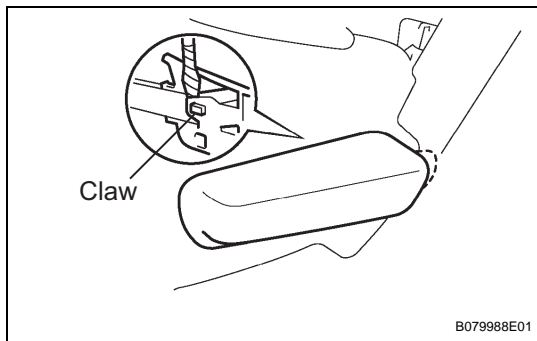
DISASSEMBLY

HINT:

- Use the same procedures for the RH side and LH side.
- The procedures listed below are for the LH side.

CAUTION:

Wear protective gloves. Sharp surfaces on the seat adjuster may injure your hands.

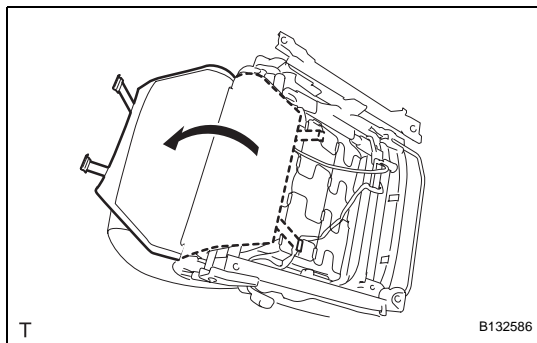


1. REMOVE RECLINING ADJUSTER RELEASE HANDLE LH

- Raise the reclining adjuster release handle to reveal the claw.
- Using a screwdriver, detach the claw and remove the release handle.

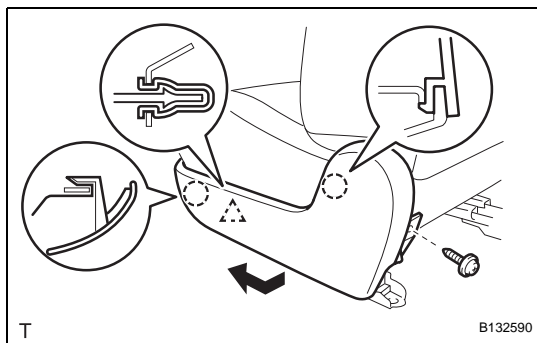
HINT:

Tape the screwdriver tip before use.



2. REMOVE FRONT SEAT CUSHION SHIELD LH

- Remove the 2 rubber bands from the back of the front seatback cover.

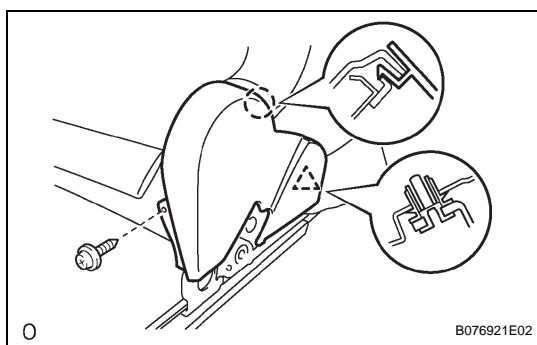


- Remove the 2 screws.
- Using a screwdriver, detach the 2 claws and clip, and remove the seat cushion shield.

HINT:

Tape the screwdriver tip before use.

3. REMOVE FRONT SEAT INNER BELT ASSEMBLY LH (See page [SB-6](#))



4. REMOVE FRONT SEAT CUSHION INNER SHIELD LH

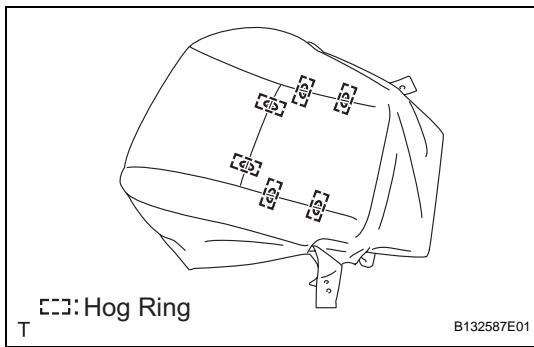
- Remove the screw.
- Using a screwdriver, detach the claw and clip, and remove the seat cushion inner shield.

HINT:

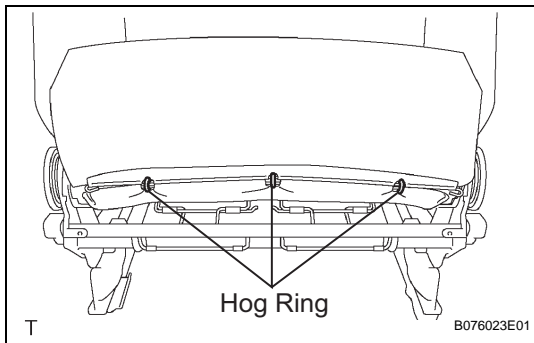
Tape the screwdriver tip before use.

5. REMOVE FRONT SEAT CUSHION COVER

- Detach the hooks and remove the 2 hog rings and seat cushion cover (with pad) from the seat adjuster.

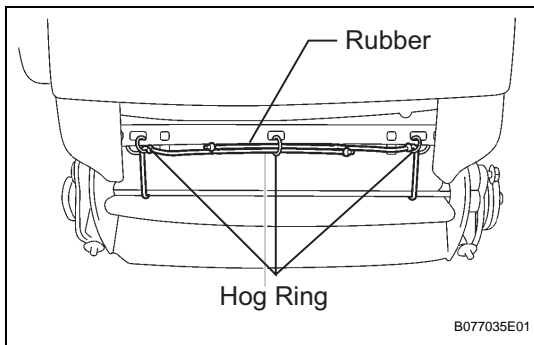


- (b) Remove the 6 hog rings and seat cushion cover from the seat cushion pad.

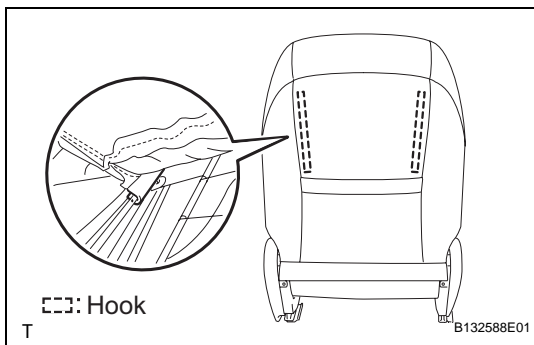


6. REMOVE FRONT SEATBACK COVER

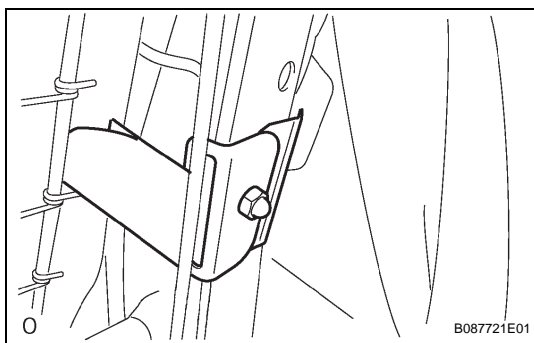
- (a) Lift up the seatback cover and remove the 3 hog rings shown in the illustration.



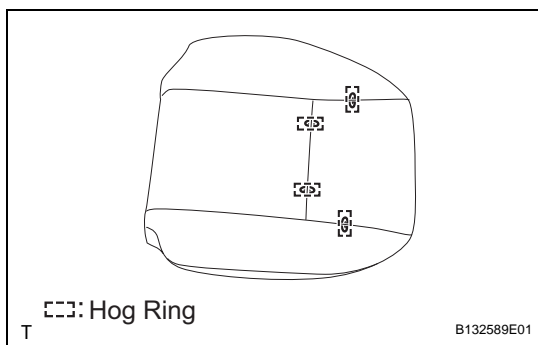
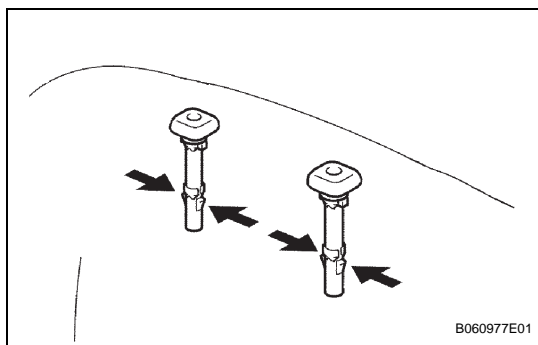
- (b) Remove the 3 hog rings shown in the illustration.



- (c) Using a screwdriver, detach the 2 hooks.



- (d) w/ Front Seat Side Airbag:
Remove the nut and 2 seatback cover brackets.
- (e) Roll up the seatback cover.



- (f) Detach the 4 claws and remove the 2 headrest supports.
- (g) Remove the seatback cover (with pad) from the seat adjuster.

- (h) Remove the 4 hog rings and seatback cover from the seatback pad.

7. REMOVE RECLINING ADJUSTER UPPER INSIDE COVER LH

- (a) Remove the screw and inside cover.

8. REMOVE RECLINING ADJUSTER UPPER INSIDE COVER RH

- (a) Remove the screw and inside cover.

9. REMOVE RECLINING ADJUSTER LOWER INSIDE COVER LH

- (a) Remove the screw and inside cover.

10. REMOVE RECLINING ADJUSTER LOWER INSIDE COVER RH

- (a) Remove the screw and inside cover.

11. REMOVE FRONT SEAT CUSHION LOWER SHIELD LH

- (a) Detach the claw and remove the lower shield.

12. REMOVE FRONT SEAT CUSHION LOWER SHIELD RH

- (a) Detach the claw and remove the lower shield.

13. REMOVE SEAT POSITION AIRBAG SENSOR (for Driver Side) (See page [RS-321](#))

14. REMOVE OCCUPANT DETECTION ECU (for Front Passenger Side)

REASSEMBLY

HINT:

- Use the same procedures for the RH side and LH side.
- The procedures listed below are for the LH side.

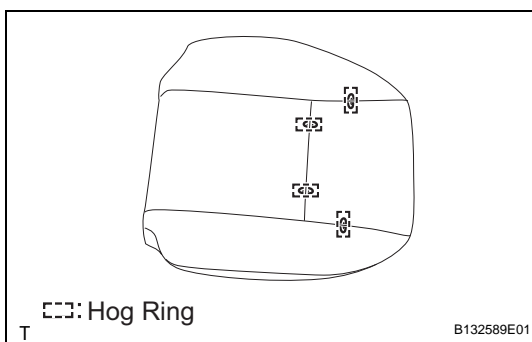
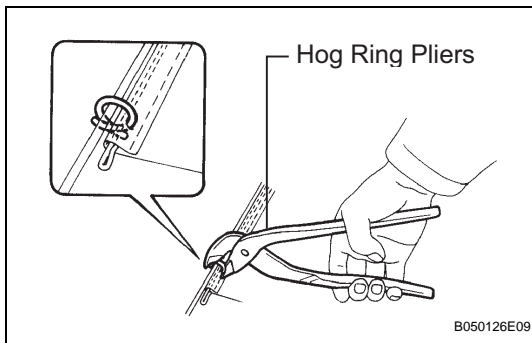
CAUTION:

Wear protective gloves. Sharp surfaces on the seat adjuster may injure your hands.

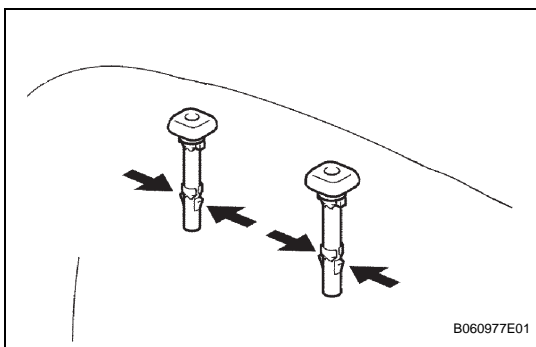
1. **INSTALL OCCUPANT DETECTION ECU (for Front Passenger Side)**
2. **INSTALL SEAT POSITION AIRBAG SENSOR (for Driver Side) (See page RS-321)**
3. **INSTALL FRONT SEAT CUSHION LOWER SHIELD LH**
(a) Attach the claw to install the lower shield.
4. **INSTALL FRONT SEAT CUSHION LOWER SHIELD RH**
(a) Attach the claw to install the lower shield.
5. **INSTALL RECLINING ADJUSTER UPPER INSIDE COVER LH**
(a) Install the inside cover with the screw.
6. **INSTALL RECLINING ADJUSTER UPPER INSIDE COVER RH**
(a) Install the inside cover with the screw.
7. **INSTALL RECLINING ADJUSTER LOWER INSIDE COVER LH**
(a) Install the inside cover with the screw.
8. **INSTALL RECLINING ADJUSTER LOWER INSIDE COVER RH**
(a) Install the inside cover with the screw.
9. **INSTALL FRONT SEATBACK COVER**

NOTICE:

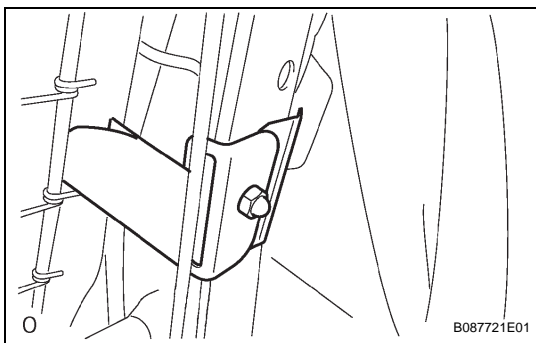
- **Be careful not to damage the cover.**
- **When installing the hog rings, avoid wrinkling the cover.**



- (a) Using hog ring pliers, install the seatback cover to the seatback pad with 4 new hog rings.
- (b) Install the seatback cover (with pad) to the seat adjuster.



(c) Attach the 4 claws to install the 2 headrest supports.

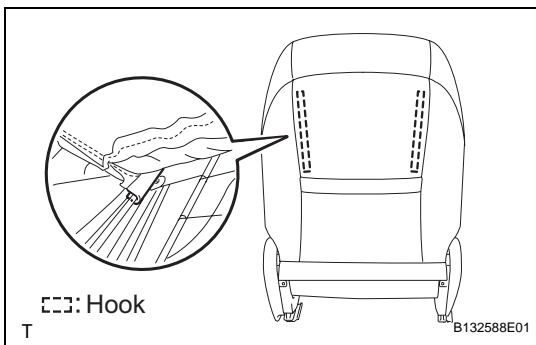


(d) w/ Front Seat Side Airbag:
Fully cover the airbag with the 2 seatback cover brackets and install the nut.

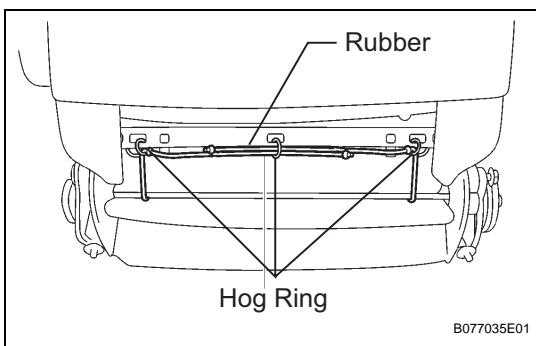
Torque: 5.5 N*m (56 kgf*cm, 49 in.*lbf)

NOTICE:

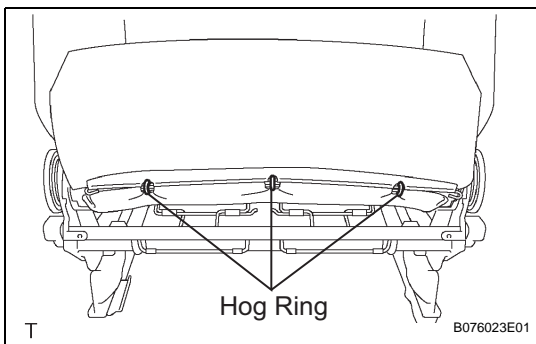
- For vehicles with side airbags, the seatback cover must be securely installed. If not, the side airbag may not deploy properly.
- Make sure that the strap is not twisted after installing the bracket.
- Install the bracket securely.



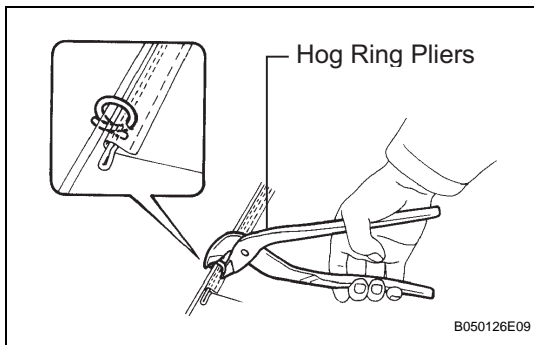
(e) Attach the 2 hooks to the seat adjuster.



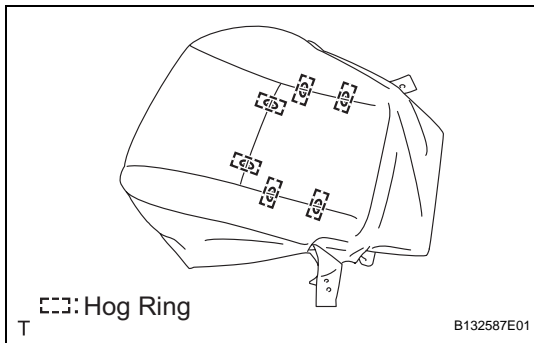
(f) Using hog ring pliers, attach a rubber with 3 new hog rings.



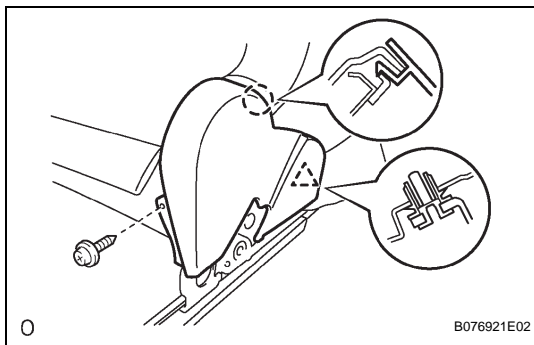
(g) Using hog ring pliers, install 3 new hog rings.

**10. INSTALL FRONT SEAT CUSHION COVER****NOTICE:**

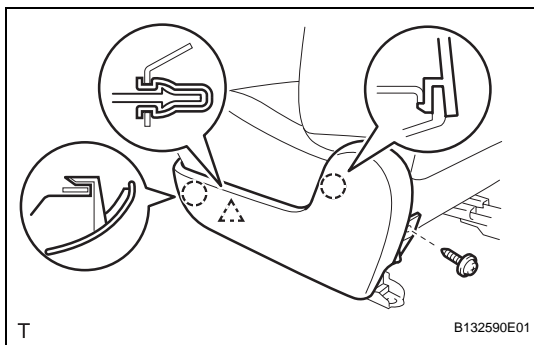
- Be careful not to damage the cover.
- When installing the hog rings, avoid wrinkling the cover.



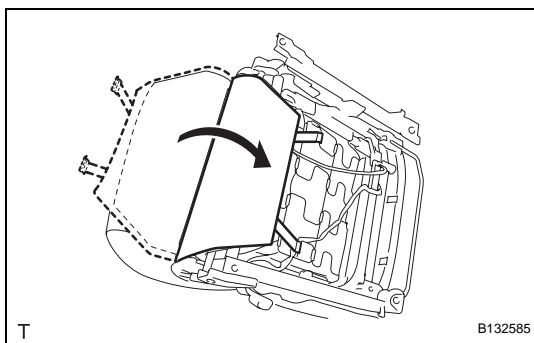
- Using hog ring pliers, install the seat cushion cover to the seat cushion pad with 6 new hog rings.
- Using hog ring pliers, install the seat cushion cover (with pad) to the seat adjuster with 2 new hog rings and hooks.

11. INSTALL FRONT SEAT INNER BELT ASSEMBLY LH
(See page [SB-6](#))**12. REMOVE FRONT SEAT CUSHION INNER SHIELD LH**

- Attach the claw and clip to install the seat cushion inner shield.
- Install the screw.

**13. INSTALL FRONT SEAT CUSHION SHIELD LH**

- Attach the 2 claws and clip to install the seat cushion shield.
- Install the screw.



- Attach the 2 rubber bands of back of the front seatback cover.

14. INSTALL RECLINING ADJUSTER RELEASE HANDLE LH

- Attach the claw to install the release handle.

INSTALLATION

HINT:

- Use the same procedures for the RH side and LH side.
- The procedures listed below are for the LH side.

1. INSTALL FRONT SEAT ASSEMBLY

- (a) Place the seat in the cabin.

NOTICE:

Be careful not to damage the vehicle body.

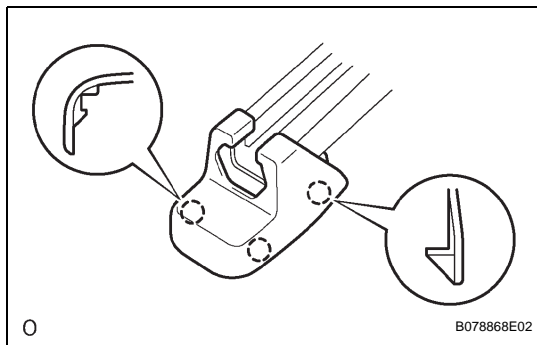
- (b) Connect the connectors under the seat.
 (c) Install the 2 bolts on the front side of the seat.
Torque: 37 N*m (377 kgf*cm, 27 ft.*lbf)
 (d) Install the 2 bolts on the rear side of the seat.
Torque: 37 N*m (377 kgf*cm, 27 ft.*lbf)

2. INSPECT AND ADJUST SEAT SLIDE ADJUSTER LOCKS

- (a) During sliding operation of the front seat, check that the left and right adjusters move together smoothly and lock simultaneously. If the seat adjusters do not lock simultaneously, loosen the seat fixation bolts to adjust the adjuster's position.

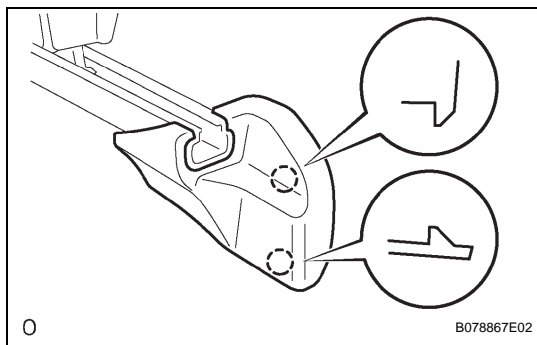
3. INSTALL SEAT TRACK OUTER COVER LH

- (a) Attach the 3 claws to install the seat track outer cover.



4. INSTALL SEAT TRACK INNER BRACKET COVER LH

- (a) Attach the 2 claws to install the seat track bracket cover.



5. CONNECT CABLE TO NEGATIVE BATTERY TERMINAL

6. INSPECT FRONT SEAT ASSEMBLY (for Front Passenger Side)

- (a) Perform the zero point calibration and sensitivity check (see page [RS-174](#)).

7. PERFORM INITIALIZATION

- (a) Perform initialization (see page [IN-32](#)).

NOTICE:

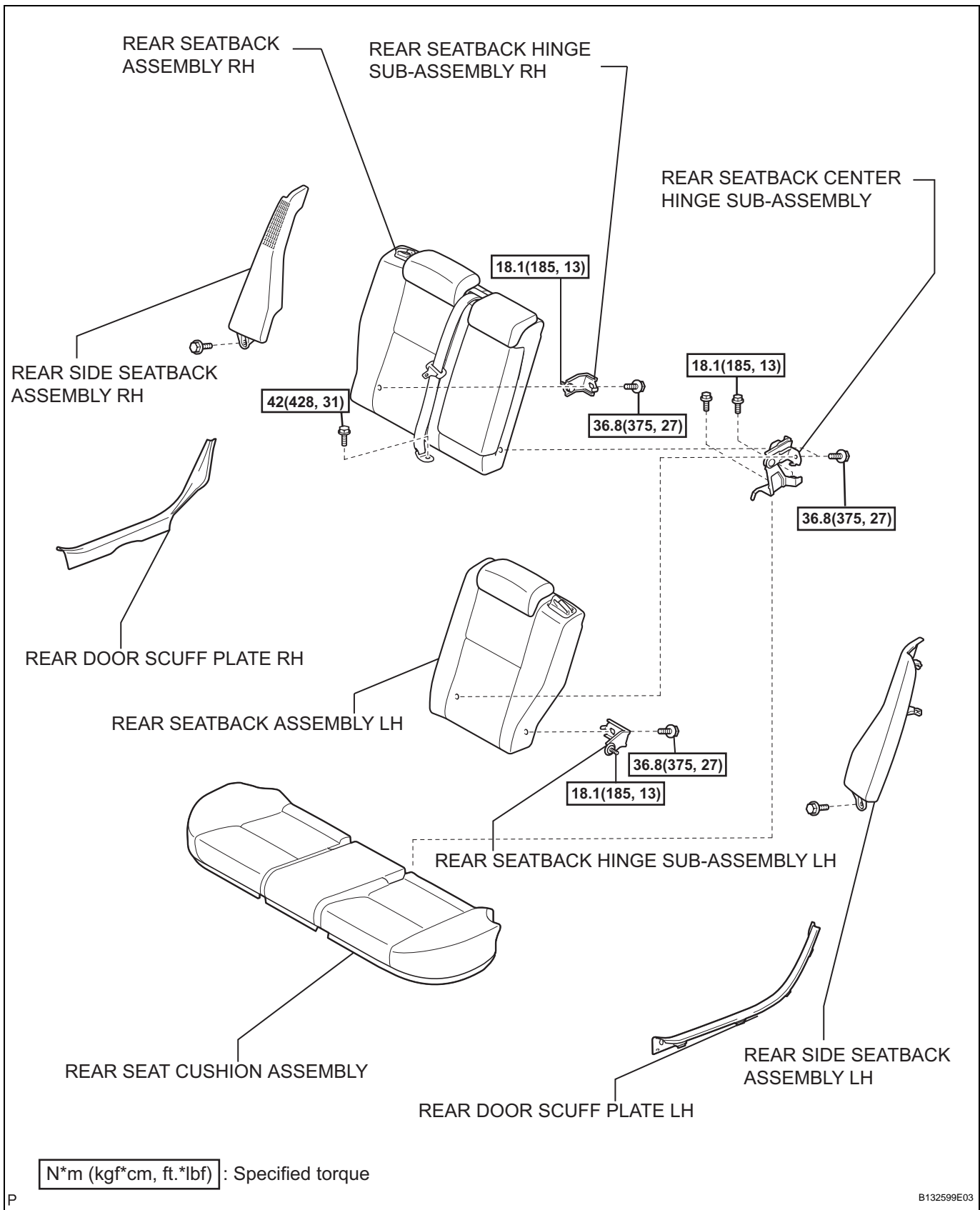
Certain systems need to be initialized after disconnecting and reconnecting the cable from the negative (-) battery terminal.

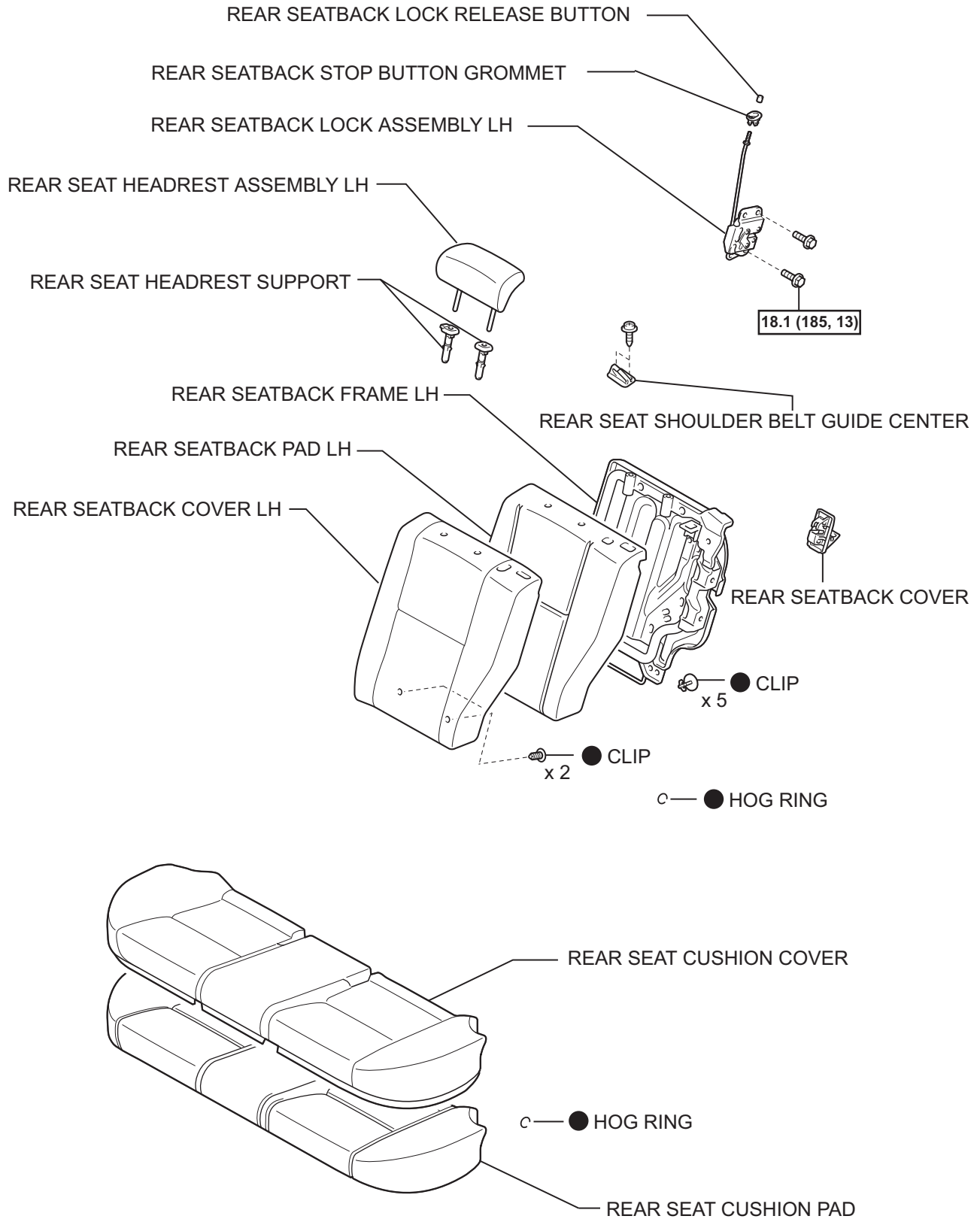
8. CHECK SRS WARNING LIGHT

- (a) Check the SRS warning light (see page [RS-31](#)).

REAR SEAT ASSEMBLY

COMPONENTS

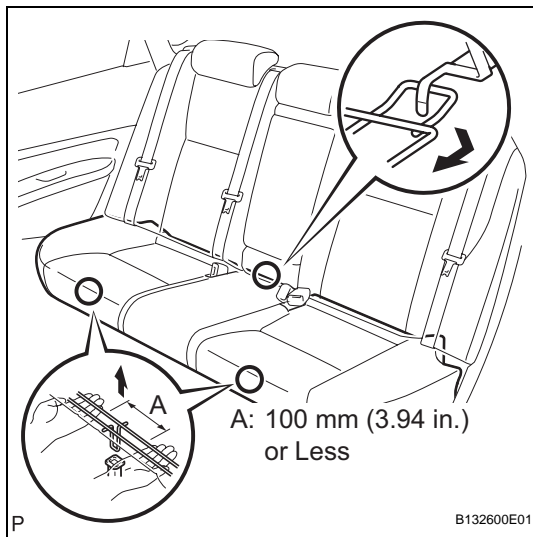




N*m (kgf*cm, ft.*lbf) : Specified torque

● Non-reusable part

SE



REMOVAL

1. REMOVE REAR SEAT CUSHION ASSEMBLY

- (a) Detach the seat cushion's 2 front hooks from the vehicle body.

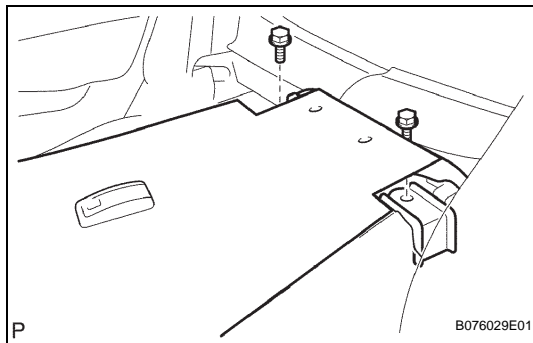
NOTICE:

Follow the instructions below carefully as the cushion frame deforms easily.

- (1) Choose a hook to detach first. Place your hands near the hook as shown in the illustration. Then lift the seat cushion to detach the hook.
 (2) Repeat for the other hook.
 (b) Detach the seat cushion's rear hook.
 (c) Remove the seat cushion.

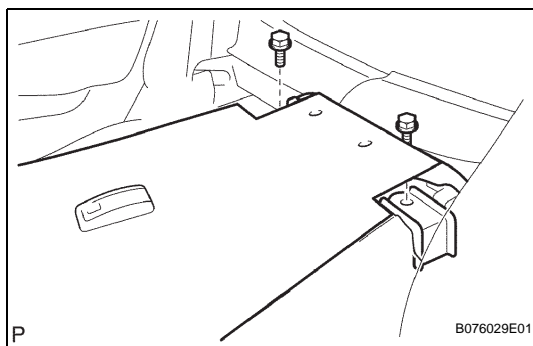
2. REMOVE REAR SEATBACK ASSEMBLY LH

- (a) Open the front part of the rear No. 1 floor deck board.
 (b) Tilt the seatback down toward the front of the vehicle.
 (c) Remove the 2 bolts and seatback.



3. REMOVE REAR SEATBACK ASSEMBLY RH

- (a) Remove the bolt and disconnect the rear seat outer belt floor anchor.
 (b) Open the front part of the rear No. 1 floor deck board.
 (c) Tilt the seatback down toward the front of the vehicle.



- (d) Remove the 2 bolts and seatback.

4. REMOVE REAR DOOR SCUFF PLATE LH (See page [IR-9](#))

5. REMOVE REAR DOOR SCUFF PLATE RH (See page [IR-9](#))

6. REMOVE REAR SIDE SEATBACK ASSEMBLY LH

- (a) Remove the bolt and side seatback.

7. REMOVE REAR SIDE SEATBACK ASSEMBLY RH

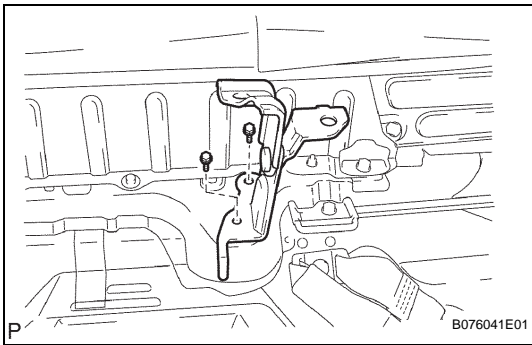
- (a) Remove the bolt and side seatback.

8. REMOVE REAR SEATBACK HINGE SUB-ASSEMBLY LH

- (a) Remove the bolt and hinge.

9. REMOVE REAR SEATBACK HINGE SUB-ASSEMBLY RH

- (a) Remove the bolt and hinge.



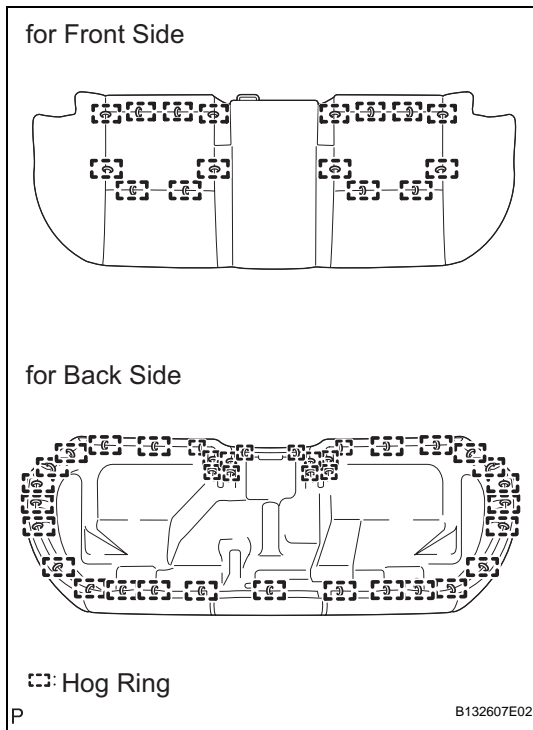
10. REMOVE REAR SEATBACK CENTER HINGE SUB-ASSEMBLY

- (a) Remove the 2 bolts and hinge.

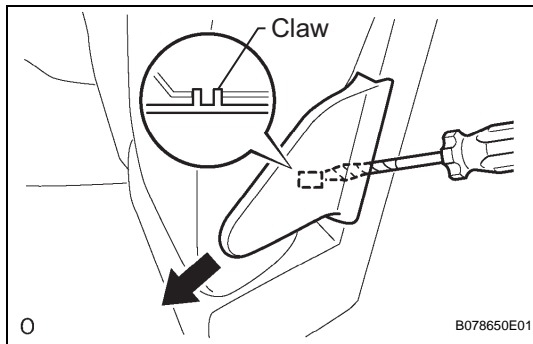
DISASSEMBLY

CAUTION:

Wear protective gloves. Sharp areas on the seatback frame may injure your hands.

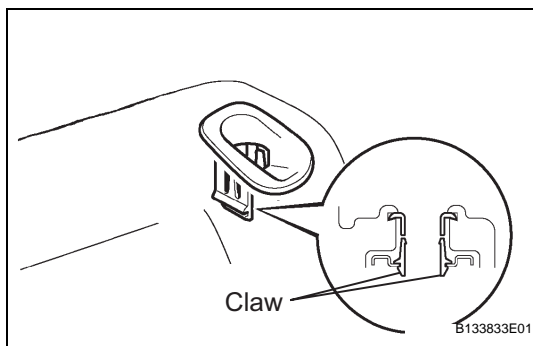


1. **REMOVE REAR SEAT CUSHION COVER**
 - (a) Remove the 51 hog rings and cushion cover from the cushion pad.
2. **REMOVE REAR SEAT HEADREST ASSEMBLY LH**
3. **REMOVE REAR SEAT HEADREST ASSEMBLY RH**
4. **REMOVE REAR SEAT CENTER HEADREST ASSEMBLY**



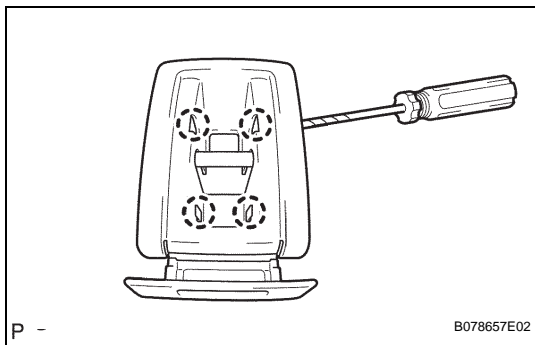
5. **REMOVE REAR SEAT CENTER ARMREST ASSEMBLY**
 - (a) Using a screwdriver, pry out the armrest hinge cover.

HINT:
Tape the screwdriver tip before use.



6. **REMOVE REAR SEATBACK COVER LH**
 - (a) Remove the rear seatback lock release button.
 - (b) Remove the 2 screws and shoulder belt guide.
 - (c) Using a screwdriver, detach the claws and remove the seatback stop button grommet.

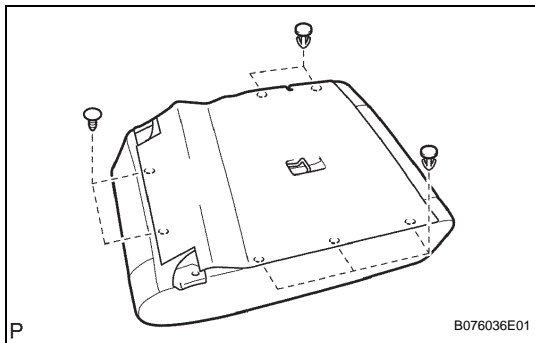
HINT:
In order to detach the claws of the seatback stop button grommet, insert your hand between the seatback frame and the seatback cover (with pad).



- (d) Using a screwdriver, detach the 4 claws and remove the rear seatback cover.

HINT:

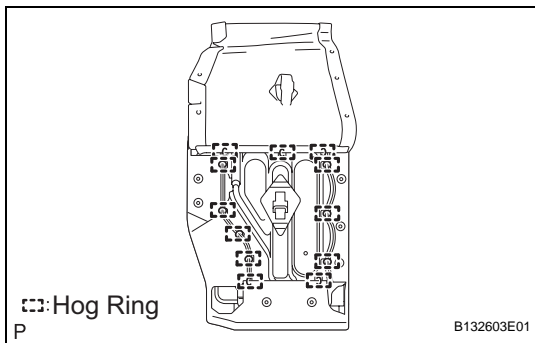
Tape the screwdriver tip before use.



- (e) Using a clip remover, remove the 7 clips.

NOTICE:

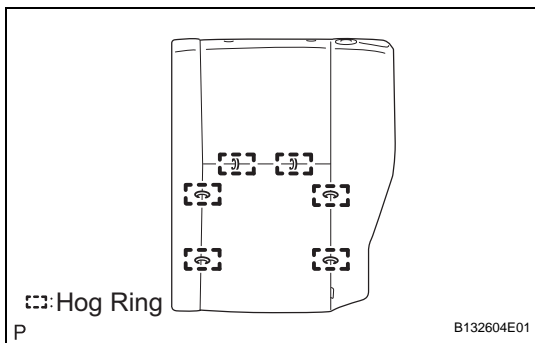
If clips are damaged during removal, replace them.



- (f) Lift up the seatback cover and remove the 12 hog rings.

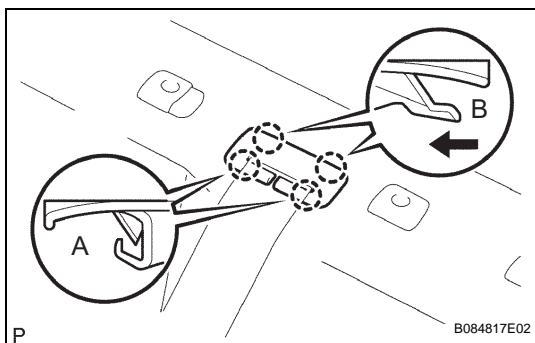
- (g) Detach the claws and remove the 2 headrest supports.

- (h) Remove the seatback cover (with pad) from the seatback frame.



- (i) Remove the 6 hog rings and seatback cover from the seatback pad.

SE



7. REMOVE REAR SEAT BACK COVER RH

- (a) Using a screwdriver, detach the 2 claws labeled A.

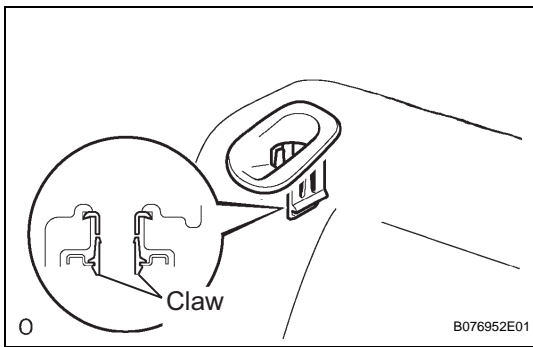
HINT:

Tape the screwdriver tip before use.

- (b) Pull the shoulder belt cover in the direction indicated by the arrow in the illustration to detach the 2 claws labeled B. Then remove the shoulder belt cover.

- (c) Remove the rear seatback lock release button.

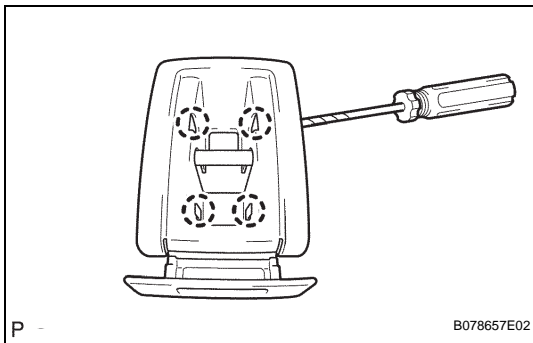
- (d) Remove the 2 screws and shoulder belt guide.



- (e) Using a screwdriver, detach the claws and remove the seatback stop button grommet.

HINT:

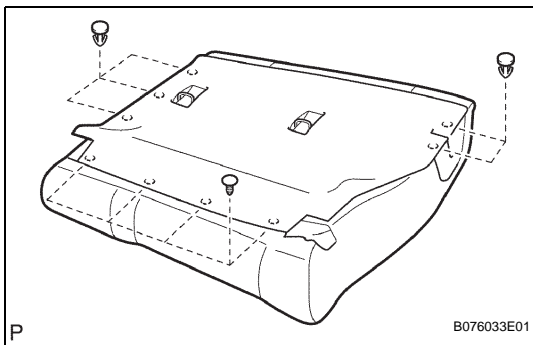
In order to detach the claws of the seatback stop button grommet, insert your hand between the seatback frame and the seatback cover (with pad).



- (f) Using a screwdriver, detach the 4 claws and remove the rear seatback cover.

HINT:

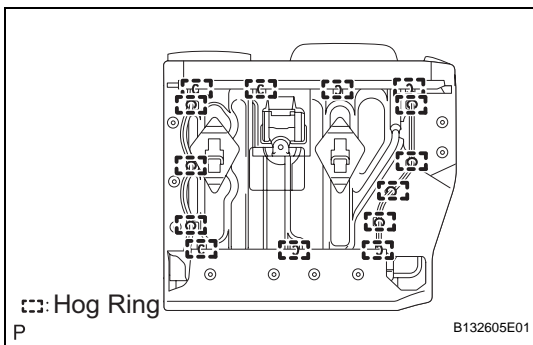
Tape the screwdriver tip before use.



- (g) Using a clip remover, remove the 9 clips.

NOTICE:

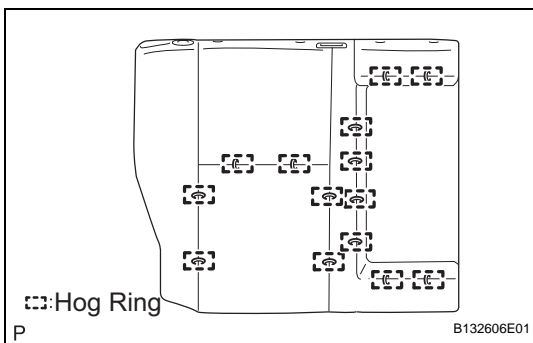
If clips are damaged during removal, replace them.



- (h) Lift up the seatback cover and remove the 14 hog rings.

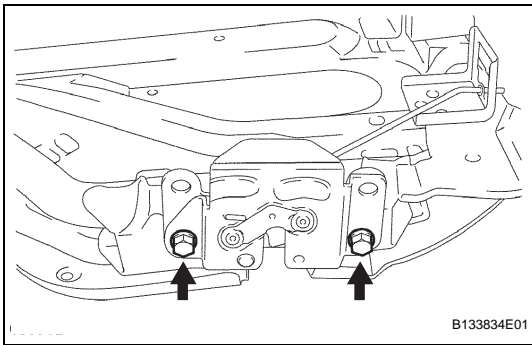
- (i) Detach the claws and remove the 2 headrest supports.

- (j) Remove the seatback cover (with pad) from the seatback frame.



- (k) Remove the 14 hog rings and seatback cover from the seatback pad.

8. REMOVE REAR SEAT OUTER BELT ASSEMBLY CENTER (See page [SB-22](#))

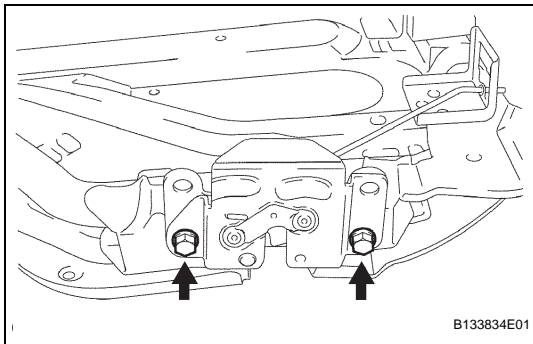


- 9. REMOVE REAR SEATBACK LOCK ASSEMBLY LH**
 - (a) Remove the 2 bolts and lock.
- 10. REMOVE REAR SEATBACK LOCK ASSEMBLY RH**
 - (a) Remove the 2 bolts and lock.

REASSEMBLY

CAUTION:

Wear protective gloves. Sharp areas on the seatback frame may injure your hands.



1. INSTALL REAR SEATBACK LOCK ASSEMBLY LH

- (a) Install the lock with the 2 bolts.

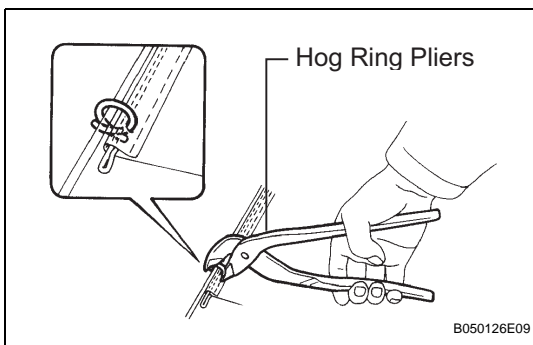
Torque: 18.1 N*m (185 kgf*cm, 13 ft.*lbf)

2. INSTALL REAR SEATBACK LOCK ASSEMBLY RH

- (a) Install the lock with the 2 bolts.

Torque: 18.1 N*m (185 kgf*cm, 13 ft.*lbf)

3. INSTALL REAR SEAT OUTER BELT ASSEMBLY CENTER (See page [SB-23](#))



4. INSTALL REAR SEAT BACK COVER LH

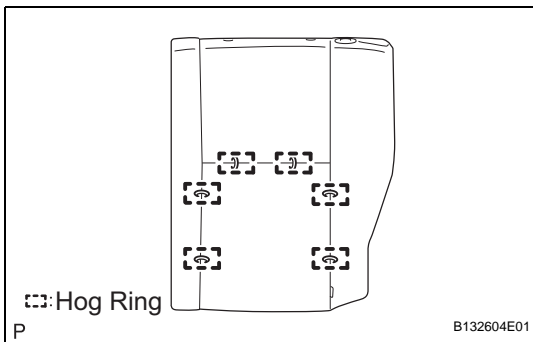
NOTICE:

- Be careful not to damage the cover.
- When installing the hog rings, avoid wrinkling the cover.

- (a) Install the seatback cover (with pad) to the seatback frame.

NOTICE:

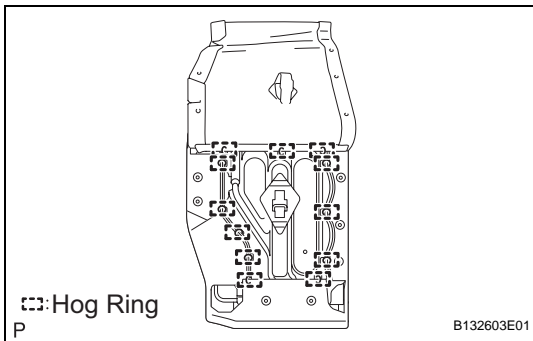
Be careful not to damage the cover.



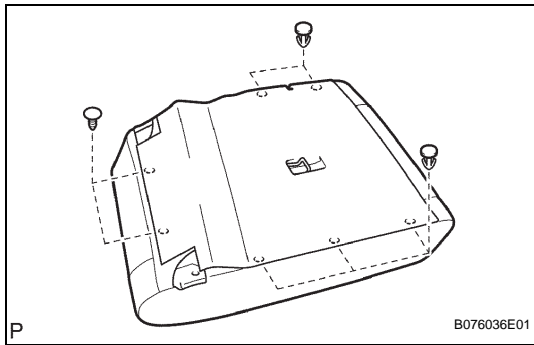
- (b) Using hog ring pliers, install the seatback cover to the seatback pad with 6 new hog rings.

- (c) Install the seatback cover (with pad) to the seatback frame.

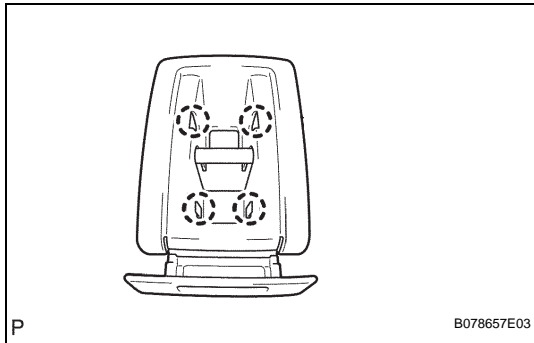
- (d) Attach the claws to install the 2 headrest supports.



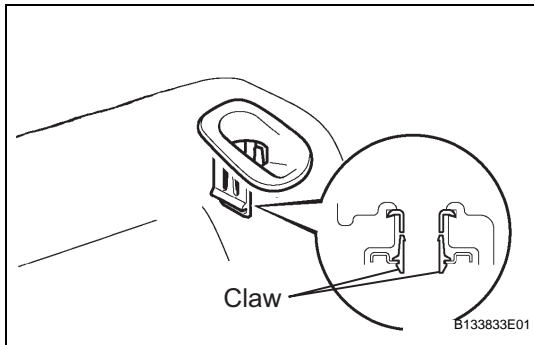
- (e) Using hog ring pliers, install 12 new hog rings.



(f) Install the 7 clips.



(g) Attach the 4 claws to install the rear seatback cover.



(h) Attach the claws to install the seatback stop button grommet.

(i) Install the shoulder belt guide with the 2 screws.

(j) Install the rear seatback lock release button.

5. INSTALL REAR SEATBACK COVER RH

NOTICE:

- Be careful not to damage the cover.
- When installing the hog rings, avoid wrinkling the cover.

(a) Install the seatback cover (with pad) to the seatback frame.

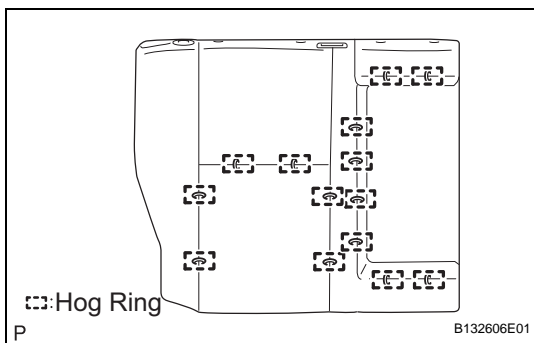
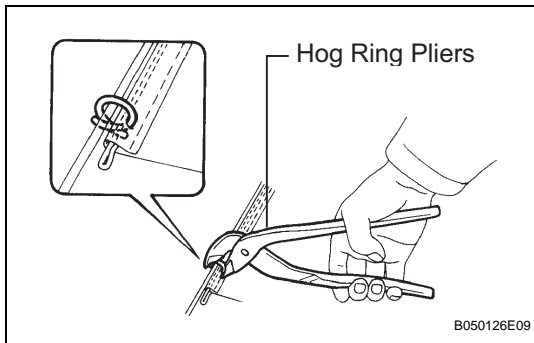
NOTICE:

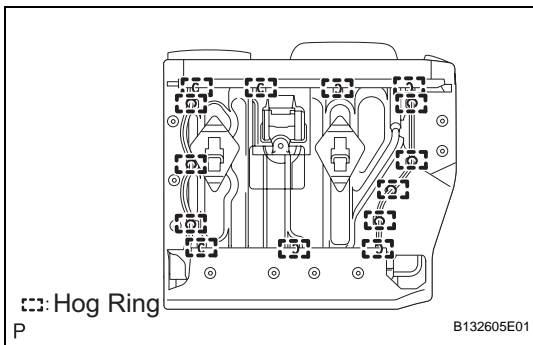
Be careful not to damage the cover.

(b) Using hog ring pliers, install the seatback cover to the seatback pad with 14 new hog rings.

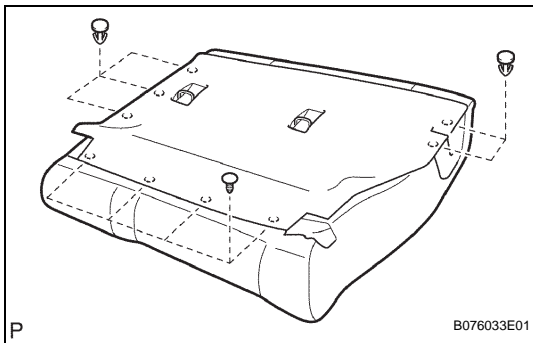
(c) Install the seatback cover (with pad) to the seatback frame.

(d) Attach the claws to install the 2 headrest supports.

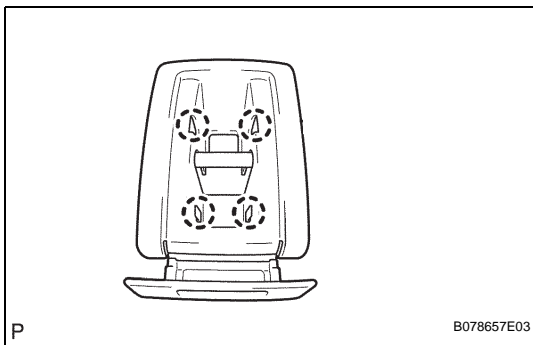




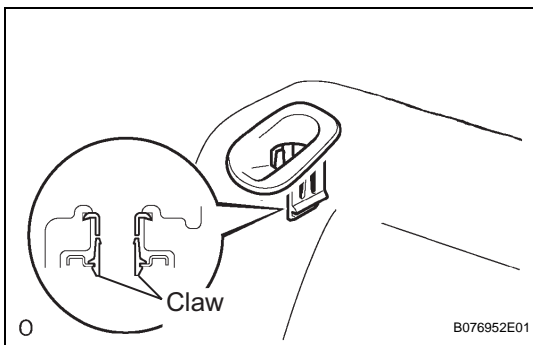
(e) Using hog ring pliers, install 14 new hog rings.



(f) Install the 9 clips.



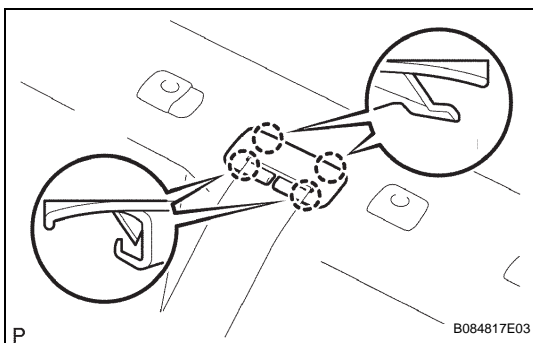
(g) Attach the 4 claws to install the rear seatback cover.



(h) Attach the claws to install the seatback stop button grommet.

(i) Install the shoulder belt guide with the 2 screws.

(j) Install the rear seatback lock release button.



(k) Attach the 4 claws to install the shoulder belt cover.

6. INSTALL REAR SEAT CENTER ARMREST ASSEMBLY

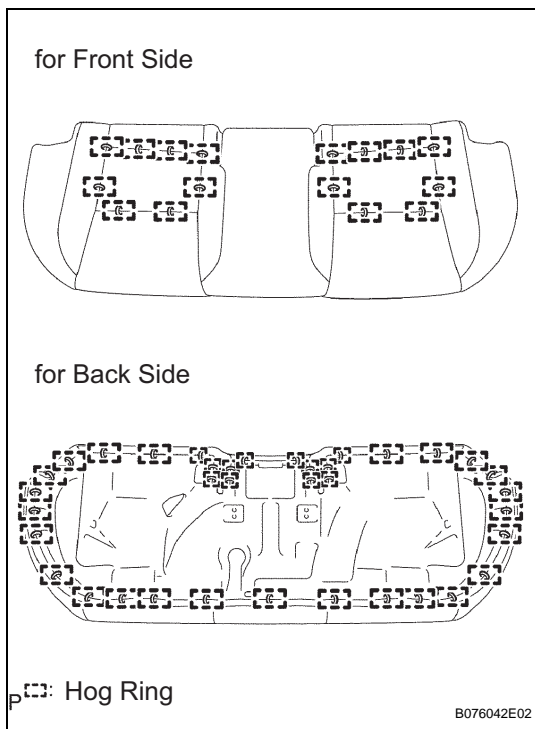
(a) Install the armrest with the bolt.

(b) Attach the claw to install the armrest hinge cover.

7. INSTALL REAR SEAT HEADREST ASSEMBLY LH

8. INSTALL REAR SEAT HEADREST ASSEMBLY RH

9. INSTALL REAR SEAT CENTER HEADREST ASSEMBLY

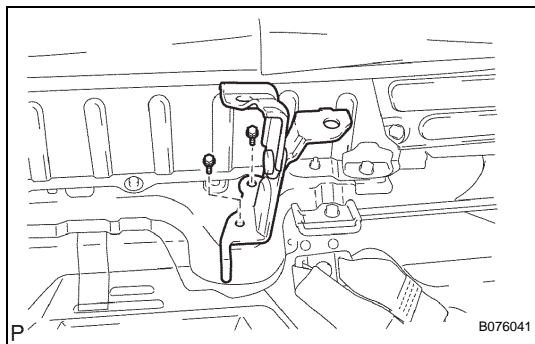


10. INSTALL REAR SEAT CUSHION COVER

- (a) Using hog ring pliers, install the cushion cover to the cushion pad with 51 new hog rings.

NOTICE:

- Be careful not to damage the cover.
- When installing the hog rings, minimize wrinkles as much as possible.



INSTALLATION

1. INSTALL REAR SEATBACK CENTER HINGE SUB-ASSEMBLY

- (a) Install the hinge with the 2 bolts.
Torque: 18.1 N*m (185 kgf*cm, 13 ft.*lbf)

2. INSTALL REAR SEATBACK HINGE SUB-ASSEMBLY LH

- (a) Install the hinge with the bolt.
Torque: 18.1 N*m (185 kgf*cm, 13 ft.*lbf)

3. INSTALL REAR SEATBACK HINGE SUB-ASSEMBLY RH

- (a) Install the hinge with the bolt.
Torque: 18.1 N*m (185 kgf*cm, 13 ft.*lbf)

4. INSTALL REAR SIDE SEATBACK ASSEMBLY LH

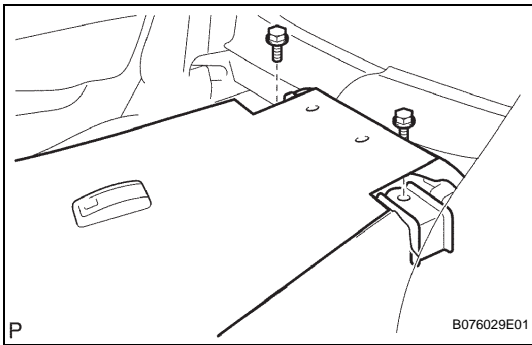
- (a) Install the side seatback with the bolt.

5. INSTALL REAR SIDE SEATBACK ASSEMBLY RH

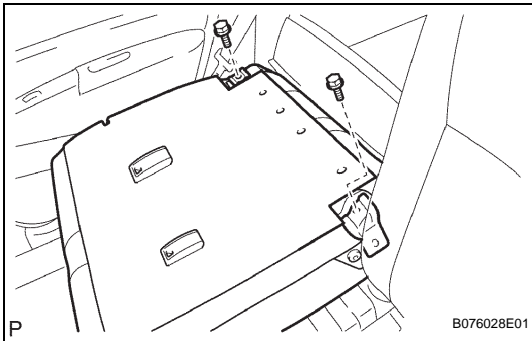
- (a) Install the side seatback with the bolt.

6. INSTALL REAR DOOR SCUFF PLATE LH (See page [IR-18](#))

7. INSTALL REAR DOOR SCUFF PLATE RH (See page [IR-18](#))

**8. INSTALL REAR SEATBACK ASSEMBLY LH**

- (a) Install the seatback with the 2 bolts.
Torque: 36.8 N*m (375 kgf*cm, 27 ft.*lbf)
- (b) Close the front part of the rear No. 1 floor deck board.
- (c) Return the seatback to the upright position.

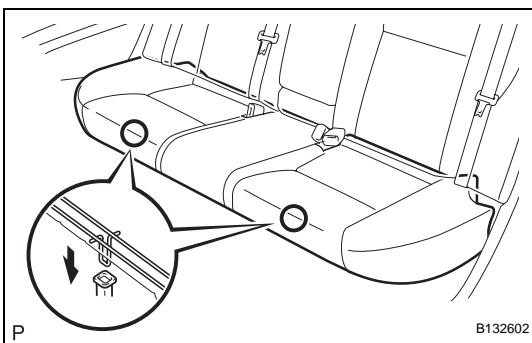
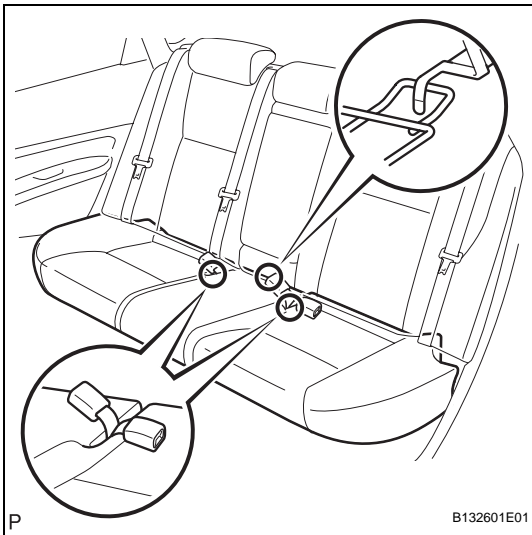
**9. INSTALL REAR SEATBACK ASSEMBLY RH**

- (a) Install the seatback with the 2 bolts.
Torque: 36.8 N*m (375 kgf*cm, 27 ft.*lbf)
- (b) Close the front part of the rear No. 1 floor deck board.
- (c) Return the seatback to the upright position.
- (d) Connect the rear seat outer belt floor anchor with the bolt.
Torque: 42 N*m (428 kgf*cm, 31 ft.*lbf)

10. INSTALL REAR SEAT CUSHION ASSEMBLY**NOTICE:**

When installing the seat cushion, make sure the seat belt buckle is not under the seat cushion.

- (a) Attach the seat cushion's rear hook to the center hinge.
- (b) Insert the inner belts through the slits on the seat cushion.



- (c) Attach the seat cushion's 2 front hooks to the vehicle body.
- (d) Confirm that the seat cushion is firmly installed.