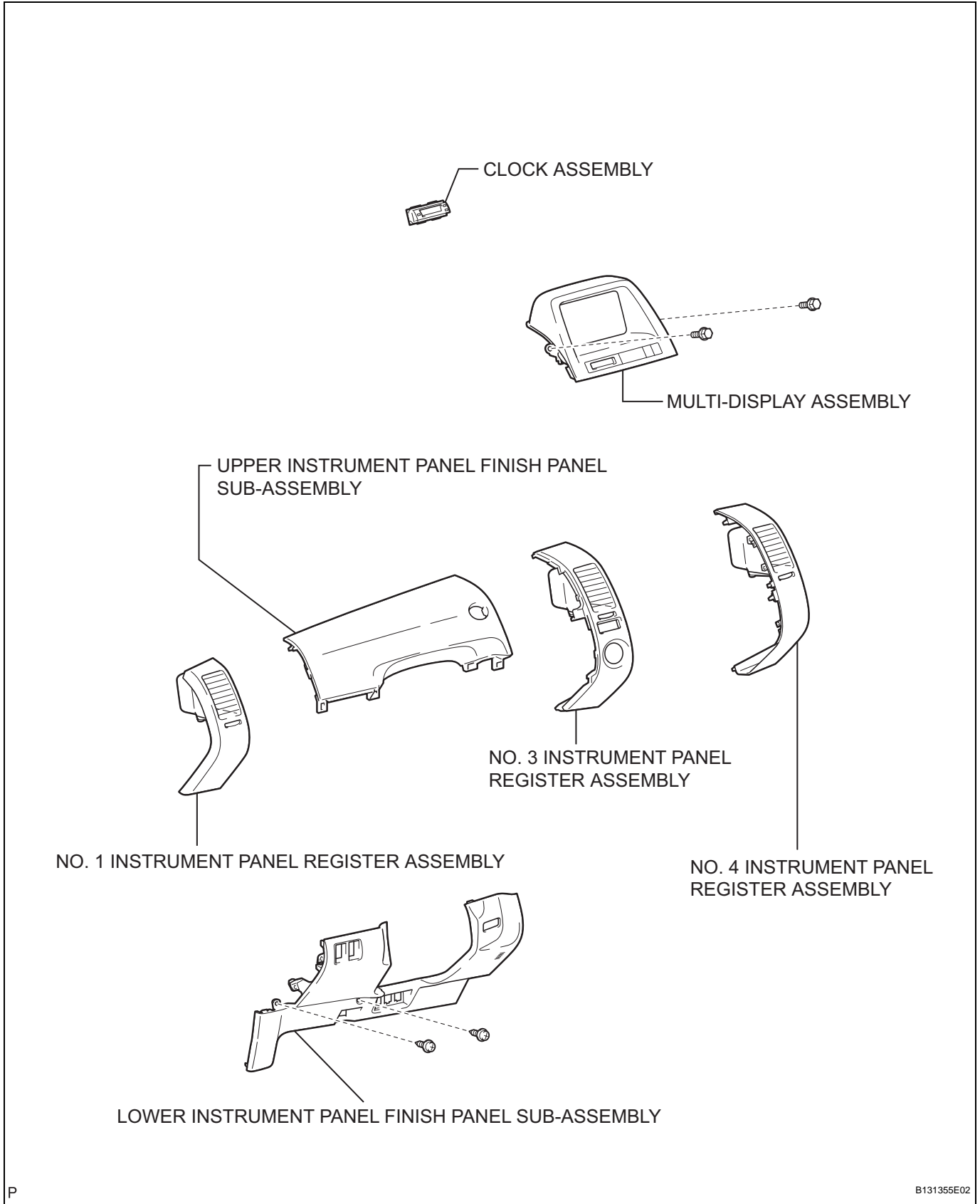
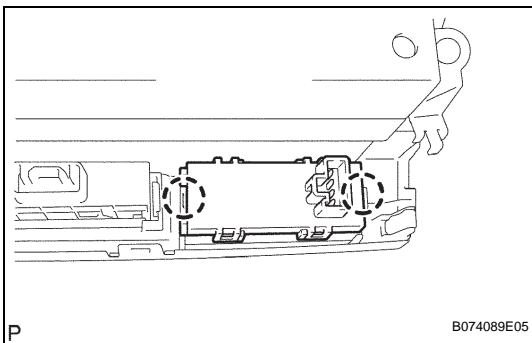
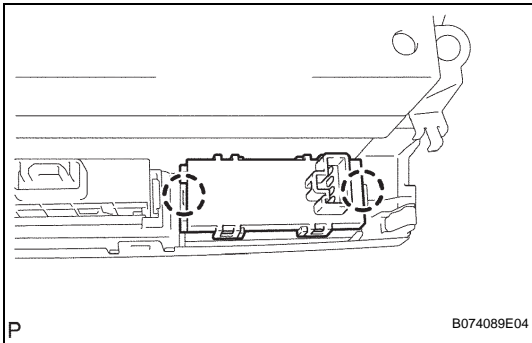


CLOCK COMPONENTS



REMOVAL

1. DISCONNECT CABLE FROM NEGATIVE BATTERY TERMINAL
CAUTION:
Wait at least 90 seconds after disconnecting the cable from the negative (-) battery terminal to prevent airbag and seat belt pretensioner activation.
2. REMOVE NO. 1 INSTRUMENT PANEL REGISTER ASSEMBLY (See page [IP-5](#))
3. REMOVE NO. 3 INSTRUMENT PANEL REGISTER ASSEMBLY (See page [IP-6](#))
4. REMOVE LOWER INSTRUMENT PANEL FINISH PANEL SUB-ASSEMBLY (See page [IP-6](#))
5. REMOVE UPPER INSTRUMENT PANEL FINISH PANEL SUB-ASSEMBLY (See page [IP-6](#))
6. REMOVE NO. 4 INSTRUMENT PANEL REGISTER ASSEMBLY (See page [IP-6](#))
7. REMOVE MULTI-DISPLAY ASSEMBLY
8. REMOVE CLOCK ASSEMBLY
 - (a) Detach the 2 claws and remove the clock.



INSTALLATION

1. INSTALL CLOCK ASSEMBLY
 - (a) Attach the 2 claws to install the clock.
2. INSTALL MULTI-DISPLAY ASSEMBLY
3. INSTALL NO. 4 INSTRUMENT PANEL REGISTER ASSEMBLY (See page [IP-12](#))
4. INSTALL UPPER INSTRUMENT PANEL FINISH PANEL SUB-ASSEMBLY (See page [IP-13](#))
5. INSTALL LOWER INSTRUMENT PANEL FINISH PANEL SUB-ASSEMBLY (See page [IP-13](#))
6. INSTALL NO. 3 INSTRUMENT PANEL REGISTER ASSEMBLY (See page [IP-13](#))
7. INSTALL NO. 1 INSTRUMENT PANEL REGISTER ASSEMBLY (See page [IP-13](#))
8. CONNECT CABLE TO NEGATIVE BATTERY TERMINAL

9. PERFORM INITIALIZATION

- (a) Perform initialization (see page [IN-32](#)).

NOTICE:

Certain systems need to be initialized after disconnecting and reconnecting the cable from the negative (-) battery terminal.

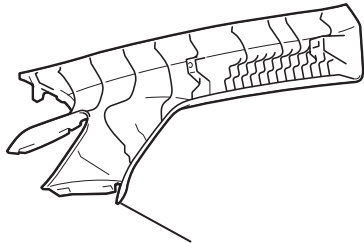
10. CHECK SRS WARNING LIGHT

- (a) Check the SRS warning light (see page [RS-31](#)).

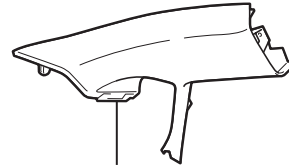
TELLTALE LIGHT

COMPONENTS

NO. 1 INSTRUMENT PANEL SPEAKER PANEL SUB-ASSEMBLY (w/ JBL Sound System)



FRONT PILLAR GARNISH LH



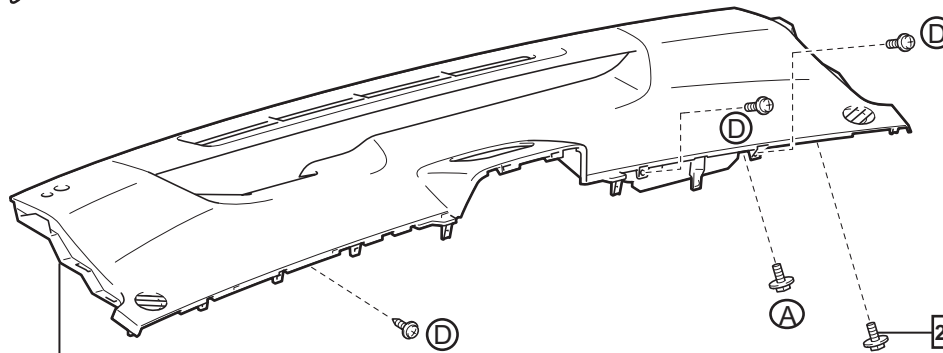
FRONT PILLAR GARNISH RH



FRONT PILLAR GARNISH CORNER PIECE RH



FRONT PILLAR GARNISH CORNER PIECE LH



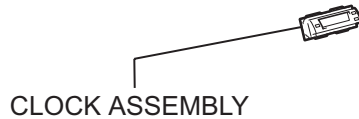
INSTRUMENT PANEL SUB-ASSEMBLY

20 (204, 15)

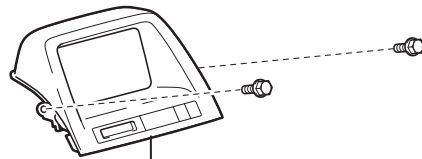
OT



INSTRUMENT CLUSTER FINISH PANEL END

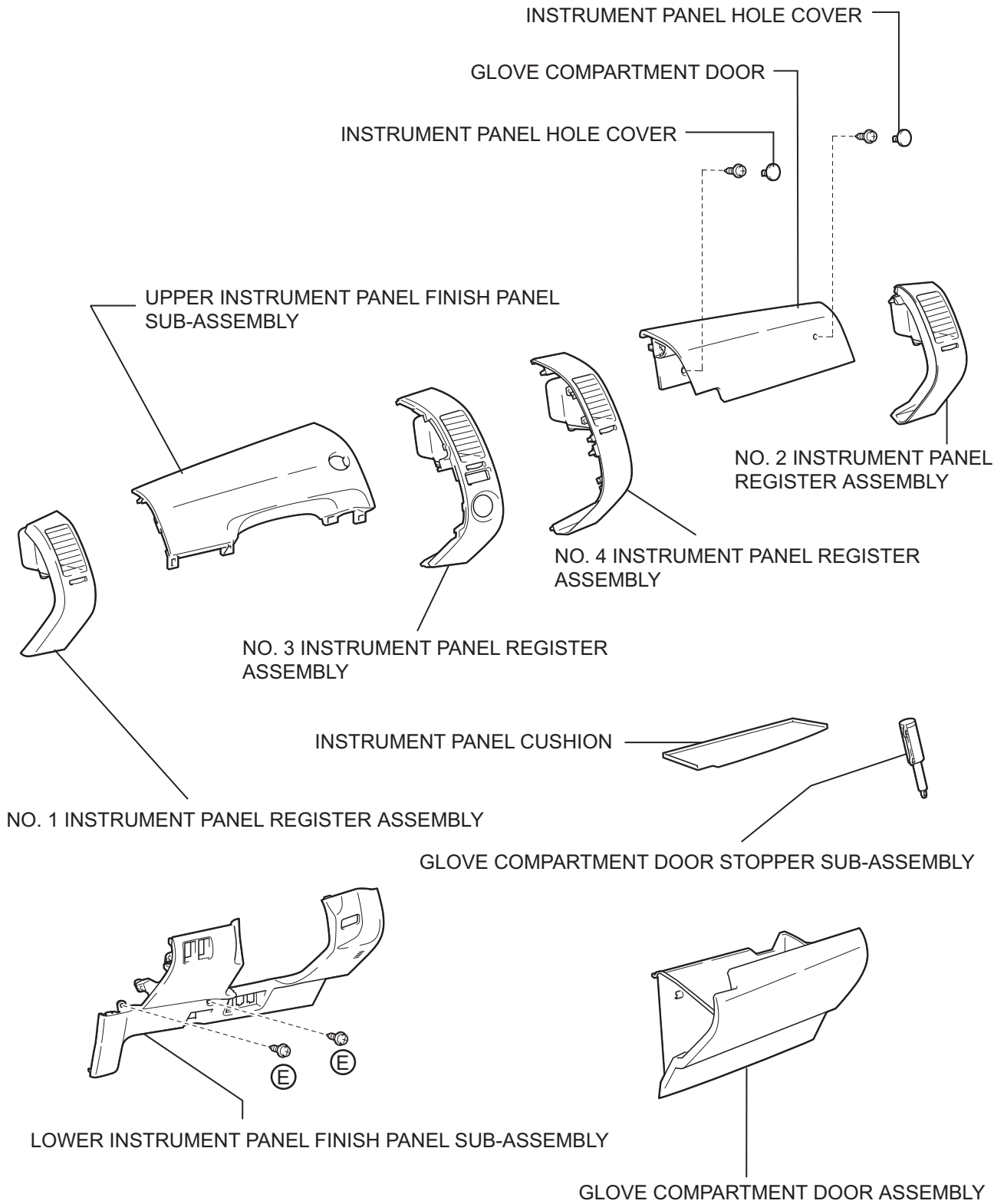


CLOCK ASSEMBLY

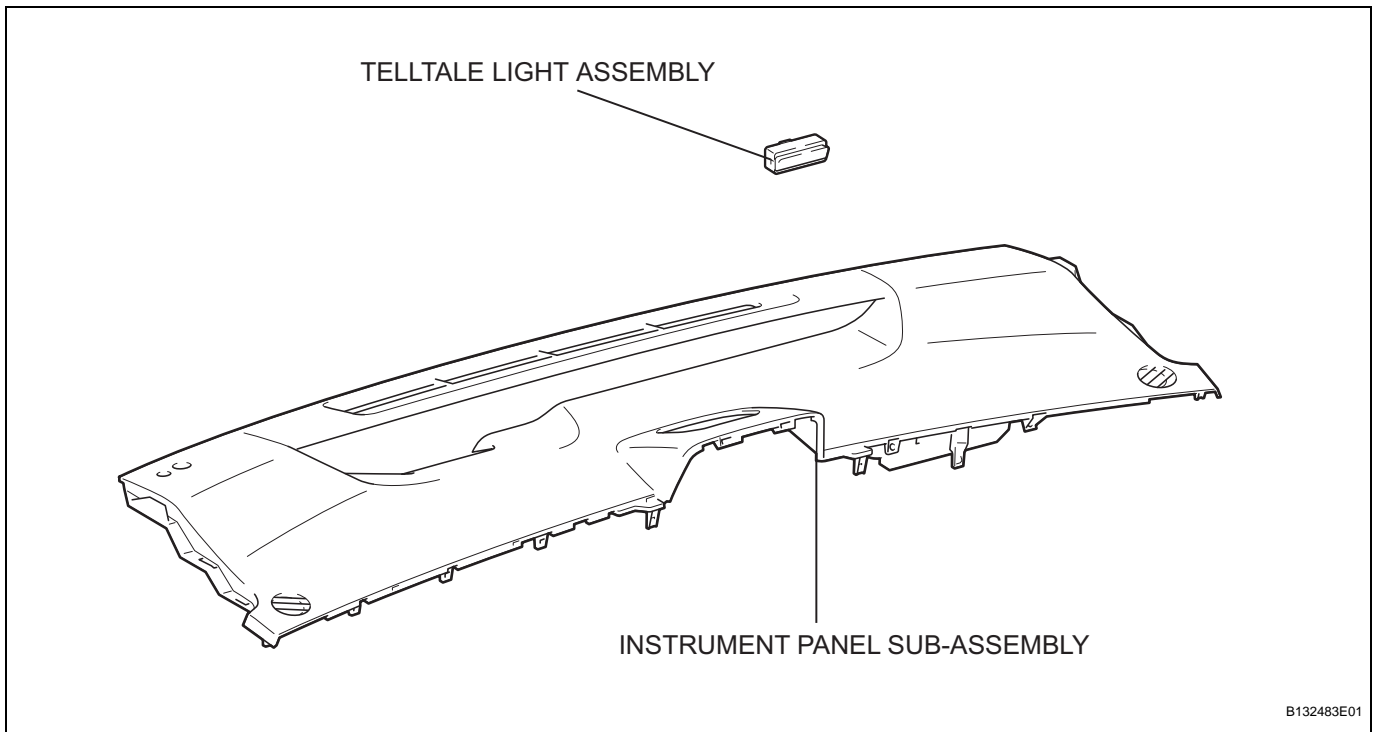


MULTI-DISPLAY ASSEMBLY

N*m (kgf*cm, ft.*lbf) : Specified torque



OT



REMOVAL

1. **DISCONNECT CABLE FROM NEGATIVE BATTERY TERMINAL**

CAUTION:

Wait at least 90 seconds after disconnecting the cable from the negative (-) battery terminal to prevent airbag and seat belt pretensioner activation.

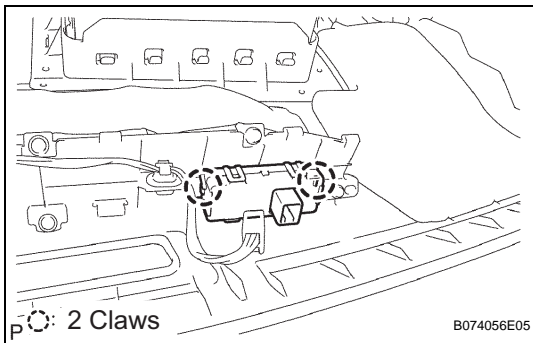
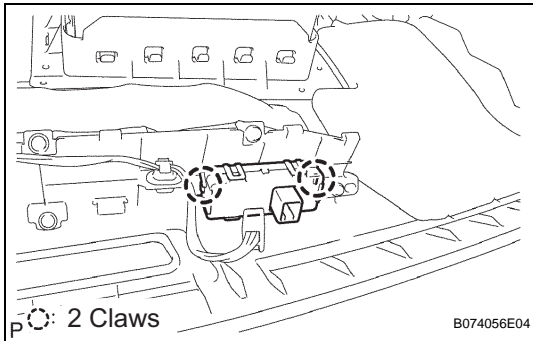
2. **REMOVE INSTRUMENT PANEL SUB-ASSEMBLY**

(a) Remove the instrument panel (see page [IP-5](#)).

3. **REMOVE TELLTALE LIGHT ASSEMBLY**

(a) Disconnect the connector.

(b) Detach the 2 claws and remove the telltale light.



INSTALLATION

1. **INSTALL TELLTALE LIGHT ASSEMBLY**

(a) Attach the 2 claws to install the telltale light.

(b) Connect the connector.

2. **INSTALL INSTRUMENT PANEL SUB-ASSEMBLY**

(a) Install the instrument panel (see page [IP-11](#)).

3. **CONNECT CABLE TO NEGATIVE BATTERY TERMINAL**

4. **PERFORM INITIALIZATION**

(a) Perform initialization (see page [IN-32](#)).

NOTICE:

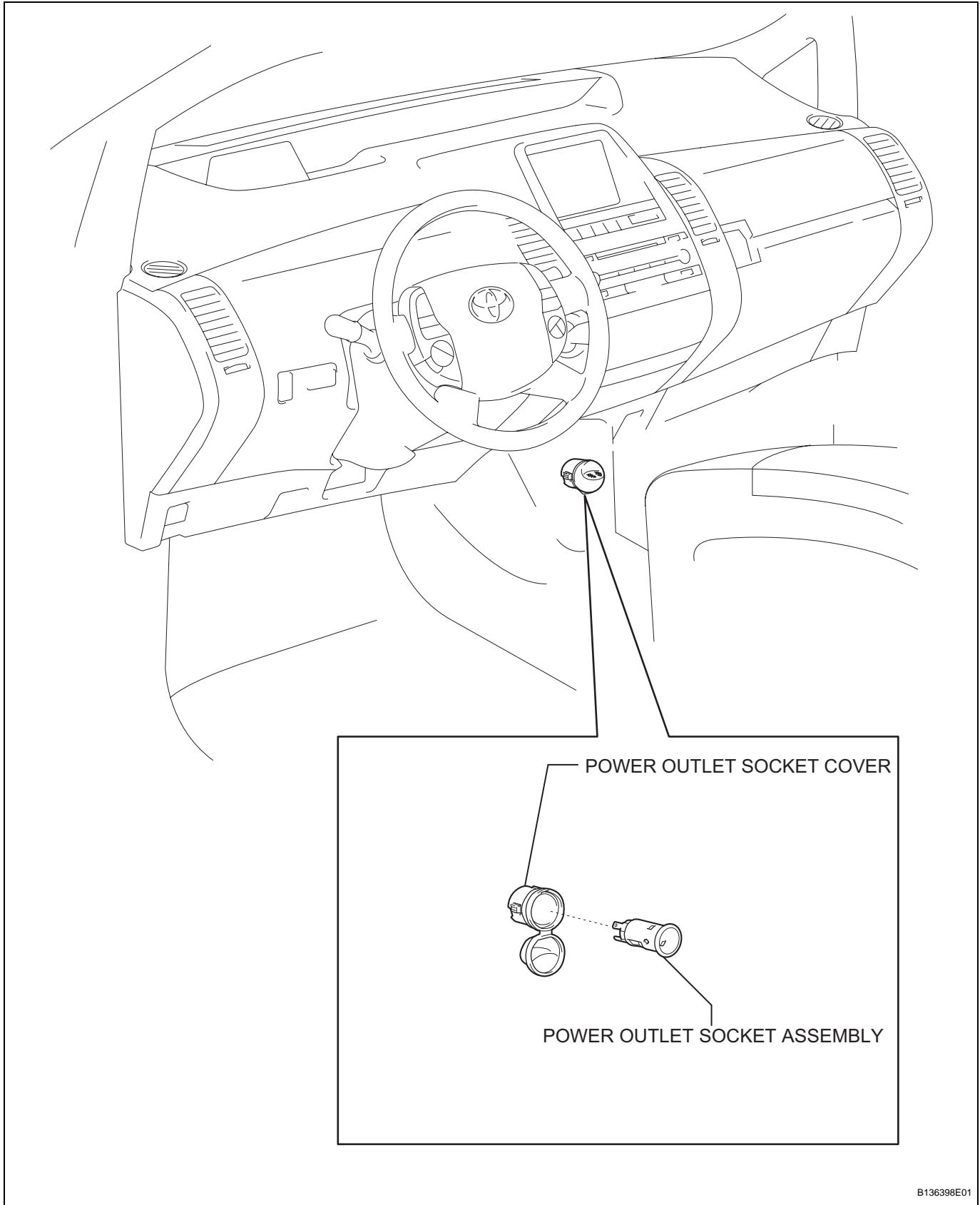
Certain systems need to be initialized after disconnecting and reconnecting the cable from the negative (-) battery terminal.

5. **CHECK SRS WARNING LIGHT**

(a) Check the SRS warning light (see page [RS-31](#)).

POWER OUTLET SOCKET

COMPONENTS



OT

REMOVAL

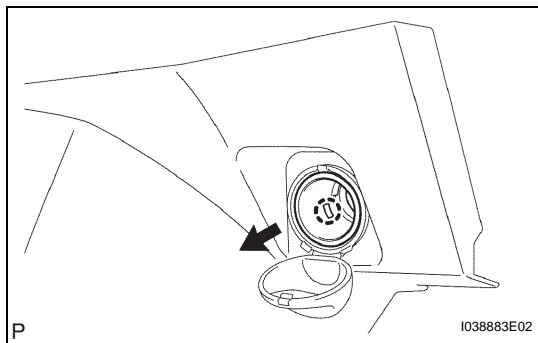
1. **DISCONNECT CABLE FROM NEGATIVE BATTERY TERMINAL**

CAUTION:

Wait at least 90 seconds after disconnecting the cable from the negative (-) battery terminal to prevent airbag and seat belt pretensioner activation.

2. **REMOVE POWER OUTLET SOCKET ASSEMBLY**

(a) Detach the claw to remove the power outlet socket.



INSTALLATION

1. INSTALL POWER OUTLET SOCKET ASSEMBLY

- (a) Align the power outlet socket and power outlet socket cover. Insert them from the front side into the vehicle body and install the power outlet socket.

2. CONNECT CABLE TO NEGATIVE BATTERY TERMINAL

3. PERFORM INITIALIZATION

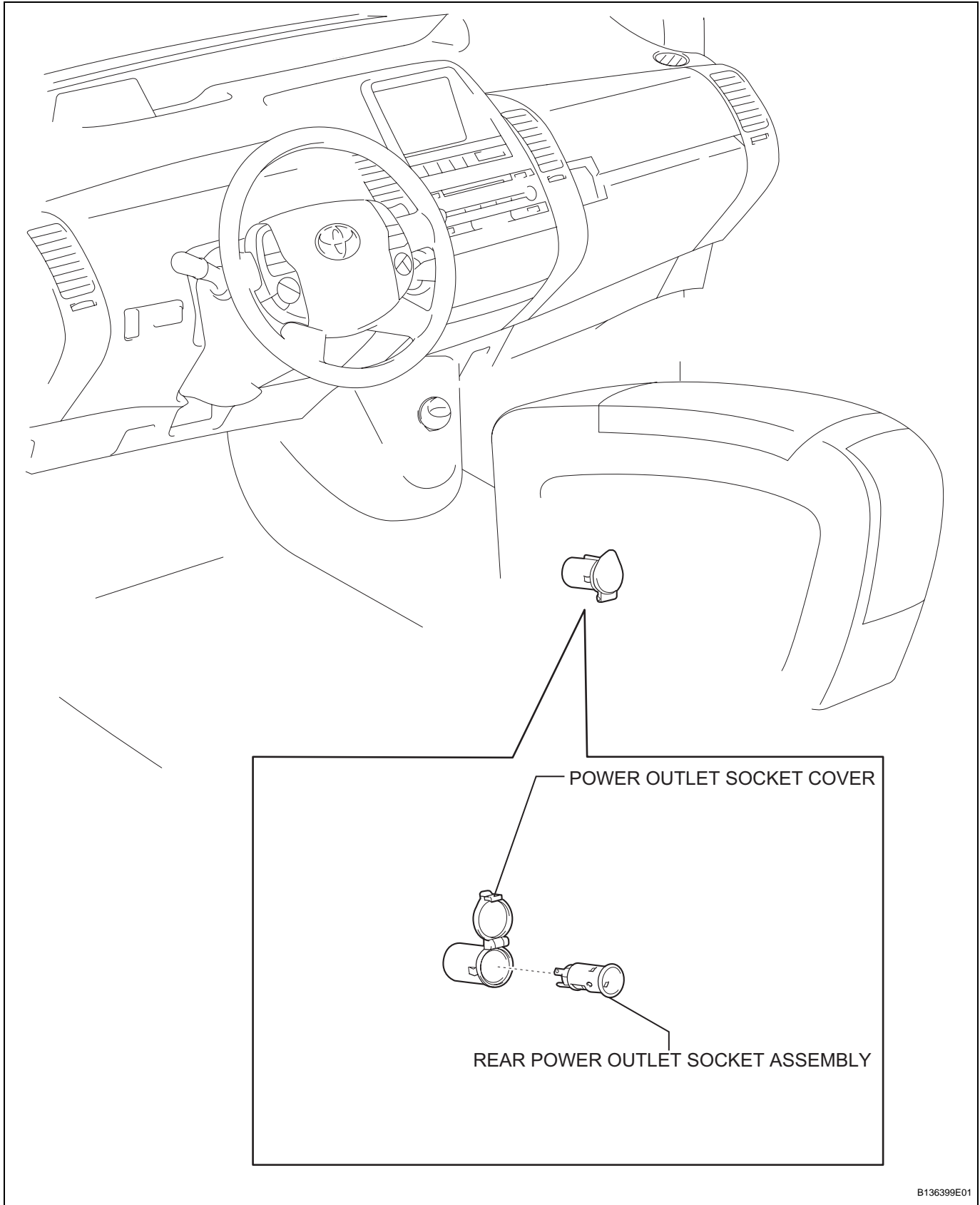
- (a) Perform initialization (see page [IN-32](#)).

NOTICE:

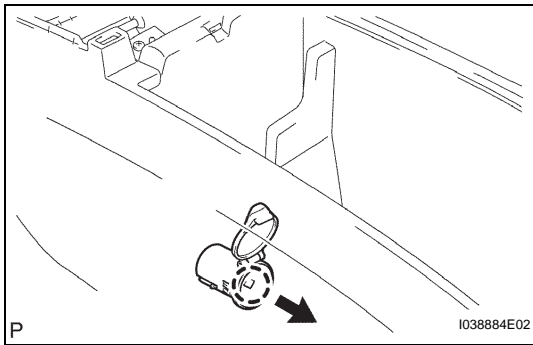
Certain systems need to be initialized after disconnecting and reconnecting the cable from the negative (-) battery terminal.

REAR POWER OUTLET SOCKET

COMPONENTS



OT



REMOVAL

1. REMOVE REAR POWER OUTLET SOCKET ASSEMBLY

- (a) Detach the claw to remove the rear power outlet socket.

INSTALLATION

1. INSTALL REAR POWER OUTLET SOCKET ASSEMBLY

- (a) Align the rear power outlet socket assembly and power outlet socket cover. Insert them from the front side into the vehicle body and install the rear power outlet socket assembly.

2. CONNECT CABLE TO NEGATIVE BATTERY TERMINAL

3. PERFORM INITIALIZATION

- (a) Perform initialization (see page [IN-32](#)).

NOTICE:

Certain systems need to be initialized after disconnecting and reconnecting the cable from the negative (-) battery terminal.