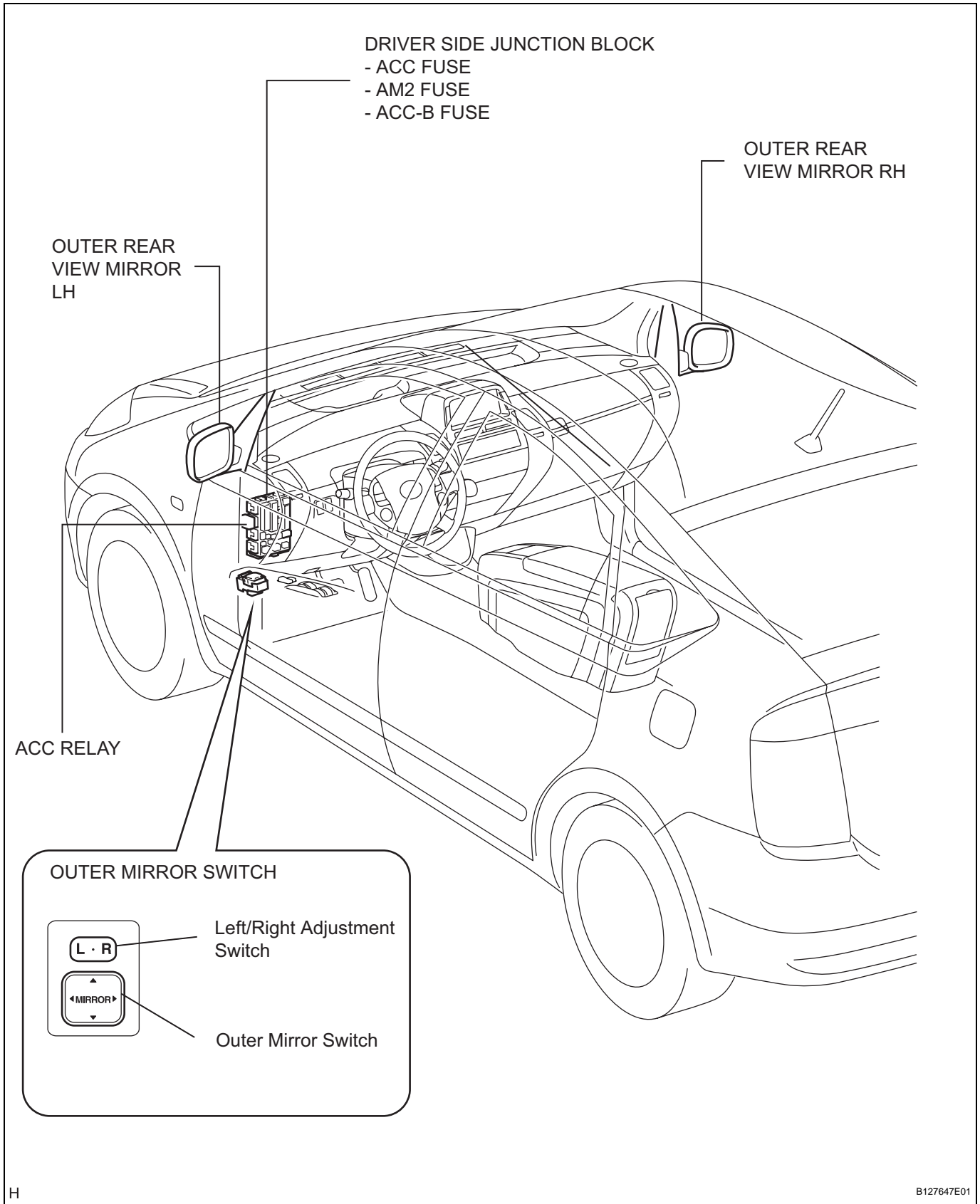
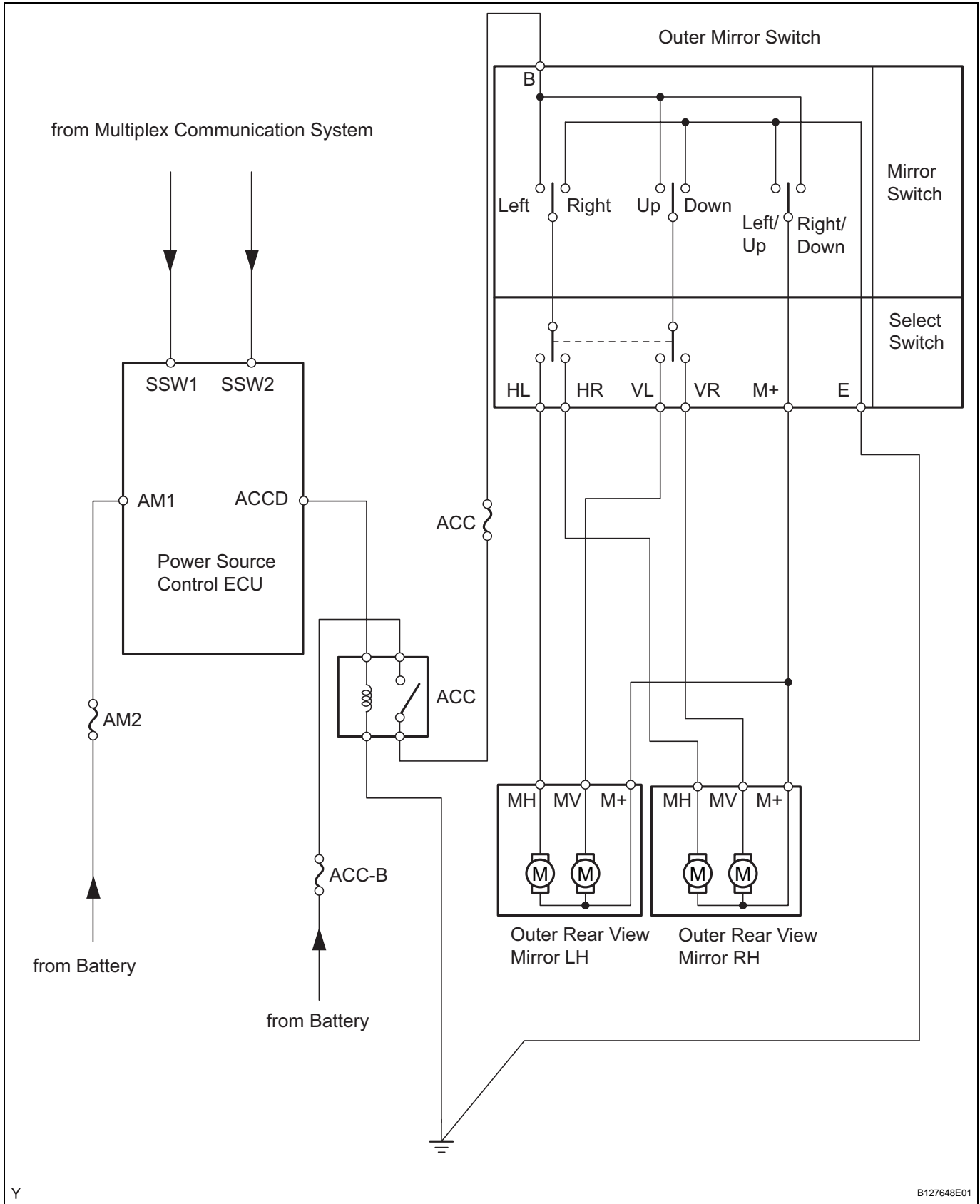


# POWER MIRROR CONTROL SYSTEM

## PARTS LOCATION



# SYSTEM DIAGRAM



MI

## PROBLEM SYMPTOMS TABLE

### HINT:

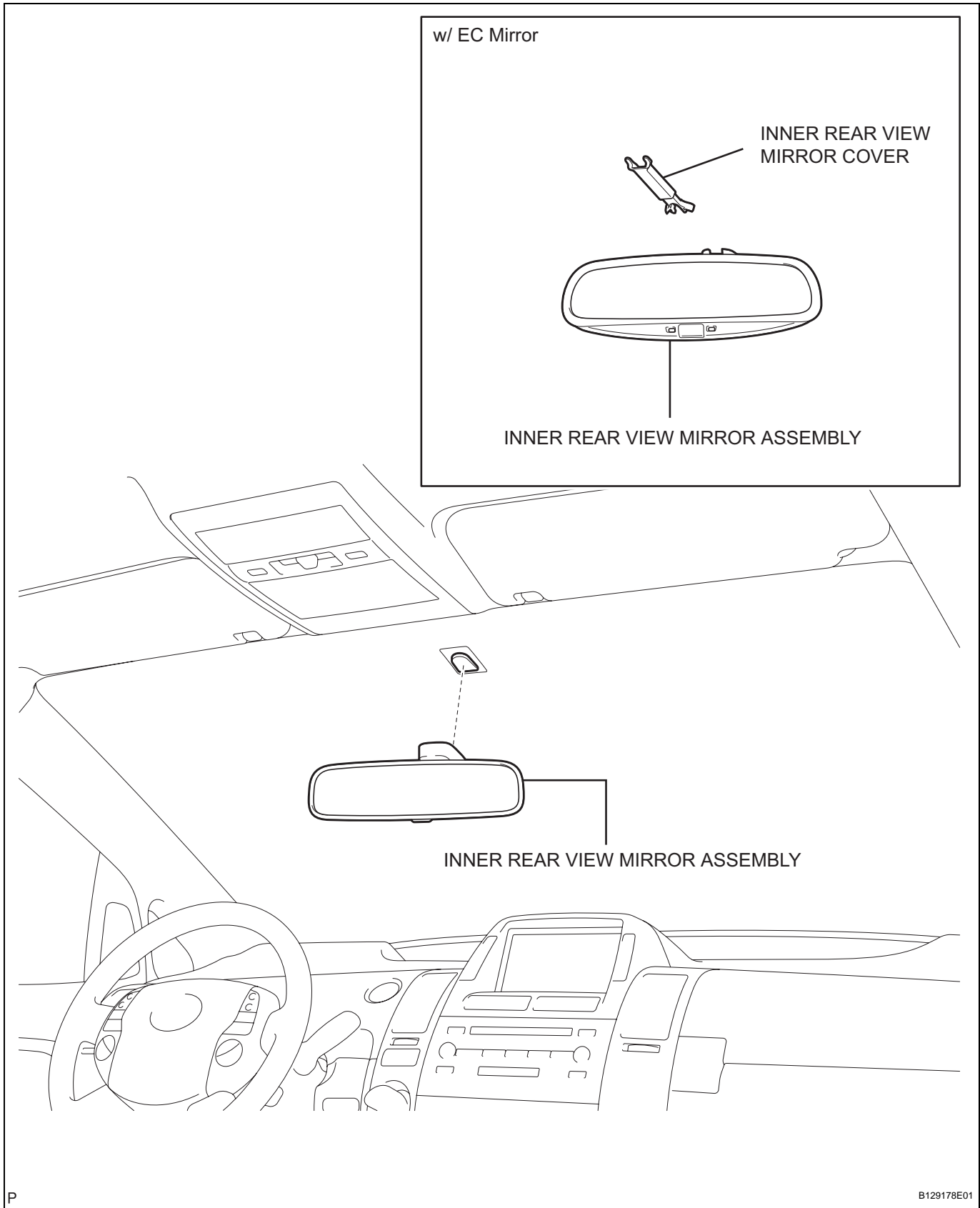
Use the table below to help determine the cause of the problem symptom. The potential causes of the symptoms are listed in order of probability in the "Suspected area" column of the table. Check each symptom by checking the suspected areas in the order they are listed. Replace parts as necessary.

### Power mirror control system

Symptom	Suspected area	See page
Mirror does not operate	1. ACC fuse	<a href="#">MI-1</a>
	2. AM2 fuse	<a href="#">MI-1</a>
	3. ACC-B fuse	<a href="#">MI-1</a>
	4. ACC relay	<a href="#">MI-1</a>
	5. Outer mirror switch assembly	<a href="#">MI-14</a>
	6. Outer rear view mirror assembly	<a href="#">MI-10</a>
	7. Wire harness	-
Mirror operates abnormally	1. ACC fuse	<a href="#">MI-1</a>
	2. AM2 fuse	<a href="#">MI-1</a>
	3. ACC-B fuse	<a href="#">MI-1</a>
	4. ACC relay	<a href="#">MI-1</a>
	5. Outer mirror switch assembly	<a href="#">MI-14</a>
	6. Outer rear view mirror assembly	<a href="#">MI-10</a>
	7. Wire harness	-

# INNER REAR VIEW MIRROR

## COMPONENTS



MI

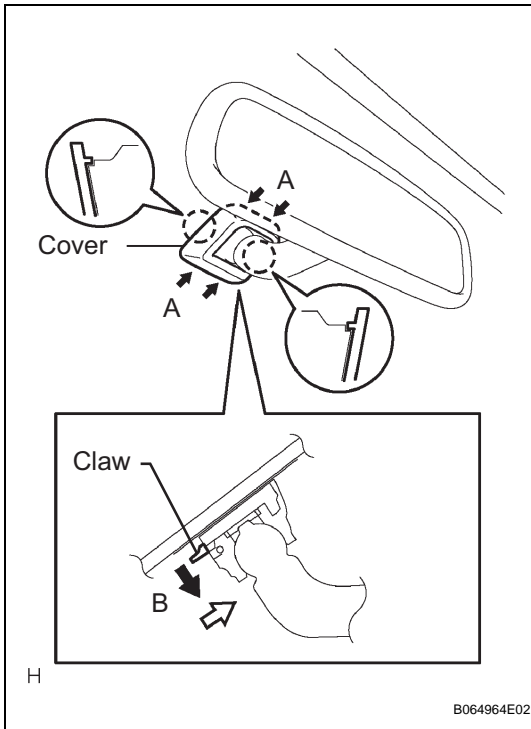
## REMOVAL

### HINT:

EC mirror stands for "electrochromic mirror".

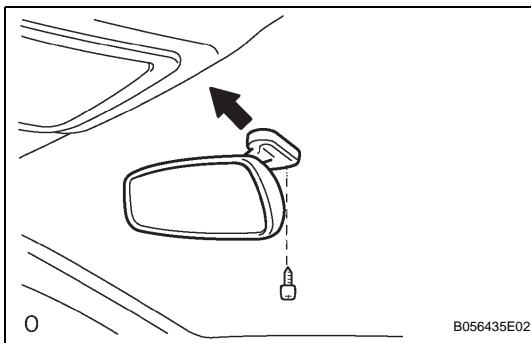
#### 1. REMOVE INNER REAR VIEW MIRROR ASSEMBLY (w/o EC Mirror)

- (a) Push the cover in the direction indicated by the arrows labeled A and remove it.
- (b) While holding down the claw in the direction indicated by the black arrow labeled B, slide the mirror in the direction indicated by the white arrow and remove it.



#### 2. REMOVE INNER REAR VIEW MIRROR ASSEMBLY (w/ EC Mirror)

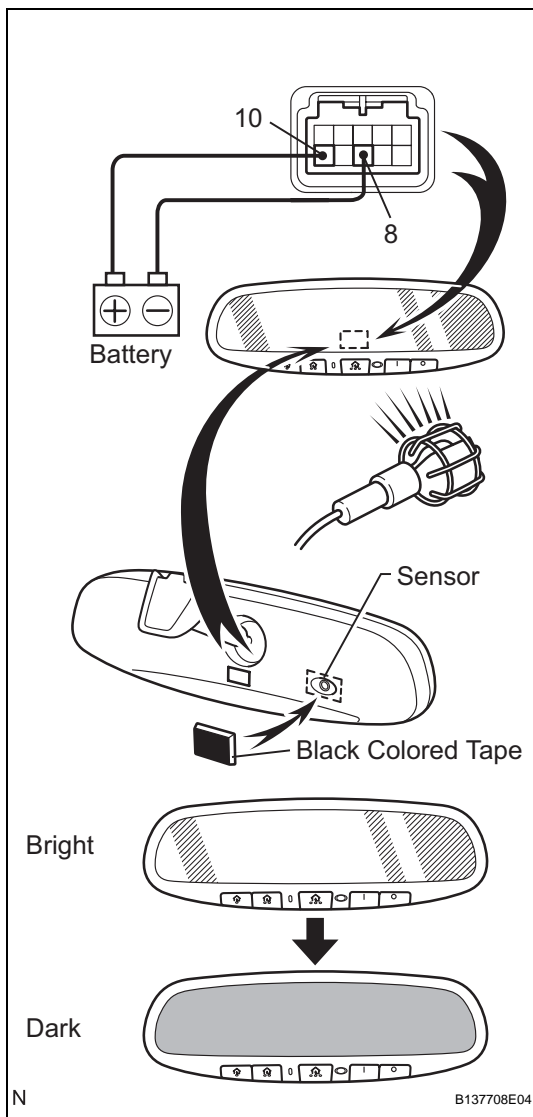
- (a) Remove the inner rear view mirror cover.
- (b) Remove the screw.
- (c) Slide the mirror in the direction indicated by the arrow in the illustration and remove the mirror.



## INSPECTION

### 1. INSPECT INNER REAR VIEW MIRROR ASSEMBLY (w/ EC Mirror)

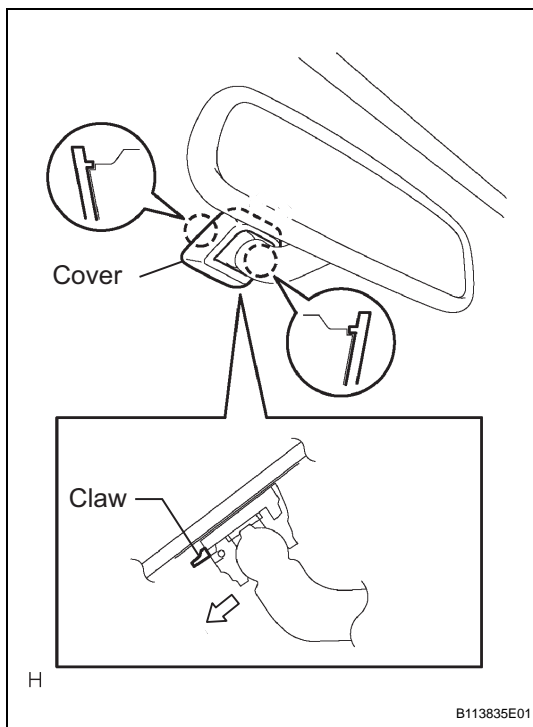
- (a) Check operation of the electrochromic inner mirror.
- (1) Connect the battery's positive (+) lead to terminal 10 and the negative (-) lead to terminal 8.
  - (2) Attach black colored tape to the forward sensor to block it.
  - (3) Light up the mirror with an electric light, and check that the mirror surface changes from bright to dark.
- If the result is not as specified, replace the mirror assembly.

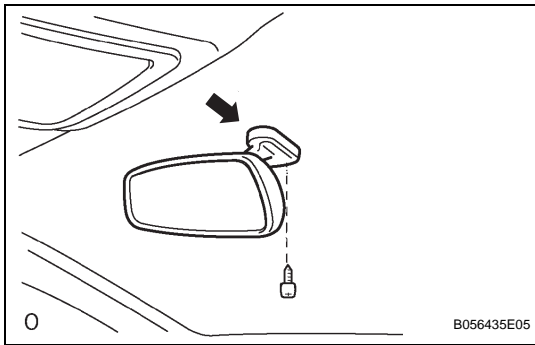


## INSTALLATION

### 1. INSTALL INNER REAR VIEW MIRROR ASSEMBLY (w/o EC Mirror)

- (a) Install the mirror in the direction of the white arrow.
- (b) Install the cover as shown in the illustration.



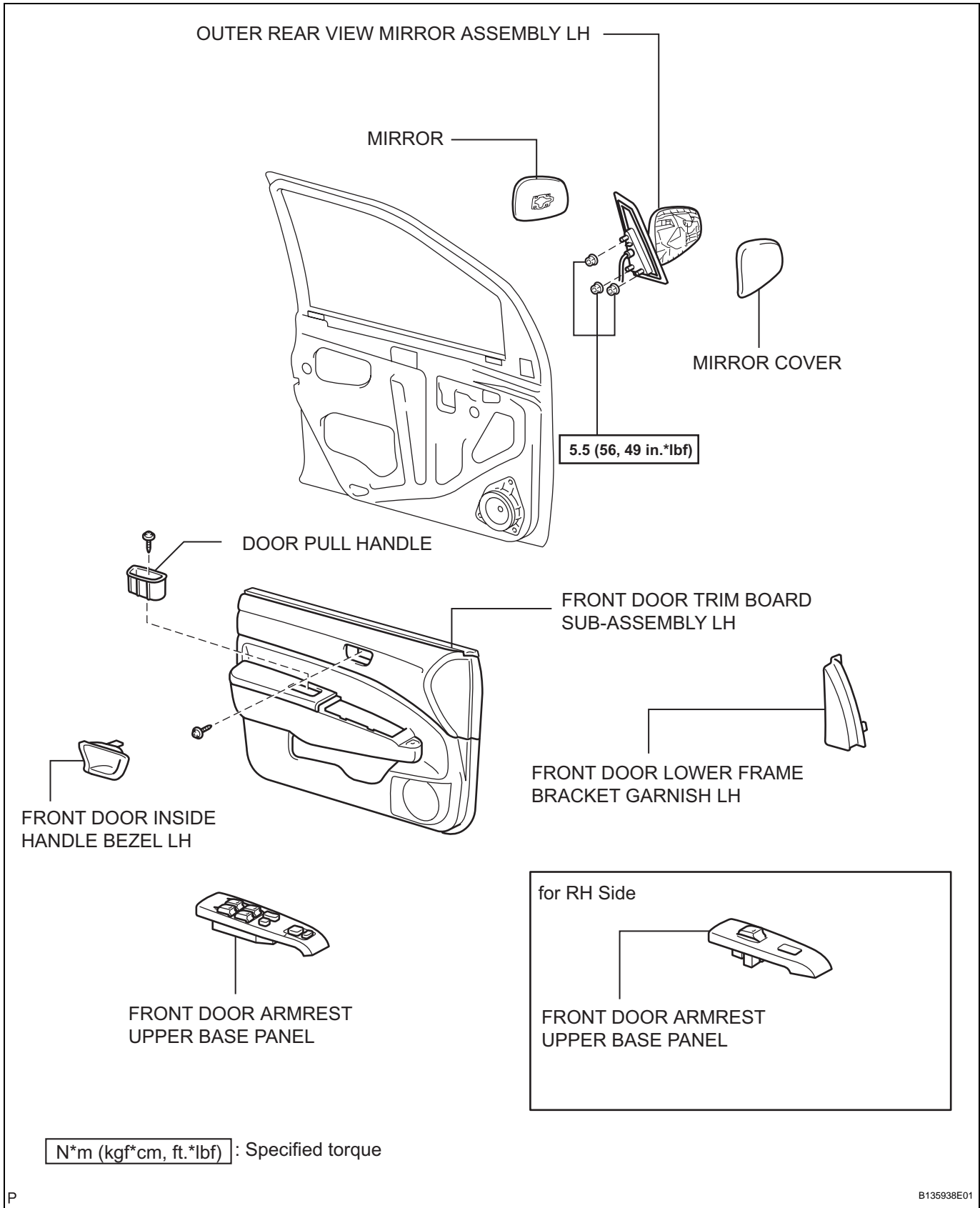


## 2. INSTALL INNER REAR VIEW MIRROR ASSEMBLY (w/ EC Mirror)

- (a) Install the mirror.
- (b) Install the screw.
- (c) Install the inner rear view mirror cover.

# OUTER REAR VIEW MIRROR

## COMPONENTS



**N\*m (kgf\*cm, ft.\*lbf)** : Specified torque



## REMOVAL

### HINT:

- Use the same procedures for the LH side and RH side.
- The procedures listed below are for the LH side.

### 1. DISCONNECT CABLE FROM NEGATIVE BATTERY TERMINAL

#### CAUTION:

Wait at least 90 seconds after disconnecting the cable from the negative (-) battery terminal to prevent airbag and seat belt pretensioner activation.

### 2. REMOVE FRONT DOOR INSIDE HANDLE BEZEL LH (See page ED-11)

### 3. REMOVE FRONT DOOR LOWER FRAME BRACKET GARNISH LH (See page ED-11)

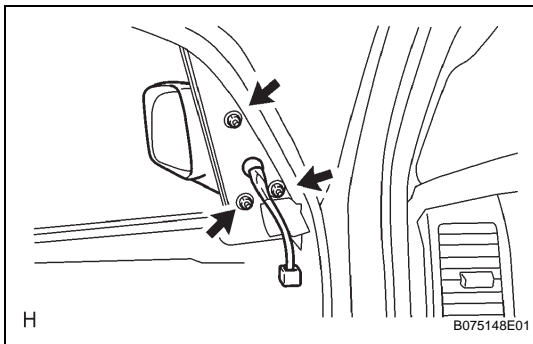
### 4. REMOVE DOOR PULL HANDLE (See page ED-11)

### 5. REMOVE FRONT DOOR ARMREST BASE PANEL UPPER (See page ED-11)

### 6. REMOVE FRONT DOOR TRIM BOARD SUB-ASSEMBLY LH (See page ED-12)

### 7. REMOVE OUTER REAR VIEW MIRROR ASSEMBLY LH

- Disconnect the mirror connector.
- Remove the 3 nuts and mirror.

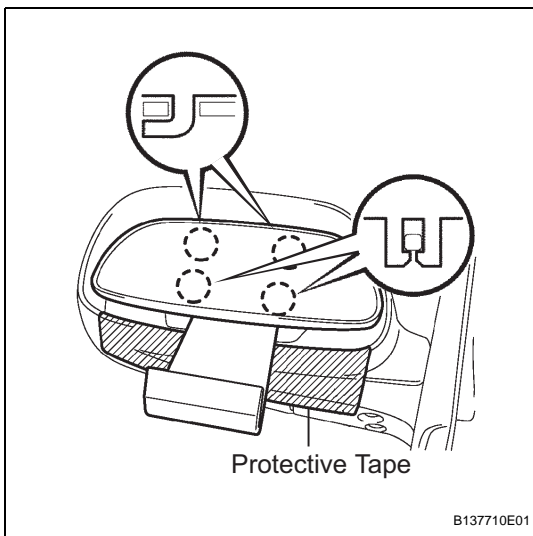


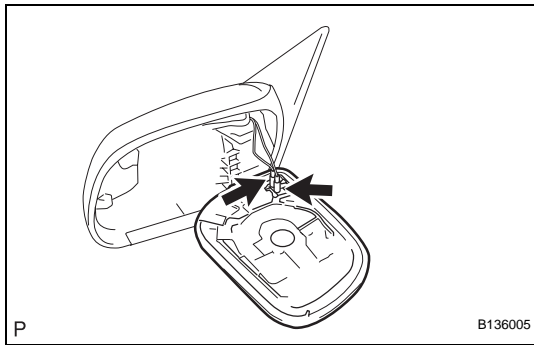
### 8. REMOVE OUTER REAR VIEW MIRROR ASSEMBLY LH

- Using a moulding remover, detach the 4 claws and outer rear view mirror.

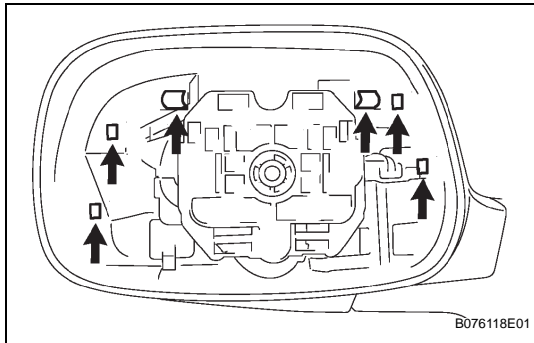
#### HINT:

Apply protective tape to the mirror body.





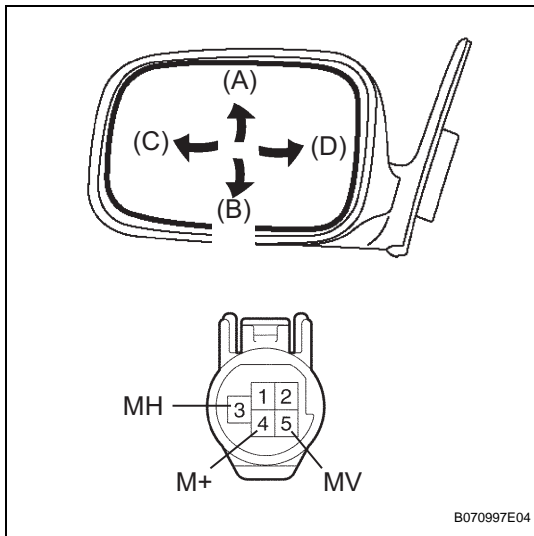
(b) Disconnect the 2 connectors and remove the mirror.



(c) Using a screwdriver, detach the 6 claws and remove the mirror cover.

HINT:

Tape the screwdriver tip before use.



## INSPECTION

### 1. INSPECT OUTER REAR VIEW MIRROR ASSEMBLY LH

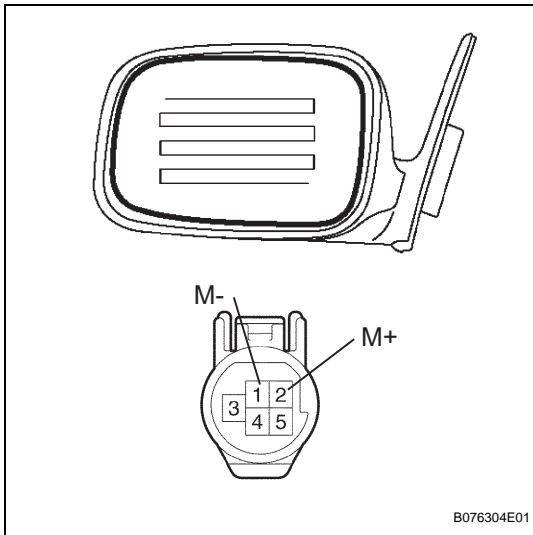
(a) Disconnect the mirror connector.

(b) Apply battery voltage and check the operation of the mirror.

OK

Measurement Condition	Specified Condition
Battery positive (+) → Terminal 5 (MV) Battery negative (-) → Terminal 4 (M+)	Turns upward (A)
Battery positive (+) → Terminal 4 (M+) Battery negative (-) → Terminal 5 (MV)	Turns downward (B)
Battery positive (+) → Terminal 3 (MH) Battery negative (-) → Terminal 4 (M+)	Turns left (C)
Battery positive (+) → Terminal 4 (M+) Battery negative (-) → Terminal 3 (MH)	Turns right (D)

If the result is not as specified, replace the mirror assembly.

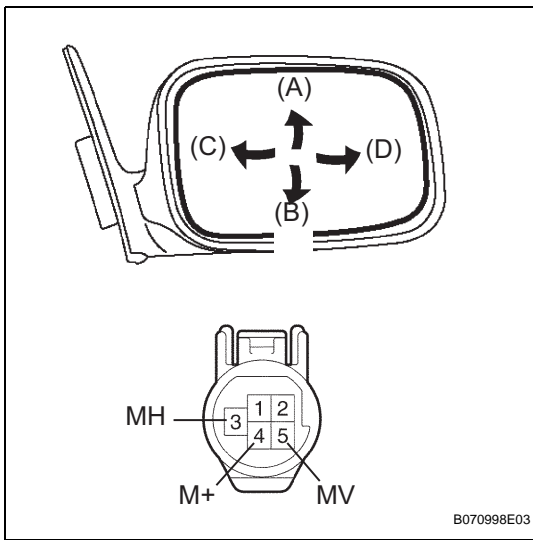


- (c) Apply battery voltage to the mirror terminals and check the operation of the mirror heater.

OK

Measurement Condition	Specified Condition
Battery positive (+) → Terminal 2 (M+)	Mirror becomes warm
Battery negative (-) → Terminal 1 (M-)	

If the result is not as specified, replace the mirror assembly.



**2. INSPECT OUTER REAR VIEW MIRROR ASSEMBLY RH**

- (a) Disconnect the mirror connector.  
 (b) Apply battery voltage and check the operation of the mirror.

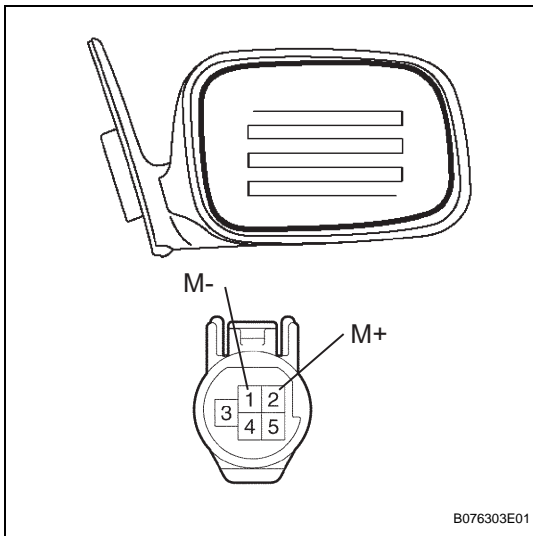
OK

Measurement Condition	Specified Condition
Battery positive (+) → Terminal 5 (MV)	Turns upward (A)
Battery negative (-) → Terminal 4 (M+)	
Battery positive (+) → Terminal 4 (M+)	Turns downward (B)
Battery negative (-) → Terminal 5 (MV)	
Battery positive (+) → Terminal 3 (MH)	Turns left (C)
Battery negative (-) → Terminal 4 (M+)	
Battery positive (+) → Terminal 4 (M+)	Turns right (D)
Battery negative (-) → Terminal 3 (MH)	

If the result is not as specified, replace the mirror assembly.

- (c) Apply battery voltage to the mirror terminals and check the operation of the mirror heater.

OK



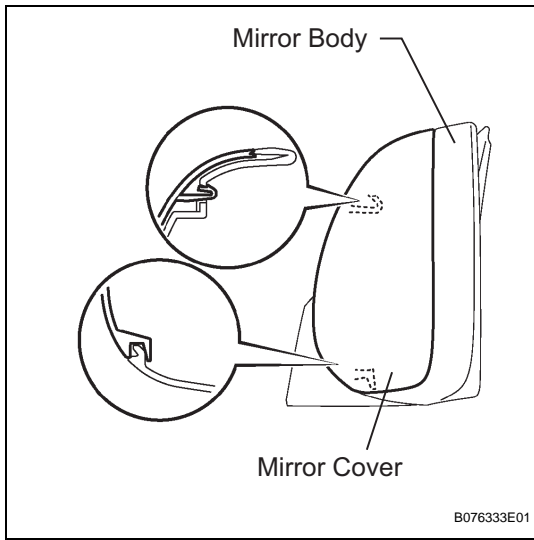
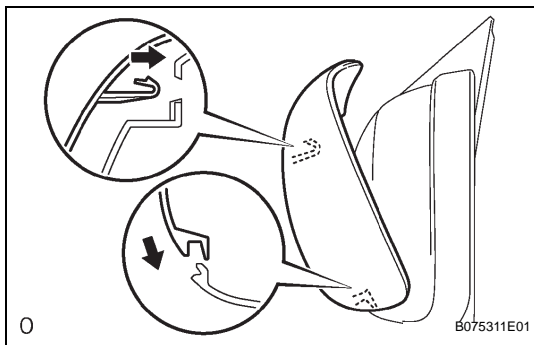
Measurement Condition	Specified Condition
Battery positive (+) → Terminal 2 (M+)	Mirror becomes warm
Battery negative (-) → Terminal 1 (M-)	

If the result is not as specified, replace the mirror assembly.

## INSTALLATION

### 1. INSTALL OUTER MIRROR COVER LH

(a) Install the mirror cover as shown in the illustration.

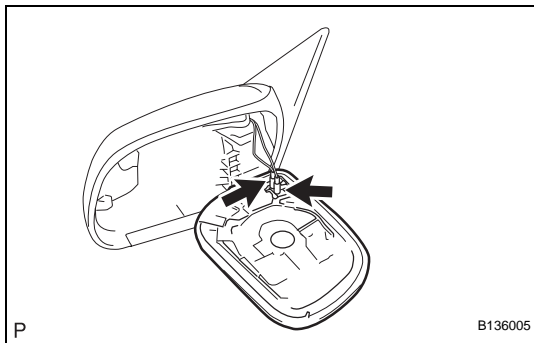


(b) Check that there is no gap between the cover and mirror body.

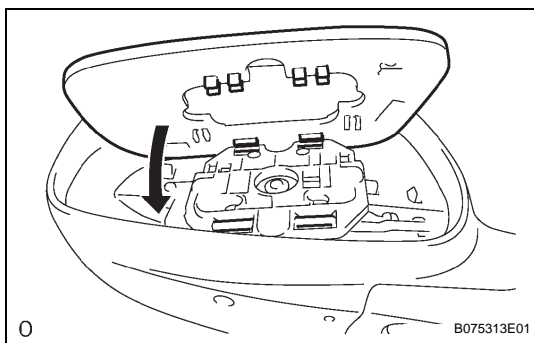
**HINT:**

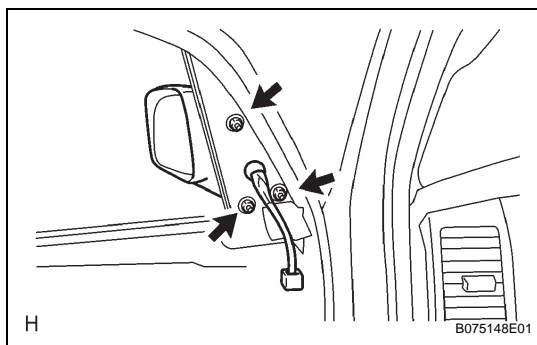
If there is a gap between the cover and body, noise will occur during driving.

(c) Connect the 2 connectors.

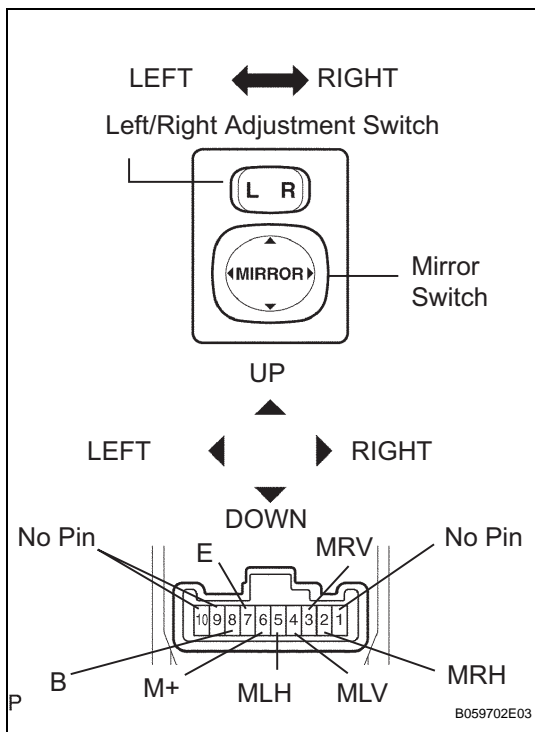


(d) Attach the 4 claws to install the mirror.





2. **INSTALL OUTER REAR VIEW MIRROR ASSEMBLY LH**
  - (a) Install the mirror with the 3 nuts.  
**Torque: 5.5 N\*m (56 kgf\*cm, 49 in.\*lbf)**
  - (b) Connect the connector.
3. **INSTALL FRONT DOOR TRIM BOARD SUB-ASSEMBLY LH (See page ED-21)**
4. **INSTALL FRONT DOOR ARMREST BASE PANEL UPPER LH (See page ED-21)**
5. **INSTALL DOOR PULL HANDLE (See page ED-22)**
6. **INSTALL FRONT DOOR LOWER FRAME BRACKET GARNISH LH (See page ED-22)**
7. **INSTALL FRONT DOOR INSIDE HANDLE BEZEL LH (See page ED-22)**
8. **PERFORM INITIALIZATION**
  - (a) Perform initialization (see page SS-2).  
**NOTICE:**  
Certain systems need to be initialized after disconnecting and reconnecting the cable from the negative (-) battery terminal.



## OUTER MIRROR SWITCH

### INSPECTION

#### 1. INSPECT OUTER MIRROR SWITCH ASSEMBLY

- (a) The L position of the left/right adjustment switch:  
Measure the resistance of the mirror switch.

#### Standard resistance (for left side)

Tester Connection	Switch Condition	Specified Condition
4 (MLV) - 8 (B) 6 (M+) - 7 (E)	UP	Below 1 $\Omega$
4 (MLV) - 7 (E) 6 (M+) - 8 (B)	DOWN	Below 1 $\Omega$
5 (MLH) - 8 (B) 6 (M+) - 7 (E)	LEFT	Below 1 $\Omega$
5 (MLH) - 7 (E) 6 (M+) - 8 (B)	RIGHT	Below 1 $\Omega$

If the result is not as specified, replace the switch assembly.

- (b) The R position of the left/right adjustment switch:  
Measure the resistance of the mirror switch.

#### Standard resistance (for right side)

Tester Connection	Switch Condition	Specified Condition
3 (MRV) - 8 (B) 6 (M+) - 7 (E)	UP	Below 1 $\Omega$
3 (MRV) - 7 (E) 6 (M+) - 8 (B)	DOWN	Below 1 $\Omega$
2 (MRH) - 8 (B) 6 (M+) - 7 (E)	LEFT	Below 1 $\Omega$
2 (MRH) - 7 (E) 6 (M+) - 8 (B)	RIGHT	Below 1 $\Omega$

If the result is not as specified, replace the switch assembly.

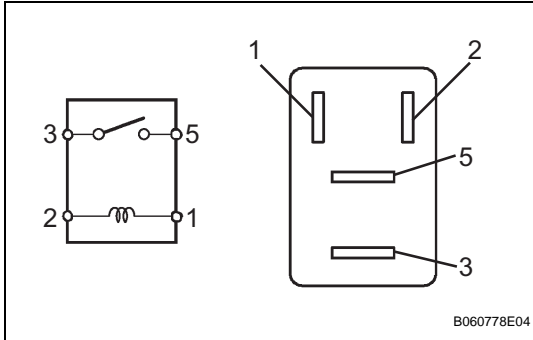
# MIRROR HEATER RELAY

## ON-VEHICLE INSPECTION

### 1. INSPECT MIRROR HEATER RELAY

- (a) Remove the mirror heater relay.
- (b) Measure the resistance of the relay.

#### Standard resistance



Tester Connection	Specified Condition
3 - 5	10 k $\Omega$ or higher
	Below 1 $\Omega$ (when battery voltage is applied to terminals 1 and 2)

- If the result is not as specified, replace the relay.
- (c) Install the mirror heater relay.