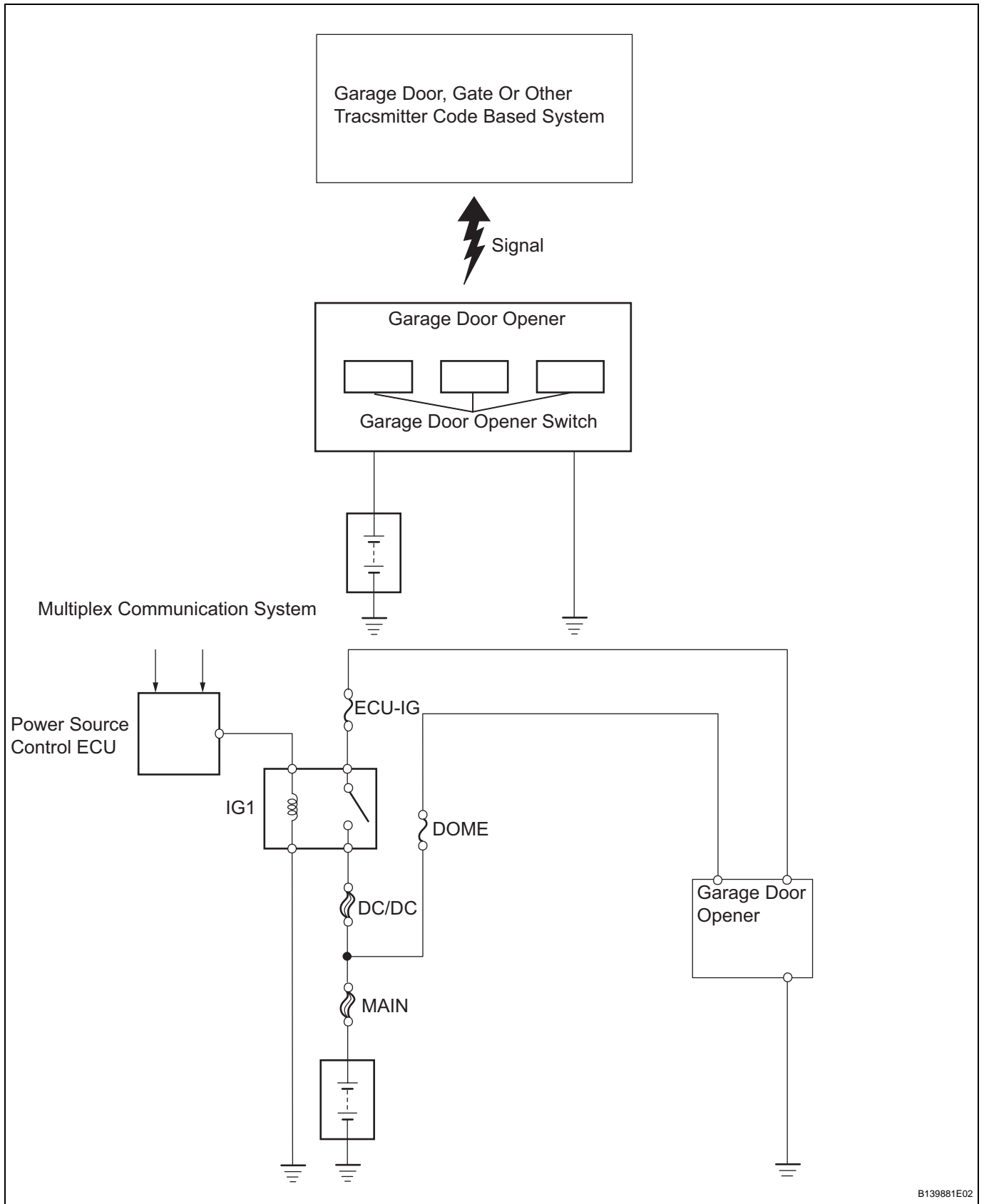


GARAGE DOOR OPENER SYSTEM SYSTEM DIAGRAM



SYSTEM DESCRIPTION

A maximum of 3 kinds of transmitter code based systems (for example garage doors, gates and entry gates) can be registered with the vehicle's garage door opener. After registration, the vehicle's garage door opener can mimic the signal of the transmitter systems and the original transmitters of each transmitter system are not needed.

REGISTRATION

1. REGISTER TRANSMITTER CODE

HINT:

- The vehicle's garage door opener records transmitter codes for systems such as garage doors, gates, entry gates, door locks, home lighting systems, security systems or other transmitter code based systems.
 - The garage door opener is built into the No. 1 dome light. If replacing the No. 1 dome light, transmitter codes for any systems previously registered in the garage door opener must be reregistered.
- (a) Register a system transmitter code in the garage door opener system.

NOTICE:

- **Do not perform transmitter code registration for a system if people or objects are near the system. When registering transmitter codes for a system, injury or damage can occur because the system may open, close, unlock or otherwise operate.**
- **Before transmitter code registration, turn the power switch OFF and remove the key from the key slot.**
- **The garage door opener cannot be used with systems that: 1) were manufactured before April 1, 1982; or 2) do not meet Federal Safety Standards (for example, garage doors without a jam protection function).**

HINT:

- 3 transmitter codes can be registered with the garage door opener, one transmitter code for each of the 3 garage door opener switches.
 - Disconnecting the battery will not erase the transmitter codes registered with the garage door opener.
 - An attempt to overwrite a previously registered transmitter code with a new system's transmitter code may fail. In these situations, the previously registered transmitter code will not be erased.
- (1) Select a garage door opener switch for transmitter code registration.
- (2) Press and hold the selected switch for 20 seconds. The garage door opener will enter registration mode.

HINT:

Before entering registration mode, the LED is ON. After entering registration mode, the LED flashes at a cycle of 1 Hz. For a "rolling code" type system, after entering registration mode, the LED flashes at a cycle of 8.8 Hz for 1.6 seconds, and then the LED flashes at a cycle of 1 Hz.

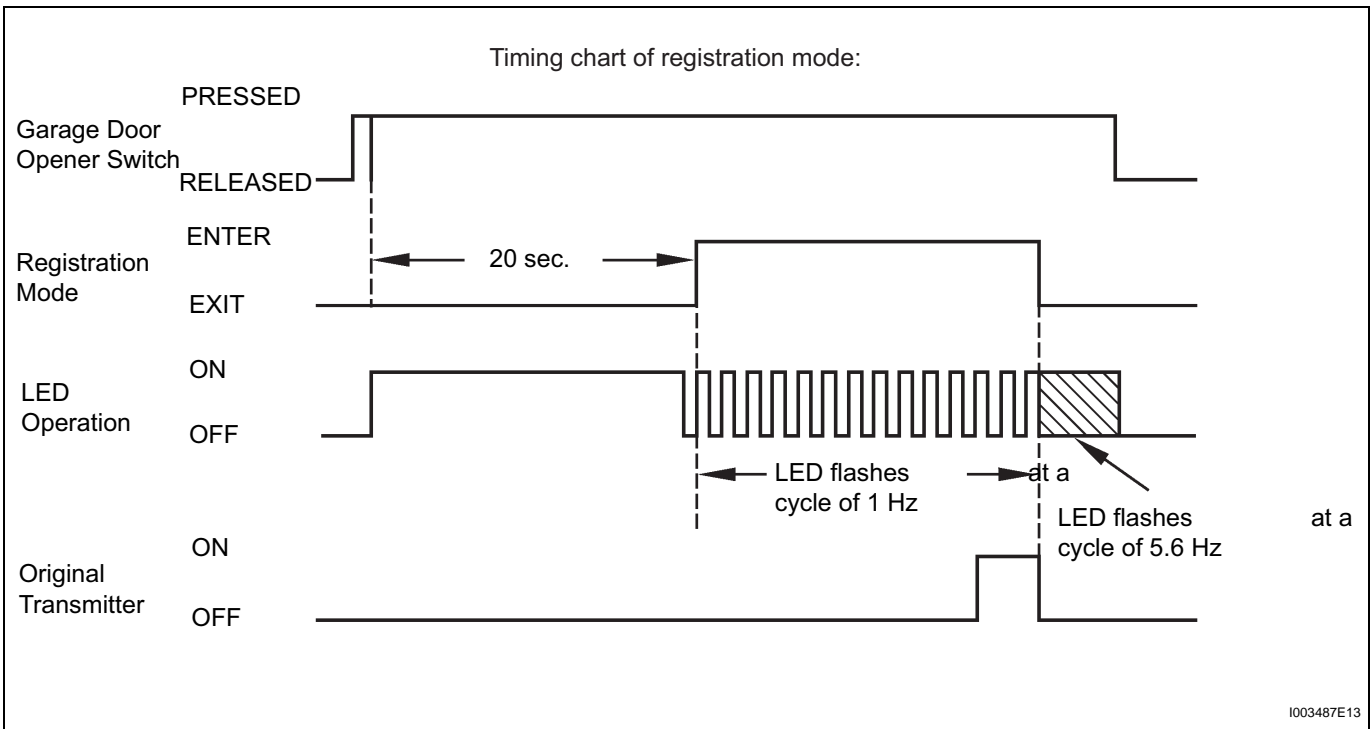
- (3) After the garage door opener has entered registration mode, bring the original transmitter of the system to be registered within 1 to 3 inches of the garage door opener and press and hold one of the garage door opener switches. Then press the original transmitter switch.
- (4) If the transmitter code registration was successful, the LED of the garage door opener flashes at a cycle of 5.6 Hz. If no malfunction occurs, release both the garage door opener switch and the original transmitter switch.

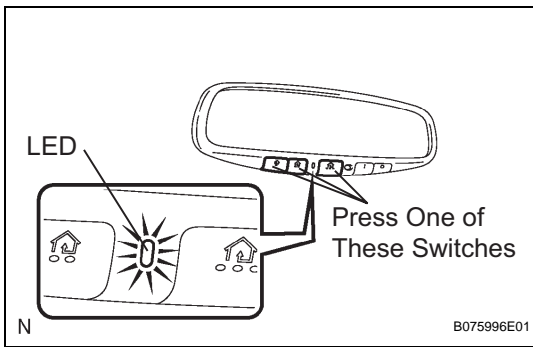
HINT:

- If transmitter code registration fails: 1) the original transmitter's battery may be low or need to be replaced, or 2) the system you are trying to register may not be compatible with the garage door opener.
- Some transmitter's signals stop after 1 to 2 seconds. For these types of transmitters: 1) press and hold one of the garage door opener switches, and 2) press and release (cycle) the transmitter switch every 2 seconds. Check if the transmitter code was successfully registered.
- After entering the garage door opener registration mode, transmitter code registration must be completed within 90 seconds. If 90 seconds elapse, the garage door opener will enter low power mode (see "Low power mode" description below).



Timing chart of registration mode:





(b) Erase the transmitter codes in the garage door opener clear mode.

HINT:

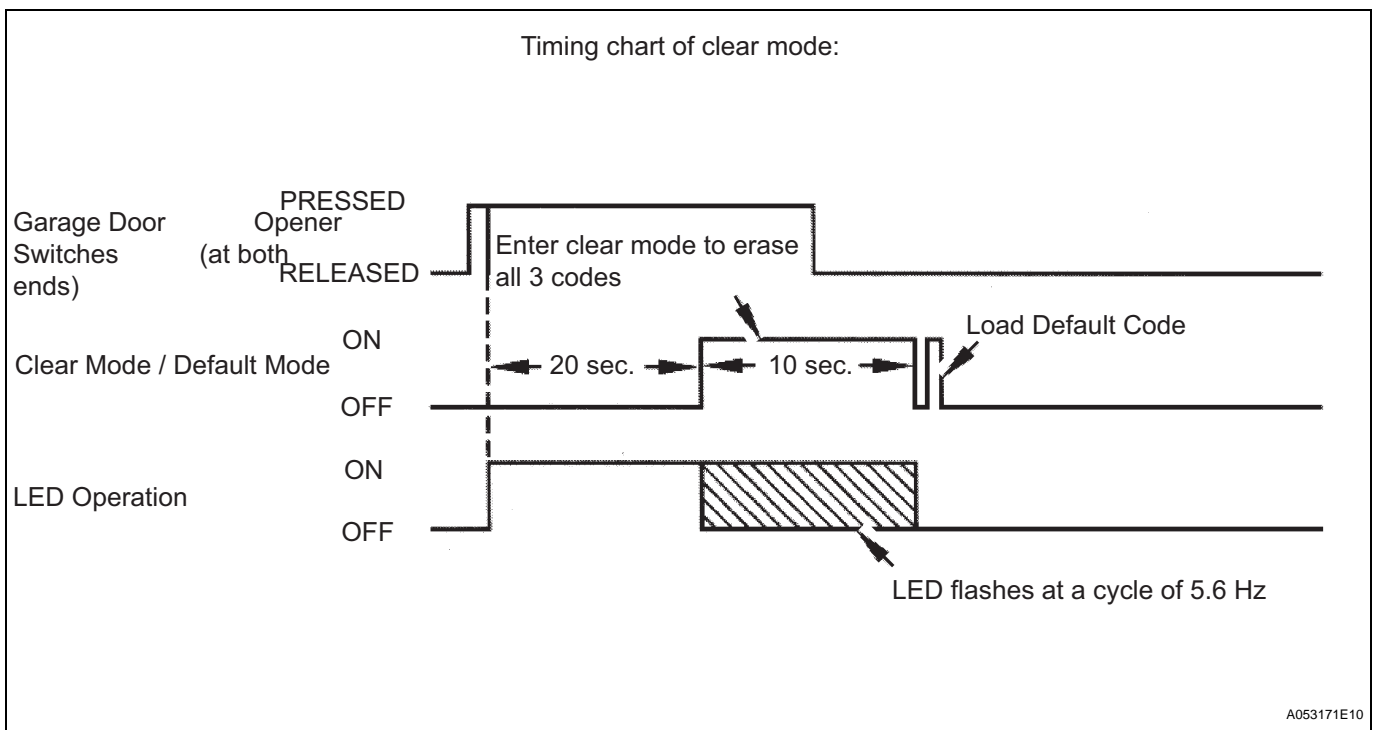
All 3 registered transmitter codes will be erased. No option exists for only erasing one transmitter code.

(1) Press and hold the left and right switches of the garage door opener for 20 seconds. The LED will begin to flash at a cycle of 5.6 Hz.

Releasing the switches will end clear mode.

HINT:

- If the switches are released within 10 seconds after the transmitter codes have been erased, the garage door opener will enter registration mode.
- If the switches are held for 10 seconds or more after the transmitter codes have been erased, default codes will be set to the 3 switches of the garage door opener. Using these default codes, operation of the garage door opener can be checked using a tester.



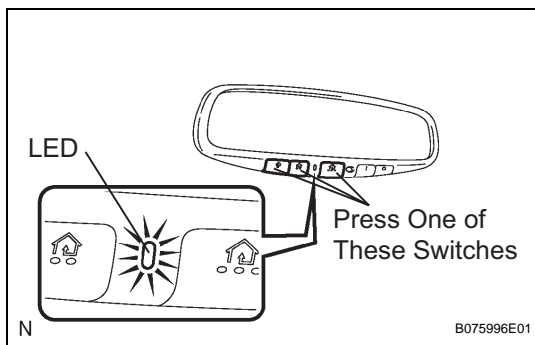
(c) Low power mode:

(1) If a garage door opener switch is held for 100 seconds or more, the garage door opener will enter low power mode to economize on power consumption. When the garage door opener has entered low power mode, the LED turns off.

INSPECTION

1. INSPECT GARAGE DOOR OPENER

- (a) Press each switch and check that the red LED turns on. If one or more of the switches does not turn on the LED, confirm normal operation of the fuse and wire harness. If the fuse and wire harness are malfunctioning, replace them. If not, replace the garage door opener.



2. INSPECT GARAGE DOOR OPENER REGISTRATION AND TRANSMITTING

HINT:

Use the KENTMORE home link tester and a tester transmitter for this test. First erase the customer's transmitter code(s), and then register the tester transmitter code.

- (a) Check if the tester transmitter code was successfully registered.

HINT:

If the code cannot be registered, replace the garage door opener.

- (b) Press the garage door opener switch that was registered to the tester transmitter. Check if the home link tester's green LED illuminates.

HINT:

If the green LED does not illuminate, replace the garage door opener.

- (c) After finishing the inspection, reregister the customer's transmitter code(s) if the original transmitters are available.

