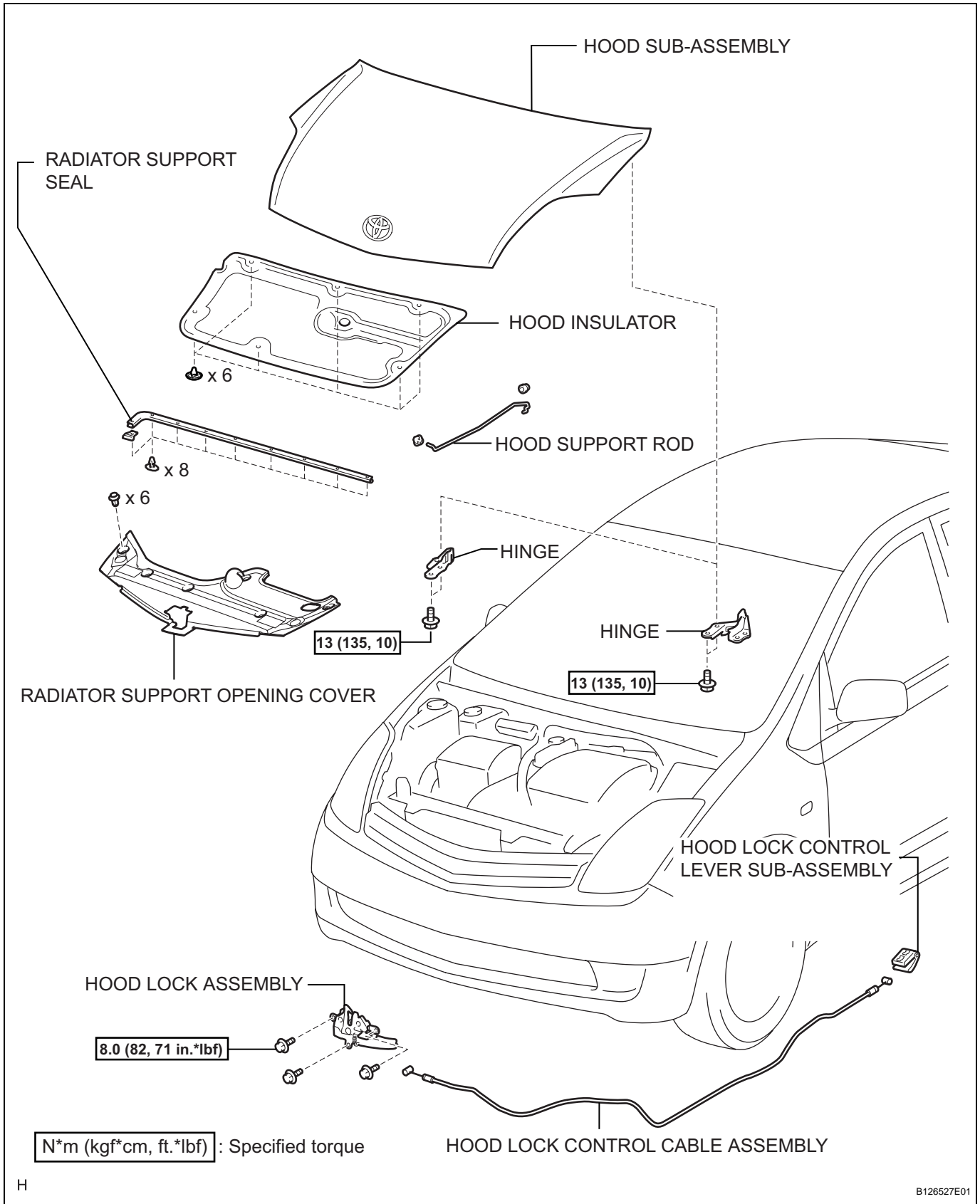


HOOD COMPONENTS

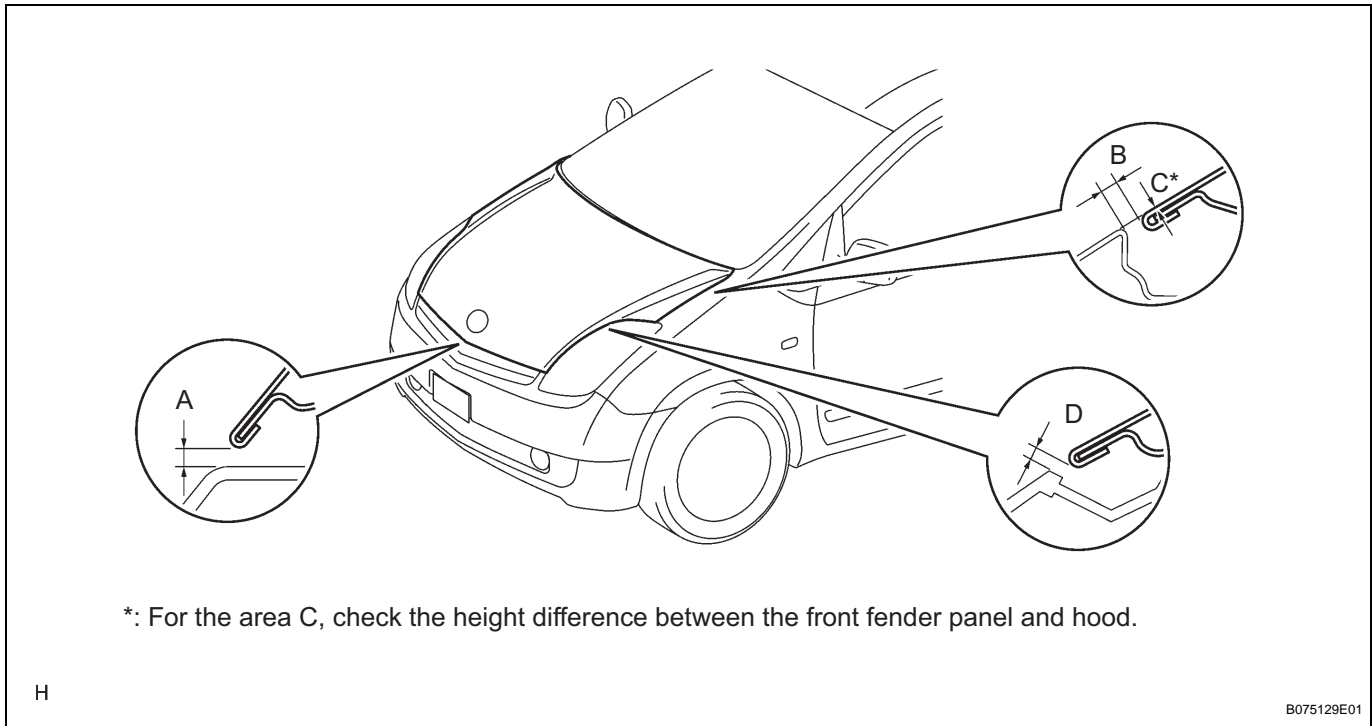


ED

ON-VEHICLE INSPECTION

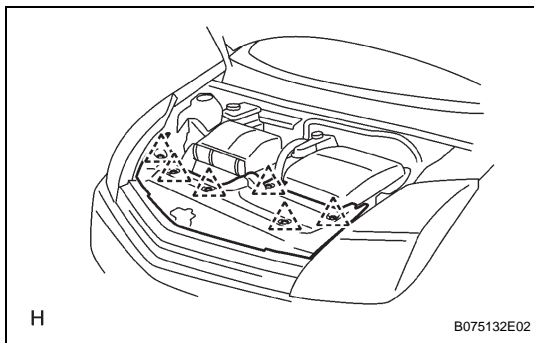
1. INSPECT HOOD SUB-ASSEMBLY

- (a) Check that the clearance measurements of areas A to D are within the standard range.



Standard measurement

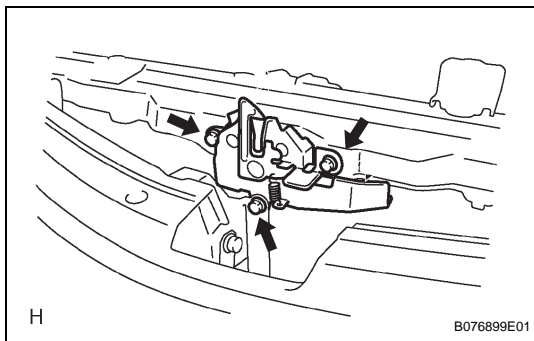
Area	Specified Condition	Area	Specified Condition
A	4.3 +1.5 mm (0.146 +-0.059 in.)	C	0.0 +-1.5 mm (0.000 +-0.059 in.)
B	3.7 +-1.5 mm (0.146 +-0.059 in.)	D	3.3 +-1.5 mm (0.130 +-0.059 in.)



REMOVAL

1. REMOVE RADIATOR SUPPORT OPENING COVER

- (a) Remove the 6 clips and radiator support opening cover.



2. REMOVE HOOD LOCK ASSEMBLY

- (a) Remove the 3 bolts and hood lock.
 (b) Disconnect the lock control cable.

3. REMOVE HOOD SUPPORT ROD

- (a) Remove the rod.
 (b) Using a clip remover, remove the holder and retainer.

4. REMOVE HOOD INSULATOR

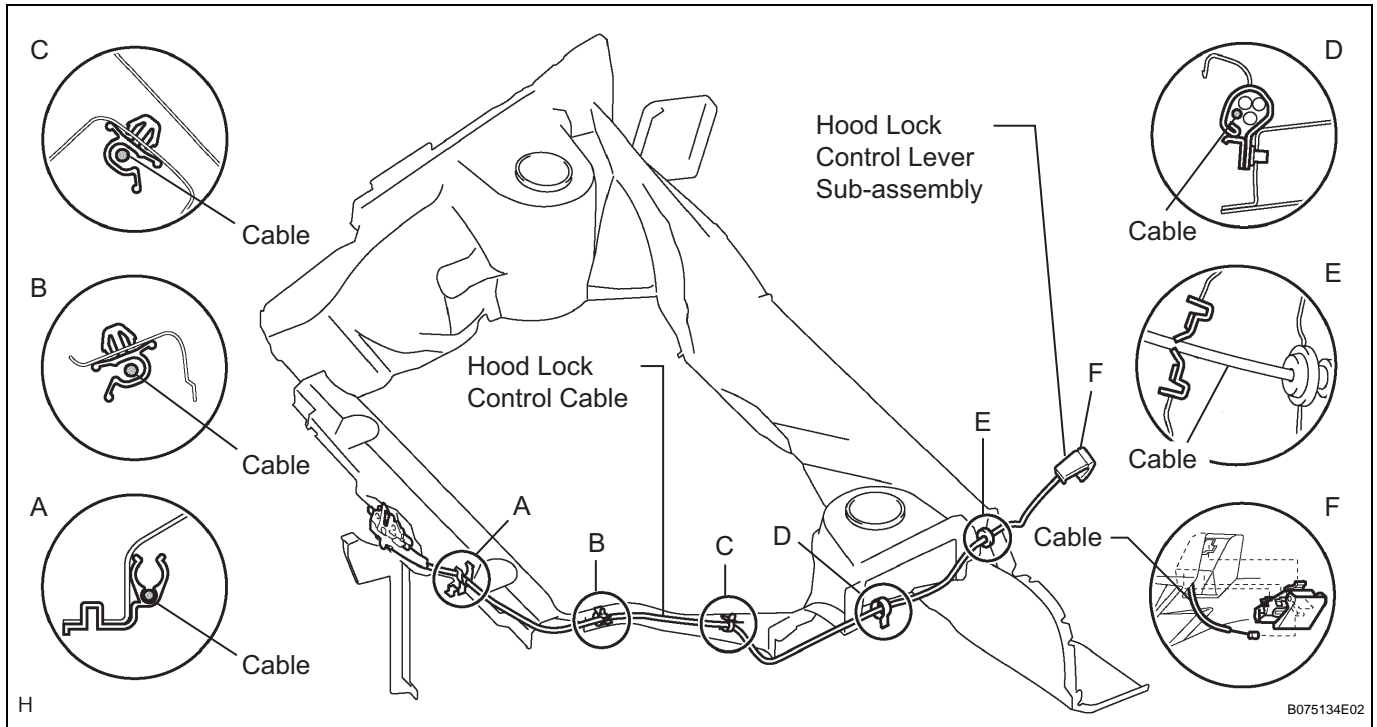
- (a) Using a clip remover, remove the 6 clips and insulator.

5. REMOVE HOOD LOCK CONTROL CABLE ASSEMBLY

- (a) Remove the front bumper cover (see page [ET-3](#)).
- (b) Remove the front fender liner (see page [ET-3](#)).
- (c) Using a screwdriver, disconnect the cable clamps as shown in the illustration.

HINT:

Tape the screwdriver tip before use.

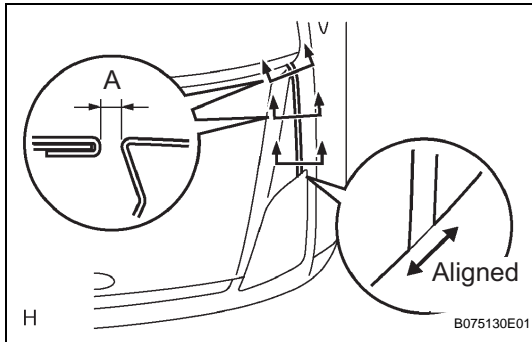
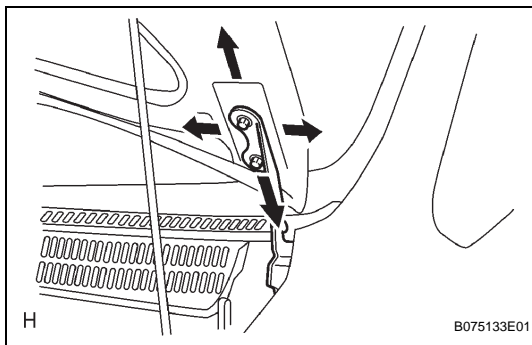
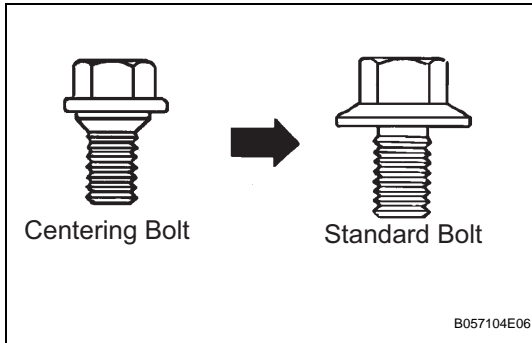


- (d) Remove the cable.

ADJUSTMENT

HINT:

- Use the same procedure for the RH side and LH side.
- The procedures listed below are for the LH side.
- Centering bolts are used to mount the hood hinge and hood lock. The hood and hood lock cannot be adjusted with the centering bolts on. Substitute the centering bolts with standard bolts (with washers) when making adjustments.
- A bolt without a torque specification is shown in the standard bolt chart (see page [SS-2](#)).



1. ADJUST HOOD SUB-ASSEMBLY

(a) Adjust the hood's position.

- (1) Loosen the 4 hinge bolts on the hood side.

- (2) Move the hood and adjust the clearance between the hood and front fender. Make sure that the clearance is within the standard range.

Standard measurement (A):

3.7 +1.5 mm (0.146 +0.059 in.)

- (3) Tighten the hood's hinge bolts after the adjustment.

Torque: 13 N*m (133 kgf*cm, 10 ft.*lbf)

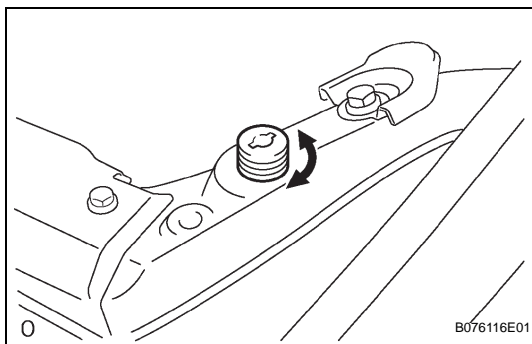
- (b) Adjust the cushion rubber so that the height of the hood and the fender are aligned.

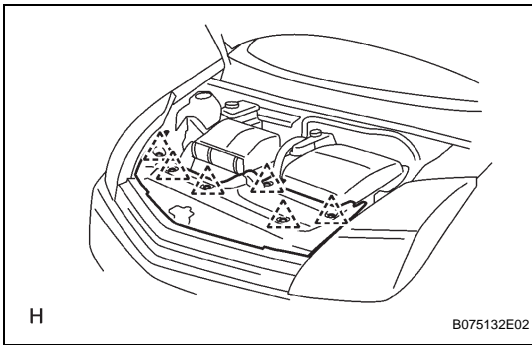
HINT:

Raise or lower the cushion rubber by turning it.

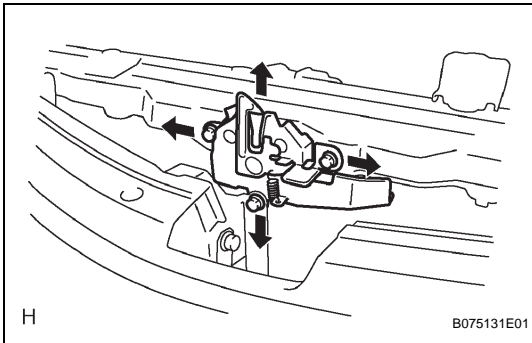
Standard measurement:

3.3 +1.5 mm (0.130 +0.059 in.)





- (c) Adjust the hood lock.
- (1) Remove the 6 clips and radiator support opening cover.



- (2) Loosen the 3 bolts.
- (3) Adjust the hood lock position so that the striker can enter it smoothly.
- (4) Tighten the bolts and nut after the adjustment.
Torque: 8.0 N*m (82 kgf*cm, 71 in.*lbf)

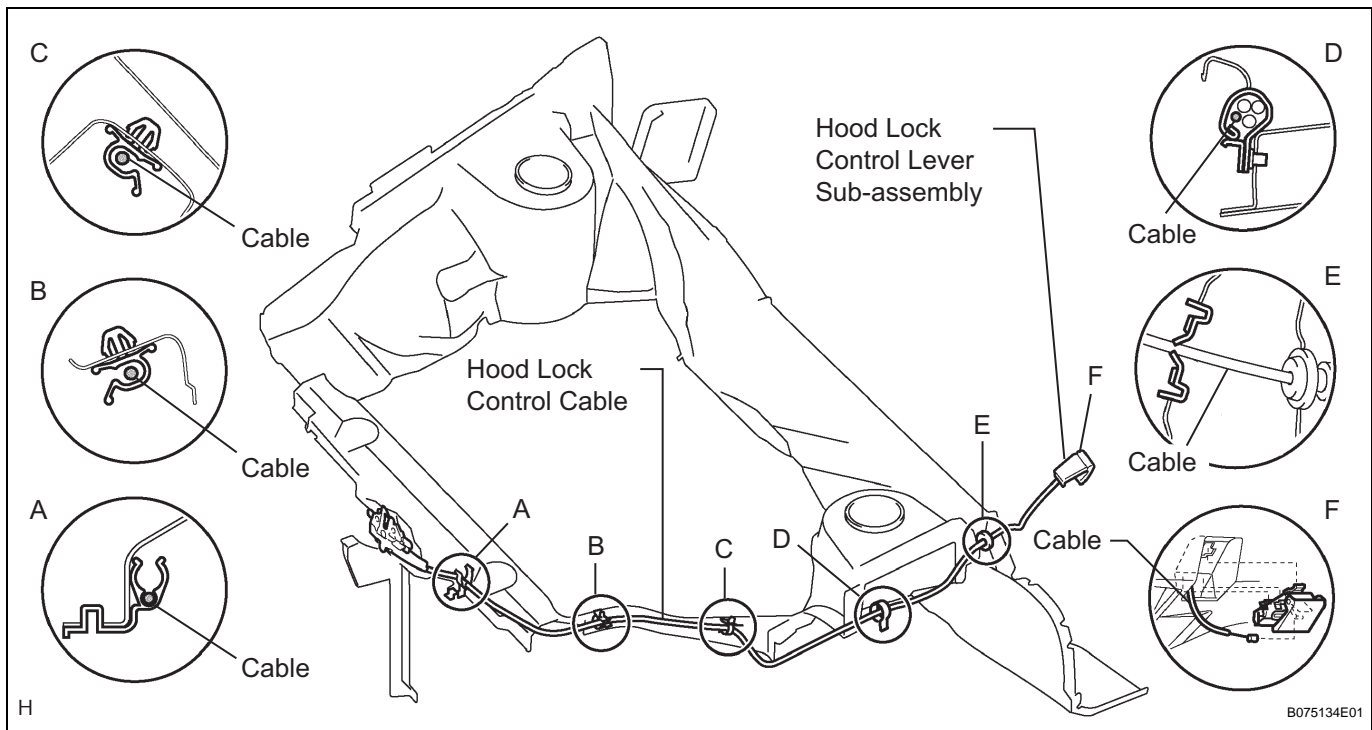
INSTALLATION

HINT:

A bolt without a torque specification is shown in the standard bolt chart (see page [SS-2](#)).

1. INSTALL HOOD LOCK CONTROL CABLE ASSEMBLY

- (a) Install the cable.
- (b) Connect the cable clamps as shown in the illustration.



- (c) Install the front fender liner (see page [ET-6](#)).
- (d) Remove the front bumper cover (see page [ET-6](#)).

2. INSTALL HOOD INSULATOR

- (a) Install the insulator with the 6 clips.

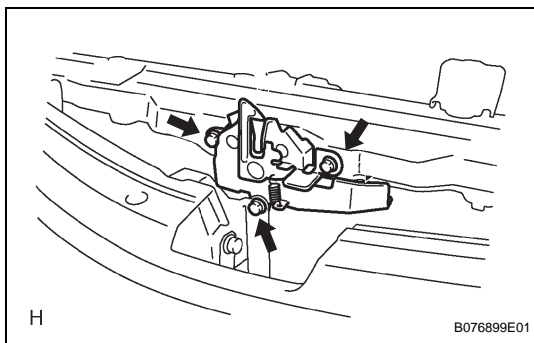
3. INSTALL HOOD SUPPORT ROD

- (a) Install the retainer and holder.
- (b) Install the rod.

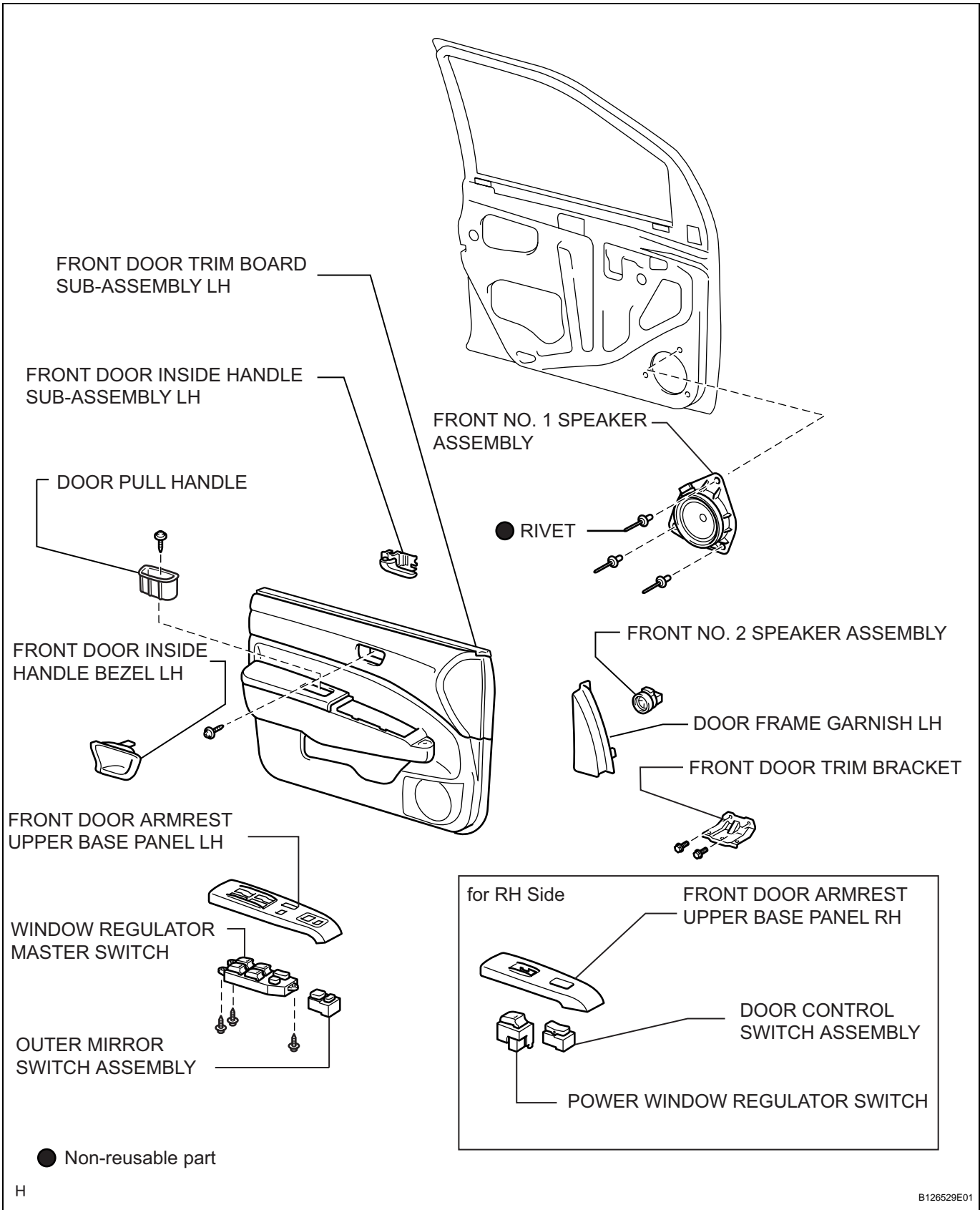
4. INSTALL HOOD LOCK ASSEMBLY

- (a) Connect the hood lock control cable.
- (b) Install the lock with the 3 bolts.
Torque: 8.0 N*m (82 kgf*cm, 71 in.*lbf)
- (c) Adjust the hood lock (see page [ED-3](#)).

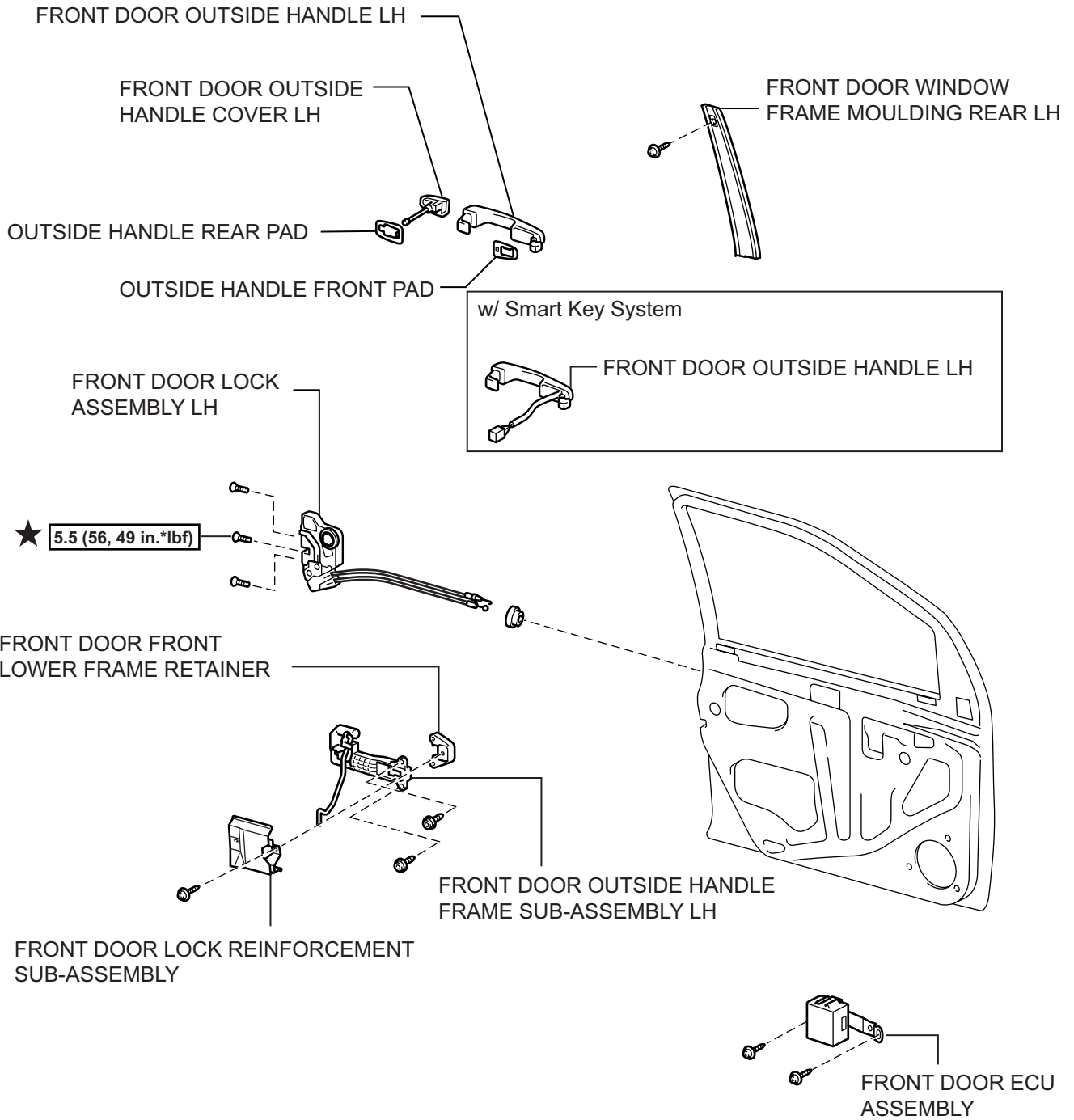
ED



FRONT DOOR COMPONENTS



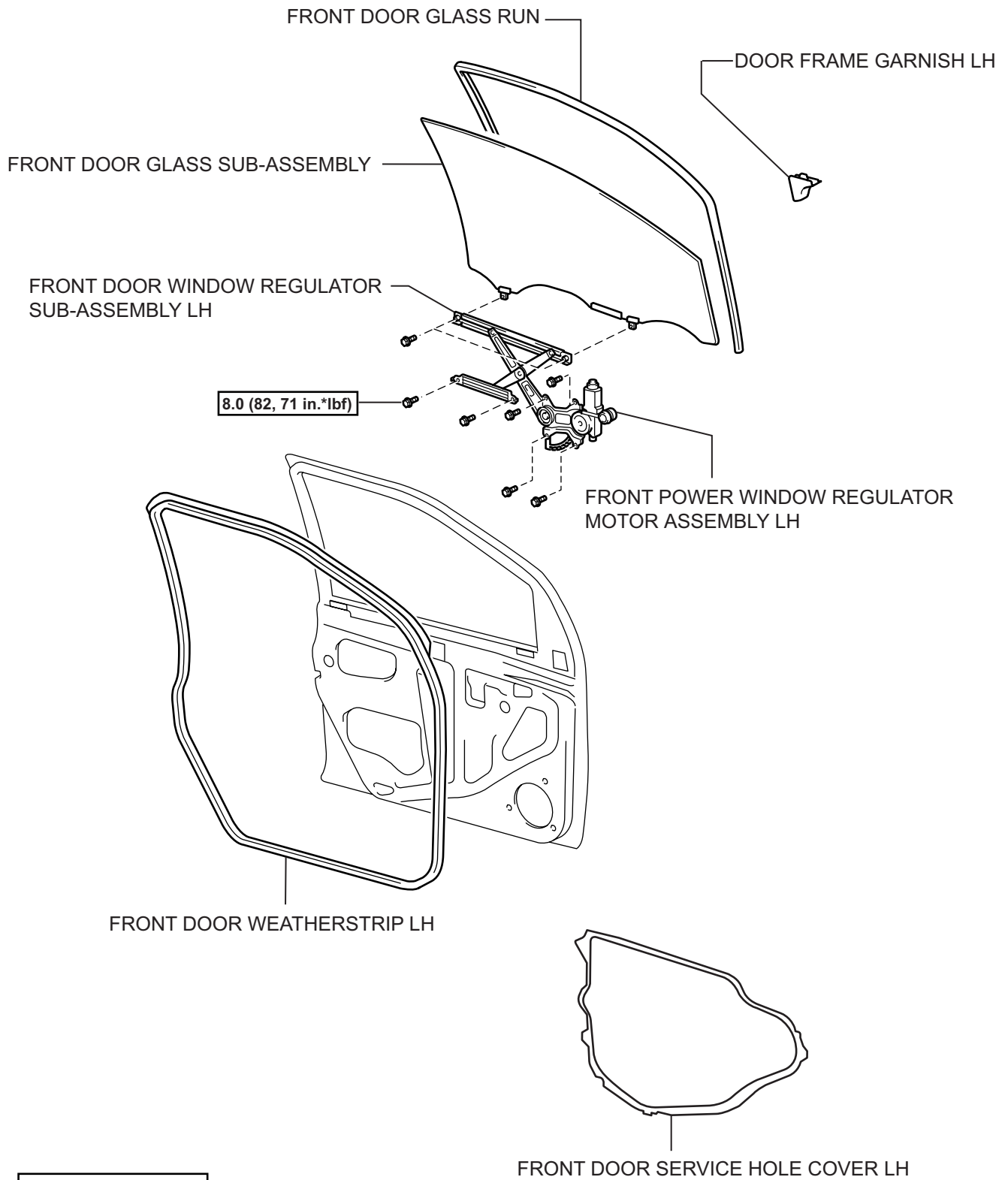
ED



N*m (kgf*cm, ft.*lbf) : Specified torque

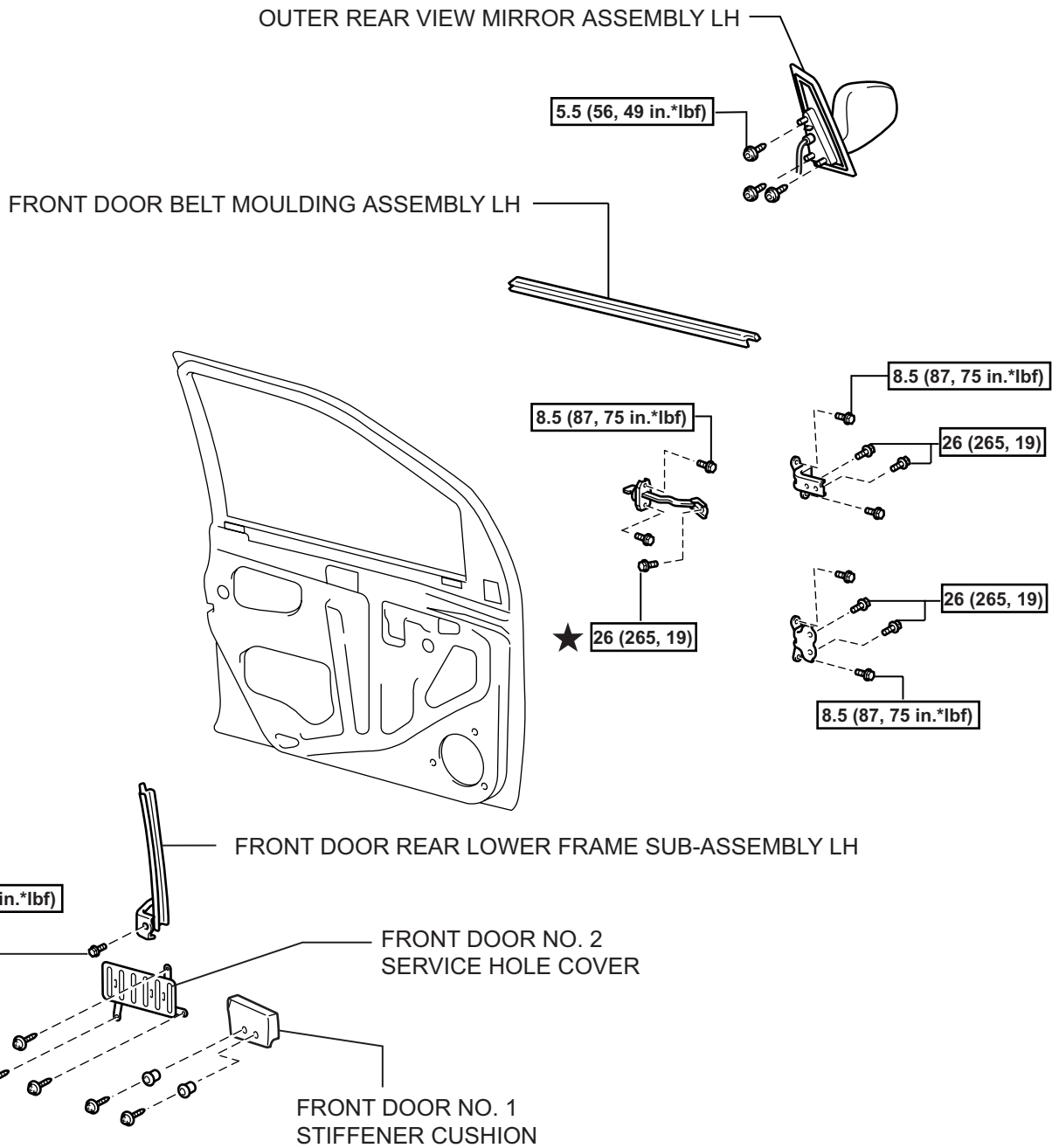
★ Precoated part

ED



N*m (kgf*cm, ft.*lbf) : Specified torque

ED



N*m (kgf*cm, ft.*lbf) : Specified torque

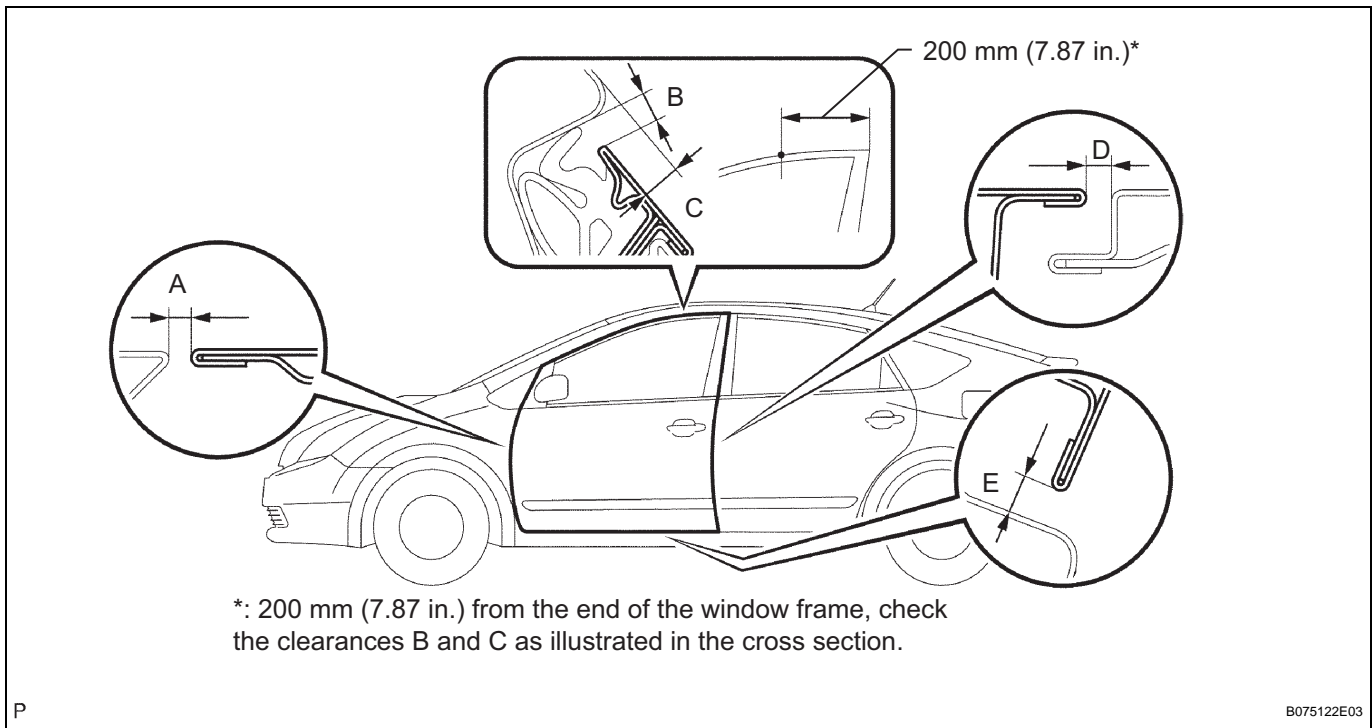
★ Precoated part

ED

ON-VEHICLE INSPECTION

1. INSPECT FRONT DOOR SUB-ASSEMBLY

- (a) Check that the clearance measurements of areas A to E are within the standard range.



Standard measurement

Area	Specified Condition	Area	Specified Condition
A	4.0 +1.5 mm (0.157 +-0.059 in.)	D	4.0 +1.5 mm (0.157 +-0.059 in.)
B	5.1 +1.5 mm (0.201 +-0.059 in.)	E	5.7 +1.5 mm (0.224 +-0.059 in.)
C	6.3 +1.5 mm (0.248 +-0.059 in.)	-	-

DISASSEMBLY

HINT:

- Use the same procedures for the LH side and RH side.
- The procedures listed below are for the LH side.

1. REMOVE NO. 2 REAR FLOOR BOARD
2. REMOVE REAR DECK FLOOR BOX
3. REMOVE NO. 3 REAR FLOOR BOARD ASSEMBLY
4. DISCONNECT CABLE FROM NEGATIVE BATTERY TERMINAL

CAUTION:

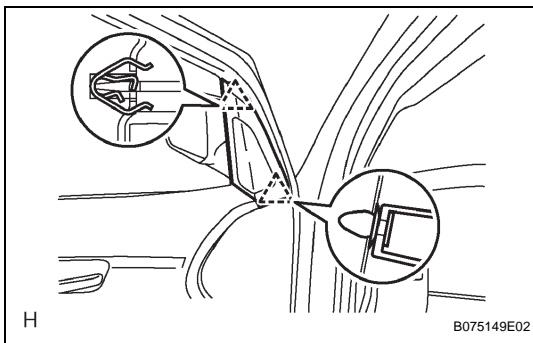
Wait at least 90 seconds after disconnecting the cable from the negative (-) battery terminal to prevent airbag and seat belt pretensioner activation.

5. REMOVE FRONT DOOR LOWER FRAME BRACKET GARNISH LH

- (a) Using a screwdriver, detach the 2 clips and remove the garnish.

HINT:

Tape the screwdriver tip before use.

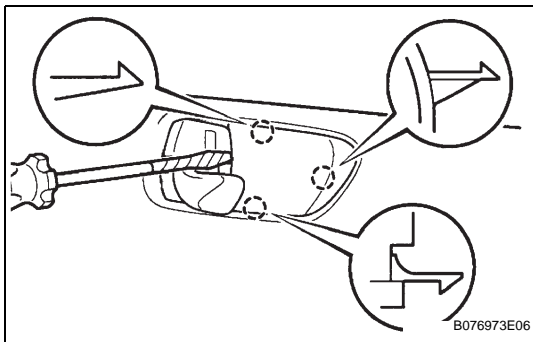


6. REMOVE FRONT DOOR INSIDE HANDLE BEZEL LH

- (a) Using a screwdriver, detach the 3 claws and remove the bezel.

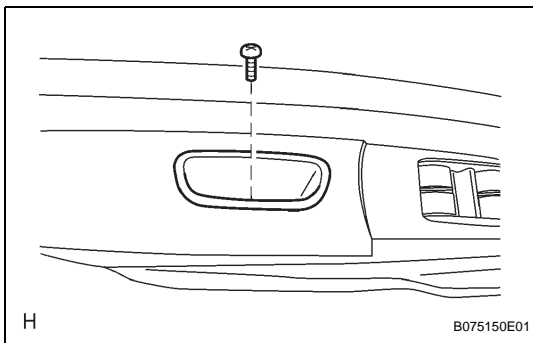
HINT:

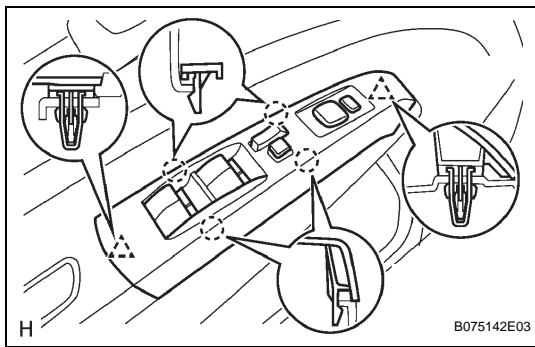
Tape the screwdriver tip before use.



7. REMOVE DOOR PULL HANDLE

- (a) Remove the screw and pull handle.





8. REMOVE FRONT DOOR ARMREST UPPER BASE PANEL LH

- (a) Driver's side:
Using a screwdriver, detach the 2 clips and 4 claws, and remove the armrest base panel together with the window regulator master switch.

HINT:

Tape the screwdriver tip before use.

- (b) Disconnect the switch connector.
(c) Remove the 3 screws and the window regulator master switch from the armrest base panel.

- (d) Passenger's side:
Using a screwdriver, detach the 2 clips and 4 claws, and remove the armrest base panel together with the 2 switches.

HINT:

Tape the screwdriver tip before use.

- (e) Disconnect the switch connector.
(f) Using a screwdriver, detach the 2 claws and remove the door control switch.

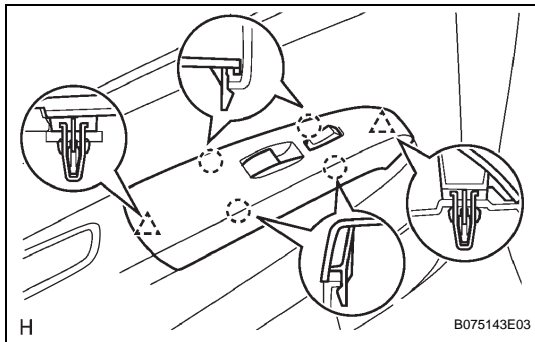
HINT:

Tape the screwdriver tip before use.

- (g) Using a screwdriver, detach the 2 claws and remove the power window regulator switch.

HINT:

Tape the screwdriver tip before use.

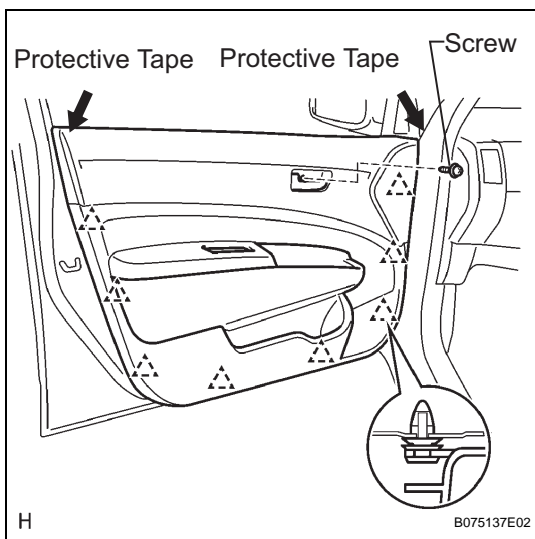


9. REMOVE FRONT DOOR TRIM BOARD SUB-ASSEMBLY LH

- (a) Remove the screw.
(b) Using a screwdriver, detach the 7 clips and remove the trim board.

HINT:

- Tape the screwdriver tip before use.
- In order to prevent the door panel from being damaged, use protective tape to cover the areas indicated by the arrow marks in the illustration.
- If the clip cannot be reached with the screwdriver, pull on the lower trim to remove it.



10. REMOVE FRONT DOOR INSIDE HANDLE SUB-ASSEMBLY LH

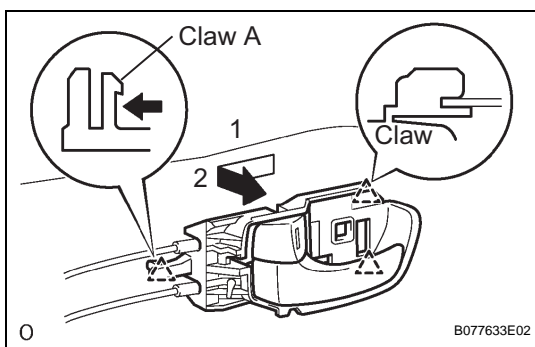
- (a) Using a screwdriver, detach claw A as shown in the illustration.

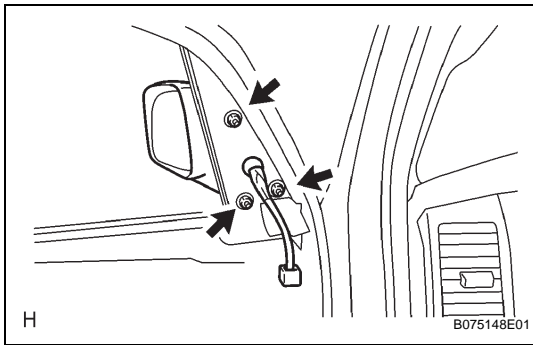
HINT:

Tape the screwdriver tip before use.

- (b) Move the inside handle in the direction indicated by the arrow mark in the illustration. This will release the 2 claws and allow removal of the inside handle.

- (c) Disconnect the 2 cables from the inside handle.



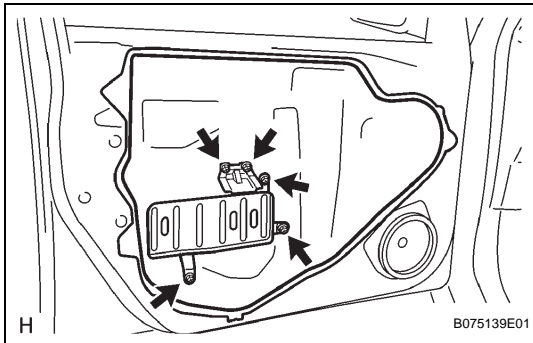


11. REMOVE OUTER REAR VIEW MIRROR ASSEMBLY LH

- (a) Disconnect the mirror connector.
- (b) Remove the 3 nuts and mirror.

NOTICE:

Be careful when removing the nuts as the mirror may fall and become damaged.



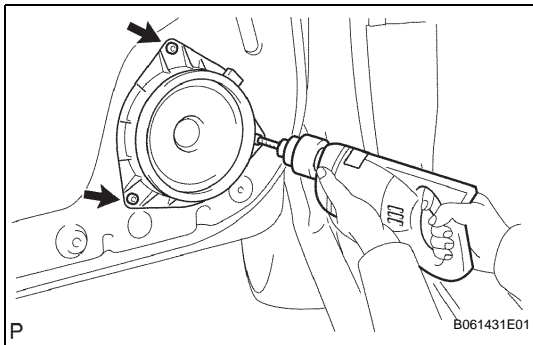
12. REMOVE FRONT DOOR SERVICE HOLE COVER LH

- (a) Remove the 2 screws and trim bracket.
- (b) Remove the service hole cover.

NOTICE:

Remove the remaining tape on the door side.

- (c) Remove the 3 screws and service hole cover No. 2.



13. REMOVE FRONT NO. 1 SPEAKER ASSEMBLY

- (a) Using a drill of less than $\phi 4$ mm (0.16 in.), drill out the 3 rivet heads and remove the speaker.

NOTICE:

- **Be sure to gently place the drill perpendicular to the rivet, otherwise the rivet hole and the drill itself will be damaged.**
- **Be careful with the cut rivet, because it is hot.**

- (b) Even if the flange is taken off, continue drilling and push out the remaining fragments using the drill.
- (c) Using a vacuum cleaner, remove the drilled rivet and dust from the inside of the door.

14. REMOVE FRONT DOOR BELT MOULDING ASSEMBLY LH (See page [ET-20](#))

15. REMOVE FRONT DOOR WINDOW FRAME MOULDING REAR LH (See page [ET-32](#))

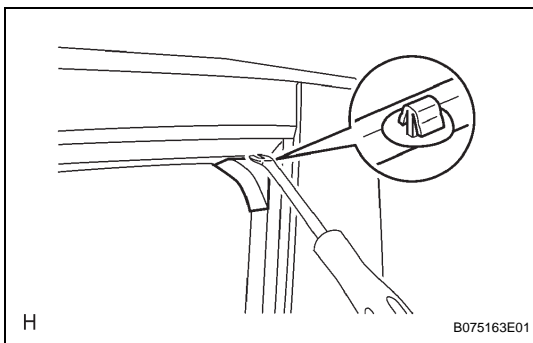
16. REMOVE DOOR FRAME GARNISH LH

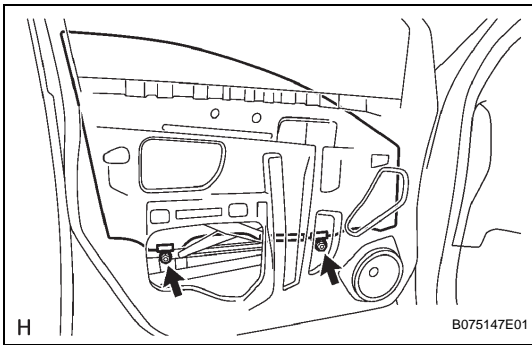
- (a) Using a clip remover, detach the claws and remove the garnish.

17. REMOVE FRONT DOOR GLASS SUB-ASSEMBLY LH

HINT:

Insert cushions inside the door panel to prevent the glass from being scratched.

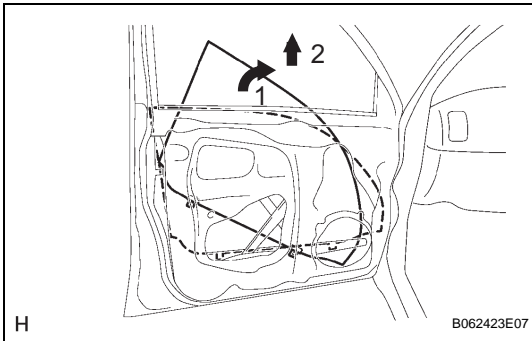




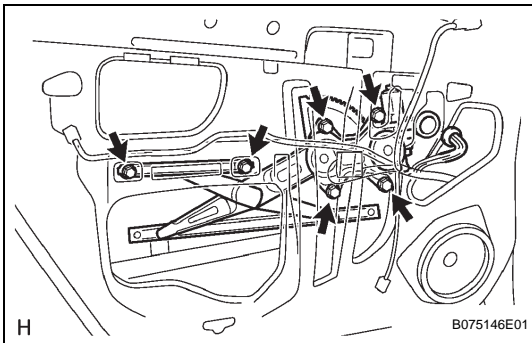
- (a) Driver's Side:
Connect the window regulator master switch.
- (b) Passenger's side:
Connect the power window regulator switch.
- (c) Move the door glass until the 2 bolts appear in the service holes.
- (d) Remove the 2 bolts.

NOTICE:

Be careful when removing the 2 bolts as the glass may fall and become damaged.



- (e) Remove the door glass in the direction indicated by the arrow marks in the illustration.
- (f) Driver's side:
Disconnect the window regulator master switch.
- (g) Passenger side:
Disconnect the power window regulator switch.



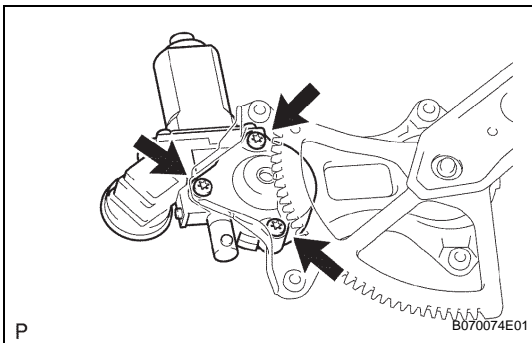
18. REMOVE FRONT DOOR WINDOW REGULATOR SUB-ASSEMBLY LH

- (a) Disconnect the connector.
- (b) Remove the 6 bolts and regulator.

NOTICE:

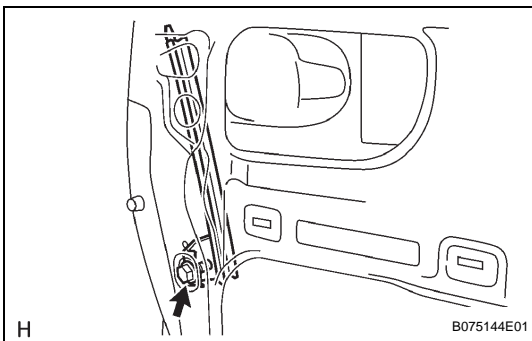
Be careful when removing the bolts as the window regulator may fall and become damaged.

- (c) Remove the glass ran.



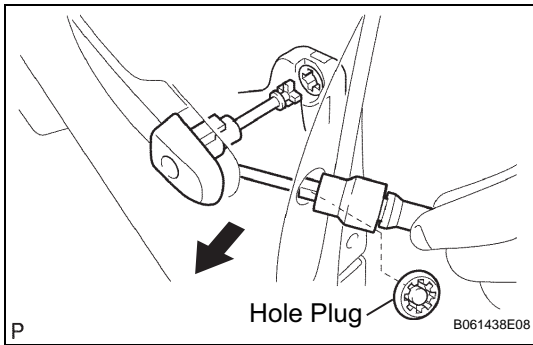
19. REMOVE FRONT POWER WINDOW REGULATOR MOTOR ASSEMBLY LH

- (a) Using a T25 "torx" driver, remove the 3 screws and motor.



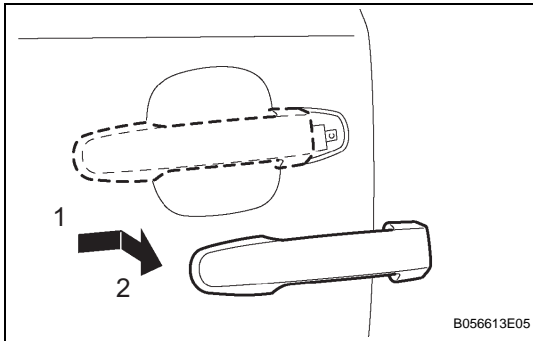
20. REMOVE FRONT DOOR REAR LOWER FRAME SUB-ASSEMBLY LH

- (a) Remove the bolt and frame.



21. REMOVE FRONT DOOR OUTSIDE HANDLE COVER LH

- (a) Remove the hole plug.
- (b) Using a T30 "torx" wrench, loosen the screw and remove the cover with the door lock key cylinder installed.

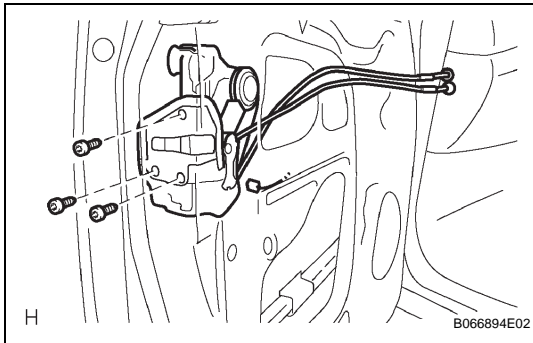


22. REMOVE FRONT DOOR OUTSIDE HANDLE LH

- (a) w/ Smart Key System:
Disconnect the connector.
- (b) Remove the handle by sliding and pulling it in the direction indicated by the arrow mark in the illustration.
- (c) Remove the outside handle pad front and rear.

NOTICE:

If the release plate is not pulled and held when removing the handle, the release plate will interfere with the handle and become damaged.



23. REMOVE FRONT DOOR LOCK ASSEMBLY LH

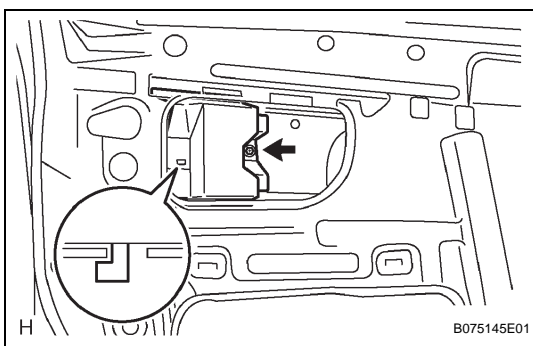
- (a) Using a T30 "torx" wrench, remove the 3 screws and door lock.

NOTICE:

Be careful when removing the screws as the door lock may fall and become damaged.

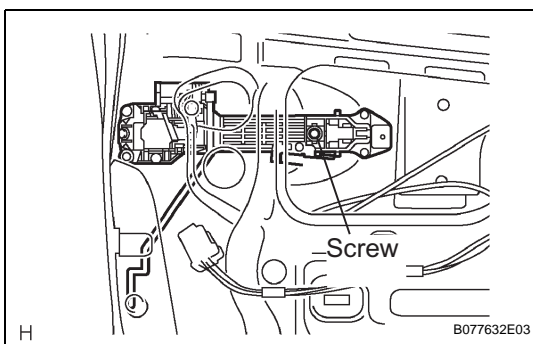
HINT:

Remove the door lock through the service hole.

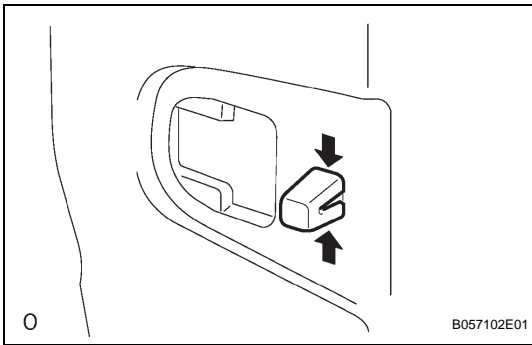


24. REMOVE FRONT DOOR OUTSIDE HANDLE FRAME SUB-ASSEMBLY LH

- (a) Remove the 2 screws and No. 1 stiffener cushion.



- (b) Using a T30 "torx" wrench, loosen the screw of the frame.



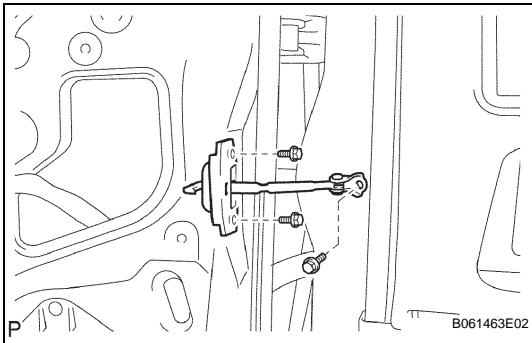
- (c) Using pliers, pinch the clip and remove the handle frame, as shown in the illustration.

NOTICE:

Be sure to remove the outside handle frame together with the clips as the clips will be damaged if they remain attached to the door panel.

HINT:

Remove the frame through the service hole.



25. REMOVE FRONT DOOR CHECK ASSEMBLY LH

- (a) Remove the 3 bolts and door check.

HINT:

Remove the check through the service hole.

26. REMOVE FRONT DOOR WEATHERSTRIP LH

- (a) Using a clip remover, detach the clips and remove the weatherstrip.

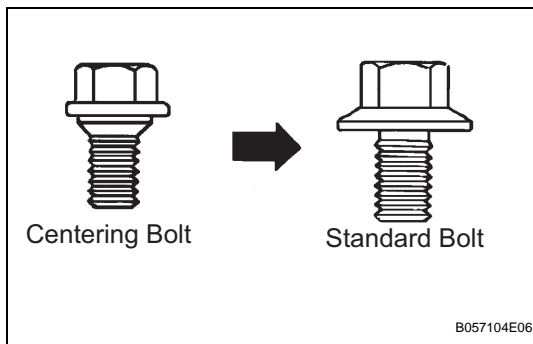
HINT:

If the clips are damaged during removal, replace them.

ADJUSTMENT

HINT:

- Before adjusting the door position for vehicles equipped with side airbags and curtain shield airbags, be sure to disconnect the battery. After adjustment, inspect the SRS warning light, the side airbag system and the curtain shield airbag system for normal operation (see page RS-31). Then initialize both systems (see page IN-32).
- Use the same procedure for the RH side and LH side.
- The procedures listed below are for the LH side.
- Centering bolts are used to mount the door hinge to the vehicle body and door. The door cannot be adjusted with the centering bolts on. Substitute the centering bolts with standard bolts (w/ washers) when making adjustments.



1. ADJUST FRONT DOOR SUB-ASSEMBLY

- (a) Disconnect the negative (-) terminal cable from the battery.

CAUTION:

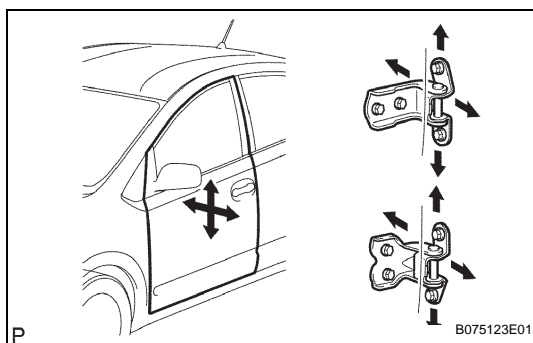
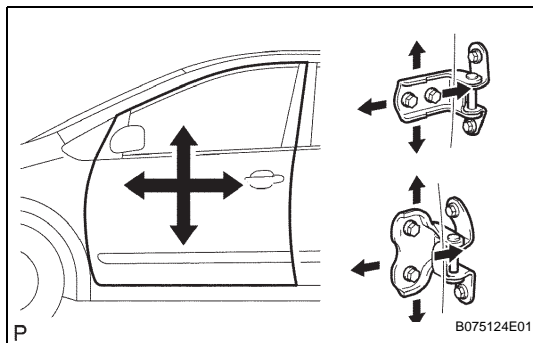
Work must be started at least 90 seconds after the power switch is turned OFF and the negative (-) terminal cable is disconnected from the battery. (The SRS is equipped with a back-up power source. If work is started within 90 seconds of disconnecting the negative (-) terminal battery and turning the power switch OFF)

- (b) Using SST, loosen the body side's hinge bolts and adjust the door's position.

SST 09812-00010, 09812-00020

- (c) Tighten the body side's hinge bolts after the adjustment.

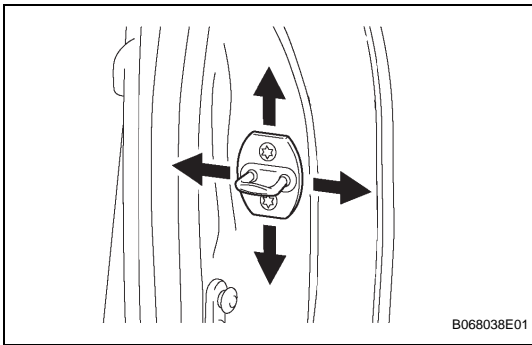
Torque: 26 N*m (265 kgf*cm, 19 ft.*lbf)



- (d) Loosen the door side's hinge bolts and adjust the door's position.

- (e) Tighten the door side's hinge bolts after the adjustment.

Torque: 26 N*m (265 kgf*cm, 19 ft.*lbf)



- (f) Using a T40 "torx" wrench, adjust the striker position by slightly loosening the striker mounting screws and hitting the striker with a plastic-faced hammer.
- (g) Tighten the striker mounting screws after the adjustment.
Torque: 23 N*m (235 kgf*cm, 17 ft.*lbf)
- (h) Connect the negative (-) terminal cable to the battery.
- (i) Check which systems need to be initialized and perform initialization (see page [IN-32](#)).
- (j) Check the SRS warning light (see page [RS-31](#)).

REASSEMBLY

HINT:

- Use the same procedures for the RH side and LH side.
- The procedures listed below are for the LH side.
- A bolt without a torque specification is shown in the standard bolt chart (see page [SS-2](#)).

1. INSTALL FRONT DOOR WEATHERSTRIP LH

- (a) Install the weatherstrip and attach the clips.

2. INSTALL FRONT DOOR CHECK ASSEMBLY LH

- (a) Apply MP grease to the sliding areas of the check.
 (b) Install the check to the door panel with the 2 bolts.

Torque: 5.5 N*m (56 kgf*cm, 49 in.*lbf)

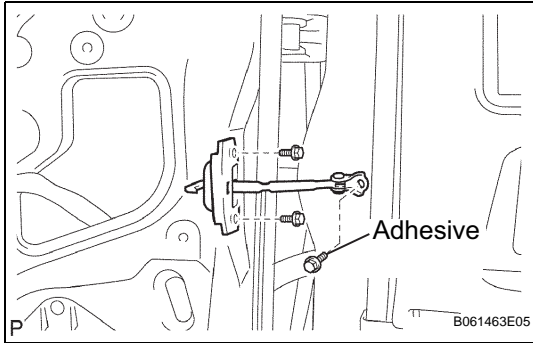
- (c) Apply adhesive to the threads of the bolt.

Adhesive:

Toyota Genuine Adhesive 1324, Three Bond 1324 or Equivalent

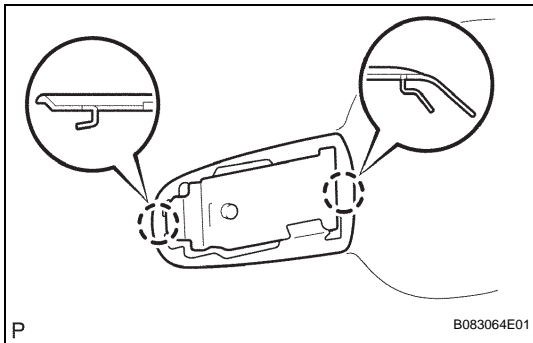
- (d) Install the check to the body panel with the bolt.

Torque: 4.0 N*m (41 kgf*cm, 35 in.*lbf)



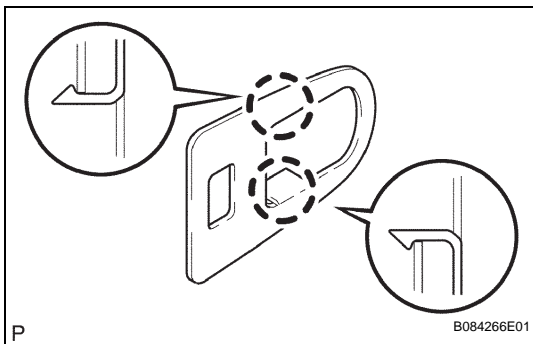
3. REMOVE FRONT DOOR OUTSIDE HANDLE PAD REAR

- (a) Attach the 2 claws to install the pad.



4. REMOVE FRONT DOOR OUTSIDE HANDLE PAD FRONT

- (a) Attach the 2 claws to install the pad.



5. INSTALL FRONT DOOR OUTSIDE HANDLE FRAME SUB-ASSEMBLY LH

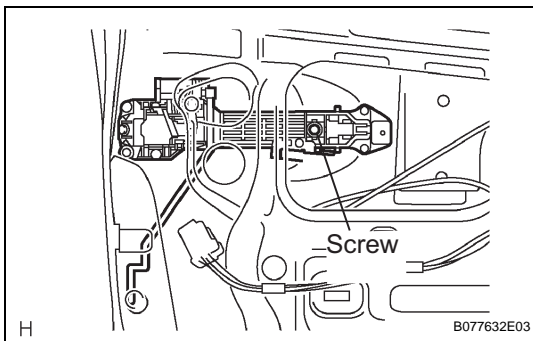
- (a) Install the outside handle link.
 (b) Apply MP grease to the sliding areas of the frame.
 (c) Using a T30 "torx" socket wrench, install the frame with the screw.

Torque: 4.0 N*m (41 kgf*cm, 35 in.*lbf)

- (d) Install the No. 1 stiffener cushion with the 2 screws.

6. INSTALL FRONT DOOR LOCK ASSEMBLY

- (a) Apply MP grease to the sliding and rotating areas of the door lock.



- (b) Install new door lock wire harness packing.

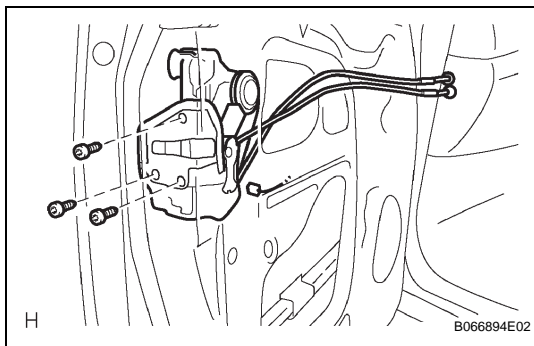
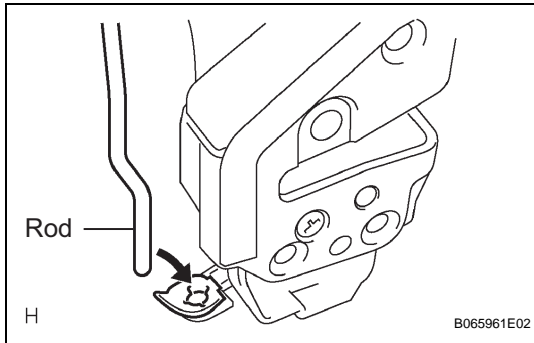
NOTICE:

- When reinstalling the door lock, always use new packing.
- Do not allow grease or dirt to contaminate the gap between the door panel and packing.
- Old packing or damaged packing cannot effectively protect against water, which can damage the door lock.

- (c) Insert the control rod into the door lock, and then set it to the door panel.

NOTICE:

Make sure that the rod is securely engaged with the lock.



- (d) Apply adhesive to the threads of the 3 screws.

Adhesive:

Toyota Genuine 1324, Three Bond 1324 or Equivalent

- (e) Using a T30 "torx" wrench, install the door lock with the 3 screws.

Torque: 5.0 N*m (51 kgf*cm, 44 in.*lbf)

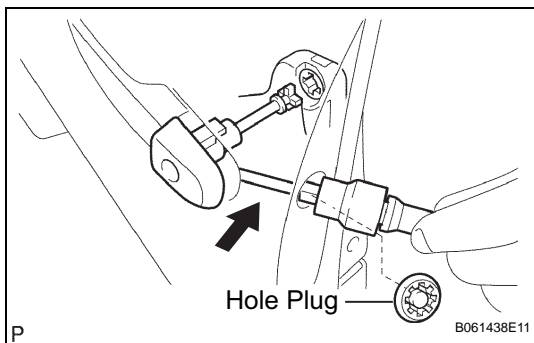
- (f) Connect the door lock connector.

7. INSTALL FRONT DOOR OUTSIDE HANDLE LH**8. INSTALL FRONT DOOR OUTSIDE HANDLE COVER LH**

- (a) Using a T30 "torx" wrench, install the cover (with the door lock key cylinder installed) with the screw.

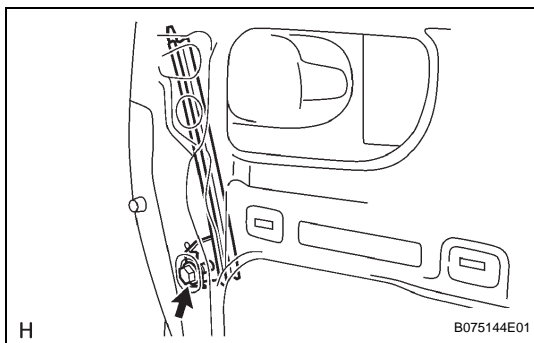
Torque: 4.0 N*m (41 kgf*cm, 37 in.*lbf)

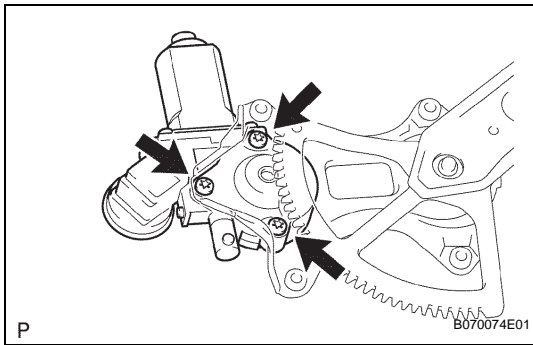
- (b) Install the hole plug.

**9. INSTALL FRONT DOOR FRAME SUB-ASSEMBLY REAR LOWER LH**

- (a) Install the frame with the bolt.

Torque: 6.2 N*m (63 kgf*cm, 55 in.*lbf)

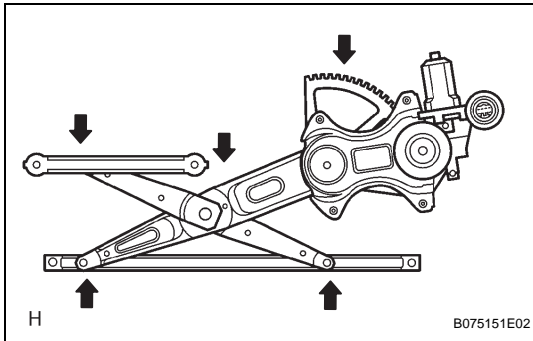




10. INSTALL FRONT POWER WINDOW REGULATOR MOTOR ASSEMBLY LH

- (a) Using a T25 "torx" driver, install the motor with the 3 screws.

Torque: 5.4 N*m (55 kgf*cm, 48 in.*lbf)

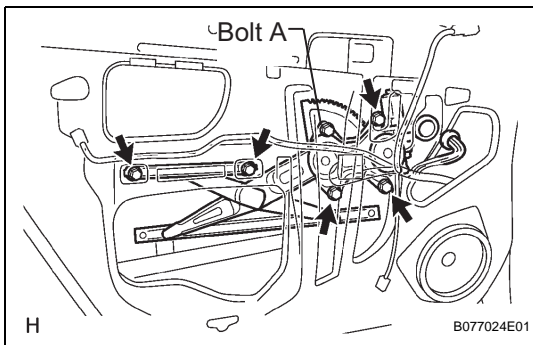


11. INSTALL FRONT DOOR WINDOW REGULATOR SUB-ASSEMBLY LH

- (a) Apply MP grease to the sliding and rotating areas of the window regulator.

NOTICE:

Do not apply grease to the spring of the window regulator.



- (b) Loosely install the bolt labeled A onto the window regulator.
- (c) Insert the window regulator into the door panel. Use the bolt labeled A to hand the window regulator on the door panel.
- (d) Install the window regulator with the 5 bolts and tighten the bolt labeled A.

Torque: 8.0 N*m (82 kgf*cm, 71 in.*lbf)

NOTICE:

Be careful not to drop the window regulator as it may become damaged.

- (e) Connect the window regulator connector.

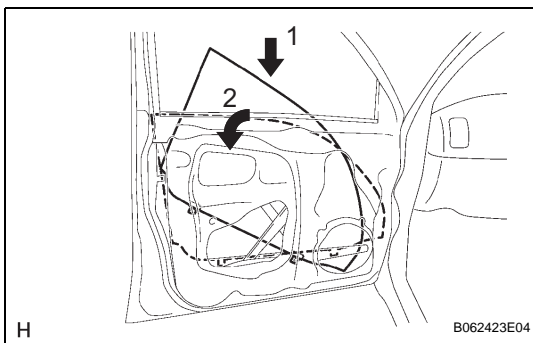
12. INSTALL FRONT DOOR GLASS SUB-ASSEMBLY LH

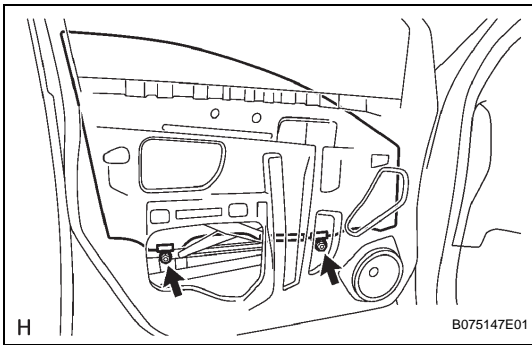
- (a) Install the glass run.

NOTICE:

Be careful not to damage the glass.

- (b) Insert the door glass into the door panel along the glass run as indicated by the arrow marks in the illustration.





- (c) Install the door glass to the window regulator with the 2 bolts.

Torque: 8.0 N*m (82 kgf*cm, 71 in.*lbf)

13. INSTALL DOOR FRAME GARNISH LH

- (a) Attach the claws to install the garnish.

14. INSTALL FRONT DOOR WINDOW FRAME MOULDING REAR LH (See page ET-32)

15. INSTALL FRONT DOOR BELT MOULDING ASSEMBLY LH (See page ET-21)

16. INSTALL FRONT NO. 1 SPEAKER ASSEMBLY (See page AV-188)

17. INSTALL FRONT DOOR SERVICE HOLE COVER LH

- (a) Install the No. 2 service hole cover with the 3 screws.

- (b) Apply butyl tape to the door as shown in the illustration.

- (c) Install a new service hole cover.

HINT:

- When installing the service hole cover, pull out the links and connectors through the service hole cover.
- There should be no wrinkles or folds after attaching the service hole cover.
- After attaching the service hole cover, check the quality of the seal.

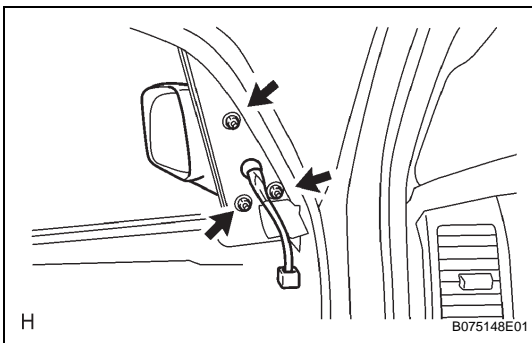
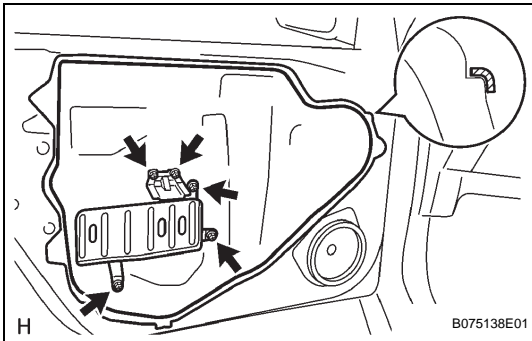
- (d) Install the trim bracket with the 2 screws.

18. INSTALL OUTER REAR VIEW MIRROR ASSEMBLY LH

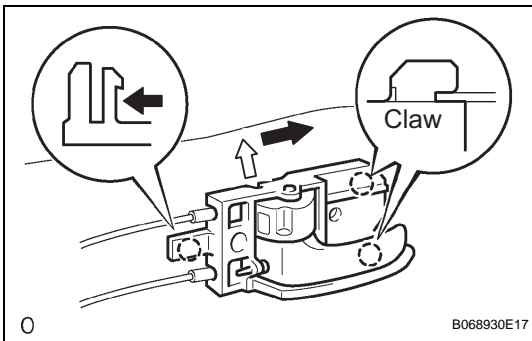
- (a) Install the mirror with the 3 nuts.

Torque: 8.0 N*m (82 kgf*cm, 71 in.*lbf)

- (b) Connect the mirror connector.



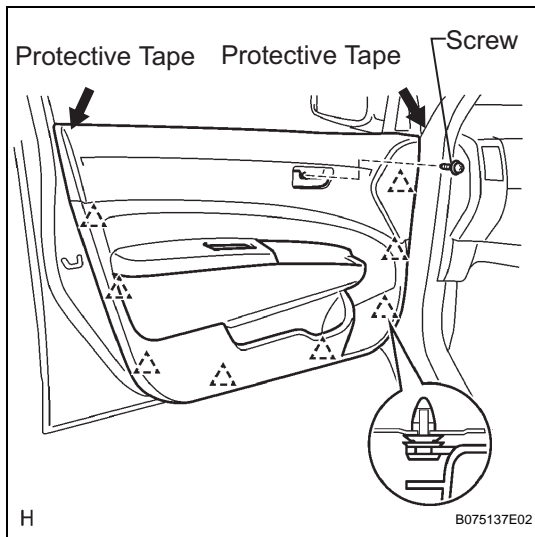
ED



19. INSTALL FRONT DOOR INSIDE HANDLE SUB-ASSEMBLY LH

- (a) Move the inside handle in the direction indicated by the arrow in the illustration to install the inside handle.

- (b) Connect the 2 cables to the inside handle.

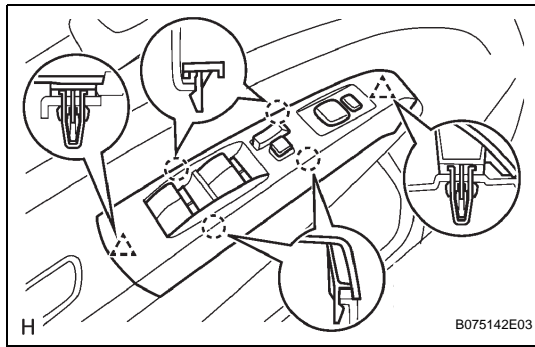


20. INSTALL FRONT DOOR TRIM BOARD SUB-ASSEMBLY LH

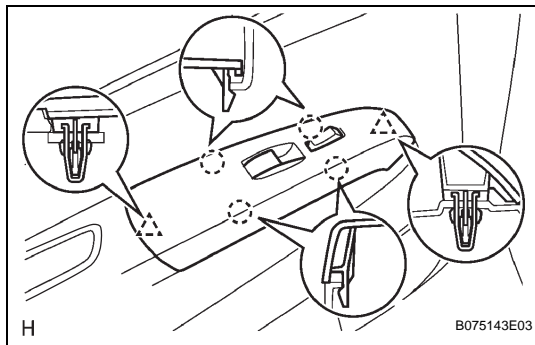
- (a) Attach the 7 clips to install the trim board.
- (b) Install the screw.

21. INSTALL FRONT ARMREST BASE PANEL UPPER LH

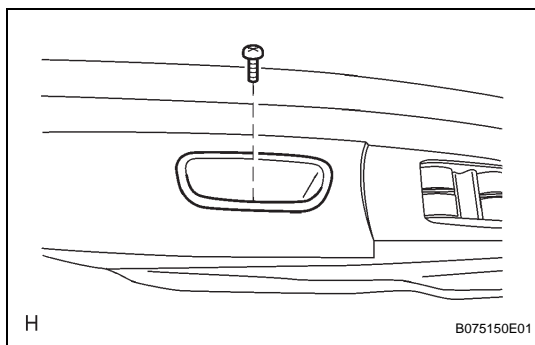
- (a) for Driver's Side:
Install the window regulator master switch to the armrest upper base panel with the 3 screws.
- (b) Connect the switch connector.



- (c) Attach the 2 clips and 4 claws to install the armrest base panel (with the window regulator master switch).
- (d) for Passenger's Side:
Attach the 2 claws to install the power window regulator switch.
- (e) Attach the 2 claws to install the door control switch.
- (f) Connect the connector.

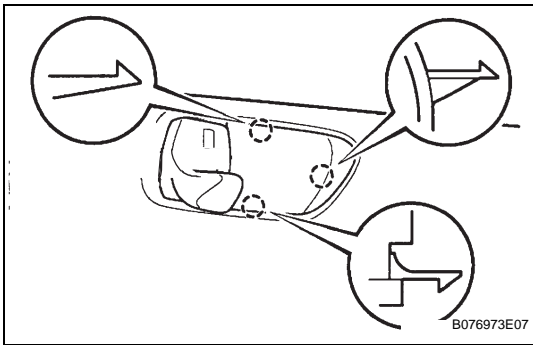


- (g) Attach the 2 clips and 4 claws to install the armrest upper base panel together with the 2 switches.



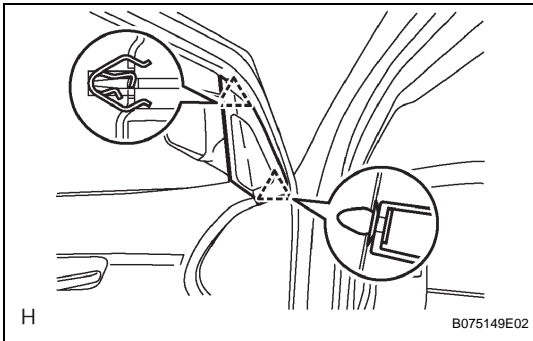
22. INSTALL DOOR PULL HANDLE

- (a) Install the pull handle with the screw.



23. INSTALL FRONT DOOR INSIDE HANDLE BEZEL LH

- (a) Attach the 3 claws to install the bezel.



24. INSTALL FRONT DOOR LOWER FRAME BRACKET GARNISH LH

- (a) Attach the 2 clips to install the garnish.

25. CONNECT CABLE TO BATTERY NEGATIVE TERMINAL

26. INSTALL NO. 3 REAR FLOOR BOARD

27. INSTALL REAR DECK FLOOR BOX

28. INSTALL NO. 2 REAR FLOOR BOARD

29. INSPECT SRS WARNING LIGHT

- (a) Inspect the SRS warning light (see page [RS-31](#)).

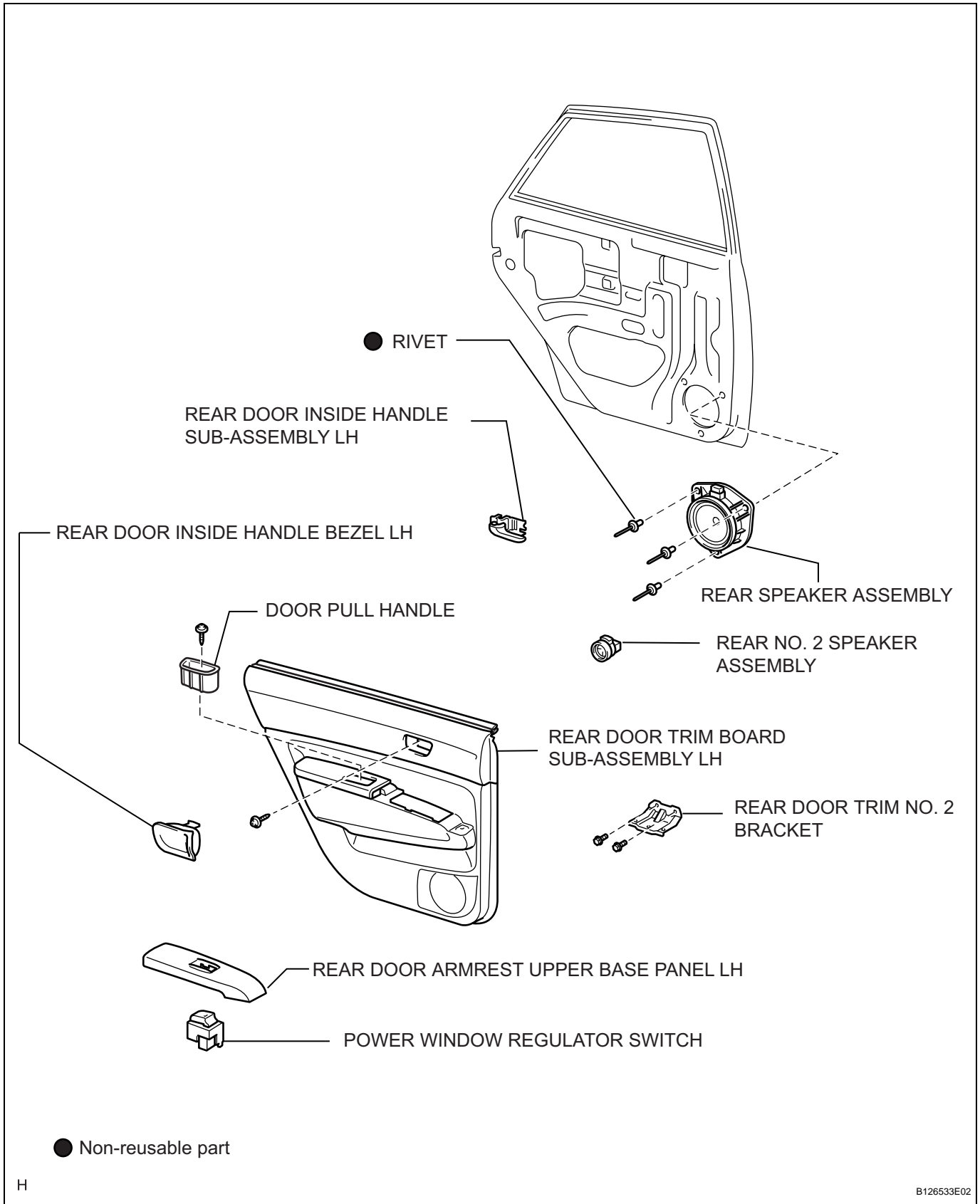
30. PERFORM INITIALIZATION

- (a) Perform initialization (see page [IN-32](#)).

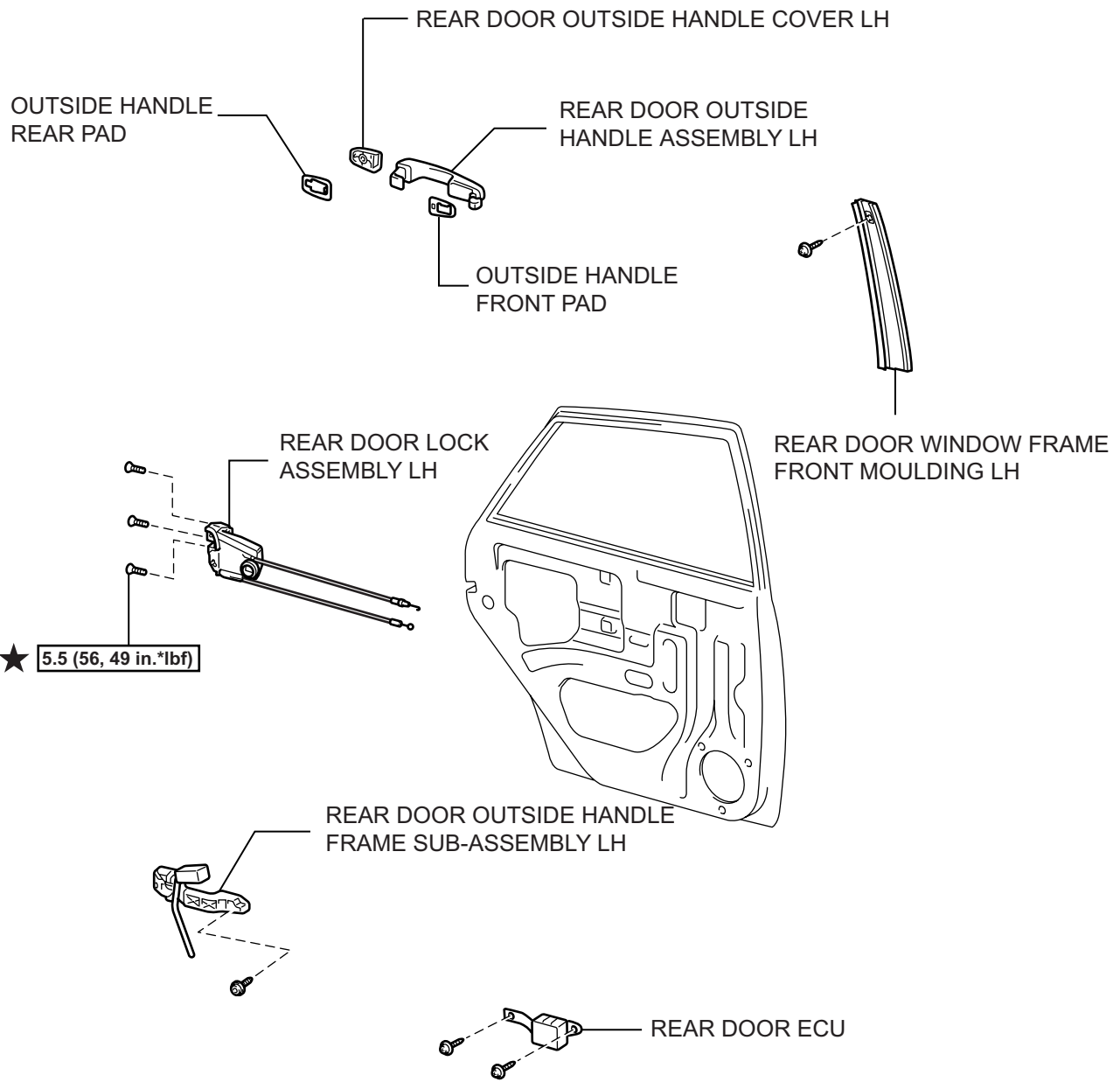
NOTICE:

Certain systems need to be initialized after disconnecting and reconnecting the cable from the negative (-) battery terminal.

REAR DOOR COMPONENTS



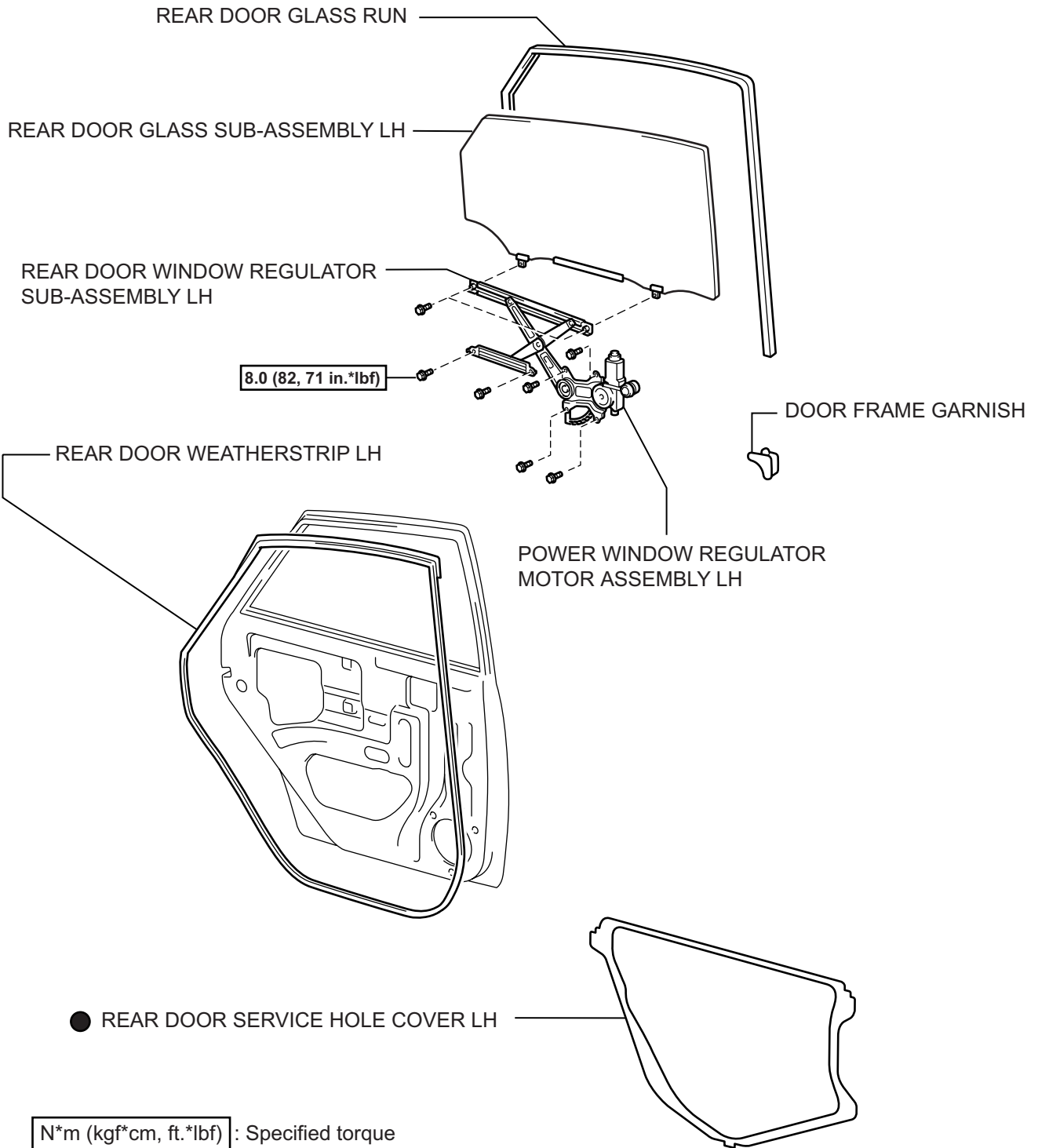
ED



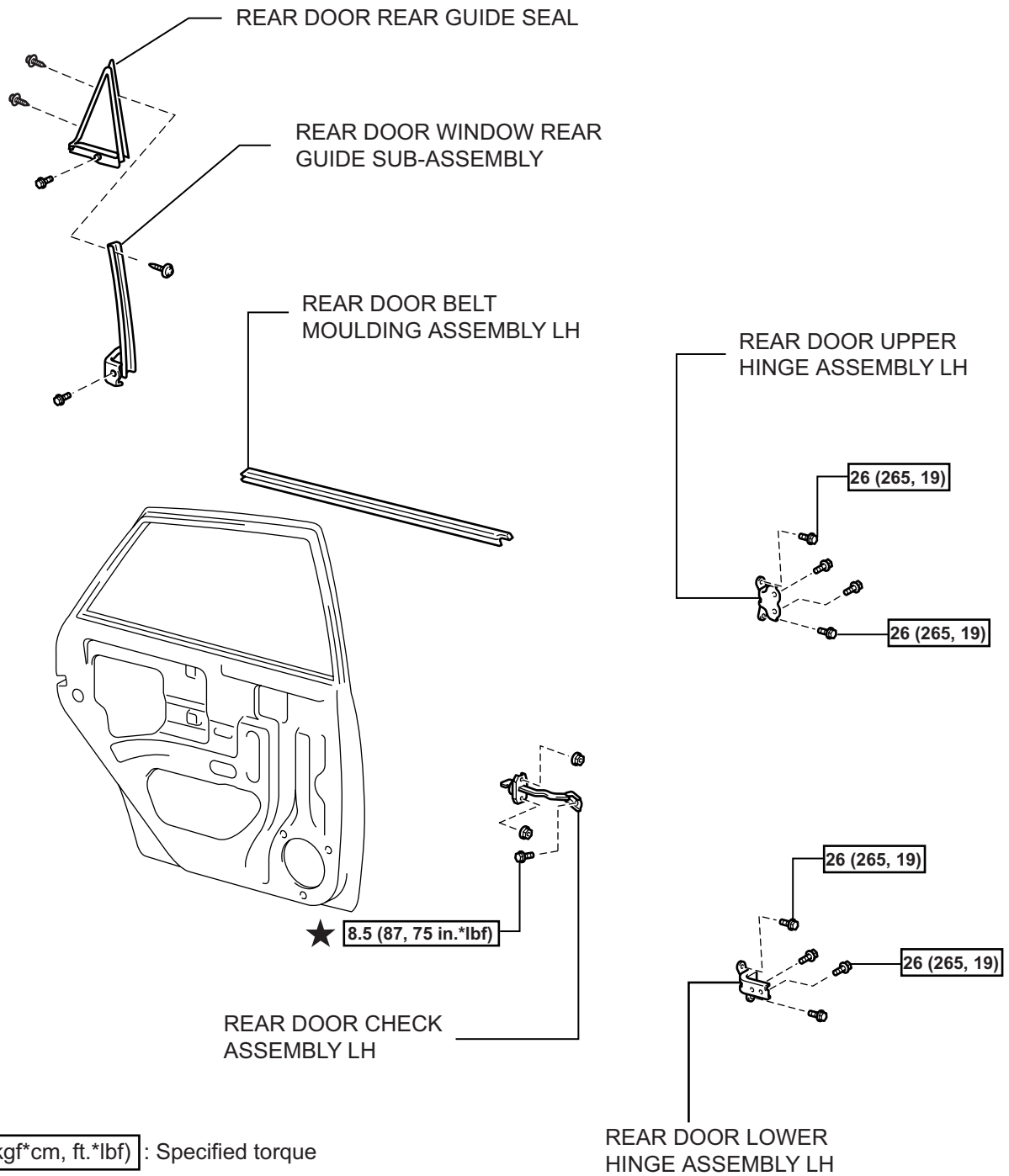
N*m (kgf*cm, ft.*lbf) : Specified torque

★ Precoated part

ED



ED



N*m (kgf*cm, ft.*lbf) : Specified torque

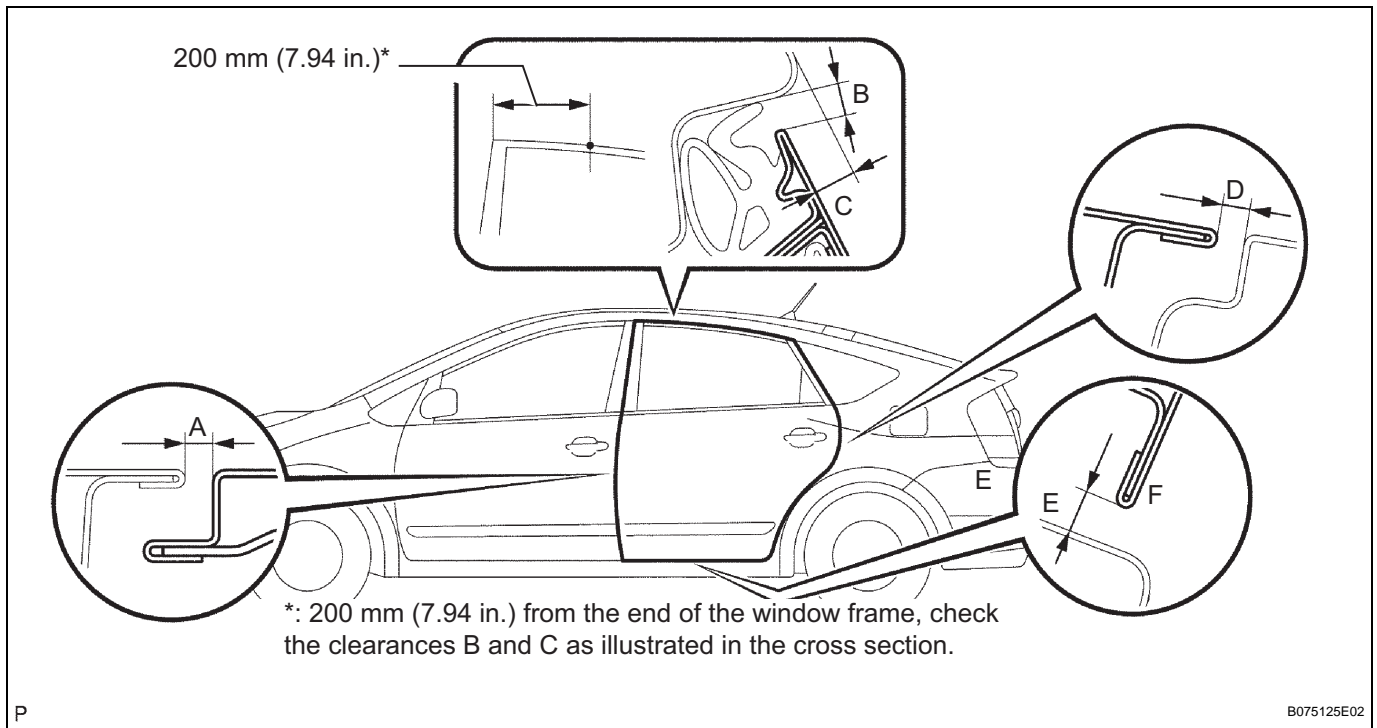
★ Precoated part

ED

ON-VEHICLE INSPECTION

1. INSPECT REAR DOOR SUB-ASSEMBLY

- (a) Check that the clearance measurements of areas A to E are within the standard range.



Standard measurement

Area	Specified Condition	Area	Specified Condition
A	4.0 \pm 1.5 mm (0.157 \pm 0.059 in.)	D	4.0 \pm 1.5 mm (0.157 \pm 0.059 in.)
B	5.2 \pm 1.5 mm (0.205 \pm 0.059 in.)	E	5.7 \pm 1.5 mm (0.224 \pm 0.059 in.)
C	6.6 \pm 1.5 mm (0.260 \pm 0.059 in.)	-	-

DISASSEMBLY

HINT:

- Use the same procedures for the RH side and LH side.
- The procedures listed below are for the LH side.

1. REMOVE NO. 2 REAR FLOOR BOARD
2. REMOVE REAR FLOOR DECK BOX
3. REMOVE NO. 3 REAR FLOOR BOARD ASSEMBLY
4. DISCONNECT CABLE FROM NEGATIVE BATTERY TERMINAL

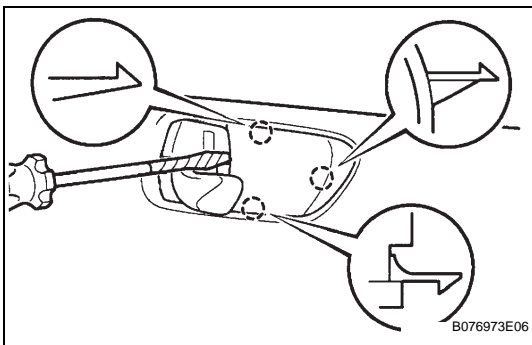
CAUTION:

Wait at least 90 seconds after disconnecting the cable from the negative (-) battery terminal to prevent airbag and seat belt pretensioner activation.

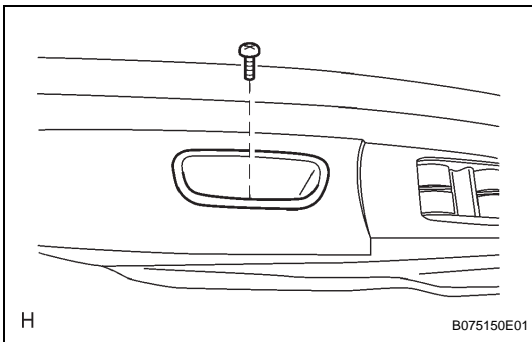
5. REMOVE REAR DOOR INSIDE HANDLE BEZEL LH
 - (a) Using a screwdriver, detach the 3 claws and remove the bezel.

HINT:

Tape the screwdriver tip before use.



6. REMOVE DOOR PULL HANDLE
 - (a) Remove the screw and pull handle.



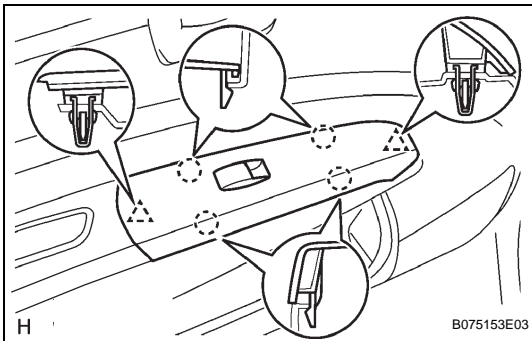
7. REMOVE REAR DOOR ARMREST UPPER BASE PANEL LH

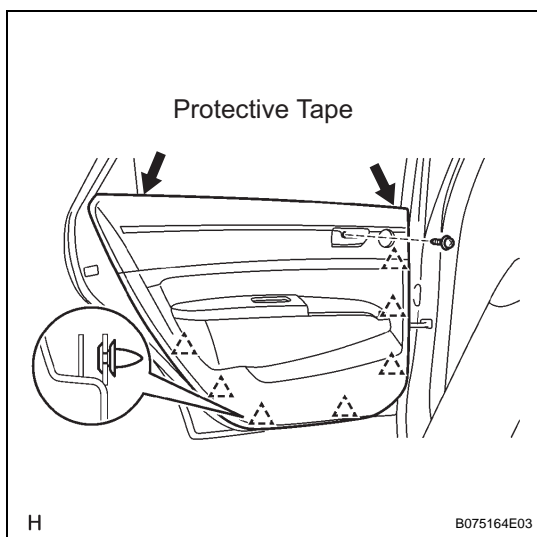
- (a) Using a screwdriver, detach the 2 claws and remove the power window regulator switch.

HINT:

Tape the screwdriver tip before use.

- (b) Disconnect the switch connector.



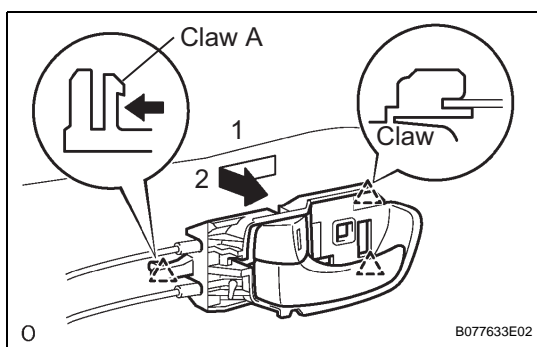


8. REMOVE REAR DOOR TRIM BOARD SUB-ASSEMBLY LH

- (a) Remove the screw.
- (b) Using a screwdriver, detach the 7 clips and remove the trim board.

HINT:

- In order to prevent the door panel from being damaged, use protective tape to cover the areas indicated by the arrow marks in the illustration.
- If the clip cannot be reached with the screwdriver, pull on the lower trim to remove it.



9. REMOVE REAR DOOR INSIDE HANDLE SUB-ASSEMBLY LH

- (a) Using a screwdriver, detach the claw labeled A as shown in the illustration.

HINT:

Tape the screwdriver tip before use.

- (b) Move the inside handle in the direction indicated by the arrow mark in the illustration. This will release the 2 claws and allow removal of the inside handle.
- (c) Disconnect the 2 cables from the inside handle.

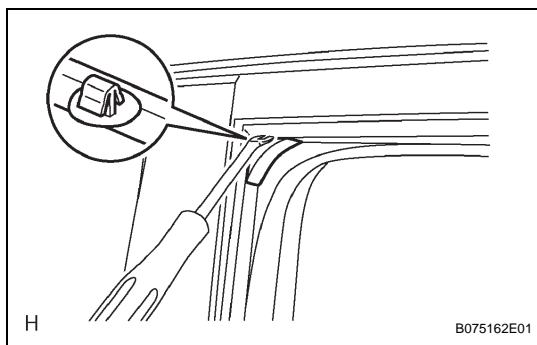
10. REMOVE REAR SPEAKER ASSEMBLY (See page [AV-195](#))

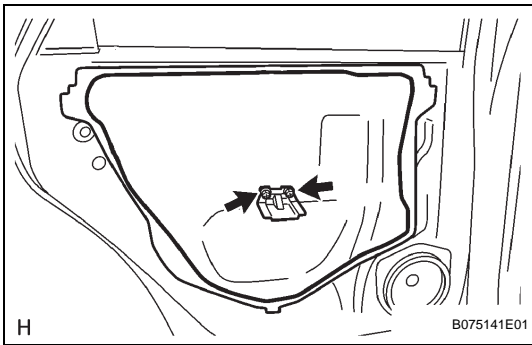
11. REMOVE REAR DOOR BELT MOULDING ASSEMBLY LH (See page [ET-23](#))

12. REMOVE REAR DOOR WINDOW FRAME FRONT MOULDING LH (See page [ET-23](#))

13. REMOVE DOOR FRAME GARNISH LH

- (a) Using a clip remover, detach the claws and remove the garnish.

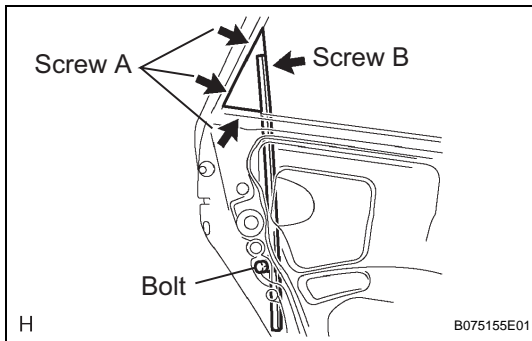


**14. REMOVE REAR DOOR SERVICE HOLE COVER LH**

- (a) Remove the 2 screws and No. 2 bracket.
- (b) Remove the service hole cover.

NOTICE:

Remove the remaining tape on the door side.

**15. REMOVE REAR DOOR WINDOW REAR GUIDE SUB-ASSEMBLY LH**

- (a) Remove the 3 screws labeled A, bolt and window guide rear together with the guide seal.
- (b) Remove the screw labeled B and rear door guide seal.

16. REMOVE REAR DOOR GLASS SUB-ASSEMBLY LH**HINT:**

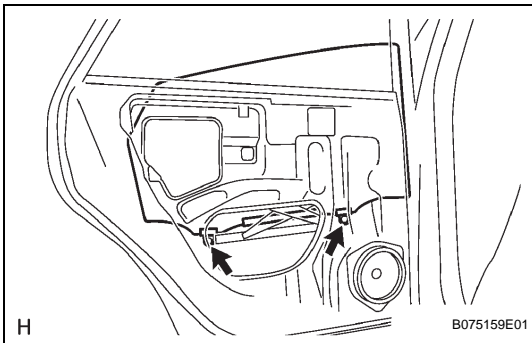
Insert cushions inside the door panel to prevent the glass from being scratched.

- (a) Connect the power window regulator switch.
- (b) Remove the 2 bolts and glass.

NOTICE:

Be careful when removing the bolts as the glass may fall and become damaged.

- (c) Disconnect the power window regulator switch.

**17. REMOVE REAR DOOR WINDOW REGULATOR SUB-ASSEMBLY LH**

- (a) Disconnect the connector.
- (b) Remove the 6 bolts and regulator.

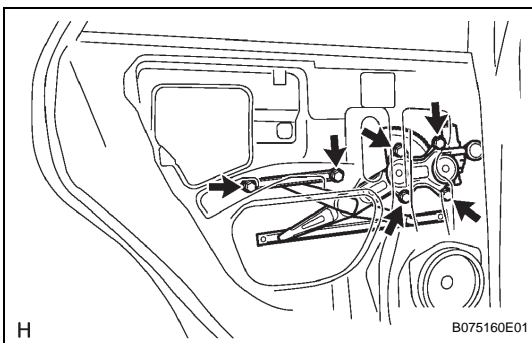
NOTICE:

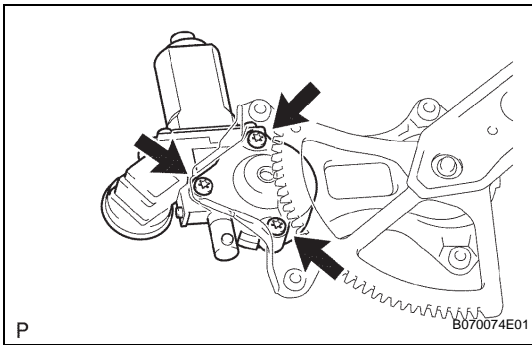
Be careful when removing the bolts as the window regulator may fall and become damaged.

HINT:

Remove the window regulator through the service hole.

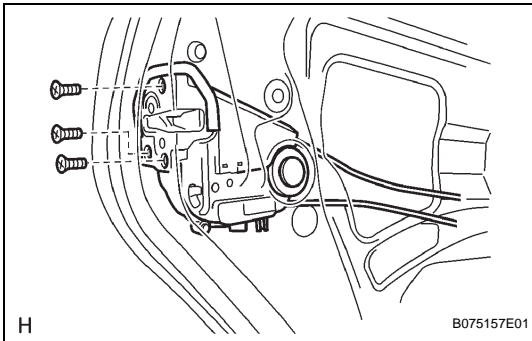
- (c) Remove the glass ran.





18. REMOVE POWER WINDOW REGULATOR MOTOR ASSEMBLY LH

- (a) Using a T25 "torx" driver, remove the 3 screws and motor.



19. REMOVE REAR DOOR LOCK ASSEMBLY LH

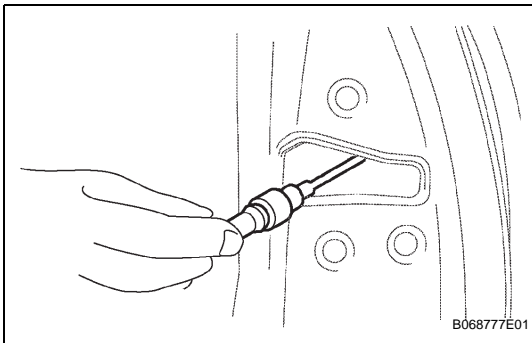
- (a) Using a T30 "torx" wrench, remove the 3 screws and door lock.

NOTICE:

Be careful when removing the bolts as the door lock may fall and become damaged.

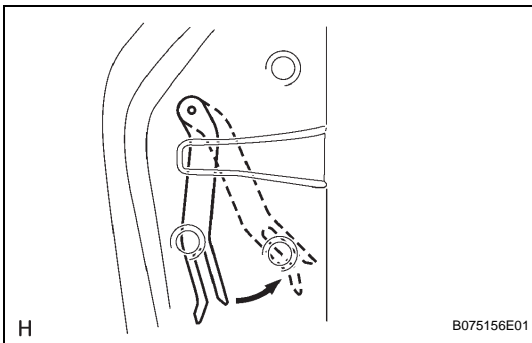
HINT:

Remove the door lock through the service hole.



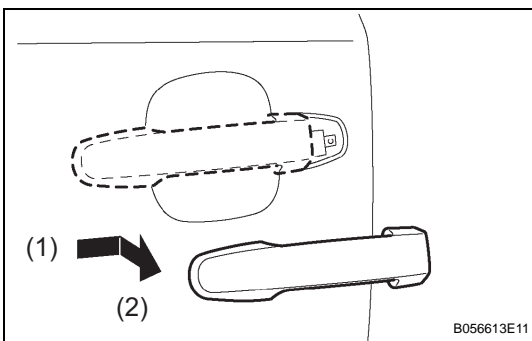
20. REMOVE REAR DOOR OUTSIDE HANDLE COVER LH

- (a) Using a T30 "torx" wrench, loosen the screw and remove the outside handle cover.



21. REMOVE REAR DOOR OUTSIDE HANDLE ASSEMBLY LH

- (a) Remove the handle by sliding and pulling it in the direction indicated by the arrow mark in the illustration.

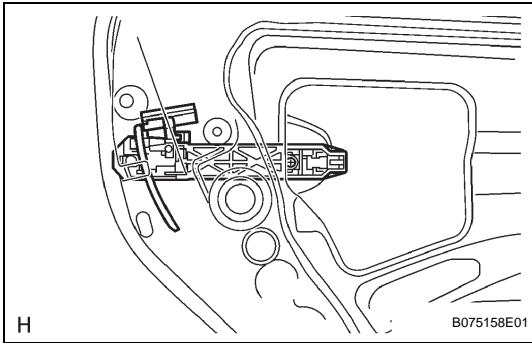


- (b) Pushing and pulling the outside handle in the arrow mark direction as shown in the illustration, remove the outside handle.

NOTICE:

If the release plate is not pulled and held when removing the outside handle, the release plate will interfere with the outside handle and become damaged.

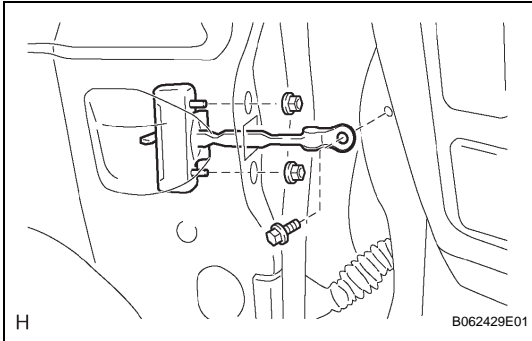
- (c) Remove the outside handle pad front and rear.

**22. REMOVE REAR DOOR OUTSIDE HANDLE FRAME SUB-ASSEMBLY LH**

- (a) Using a T30 "torx" wrench, loosen the screw.
- (b) Slide the outside handle frame and remove it.

HINT:

Remove the door check through the service hole.

**23. REMOVE REAR DOOR CHECK ASSEMBLY LH**

- (a) Remove the 2 nuts, bolt and door check.

HINT:

Remove the door check through the service hole.

24. REMOVE REAR DOOR WEATHERSTRIP LH

- (a) Using a clip remover, detach the clip and remove the weatherstrip.

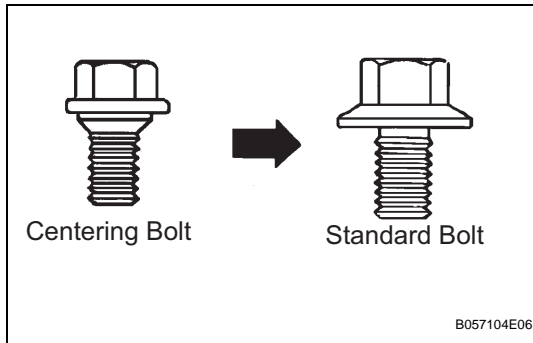
HINT:

If the clips are damaged, replace them with new clips.

ADJUSTMENT

HINT:

- Before adjusting the door position for vehicles equipped with the side airbags and curtain shield airbags, be sure to disconnect the battery. After adjustment, inspect the SRS warning light, the side airbag system and the curtain shield airbag system for normal operation (see page RS-31). Then initialize both systems (see page IN-32).
- Use the same procedure for the RH side and LH side.
- The procedures listed below are for the LH side.
- Centering bolts are used to mount the door hinge to the vehicle body and door. The door cannot be adjusted with the centering bolts on. Substitute the centering bolts with standard bolts (w/ washers) when making adjustments.



1. ADJUST REAR DOOR SUB-ASSEMBLY

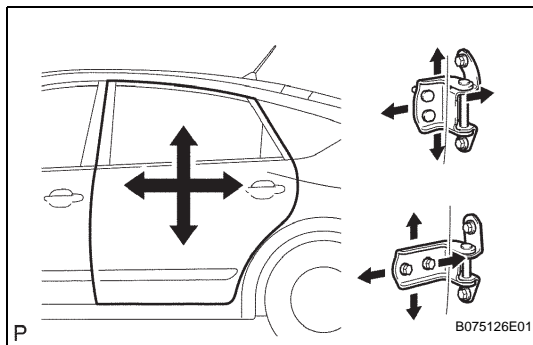
- (a) Disconnect the negative (-) terminal cable from the battery.

CAUTION:

Work must be started at least 90 seconds after the power switch is turned OFF and the negative (-) terminal cable is disconnected from the battery. (The SRS is equipped with a back-up power source. If work is started within 90 seconds of disconnecting the negative (-) terminal battery and turning the power switch OFF, the SRS may deploy.)

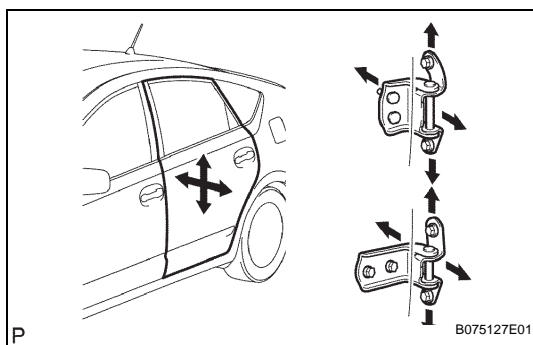
- (b) Loosen the body side's hinge bolts and adjust the door's position.
- (c) Tighten the body side's hinge bolts after the adjustment.

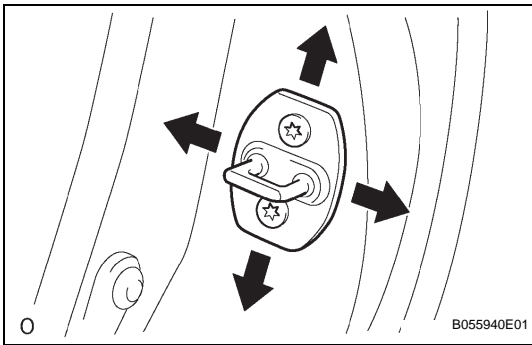
Torque: 26 N*m (265 kgf*cm, 19 ft.*lbf)



- (d) Loosen the door side's hinge bolts and adjust the door's position.
- (e) Tighten the door side's hinge bolts after the adjustment.

Torque: 26 N*m (265 kgf*cm, 19 ft.*lbf)





- (f) Using a T40 "torx" wrench, adjust the striker position by slightly loosening the striker mounting screws and hitting the striker with a plastic-faced hammer.
- (g) Tighten the striker mounting screws after the adjustment.
Torque: 23 N*m (235 kgf*cm, 17 ft.*lbf)
- (h) Connect the negative (-) terminal cable to the battery.
- (i) Check which systems need to be initialized and perform initialization (see page [IN-32](#)).
- (j) Check the SRS warning light (see page [RS-31](#)).

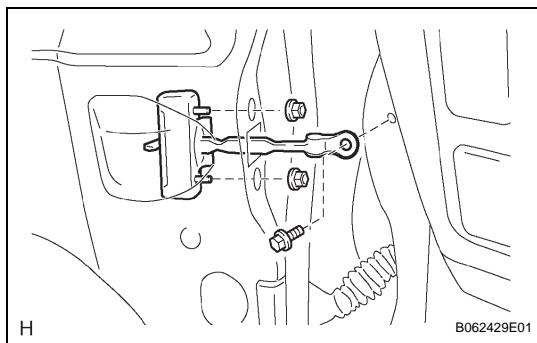
REASSEMBLY

HINT:

- Use the same procedures for the RH side and LH side.
- The procedures listed below are for the RH side and LH side.
- A bolt without a torque specification is shown in the standard bolt chart (see page [SS-2](#)).

1. INSTALL REAR DOOR WEATHERSTRIP LH

- (a) Install the weatherstrip and attach the clips.



2. INSTALL REAR DOOR CHECK ASSEMBLY LH

- (a) Apply MP grease to the sliding areas of the door check.
- (b) Install the door check to the door panel with the 2 nuts.

Torque: 5.5 N*m (56 kgf*cm, 49 in.*lbf)

- (c) Apply adhesive to the bolt.

Adhesive:

Toyota Genuine Adhesive 1324, Three Bond 1324 or equivalent

- (d) Install the door check to the body panel with the bolt.

Torque: 30 N*m (306 kgf*cm, 22 ft.*lbf)

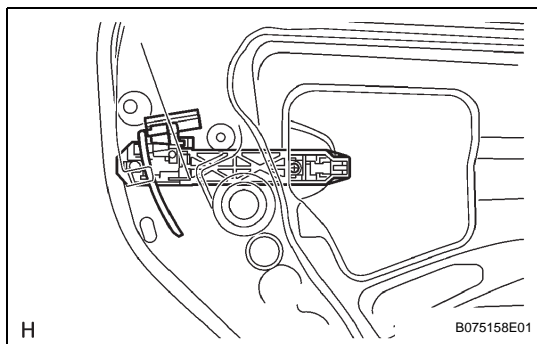
HINT:

Install the door check so that the rivet head is facing up.

3. INSTALL REAR DOOR OUTSIDE HANDLE FRAME SUB-ASSEMBLY LH

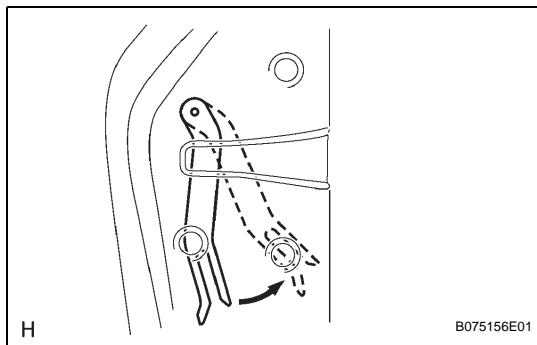
- (a) Using a T30 "torx" wrench, install the handle frame with the screw.

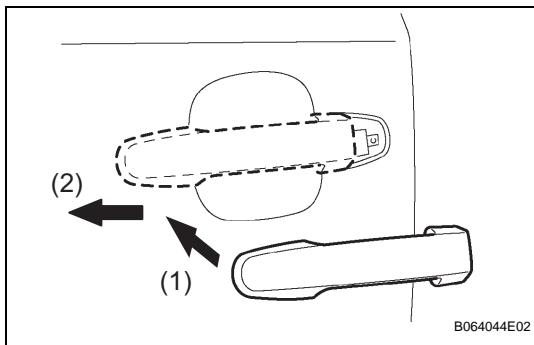
Torque: 7.0 N*m (56 kgf*cm, 49 in.*lbf)



4. INSTALL REAR DOOR OUTSIDE HANDLE ASSEMBLY LH

- (a) Install the outside handle pad front and rear.
- (b) Pull and hold the release plate of the outside handle frame, as shown in the illustration.

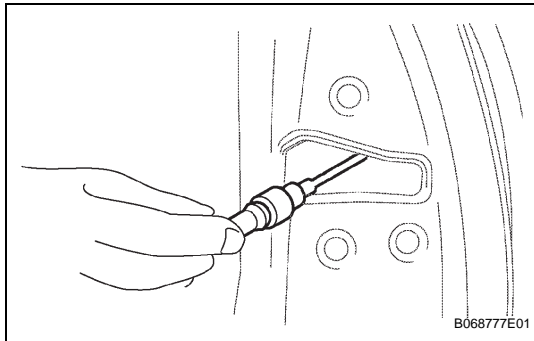




- (c) Install the handle by pushing it in the direction of the arrow marks in the illustration.

NOTICE:

If the release plate is not pulled and held when installing the outside handle, the release plate will interfere with the outside handle and become damaged.



5. INSTALL REAR DOOR OUTSIDE HANDLE COVER RH

- (a) Using a T30 "torx" wrench, install the outside handle handle cover with the screw.

Torque: 4.0 N*m (41 kgf*cm, 35 in.*lbf)

6. INSTALL REAR DOOR LOCK ASSEMBLY LH

- (a) Apply MP grease to the sliding and rotating areas of the door lock.

- (b) Install new door lock wire harness packing.

NOTICE:

- When reinstalling the door lock, always use new packing.
- Do not allow grease or dirt to contaminate the gap between the door panel and packing.
- Old packing or damaged packing cannot effectively protect against water, which can damage the door lock.

- (c) Engage the lock with the release plate of the outside handle, and then set it to the door panel.

NOTICE:

Make sure that the release plate of the outside handle frame is securely engaged with the lock.

- (d) Apply adhesive to the 3 screws.

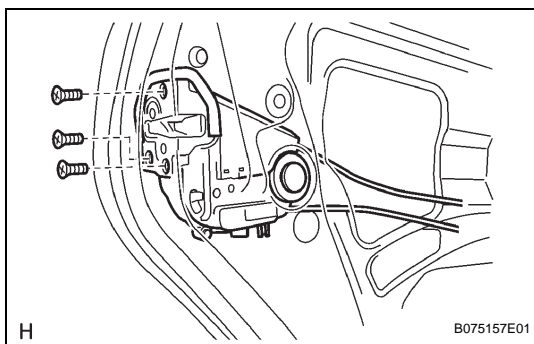
Adhesive:

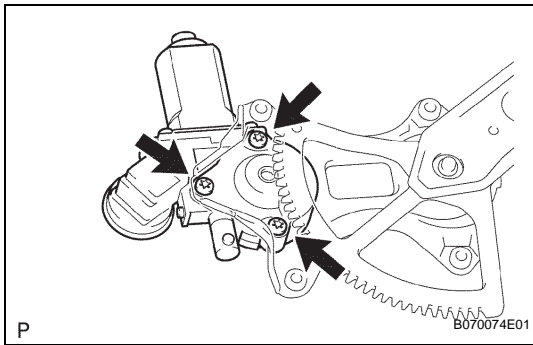
Toyota genuine adhesive 1324, THREE BOND 1324 or equivalent

- (e) Using a T30 "torx" wrench, install the door lock with the 3 screws.

Torque: 5.0 N*m (51 kgf*cm, 42 in.*lbf)

- (f) Connect the door lock connector.

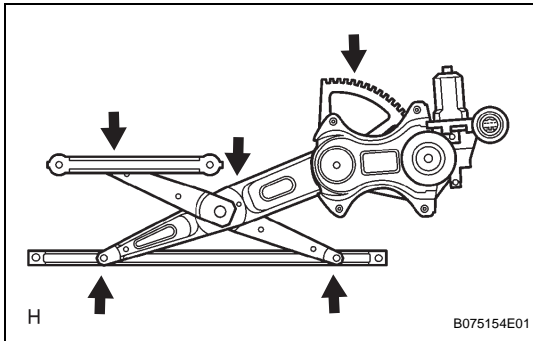




7. INSTALL POWER WINDOW REGULATOR MOTOR ASSEMBLY

- (a) Using a T25 "torx" driver, install the motor with the 3 screws.

Torque: 5.4 N*m (55 kgf*cm, 48 in.*lbf)

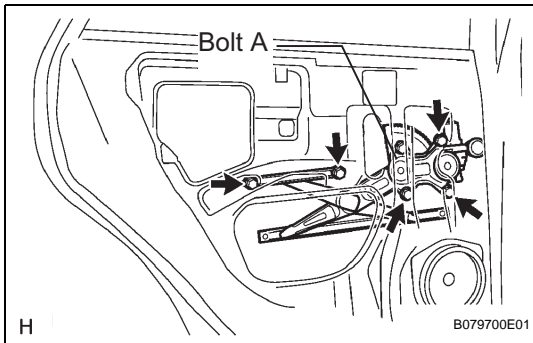


8. INSTALL REAR DOOR WINDOW REGULATOR SUB-ASSEMBLY LH

- (a) Apply MP grease to the sliding and rotating areas of the window regulator.

NOTICE:

Do not apply grease to the spring of the window regulator.



- (b) Loosely install the bolt labeled A onto the window regulator.

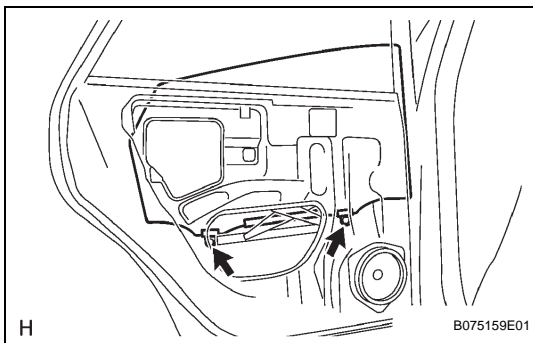
- (c) Insert the window regulator into the door panel. Use the bolt labeled A to hang the window regulator on the door panel.

- (d) Install the window regulator with the 5 bolts and tighten the bolt labeled A.

NOTICE:

Be careful not to drop the window regulator as it may become damaged.

- (e) Connect the window regulator connector.



9. INSTALL REAR DOOR GLASS SUB-ASSEMBLY LH

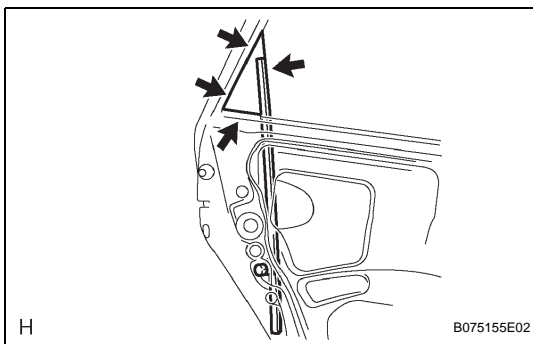
- (a) Install the glass run.

NOTICE:

Be careful not to damage the glass.

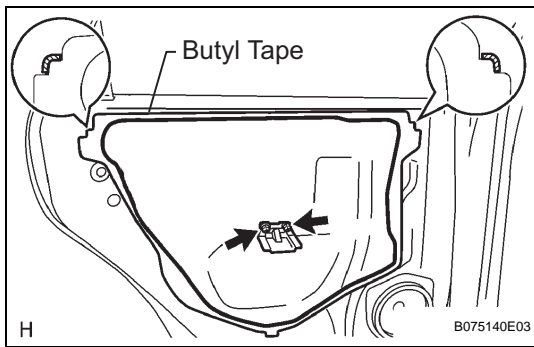
- (b) Install the door glass to the window regulator with the 2 bolts.

Torque: 8.0 N*m (82 kgf*cm, 71 in.*lbf)

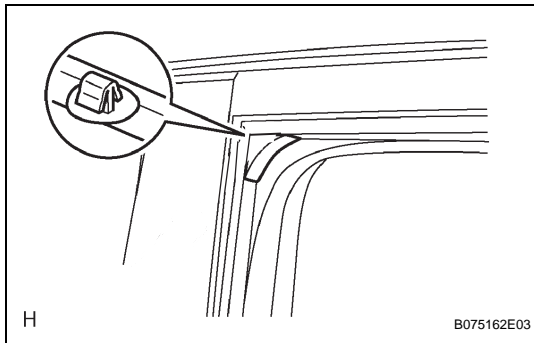


10. INSTALL REAR DOOR WINDOW REAR GUIDE SUB-ASSEMBLY LH

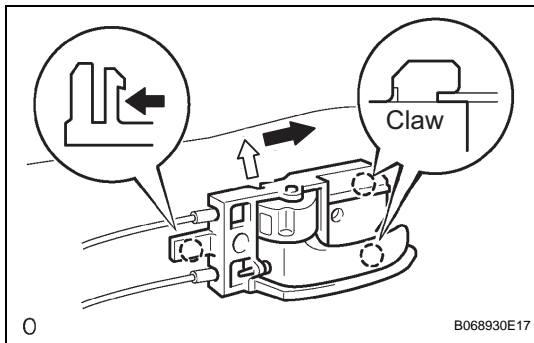
- (a) Install the window guide rear together with the rear door guide seal.

**11. INSTALL REAR DOOR SERVICE HOLE COVER LH**

- (a) Apply butyl tape to the door as shown in the illustration.
- (b) Install a new service hole cover.
 - HINT:
 - When installing the service hole cover, pull out the links and connectors through the service hole cover.
 - There should be no wrinkles or folds after attaching the service hole cover.
 - After attaching the service hole cover, check the sealing quality.
- (c) Install the trim bracket with the 2 screws.

**12. INSTALL DOOR FRAME GARNISH LH**

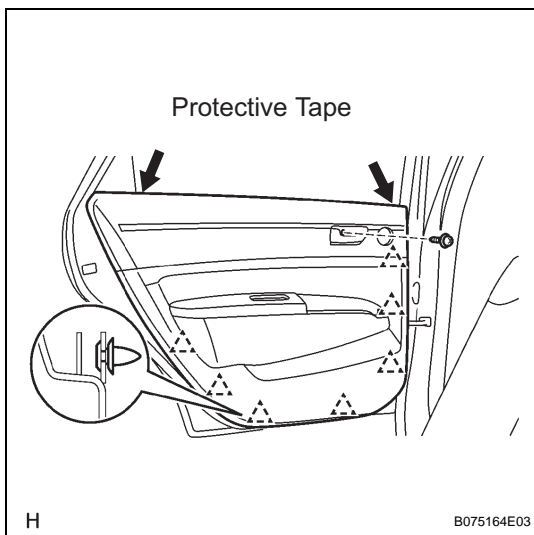
- (a) Attach the claw to install the garnish.

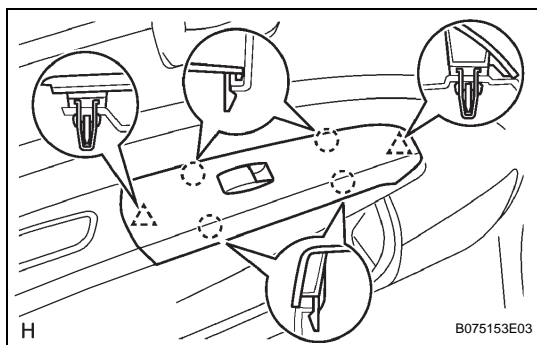
13. INSTALL REAR DOOR WINDOW FRAME FRONT MOULDING LH (See page ET-35)**14. INSTALL REAR DOOR BELT MOULDING ASSEMBLY LH (See page ET-23)****15. INSTALL REAR SPEAKER ASSEMBLY (See page AV-195)****16. INSTALL REAR DOOR INSIDE HANDLE SUB-ASSEMBLY LH**

- (a) Connect the 2 cables from the inside handle.
- (b) Move the inside handle in the direction indicated by the arrow in the illustration to install the inside handle.

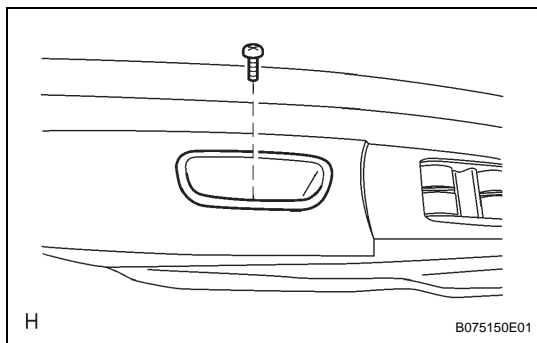
17. INSTALL REAR DOOR TRIM BOARD SUB-ASSEMBLY LH

- (a) Attach the 7 clips and install the trim board.
- (b) Install the screw.



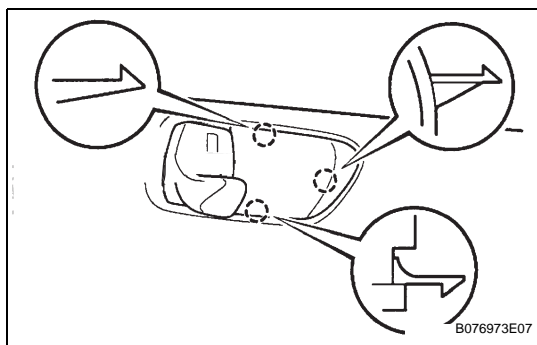


18. INSTALL REAR DOOR ARMREST UPPER BASE PANEL LH



19. INSTALL DOOR PULL HANDLE

- (a) Install the pull handle with the screw.



20. INSTALL REAR DOOR INSIDE HANDLE BEZEL LH

- (a) Attach the 3 claws to install the bezel.

21. CONNECT CABLE TO BATTERY NEGATIVE TERMINAL

22. INSTALL NO. 3 REAR FLOOR BOARD ASSEMBLY

23. INSTALL REAR DECK FLOOR BOX

24. INSTALL NO. 2 REAR FLOOR BOARD

25. INSPECT SRS WARNING LIGHT

- (a) Inspect the SRS warning light (see page [RS-31](#)).

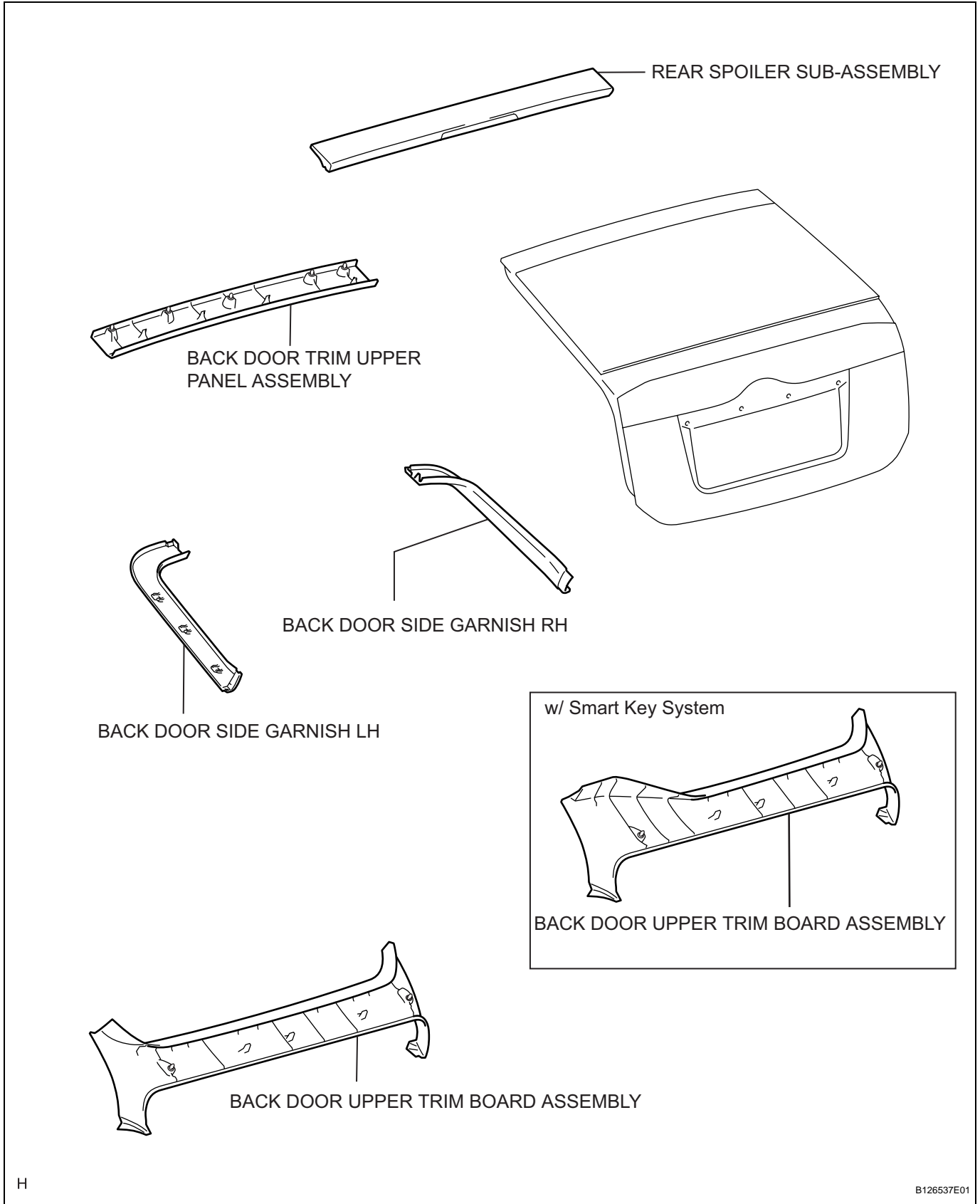
26. PERFORM INITIALIZATION

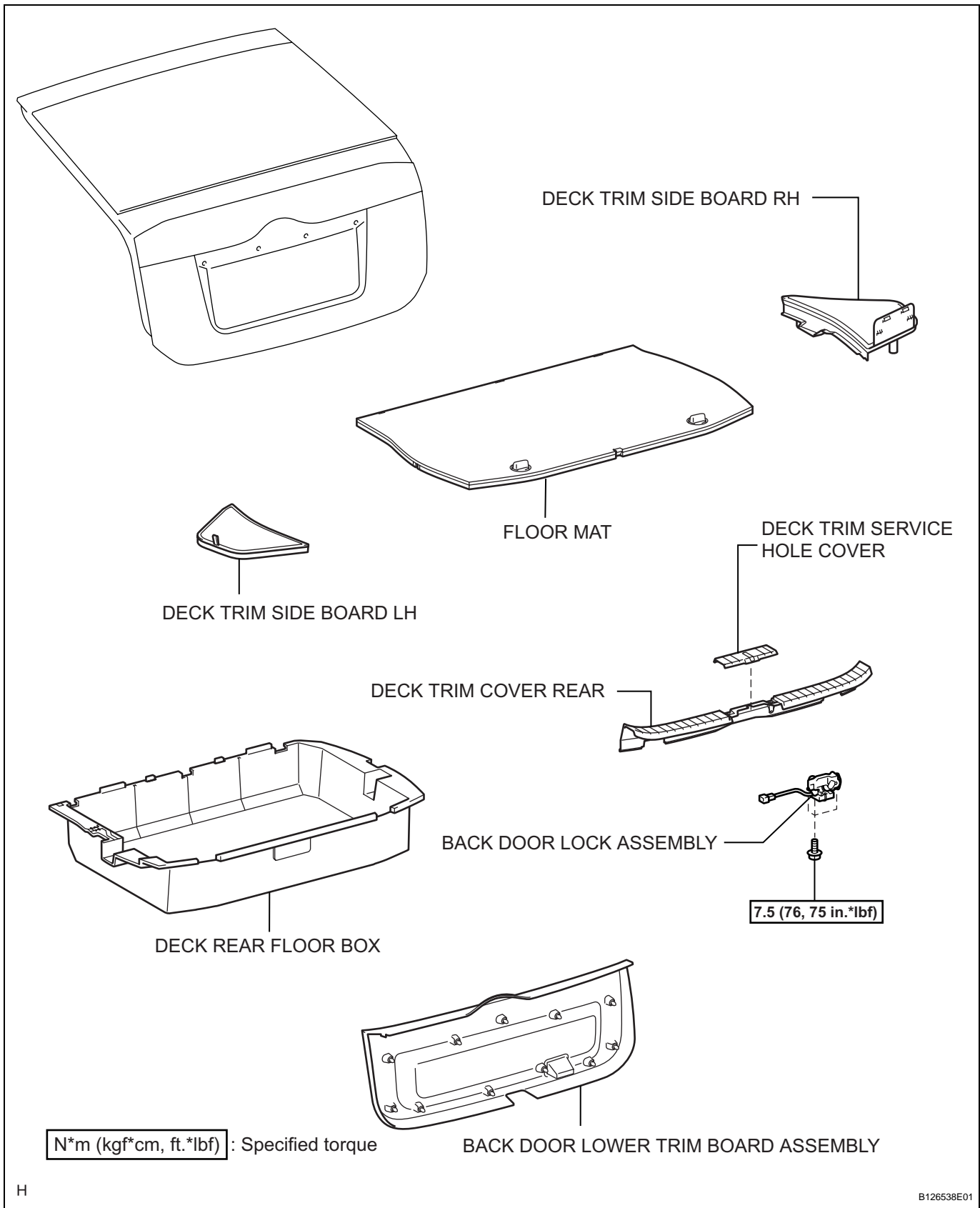
- (a) Perform initialization (see page [IN-32](#)).

NOTICE:

Certain systems need to be initialized after disconnecting and reconnecting the cable from the negative (-) battery terminal.

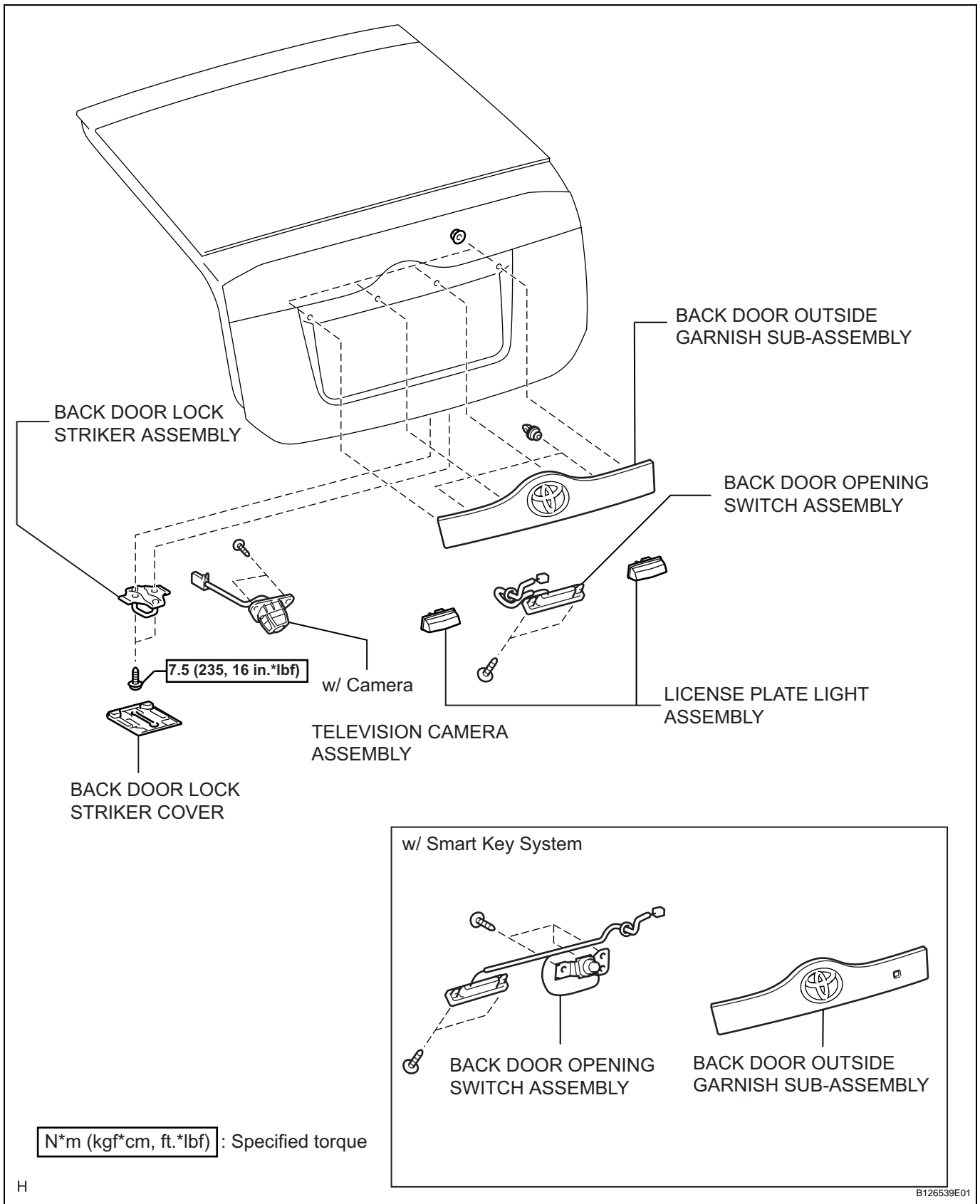
BACK DOOR COMPONENTS





ED

H

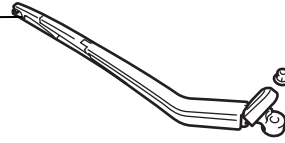


ED

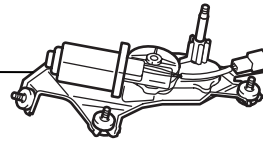
H

B126539E01

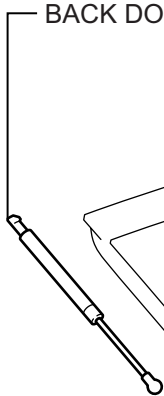
ARM AND BLADE ASSEMBLY



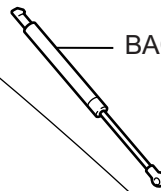
REAR WIPER MOTOR ASSEMBLY



BACK DOOR STAY ASSEMBLY LH



BACK DOOR STAY ASSEMBLY RH



7.5 (235, 16 in.*lbf)

BACK DOOR STOPPER RH



7.5 (235, 16 in.*lbf)

BACK DOOR STOPPER LH



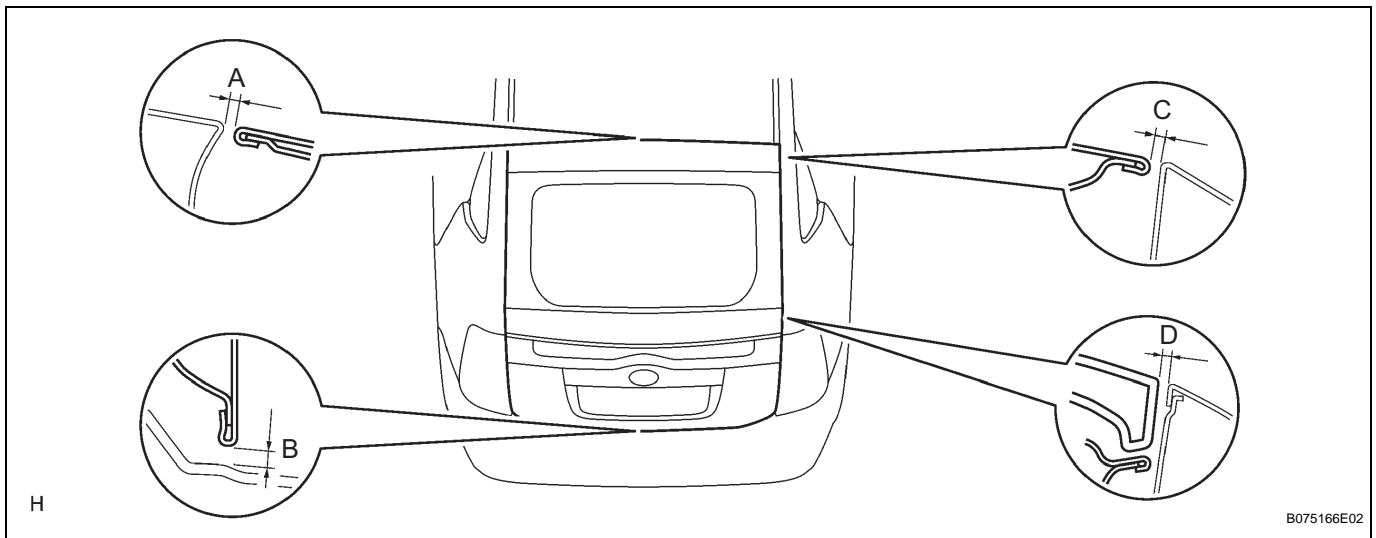
N*m (kgf*cm, ft.*lbf) : Specified torque

ED

ON-VEHICLE INSPECTION

1. INSPECT BACK DOOR

- (a) Check that the clearance measurements of areas A to D are within the standard range.



Standard measurement

Area	Specified Condition	Area	Specified Condition
A	6.6 \pm 1.5 mm (0.260 \pm 0.059 in.)	C	4.6 \pm 1.5 mm (0.181 \pm 0.059 in.)
B	5.8 \pm 1.5 mm (0.228 \pm 0.059 in.)	D	4.8 \pm 1.5 mm (0.189 \pm 0.059 in.)

DISASSEMBLY

1. REMOVE NO. 2 REAR FLOOR BOARD
2. REMOVE REAR DECK FLOOR BOX
3. REMOVE NO. 3 REAR FLOOR BOARD
4. DISCONNECT CABLE FROM NEGATIVE BATTERY TERMINAL

CAUTION:

Wait at least 90 seconds after disconnecting the cable from the negative (-) battery terminal to prevent airbag and seat belt pretensioner activation.

5. REMOVE BACK DOOR LOWER TRIM BOARD ASSEMBLY

- (a) Using a screwdriver, detach the 11 clips and remove the lower trim board.

HINT:

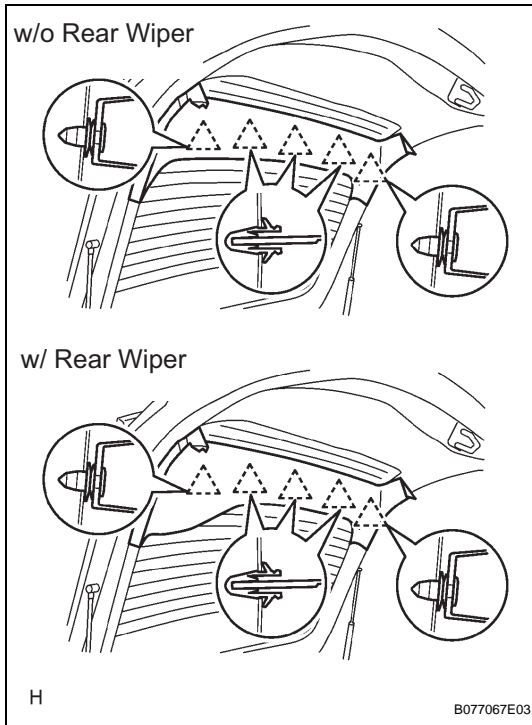
Tape the screwdriver tip before use.

6. REMOVE BACK DOOR UPPER TRIM BOARD ASSEMBLY

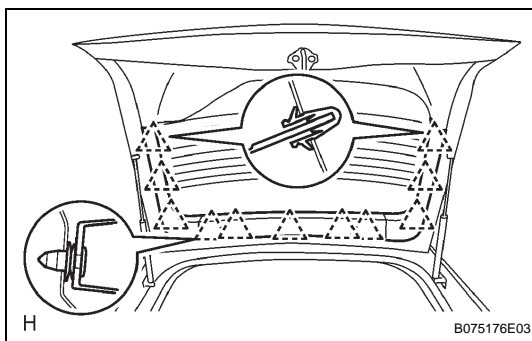
- (a) Using a screwdriver, detach the 5 clips and remove the upper trim board.

HINT:

Tape the screwdriver tip before use.



ED



7. REMOVE BACK DOOR TRIM UPPER PANEL ASSEMBLY

- (a) Using a screwdriver, detach the 5 clips and remove the trim panel.

HINT:

Tape the screwdriver tip before use.

8. REMOVE BACK DOOR SIDE GARNISH LH

- (a) Using a screwdriver, detach the 3 clips and remove the garnish.

HINT:

Tape the screwdriver tip before use.

9. REMOVE BACK DOOR SIDE GARNISH RH

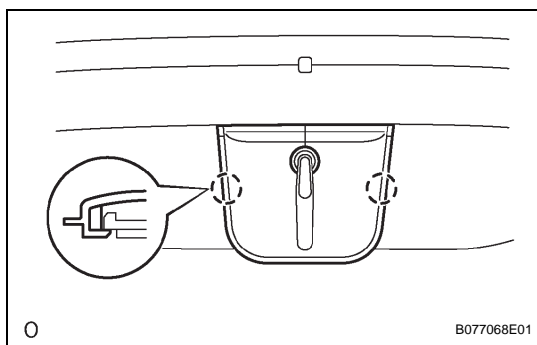
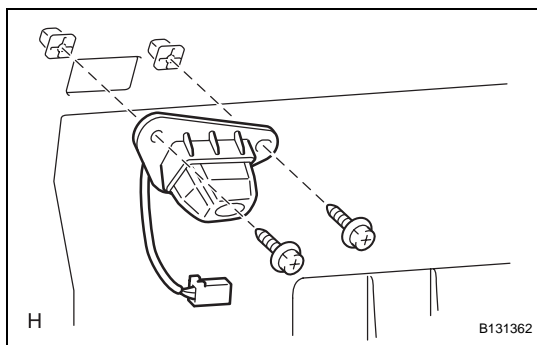
- (a) Using a screwdriver, detach the 3 clips and remove the garnish.

HINT:

Tape the screwdriver tip before use.

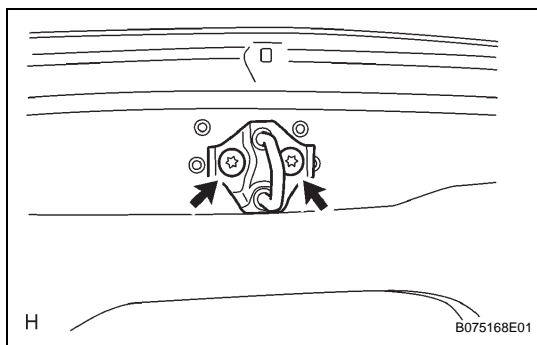
10. REMOVE REAR SPOILER SUB-ASSEMBLY (See page [ET-17](#))**11. REMOVE REAR WIPER MOTOR ASSEMBLY (See page [WW-22](#))****12. REMOVE BACK DOOR OUTSIDE GARNISH SUB-ASSEMBLY (See page [ET-37](#))****13. REMOVE TELEVISION CAMERA ASSEMBLY**

- (a) Remove the 2 screws.
 (b) Disconnect the connector and remove the camera.

14. REMOVE LICENSE PLATE LIGHT ASSEMBLY (See page [LI-92](#))**15. REMOVE BACK DOOR LOCK STRIKER ASSEMBLY**

- (a) Using a screwdriver, detach the 2 claws and remove the cover.

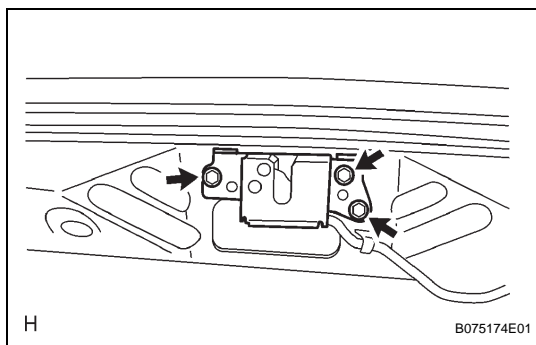
- (b) Using a T40 "torx" wrench, remove the 2 screws and remove the cover.

**16. REMOVE BACK DOOR STAY ASSEMBLY LH (See page [ED-49](#))****17. REMOVE BACK DOOR STAY ASSEMBLY RH**

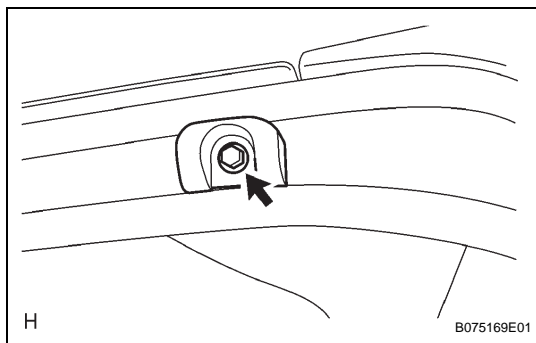
HINT:

Use the same procedures for the LH side.

18. REMOVE REAR DECK TRIM COVER (See page [IR-10](#))

**19. REMOVE BACK DOOR LOCK ASSEMBLY**

- (a) Disconnect the connector.
- (b) Remove the 3 bolts and door lock.

**20. REMOVE BACK DOOR LOWER STOPPER**

- (a) Remove the 2 bolts and stopper LH and RH.

ADJUSTMENT

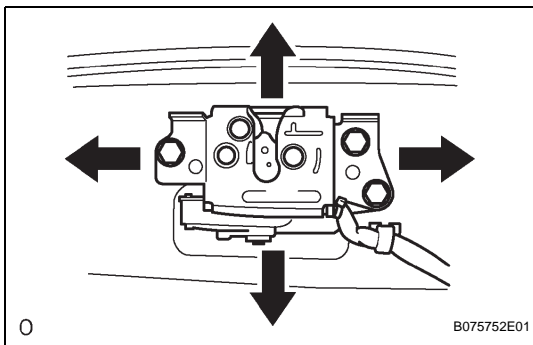
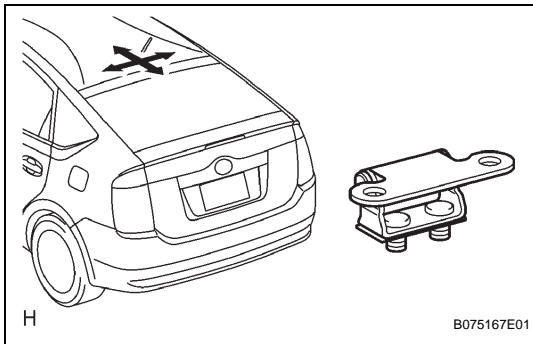
HINT:

A bolt without a torque specification is shown in the standard bolt chart (see page [SS-2](#)).

1. ADJUST BACK DOOR

- (a) Loosen the door side's hinge bolts and adjust the back door panel's top end.
- (b) Tighten the door side's hinge bolts after the adjustment.

Torque: 15 N*m (153 kgf*cm, 11 ft.*lbf)



- (c) Loosen the back door's lock bolts and change the position of the back door lock to adjust back door panel's end.

NOTICE:

Tap the base of the back door lock to change its position.

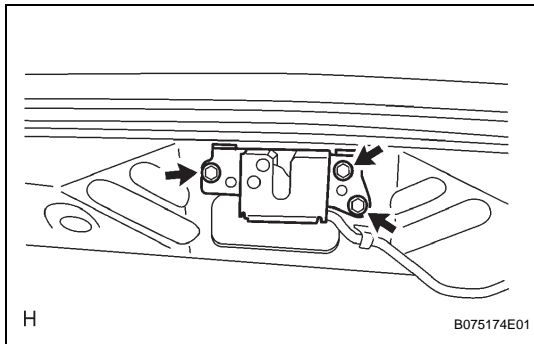
- (d) Tighten the 3 back door lock bolts after the adjustment.

Torque: 7.5 N*m (76 kgf*cm, 75 in.*lbf)

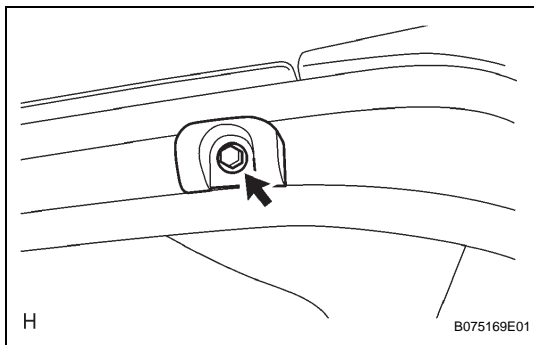
REASSEMBLY

HINT:

A bolt without a torque specification is shown in the standard bolt chart (see page [SS-2](#)).



1. **INSTALL BACK DOOR LOCK ASSEMBLY**
 - (a) Install the door lock with the 3 bolts.
Torque: 7.5 N*m (76 kgf*cm, 75 in.*lbf)
 - (b) Adjust the door lock (see page [ED-45](#)).



2. **INSTALL BACK DOOR LOWER STOPPER**
 - (a) Install the stopper LH and RH with the 2 bolts.
Torque: 8.0 N*m (82 kgf*cm, 71 in.*lbf)

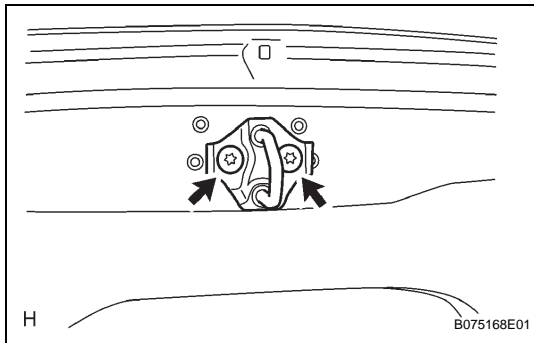
3. **INSTALL REAR DECK TRIM COVER (See page [IR-16](#))**

4. **INSTALL BACK DOOR STAY ASSEMBLY LH (See page [ED-49](#))**

5. **INSTALL BACK DOOR STAY ASSEMBLY RH**

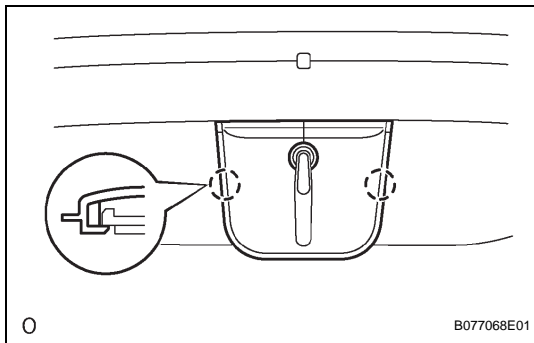
HINT:

Use the same procedures for the LH side.

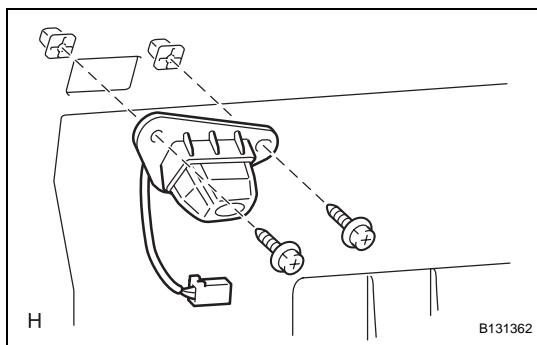


6. **INSTALL BACK DOOR LOCK STRIKER ASSEMBLY**
 - (a) Using a T40 "torx" wrench, install the striker with the 2 screws.
Torque: 23 N*m (235 kgf*cm, 16 ft.*lbf)

(b) Attach the 2 claws to install the cover.



7. **INSTALL LICENSE PLATE LIGHT ASSEMBLY (See page [LI-92](#))**

**8. INSTALL TELEVISION CAMERA ASSEMBLY**

- (a) Connect the connector.
- (b) Install the camera with the 2 screws.

9. INSTALL BACK DOOR OUTSIDE GARNISH SUB-ASSEMBLY (See page ET-38)**10. INSTALL REAR WIPER MOTOR ASSEMBLY (See page WW-22)****11. INSTALL REAR SPOILER SUB-ASSEMBLY (See page ET-17)****12. INSTALL BACK DOOR SIDE GARNISH RH**

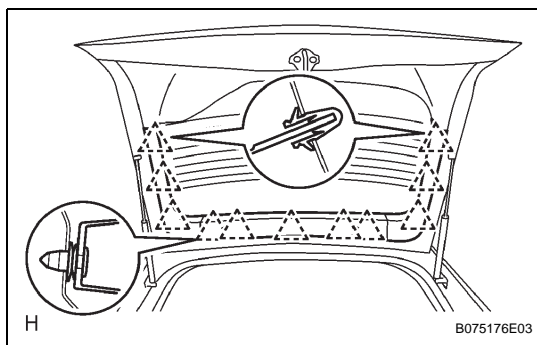
- (a) Attach the 3 clips to install the garnish.

13. INSTALL BACK DOOR SIDE GARNISH LH

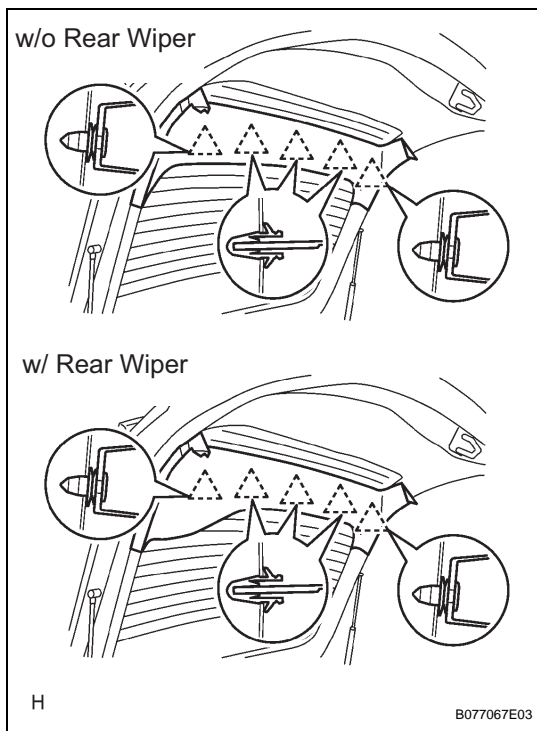
- (a) Attach the 3 clips to install the garnish.

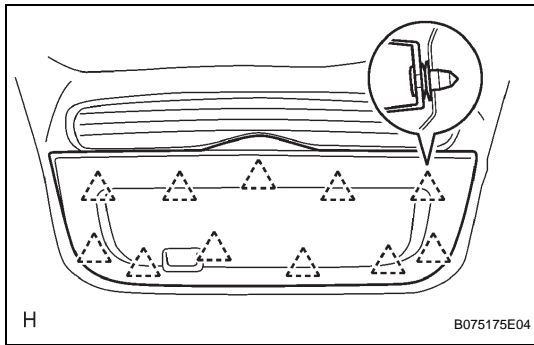
14. INSTALL BACK DOOR TRIM UPPER PANEL ASSEMBLY

- (a) Attach the 11 clips to install the trim panel.

**15. INSTALL BACK DOOR UPPER TRIM BOARD ASSEMBLY**

- (a) Attach the 5 clips to install the upper trim board.





16. INSTALL BACK DOOR LOWER TRIM BOARD ASSEMBLY

(a) Attach the 11 clips to install the lower trim board.

17. CONNECT CABLE TO BATTERY NEGATIVE TERMINAL

18. INSTALL NO. 3 REAR FLOOR BOARD

19. INSTALL REAR DECK FLOOR BOX

20. INSTALL NO. 2 REAR FLOOR BOARD

21. INSPECT SRS WARNING LIGHT

(a) Inspect the SRS warning light (see page [RS-31](#)).

22. PERFORM INITIALIZATION

(a) Perform initialization (see page [IN-32](#)).

NOTICE:

Certain systems need to be initialized after disconnecting and reconnecting the cable from the negative (-) battery terminal.

BACK DOOR SUPPORT

REMOVAL

HINT:

- Use the same procedures for the RH side and LH side.
- The procedures listed below are for the LH side.

1. REMOVE BACK DOOR STAY ASSEMBLY LH

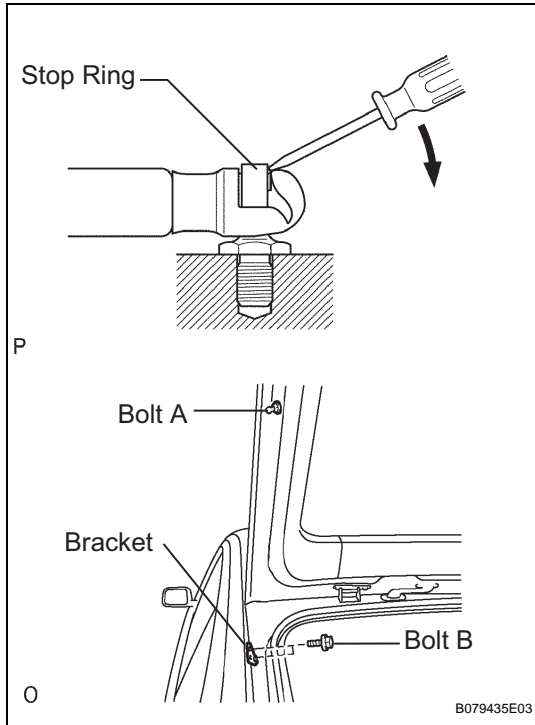
(a) Using a screwdriver, remove the 2 stop rings and stay.

(b) Remove the bolt labeled A from the door panel.

HINT:

Remove the door stay while supporting the back door with your hands.

(c) Remove the 2 bolts labeled B and stay bracket from the body panel.



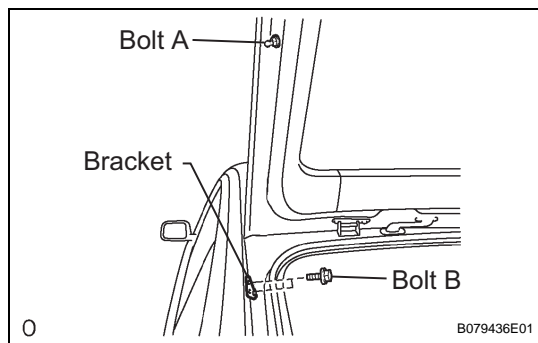
INSTALLATION

HINT:

- Use the same procedures for the RH side and LH side.
- The procedures listed below are for the LH side.

1. INSTALL BACK DOOR STAY ASSEMBLY LH

- (a) Install the stay bracket with the 2 bolts.
Torque: 7.0 N*m (71 kgf*cm, 62 in.*lbf) for bolt labeled B
- (b) Install the back door stay bolt to the back door.
Torque: 22.0 N*m (224 kgf*cm, 16 ft.*lbf) for bolt labeled A
- (c) Install the stay with the 2 stop rings.



DISPOSAL

HINT:

Use the same procedures for the RH side and LH side.

CAUTION:

As metal debris may be blown outward by the gas, you must:

- Wear protective glasses.
- Cover the area being cut.

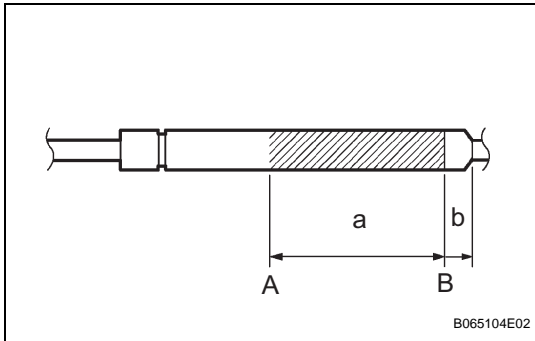
NOTICE:

The gas is colorless, odorless and harmless.

1. DISPOSE OF BACK DOOR STAY ASSEMBLY LH

- (a) Horizontally fix the stay in a vise with the piston-rod pulled out.
- (b) Using a metal saw, gradually cut any area between A and B (shown in the illustration) to release the gas.

Specification:



Area	Measurement
a	80 mm (3.15 in.)
b	20 mm (0.80 in.)