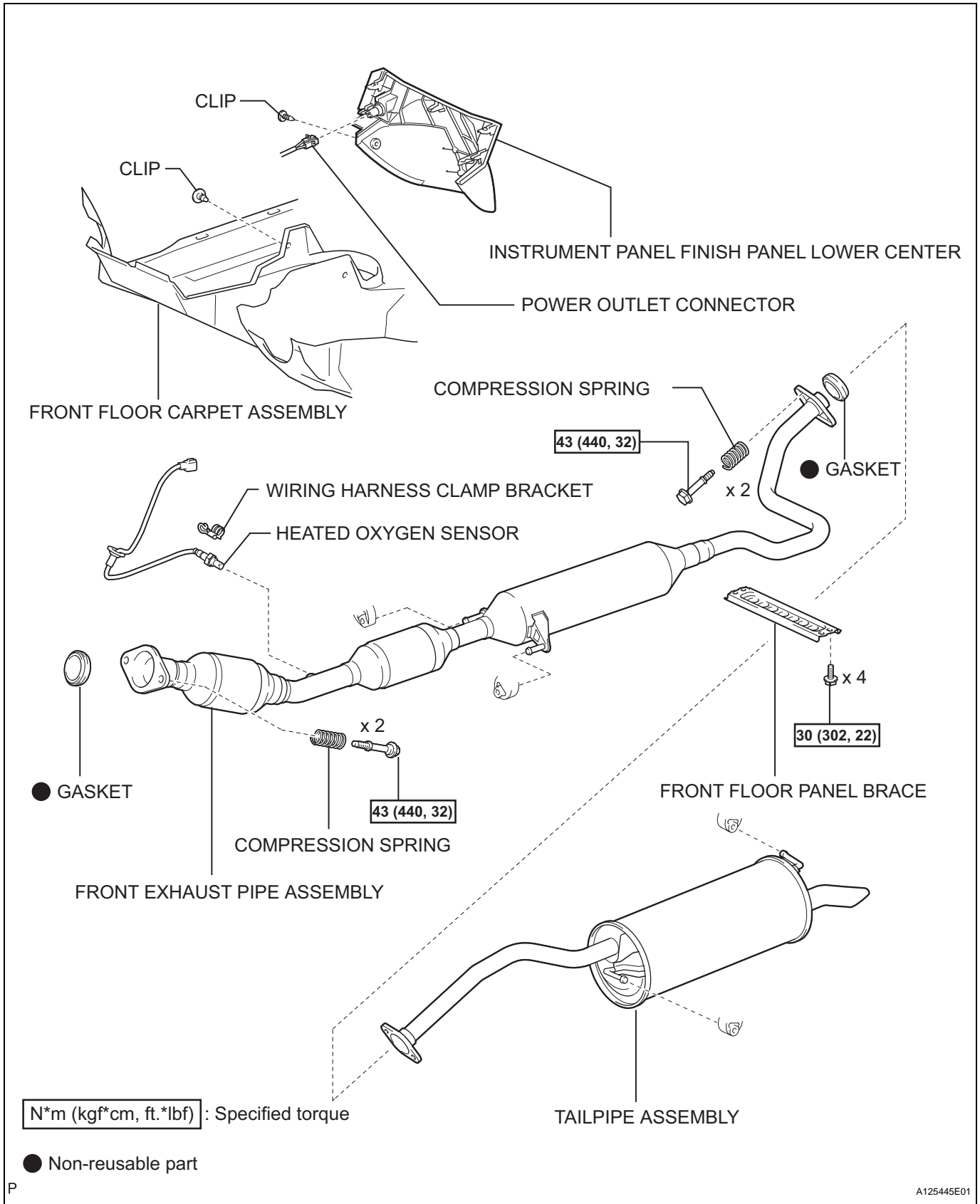


# EXHAUST PIPE

## COMPONENTS

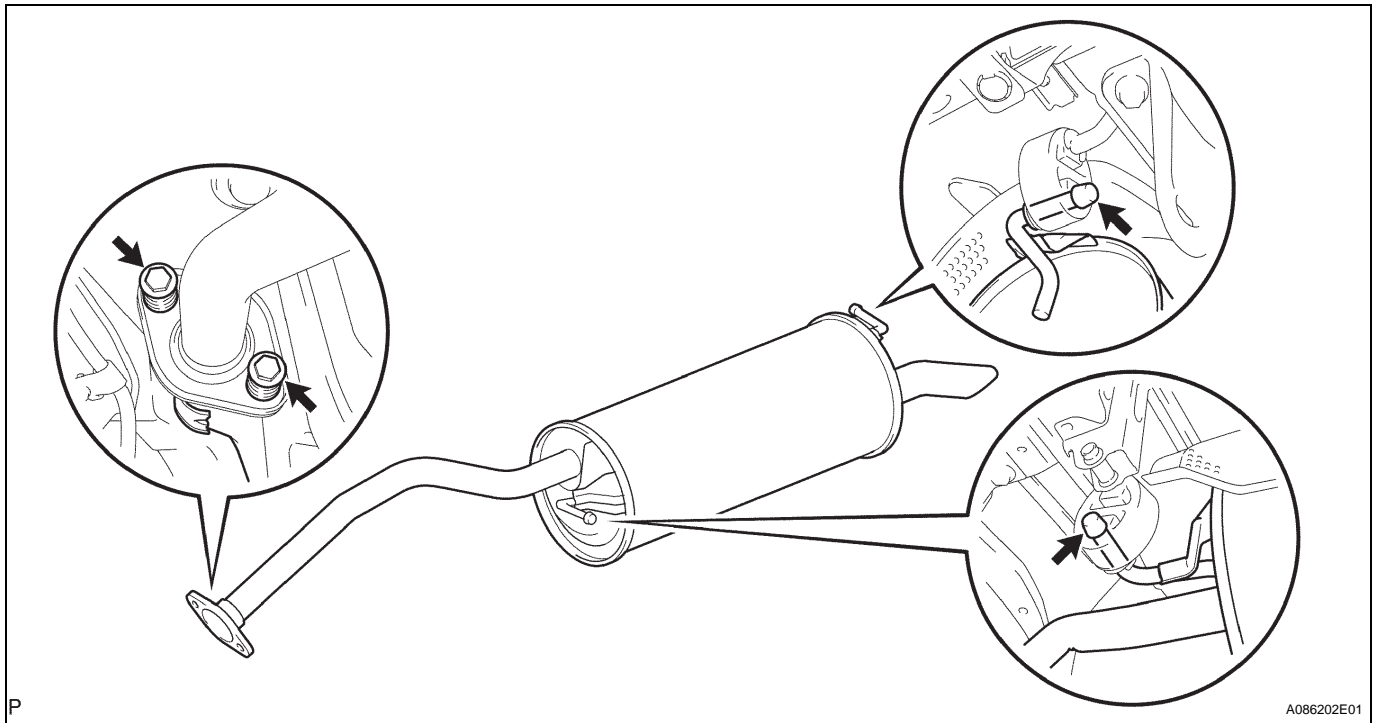
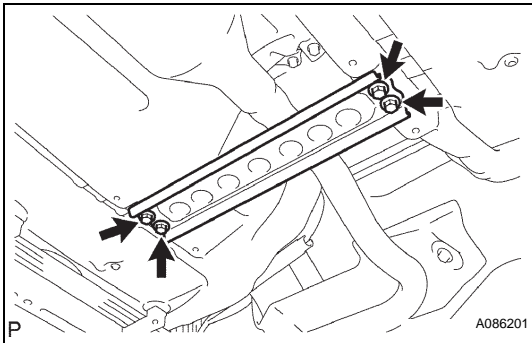


EX

## REMOVAL

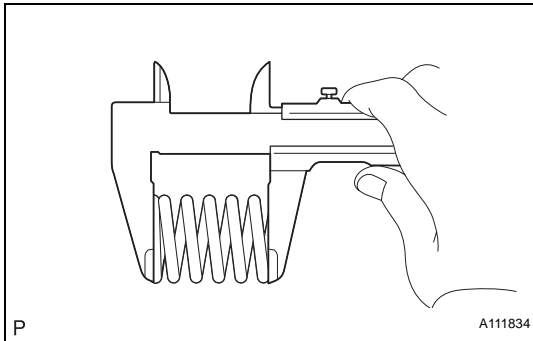
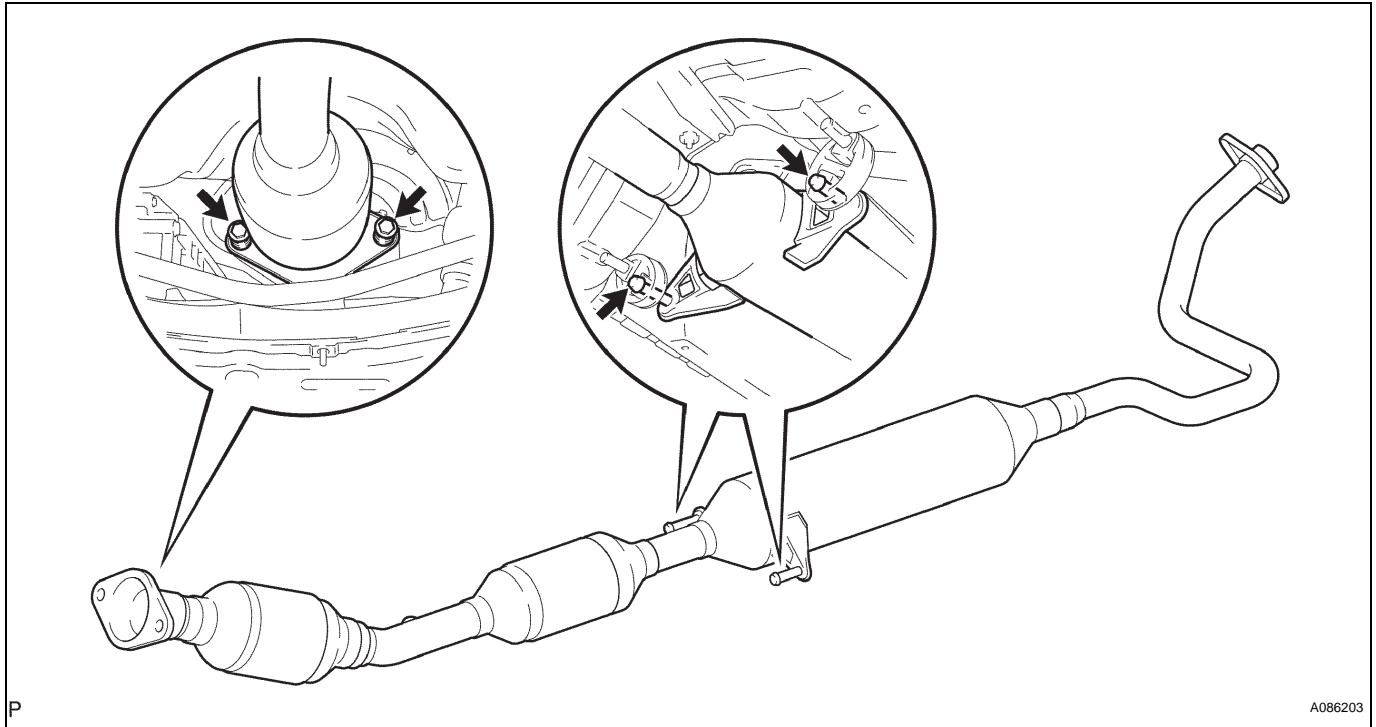
1. REMOVE REAR NO. 2 FLOOR BOARD (See page CH-4)
2. REMOVE REAR DECK FLOOR BOX (See page CH-4)
3. REMOVE REAR NO. 3 FLOOR BOARD (See page CH-4)
4. DISCONNECT CABLE FROM NEGATIVE BATTERY TERMINAL  
**CAUTION:**  
 Wait at least 90 seconds after disconnecting the cable from the negative (-) battery terminal to prevent airbag and seat belt pretensioner activation.
5. REMOVE INSTRUMENT PANEL FINISH PANEL LOWER CENTER (See page IP-18)
6. REMOVE HEATED OXYGEN SENSOR (See page EC-50)
7. REMOVE FRONT FLOOR PANEL BRACE  
 (a) Remove the 2 bolts and floor panel brace.
8. REMOVE TAILPIPE ASSEMBLY  
 (a) Remove the 2 bolts and 2 compression springs.  
 (b) Remove the tailpipe from the 2 exhaust supports.  
 (c) Remove the gasket from the front exhaust pipe.

EX



9. REMOVE FRONT EXHAUST PIPE ASSEMBLY  
 (a) Remove the 2 bolts and 2 compression springs.

- (b) Remove the front exhaust pipe from the 2 exhaust pipe supports.
- (c) Remove the gasket from the exhaust manifold.



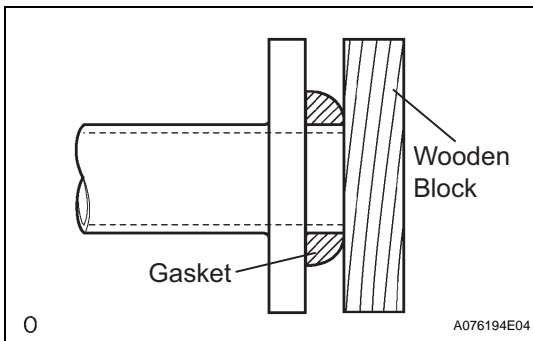
## INSTALLATION

### 1. INSTALL FRONT EXHAUST PIPE ASSEMBLY

- (a) Using a vernier caliper, measure the free length of the compression spring.

**Minimum length:**  
**40.5 mm (1.594 in.)**

If the length is less than the minimum, replace the compression spring.

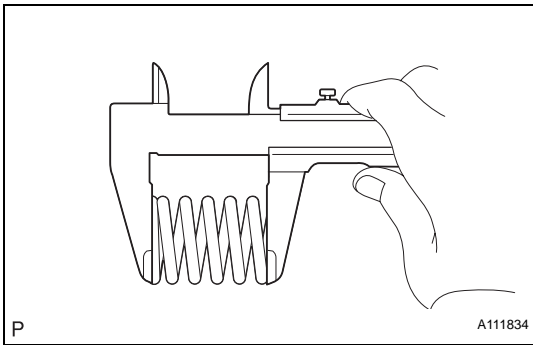


- (b) Using a plastic-faced hammer and wooden block, tap in a new gasket until its surface is flush with the exhaust manifold.

**NOTICE:**

- Tap in the gasket in the correct direction.
- Do not reuse the removed gasket.
- Do not push in the gasket while installing the exhaust pipe.

- (c) Connect the 2 exhaust pipe supports, and install the exhaust pipe.
- (d) Install the 2 compression springs and 2 bolts.  
**Torque: 43 N\*m (438 kgf\*cm, 32 ft.\*lbf)**



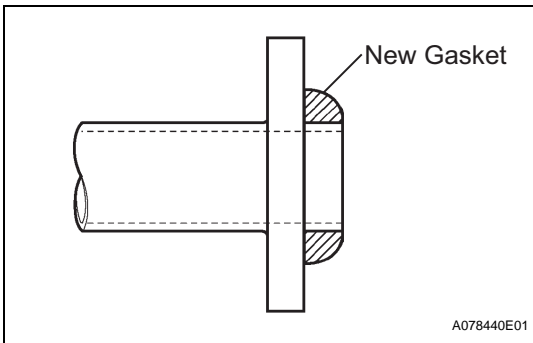
## 2. INSTALL TAILPIPE ASSEMBLY

- (a) Using a vernier caliper, measure the free length of the compression spring.

**Minimum length:**

**38.5 mm (1.516 in.)**

If the length is less than the minimum, replace the compression spring.



- (b) Install a new gasket to the front exhaust pipe.

**NOTICE:**

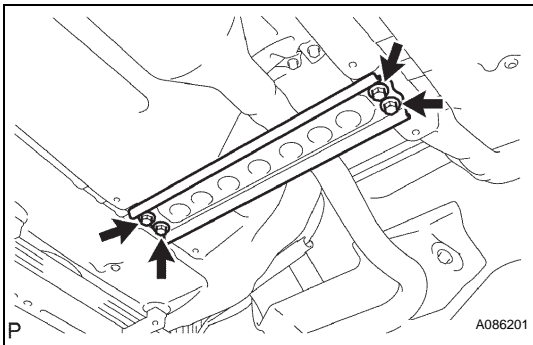
**Do not reuse the gasket.**

- (c) Connect the 2 exhaust pipe supports, and install the tail pipe.

- (d) Install the 2 compression springs and 2 bolts.

**Torque: 43 N\*m (438 kgf\*cm, 32 ft.\*lbf)**

EX



## 3. INSTALL FRONT FLOOR PANEL BRACE

- (a) Install the floor panel brace with the 2 bolts.

**Torque: 30 N\*m (302 kgf\*cm, 22 ft.\*lbf)**

## 4. INSTALL HEATED OXYGEN SENSOR (See page EC-51)

## 5. INSTALL INSTRUMENT PANEL FINISH PANEL LOWER CENTER (See page IP-21)

## 6. CONNECT CABLE TO NEGATIVE BATTERY TERMINAL

## 7. CHECK FOR EXHAUST GAS LEAKS

If gas is leaking, tighten the problem areas to stop the leak. Replace damaged parts as necessary.

## 8. INSTALL REAR NO. 3 FLOOR BOARD (See page CH-8)

## 9. INSTALL REAR DECK FLOOR BOX (See page CH-8)

## 10. INSTALL REAR NO. 2 FLOOR BOARD (See page CH-8)

## 11. PERFORM INITIALIZATION

- (a) Perform initialization (see page IN-32).

**NOTICE:**

**Certain systems need to be initialized after disconnecting the cable from the negative (-) battery terminal.**