
CHARGING SYSTEM

ON-VEHICLE INSPECTION

1. INSPECT BATTERY

NOTICE:

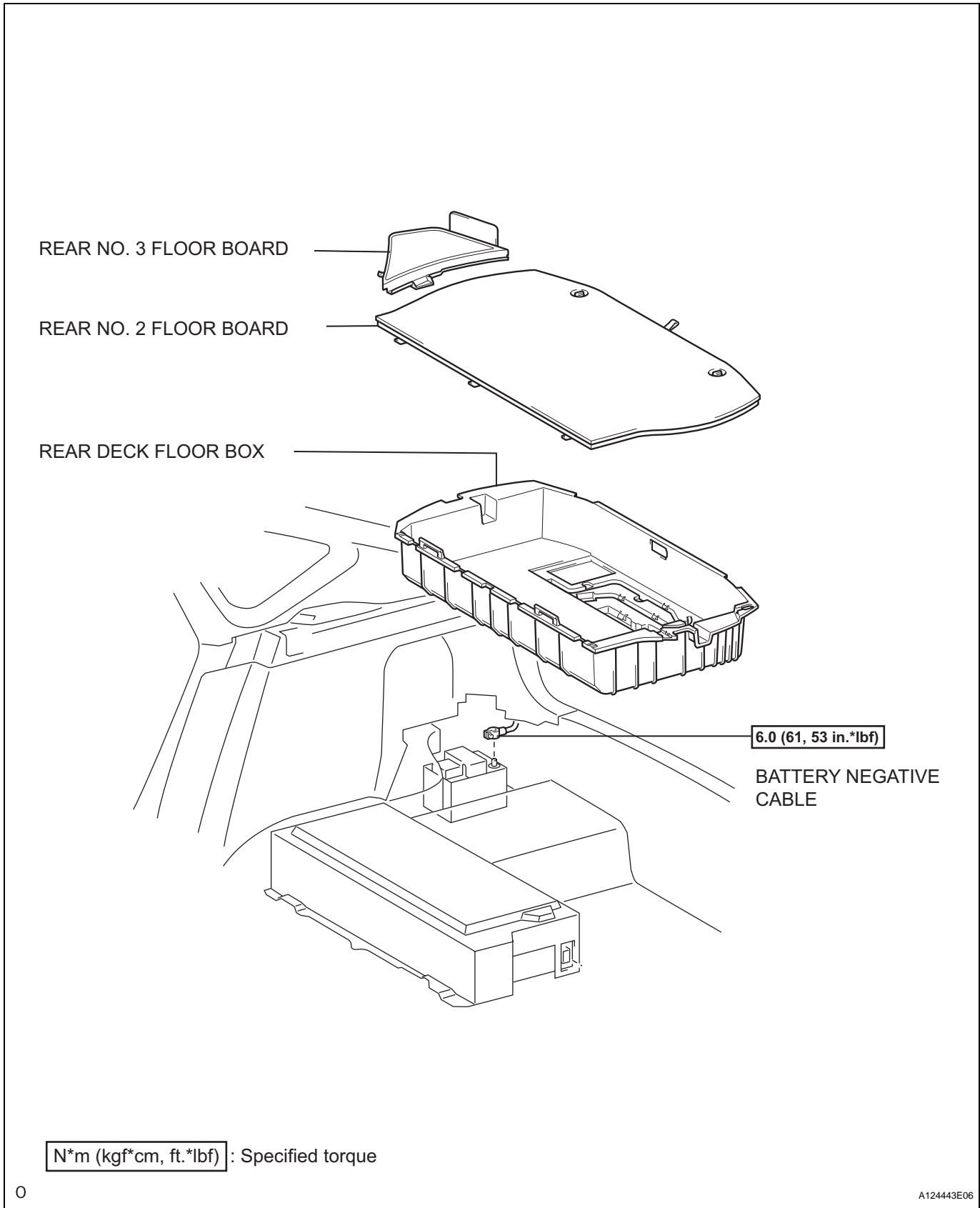
If the battery is dead or "READY" does not light up, recharge the battery. Check the battery again before the vehicle is returned to the customer.

(a) Check the appearance of the battery.

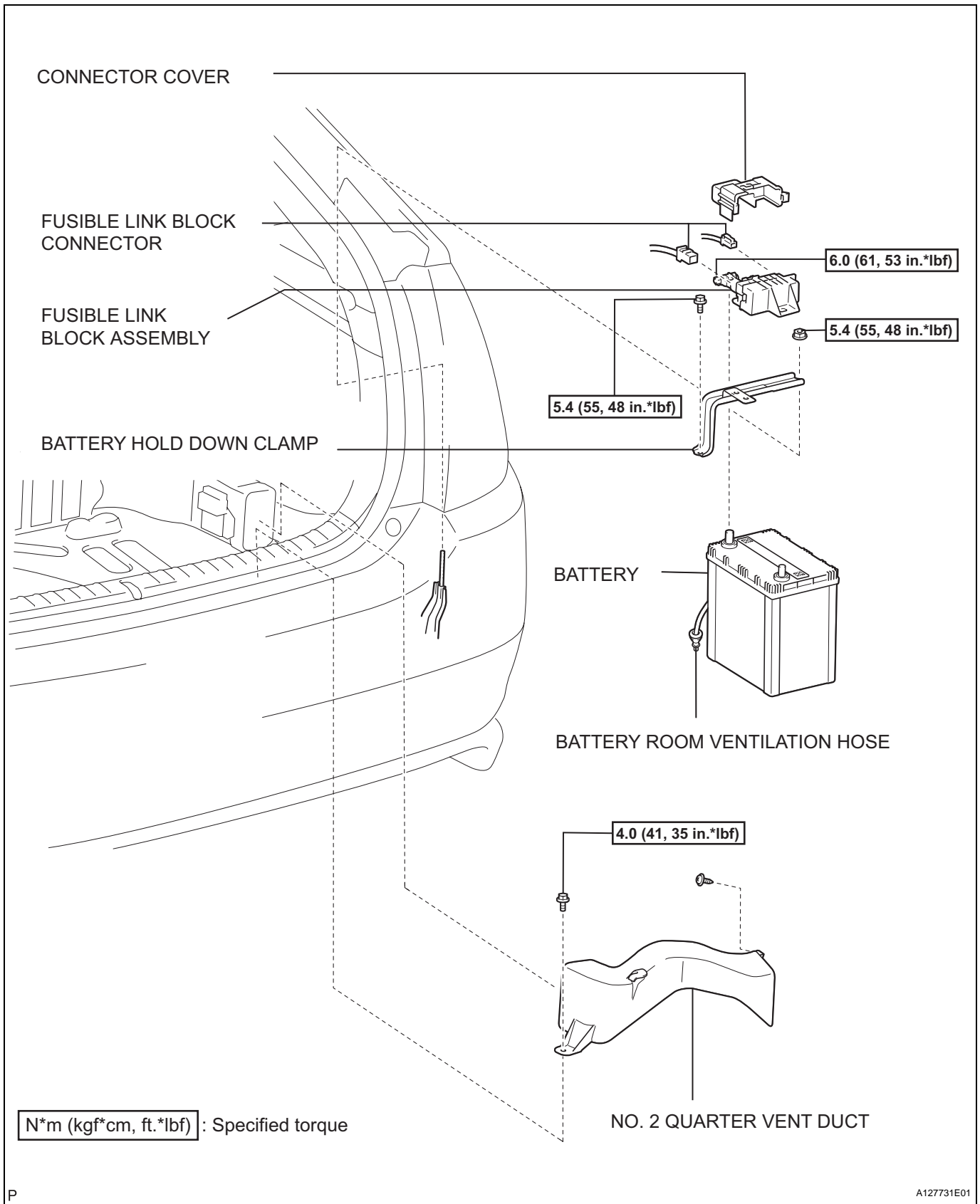
(1) Check that the battery is not damaged or deformed.

If damaged or deformed, replace the battery (the dedicated battery for PRIUS).

BATTERY COMPONENTS



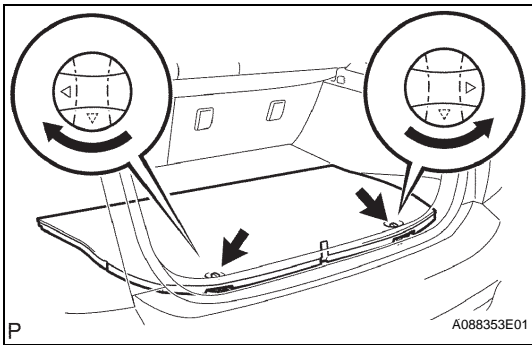
CH



REMOVAL

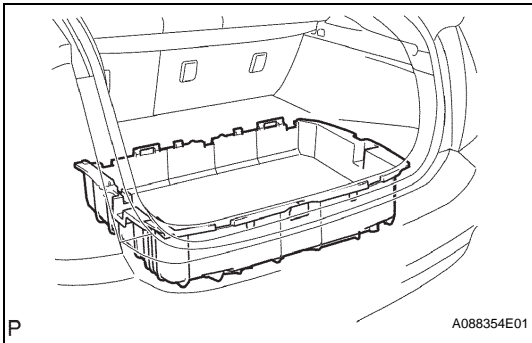
1. REMOVE REAR NO. 2 FLOOR BOARD

- (a) Unlock the 2 washer tank cover knobs, and then remove the rear floor board.



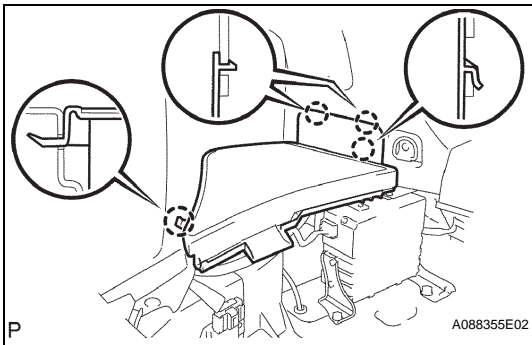
2. REMOVE REAR DECK FLOOR BOX

- (a) Remove the rear deck floor box from the vehicle.



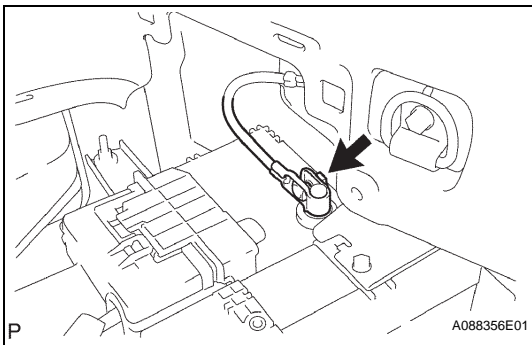
3. REMOVE REAR NO. 3 FLOOR BOARD

- (a) Detach the 4 claws, and then remove the floor board.



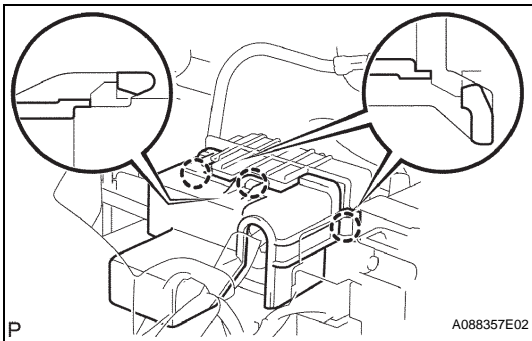
4. DISCONNECT BATTERY NEGATIVE CABLE

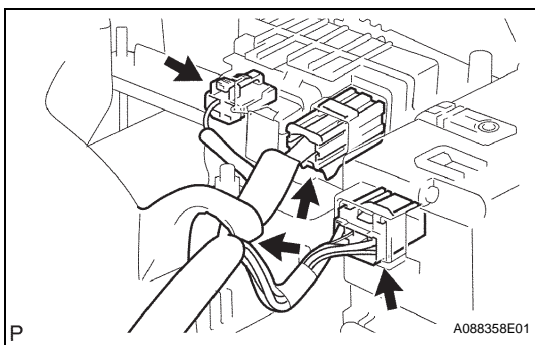
- (a) Loosen the nut, and then disconnect the battery negative cable (engine wire).



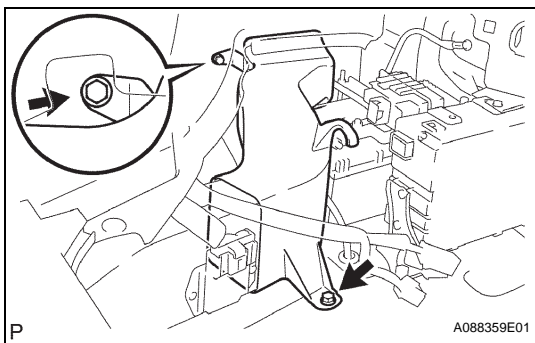
5. REMOVE CONNECTOR COVER

- (a) Detach the 3 claws, and then remove the connector cover.

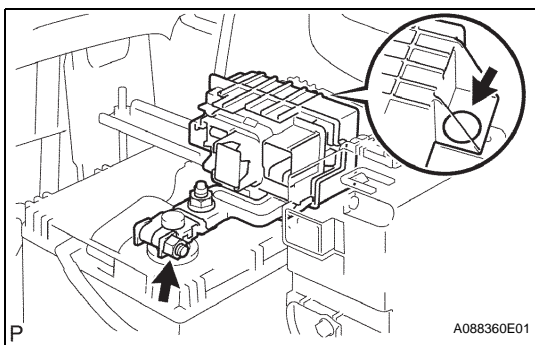


**6. REMOVE NO. 2 QUARTER VENT DUCT**

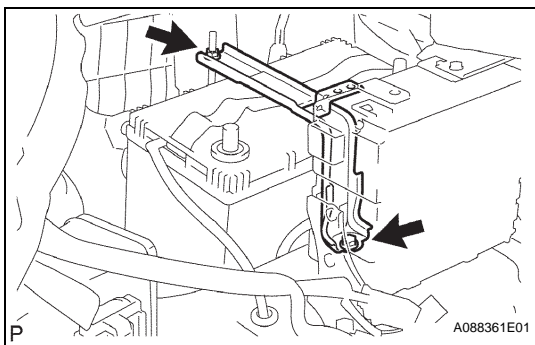
- (a) Disconnect the brake control power supply connector.
- (b) Disconnect the 2 fusible link block connectors.
- (c) Remove the wire harness from the quarter vent duct.



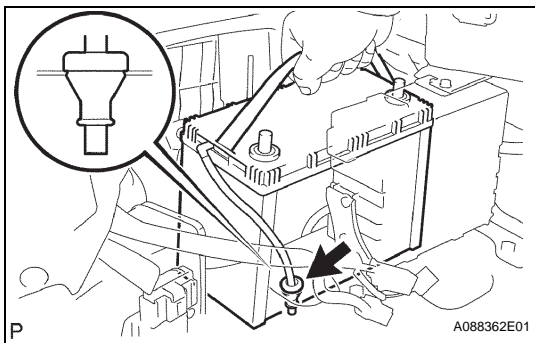
- (d) Remove the bolt and screw, and then remove the quarter vent duct.

**7. REMOVE FUSIBLE LINK BLOCK ASSEMBLY**

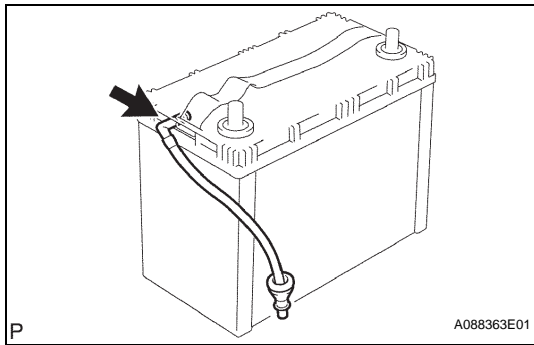
- (a) Using a clip remover, remove the clip.
- (b) Loosen the nut, and then remove the fusible link block.

**8. REMOVE BATTERY HOLD DOWN CLAMP**

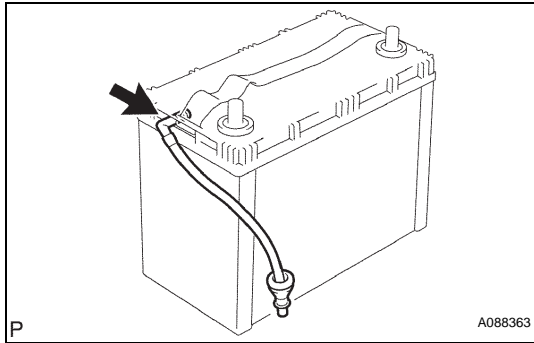
- (a) Remove the bolt and nut, and then remove the battery hold down clamp.

**9. REMOVE BATTERY**

- (a) Remove the grommet of the battery room ventilation hose from the vehicle.
- (b) Remove the battery from the vehicle.



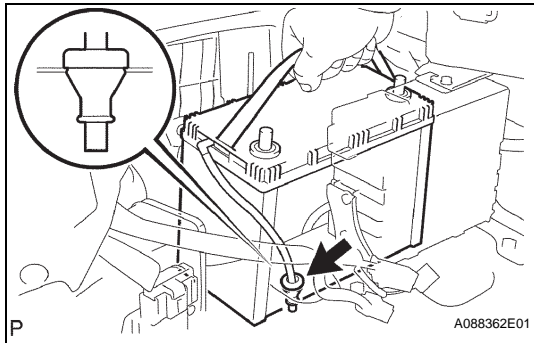
- (c) Remove the battery room ventilation hose from the battery.



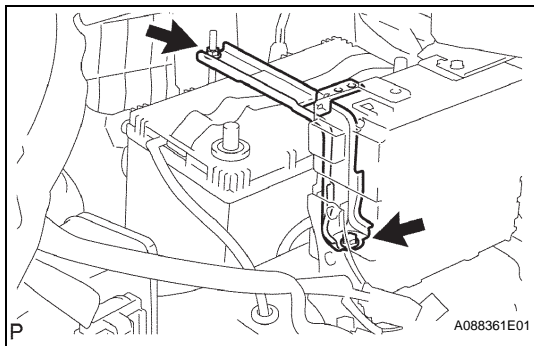
INSTALLATION

1. INSTALL BATTERY

- (a) Install the battery room ventilation hose to the battery.



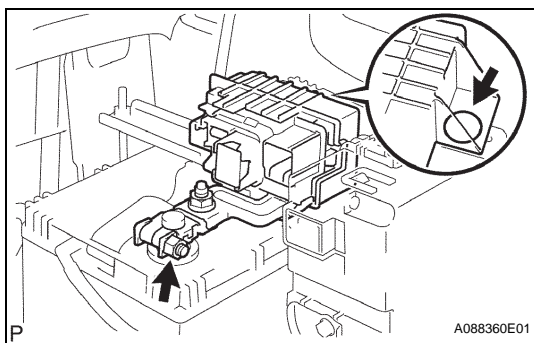
- (b) Install the battery to the vehicle.
 (c) Install the grommet of the battery room ventilation hose to the vehicle.



2. INSTALL BATTERY HOLD DOWN CLAMP

- (a) Install the battery hold down clamp with the bolt and nut.

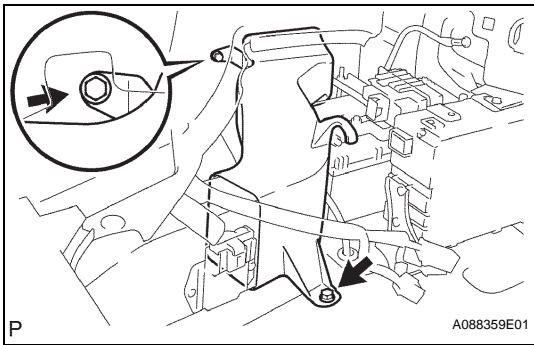
Torque: 5.4 N*m (55 kgf*cm, 48 in.*lbf)



3. INSTALL FUSIBLE LINK BLOCK ASSEMBLY

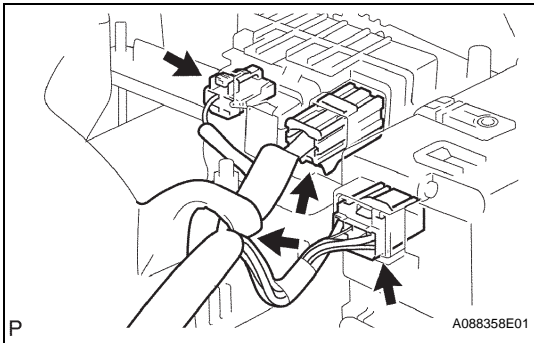
- (a) Install the fusible link block with the nut and clip, and then tighten the nut.

Torque: 6.0 N*m (61 kgf*cm, 53 in.*lbf)

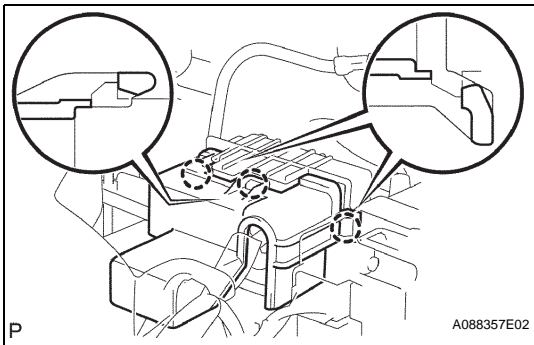


4. INSTALL NO. 2 QUARTER VENT DUCT

- (a) Install the quarter vent duct with the bolt and screw.
Torque: 4.0 N*m (41 kgf*cm, 35 in.*lbf)
- (b) Install the wire harness to the quarter vent duct.



- (c) Connect the 2 fusible link connectors.
- (d) Connect the brake control power supply connector.



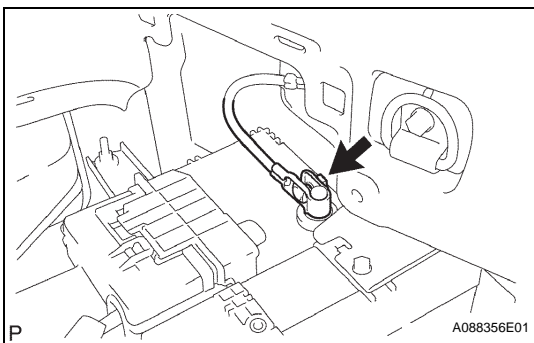
5. INSTALL CONNECTOR COVER

- (a) Install the connector cover, and then attach the 3 claws.

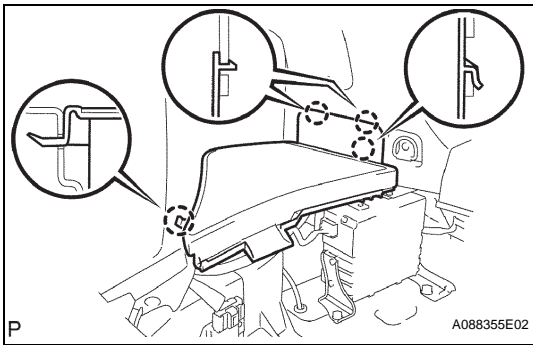
6. CONNECT BATTERY NEGATIVE CABLE

NOTICE:

- When the warning light is illuminated or the battery has been disconnected and reconnected, turning the power switch may not start the system on the first try. If so, turn the power switch again.
- With the power switch's power mode changed to ON (IG), disconnect the battery. If the key is not in the key slot during reconnection, DTC B2799 may be output.

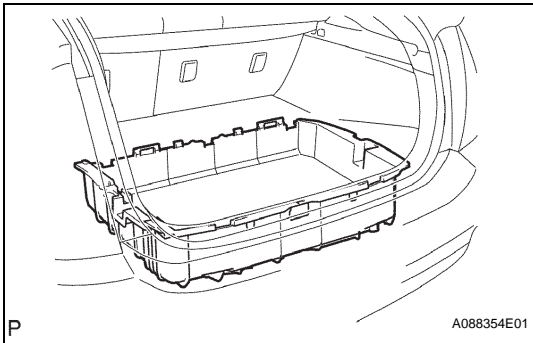


- (a) Connect the battery negative cable, and then tighten the nut.
Torque: 6.0 N*m (61 kgf*cm, 53 in.*lbf)



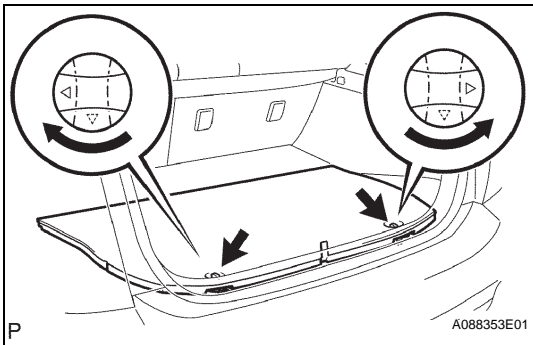
7. INSTALL REAR NO. 3 FLOOR BOARD

- (a) Install the floor board, and then attach the 4 claws.



8. INSTALL REAR DECK FLOOR BOX

- (a) Install the rear deck floor box to the vehicle.



9. INSTALL REAR NO. 2 FLOOR BOARD

- (a) Install the floor board, and then lock the 2 cover knobs.

10. PERFORM INITIALIZATION

- (a) Perform initialization (see page [IN-32](#)).

NOTICE:

Certain systems need to be initialized after disconnecting and reconnecting the cable from the negative (-) battery terminal.