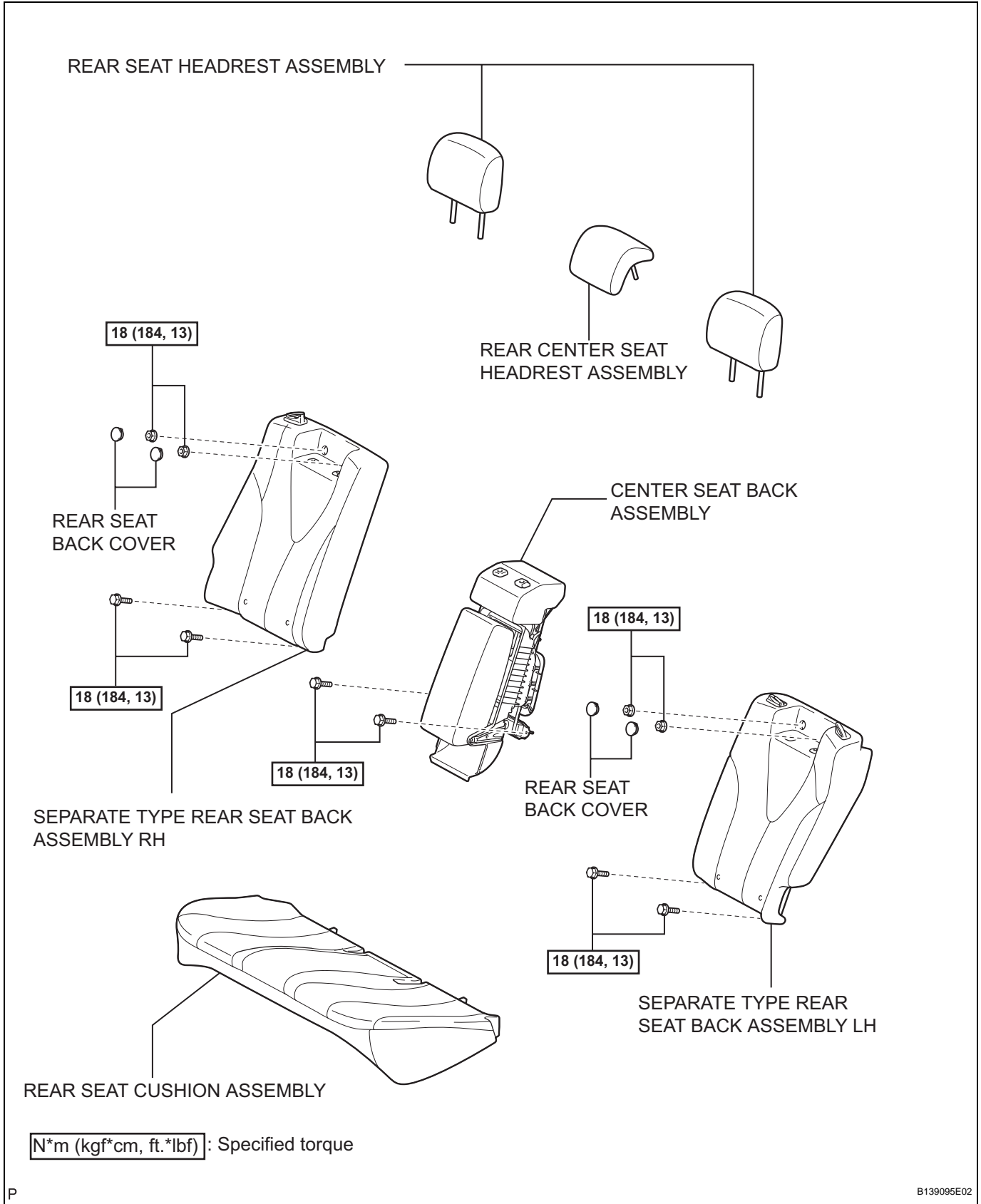


# REAR SUNSHADE ASSEMBLY

## COMPONENTS

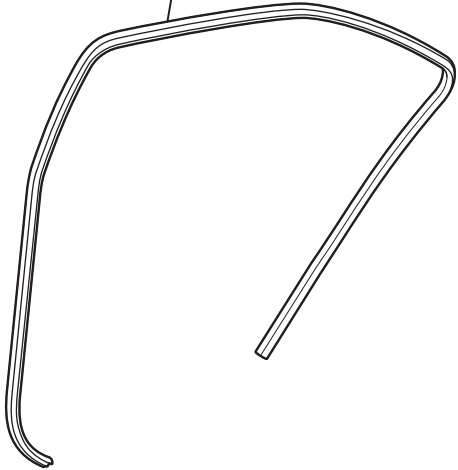
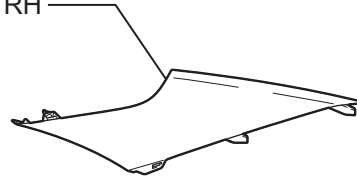


IR

IR

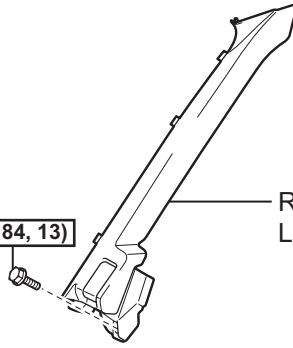
ROOF SIDE INNER GARNISH RH

REAR DOOR OPENING TRIM WEATHERSTRIP RH

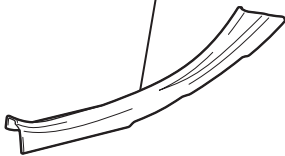


18 (184, 13)

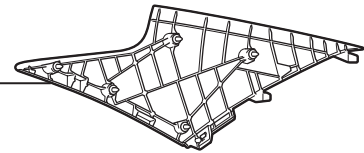
RECLINING REMOTE CONTROL LEVER SUB-ASSEMBLY RH



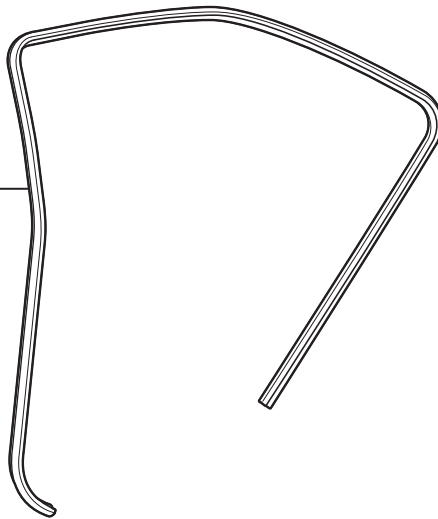
REAR DOOR SCUFF PLATE RH



ROOF SIDE INNER GARNISH LH

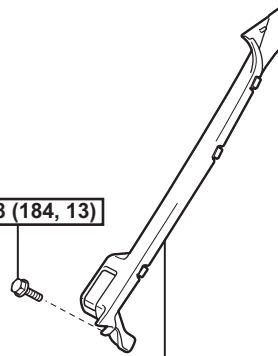


REAR DOOR OPENING TRIM WEATHERSTRIP LH

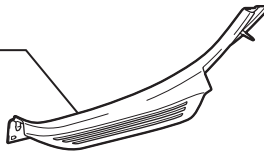


18 (184, 13)

RECLINING REMOTE CONTROL LEVER SUB-ASSEMBLY LH

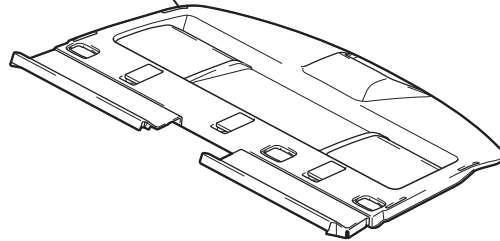


REAR DOOR SCUFF PLATE LH



**N\*m (kgf\*cm, ft.\*lbf)** : Specified torque

PACKAGE TRAY TRIM PANEL ASSEMBLY



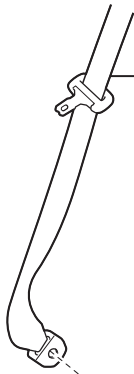
REAR SEAT SHOULDER BELT COVER



REAR SEAT SHOULDER BELT HOLE COVER



REAR SEAT OUTER BELT ASSEMBLY

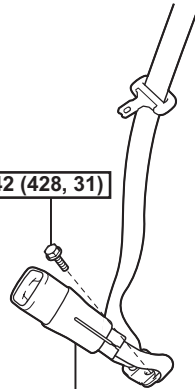


42 (428, 31)

for TMC made:

42 (428, 31)

REAR SEAT INNER WITH CENTER BELT ASSEMBLY LH

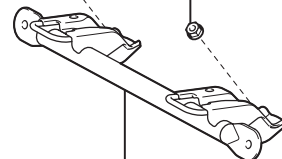


REAR SEAT SHOULDER BELT COVER

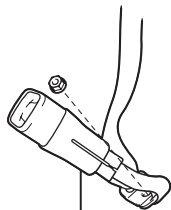


18 (184, 13)

CHILD RESTRAINT SEAT ANCHOR BRACKET SUB-ASSEMBLY LH



for TMMK made:



REAR SEAT INNER WITH CENTER BELT ASSEMBLY LH

42 (428, 31)

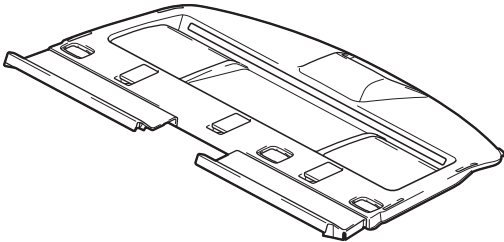
REAR SEAT OUTER BELT ASSEMBLY

N\*m (kgf\*cm, ft.\*lbf) : Specified torque

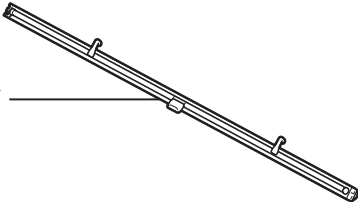
IR

— CURTAIN RAIL END CAP RH

— CURTAIN RAIL END CAP LH



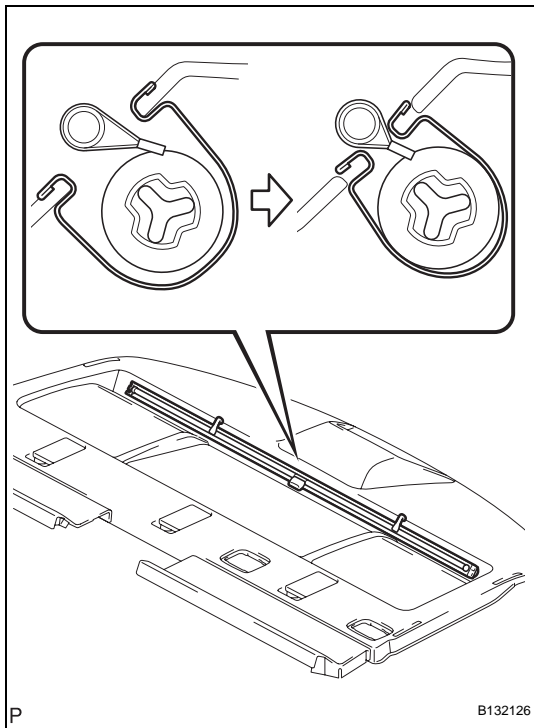
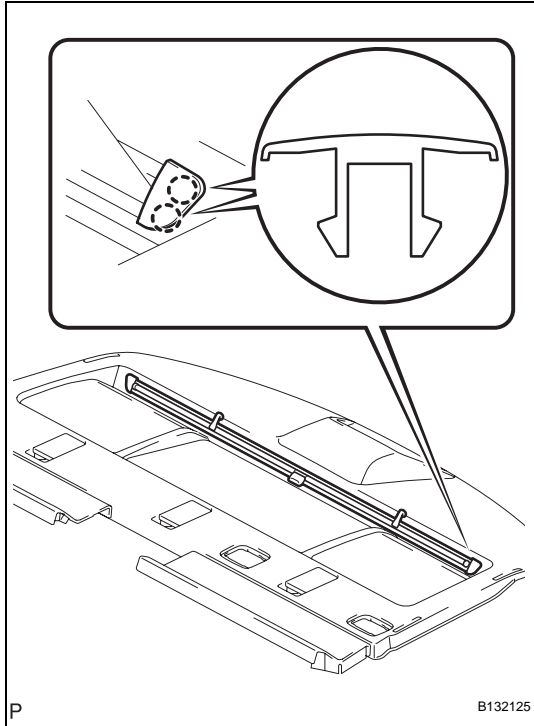
REAR WINDOW SHADE ASSEMBLY —



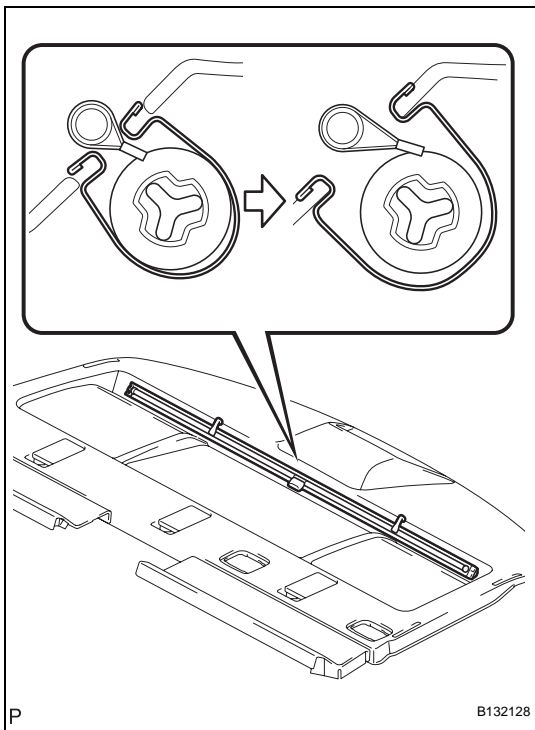
## REMOVAL

1. REMOVE REAR SEAT CUSHION ASSEMBLY (See page [SE-62](#))
2. REMOVE REAR SEAT HEADREST ASSEMBLY
3. REMOVE REAR CENTER SEAT HEADREST ASSEMBLY
4. REMOVE REAR SEAT BACK COVER (See page [SE-63](#))
5. REMOVE SEPARATE TYPE REAR SEAT BACK ASSEMBLY LH (See page [SE-63](#))
6. REMOVE SEPARATE TYPE REAR SEAT BACK ASSEMBLY RH (See page [SE-64](#))
7. REMOVE CENTER SEAT BACK ASSEMBLY (See page [SE-64](#))
8. REMOVE REAR DOOR SCUFF PLATE LH (See page [IR-24](#))
9. DISCONNECT REAR DOOR OPENING TRIM WEATHERSTRIP LH
10. REMOVE REAR DOOR SCUFF PLATE RH (See page [IR-24](#))
11. DISCONNECT REAR DOOR OPENING TRIM WEATHERSTRIP RH
12. REMOVE RECLINING REMOTE CONTROL LEVER SUB-ASSEMBLY LH (See page [SE-68](#))
13. REMOVE RECLINING REMOTE CONTROL LEVER SUB-ASSEMBLY RH  
HINT:  
Use the same procedures for the RH side and the LH side.
14. REMOVE CHILD RESTRAINT SEAT ANCHOR BRACKET SUB-ASSEMBLY LH (See page [SB-66](#))
15. DISCONNECT REAR SEAT INNER WITH CENTER BELT ASSEMBLY LH (for TMC Made) (See page [SB-35](#))
16. DISCONNECT REAR SEAT INNER WITH CENTER BELT ASSEMBLY LH (for TMMK Made) (See page [SB-35](#))
17. REMOVE ROOF SIDE INNER GARNISH LH (See page [IR-26](#))
18. REMOVE ROOF SIDE INNER GARNISH RH (See page [IR-26](#))
19. DISCONNECT REAR SEAT OUTER BELT ASSEMBLY (for LH Side) (See page [SB-36](#))
20. DISCONNECT REAR SEAT OUTER BELT ASSEMBLY (for RH Side) (See page [SB-36](#))

21. REMOVE REAR SEAT SHOULDER BELT COVER  
(See page [SB-36](#))
22. REMOVE REAR SEAT SHOULDER BELT HOLE COVER  
(See page [SB-36](#))
23. REMOVE PACKAGE TRAY TRIM PANEL ASSEMBLY  
(See page [SB-37](#))
24. REMOVE CURTAIN RAIL END CAP LH  
(a) Disengage the 2 claws and remove the curtain rail end cap LH.
25. REMOVE CURTAIN RAIL END CAP RH  
HINT:  
Use the same procedures for the RH side and the LH side.



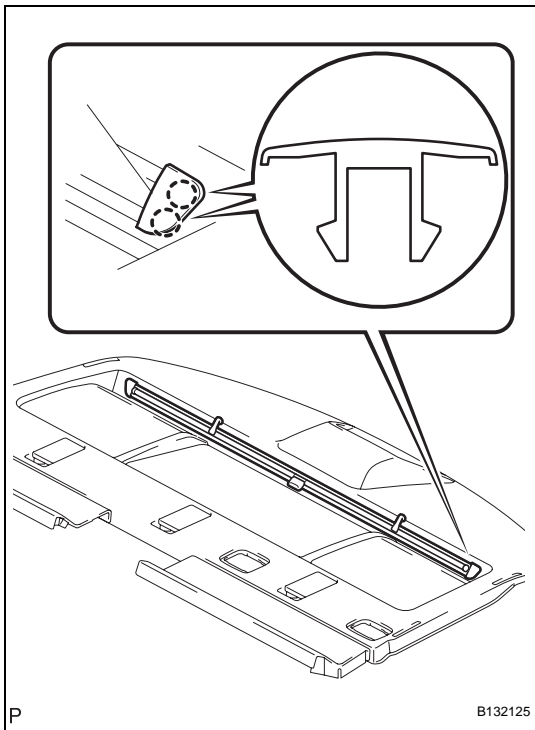
26. REMOVE REAR WINDOW SHADE ASSEMBLY  
(a) Remove the rear window shade assembly as shown in the illustration.



## INSTALLATION

### 1. INSTALL REAR WINDOW SHADE ASSEMBLY

- (a) Install the rear window shade assembly as shown in the illustration.



### 2. INSTALL CURTAIN RAIL END CAP LH

- (a) Engage the 2 claws and install the curtain rail end cap LH.

### 3. INSTALL CURTAIN RAIL END CAP RH

- HINT:  
Use the same procedures for the RH side and the LH side.

### 4. INSTALL PACKAGE TRAY TRIM PANEL ASSEMBLY (See page [SB-39](#))

### 5. INSTALL REAR SEAT SHOULDER BELT HOLE COVER (See page [SB-39](#))

### 6. INSTALL REAR SEAT SHOULDER BELT COVER (See page [SB-39](#))

### 7. CONNECT REAR SEAT OUTER BELT ASSEMBLY (for LH Side) (See page [SB-39](#))

### 8. CONNECT REAR SEAT OUTER BELT ASSEMBLY (for RH Side) (See page [SB-40](#))

### 9. INSTALL ROOF SIDE INNER GARNISH LH (See page [IR-52](#))

### 10. INSTALL ROOF SIDE INNER GARNISH RH (See page [IR-52](#))

### 11. CONNECT REAR SEAT INNER WITH CENTER BELT ASSEMBLY LH (for TMC Made) (See page [SB-40](#))

### 12. CONNECT REAR SEAT INNER WITH CENTER BELT ASSEMBLY LH (for TMMK Made) (See page [SB-40](#))

### 13. INSTALL CHILD RESTRAINT SEAT ANCHOR BRACKET SUB-ASSEMBLY LH (See page [SB-66](#))

P

B132128

P

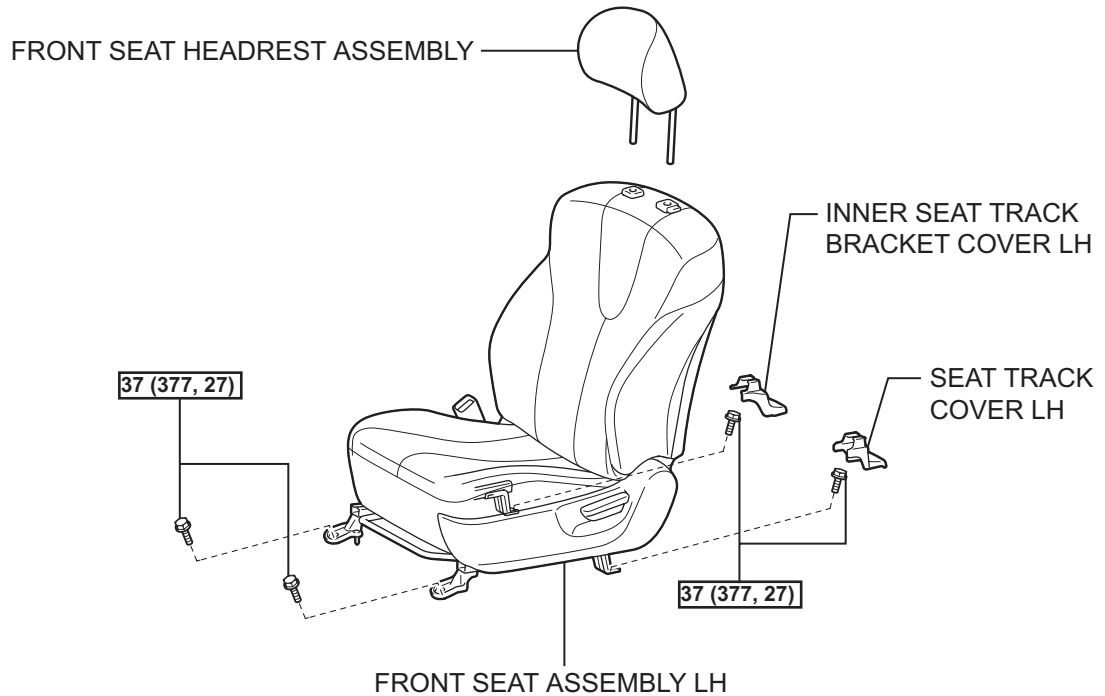
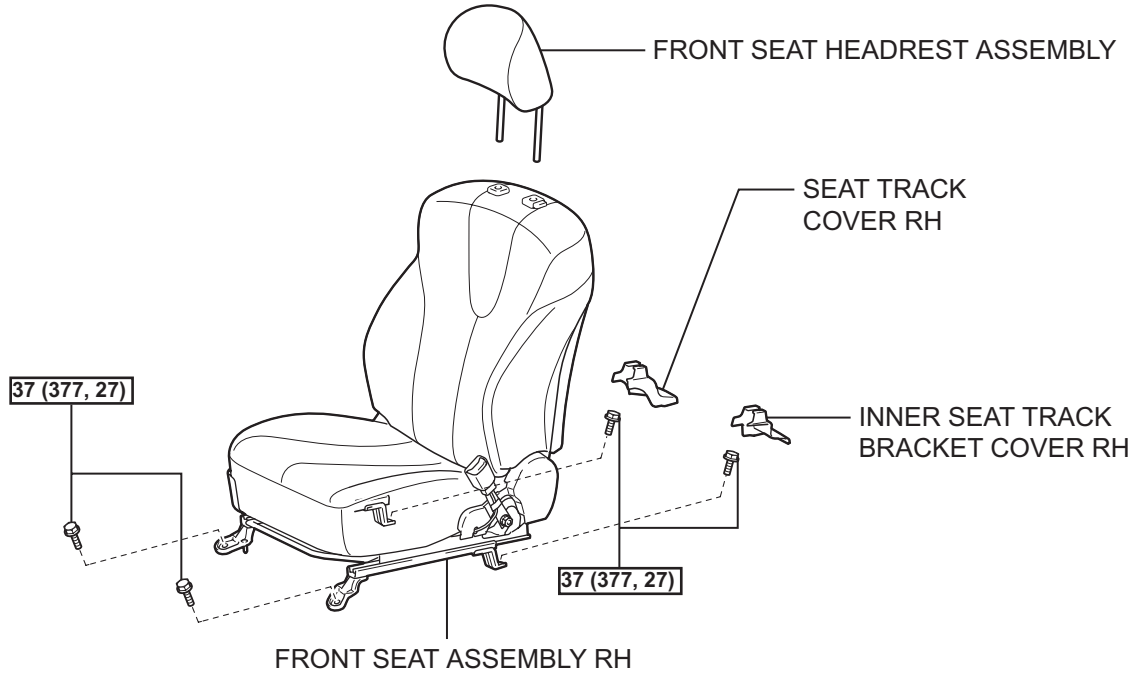
B132125

14. **INSTALL RECLINING REMOTE CONTROL LEVER SUB-ASSEMBLY LH (See page [SE-69](#))**
15. **INSTALL RECLINING REMOTE CONTROL LEVER SUB-ASSEMBLY RH**  
HINT:  
Use the same procedures for the RH side and the LH side.
16. **CONNECT REAR DOOR OPENING TRIM WEATHERSTRIP LH (See page [IR-55](#))**
17. **INSTALL REAR DOOR SCUFF PLATE LH (See page [IR-56](#))**
18. **CONNECT REAR DOOR OPENING TRIM WEATHERSTRIP RH (See page [IR-56](#))**
19. **INSTALL REAR DOOR SCUFF PLATE RH (See page [IR-56](#))**
20. **INSTALL CENTER SEAT BACK ASSEMBLY (See page [SE-71](#))**
21. **INSTALL SEPARATE TYPE REAR SEAT BACK ASSEMBLY LH (See page [SE-72](#))**
22. **INSTALL SEPARATE TYPE REAR SEAT BACK ASSEMBLY RH (See page [SE-71](#))**
23. **INSTALL REAR SEAT BACK COVER**
24. **INSTALL REAR CENTER SEAT HEADREST ASSEMBLY**
25. **INSTALL REAR SEAT HEADREST ASSEMBLY**
26. **INSTALL REAR SEAT CUSHION ASSEMBLY (See page [SE-73](#))**



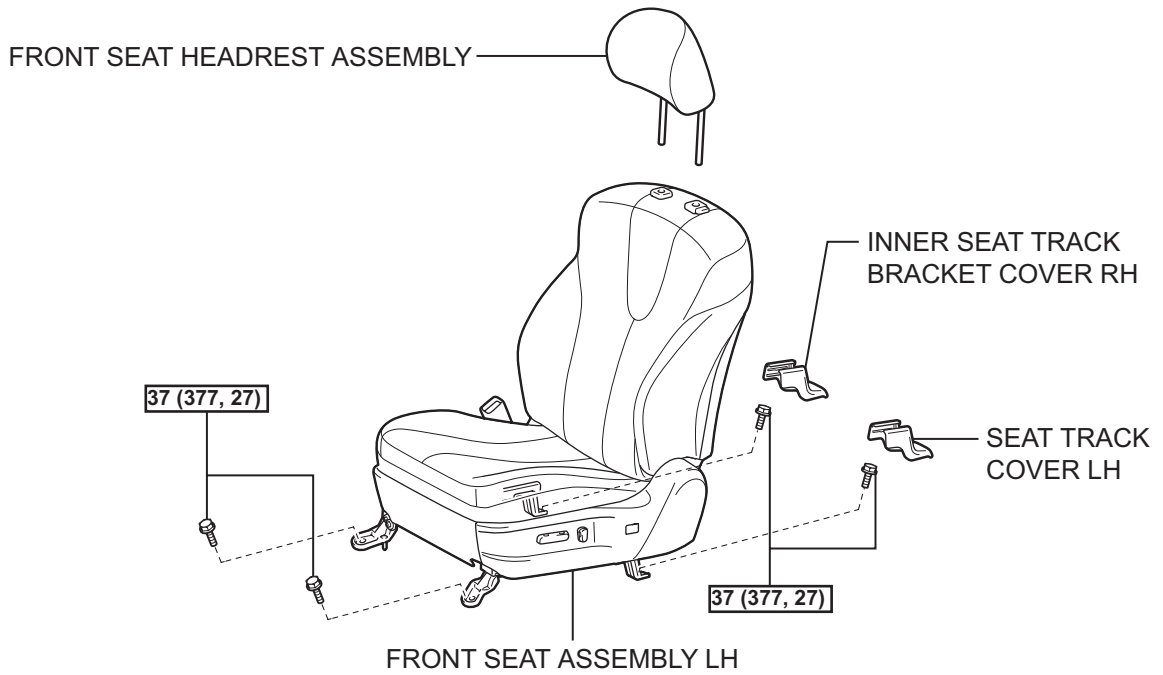
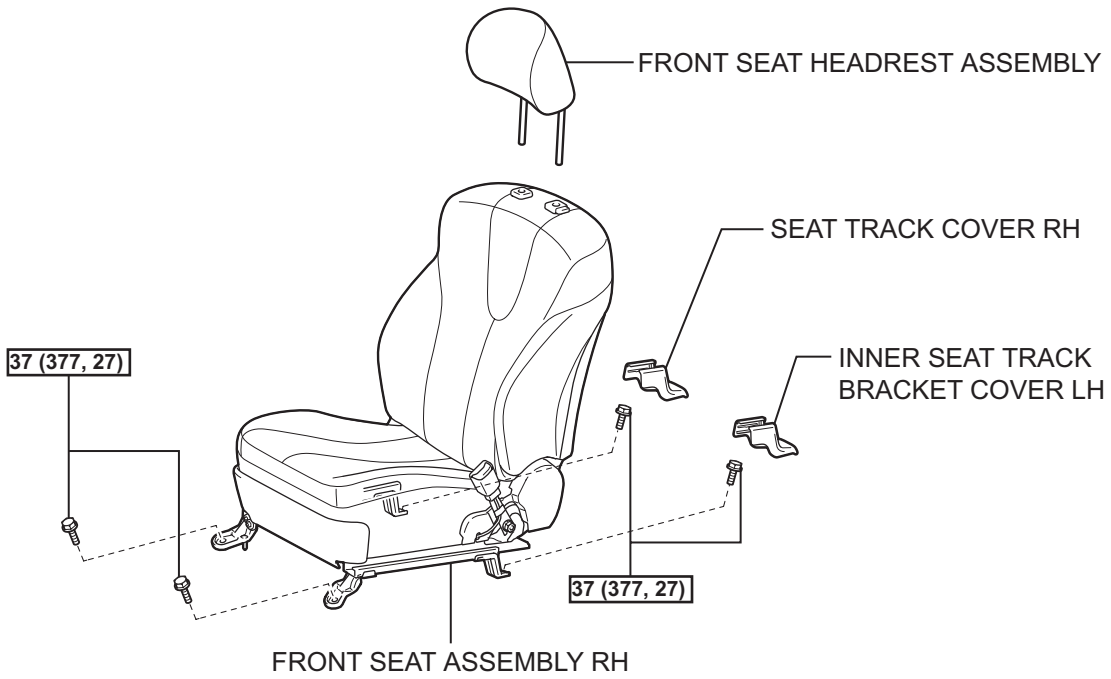
# ROOF HEADLINING COMPONENTS

for Manual Seat:



**N\*m (kgf\*cm, ft.\*lbf)** : Specified torque

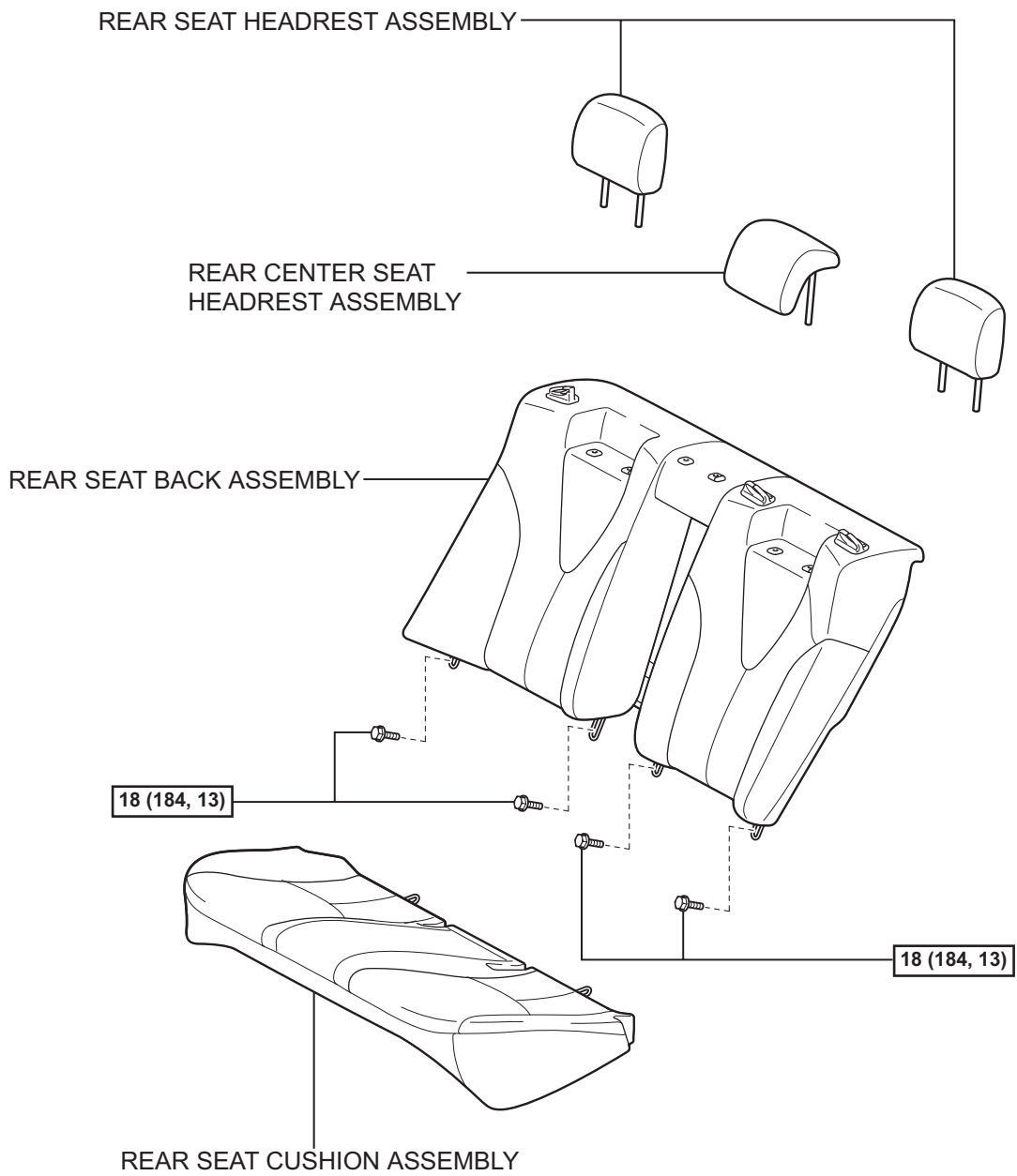
for Power Seat:



**37 (377, 27)** : Specified torque

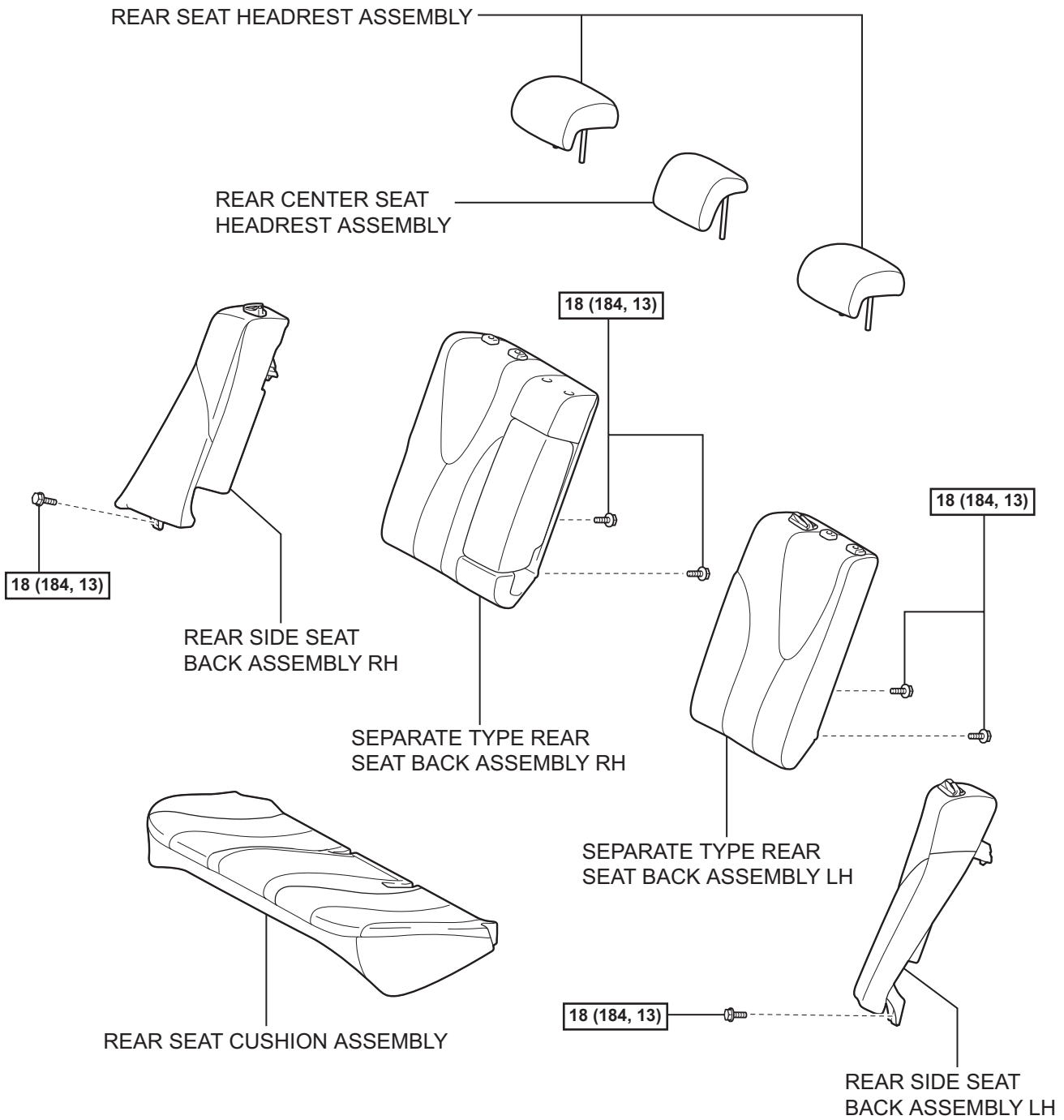
IR

for Fixed Seat Type:



**N\*m (kgf\*cm, ft.\*lbf)** : Specified torque

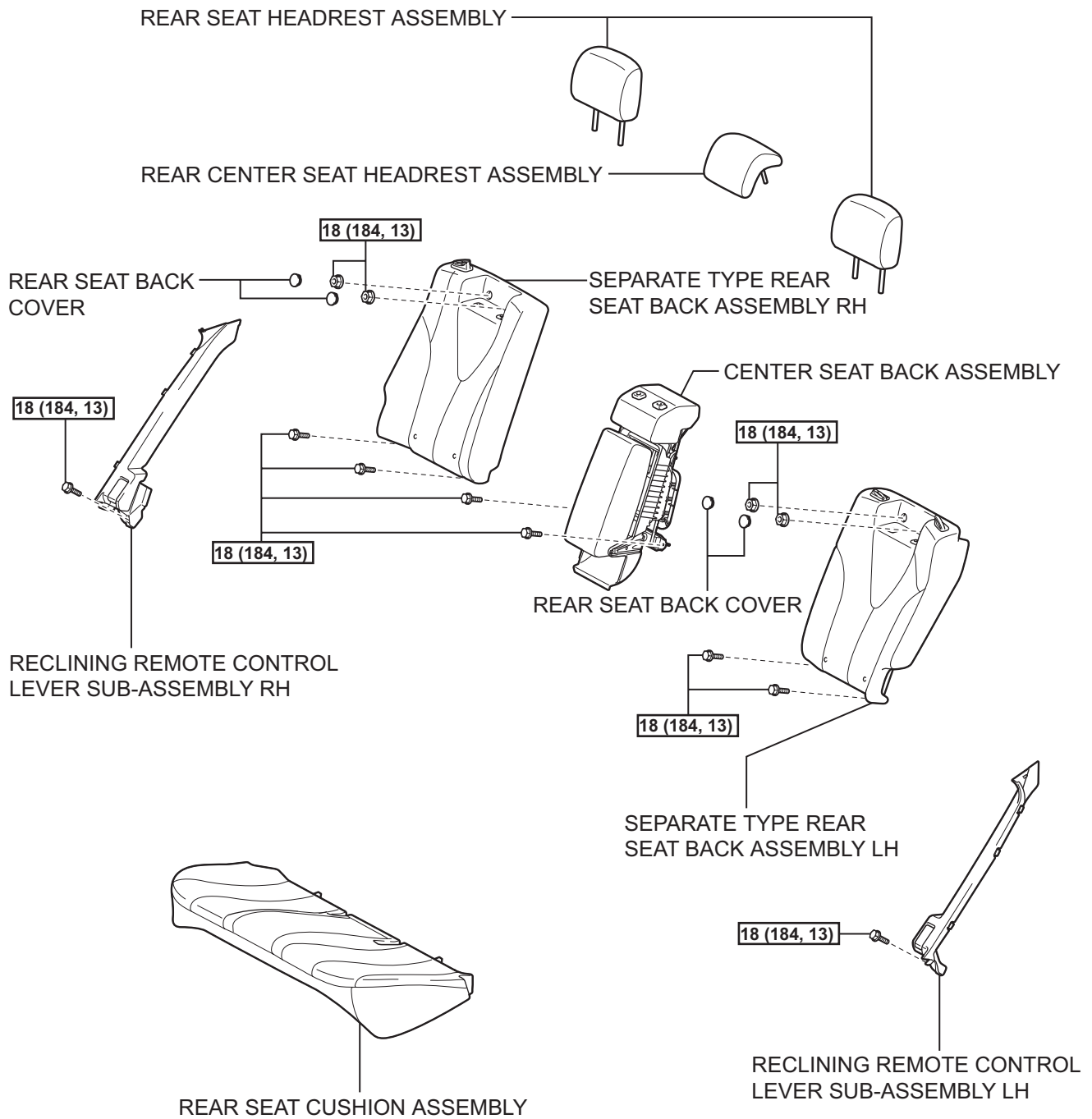
for Fold Down Seat Type:



**18 (184, 13)** N\*m (kgf\*cm, ft.\*lbf) : Specified torque

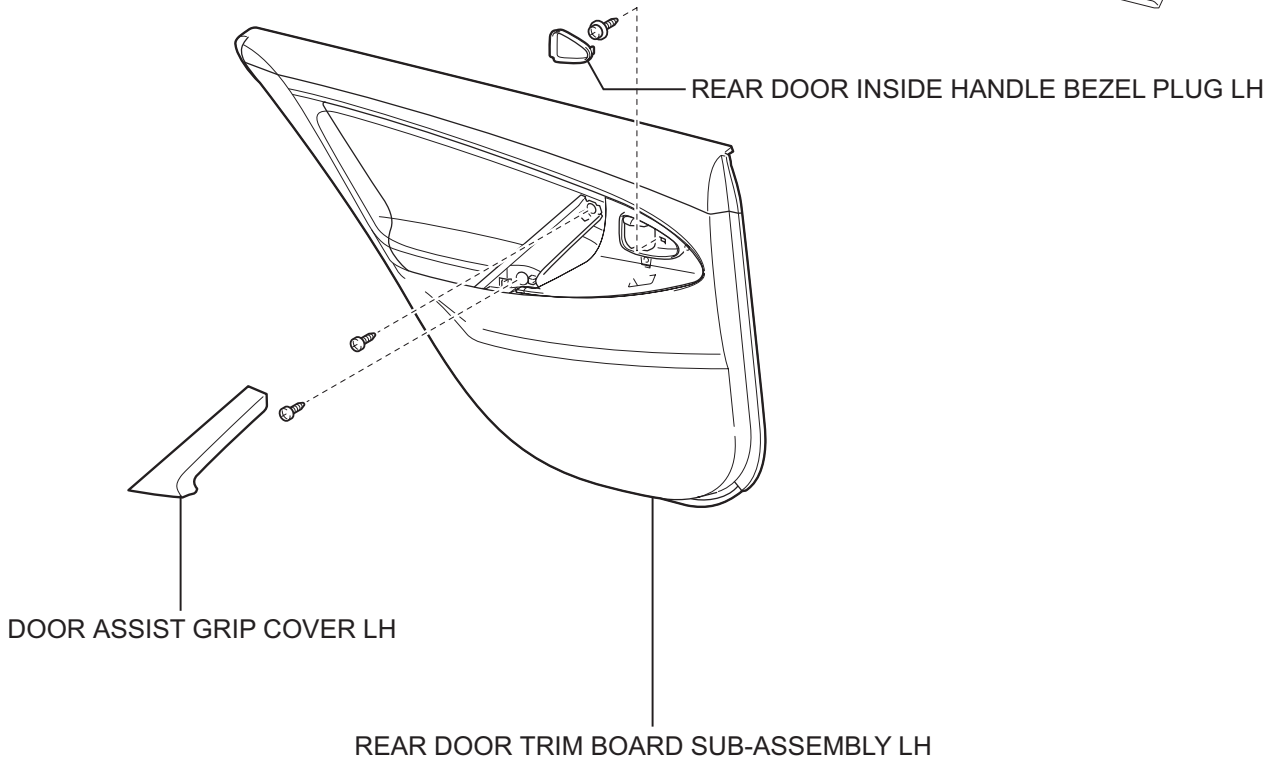
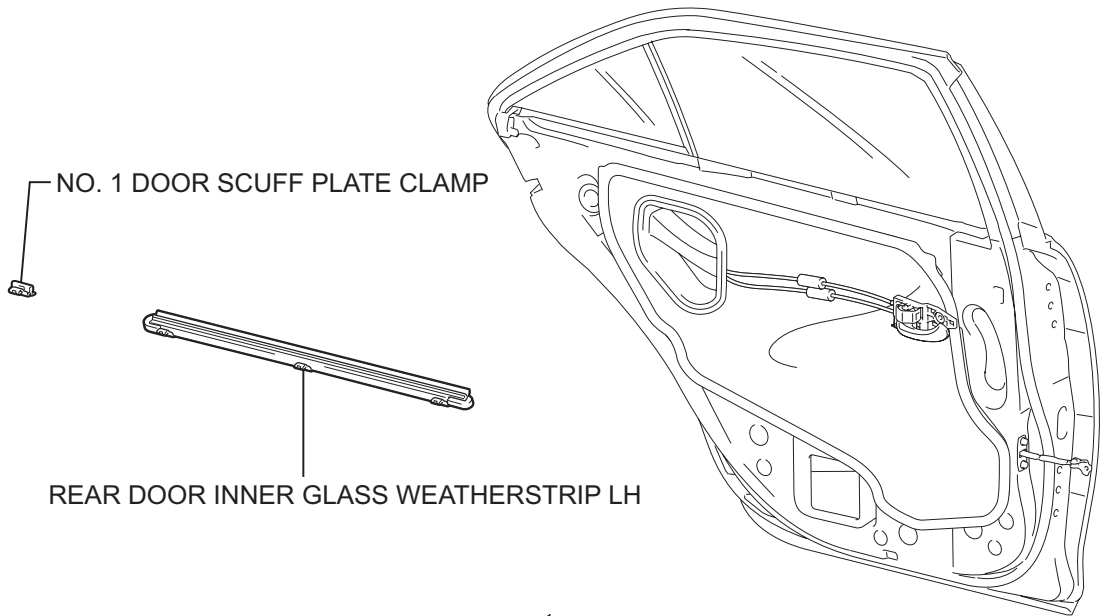
IR

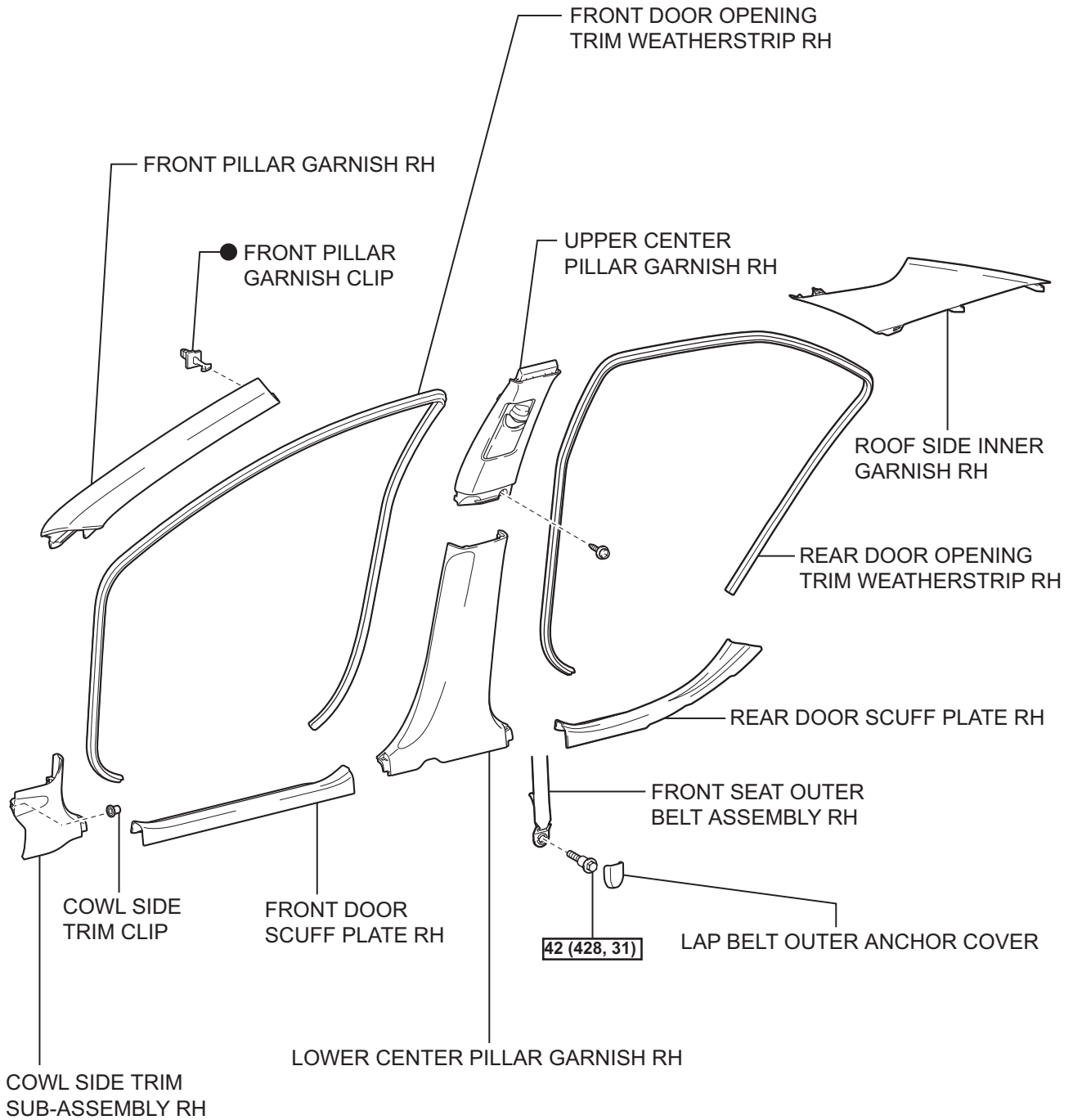
for Reclining Seat Type:



**N\*m (kgf\*cm, ft.\*lbf)** : Specified torque

IR

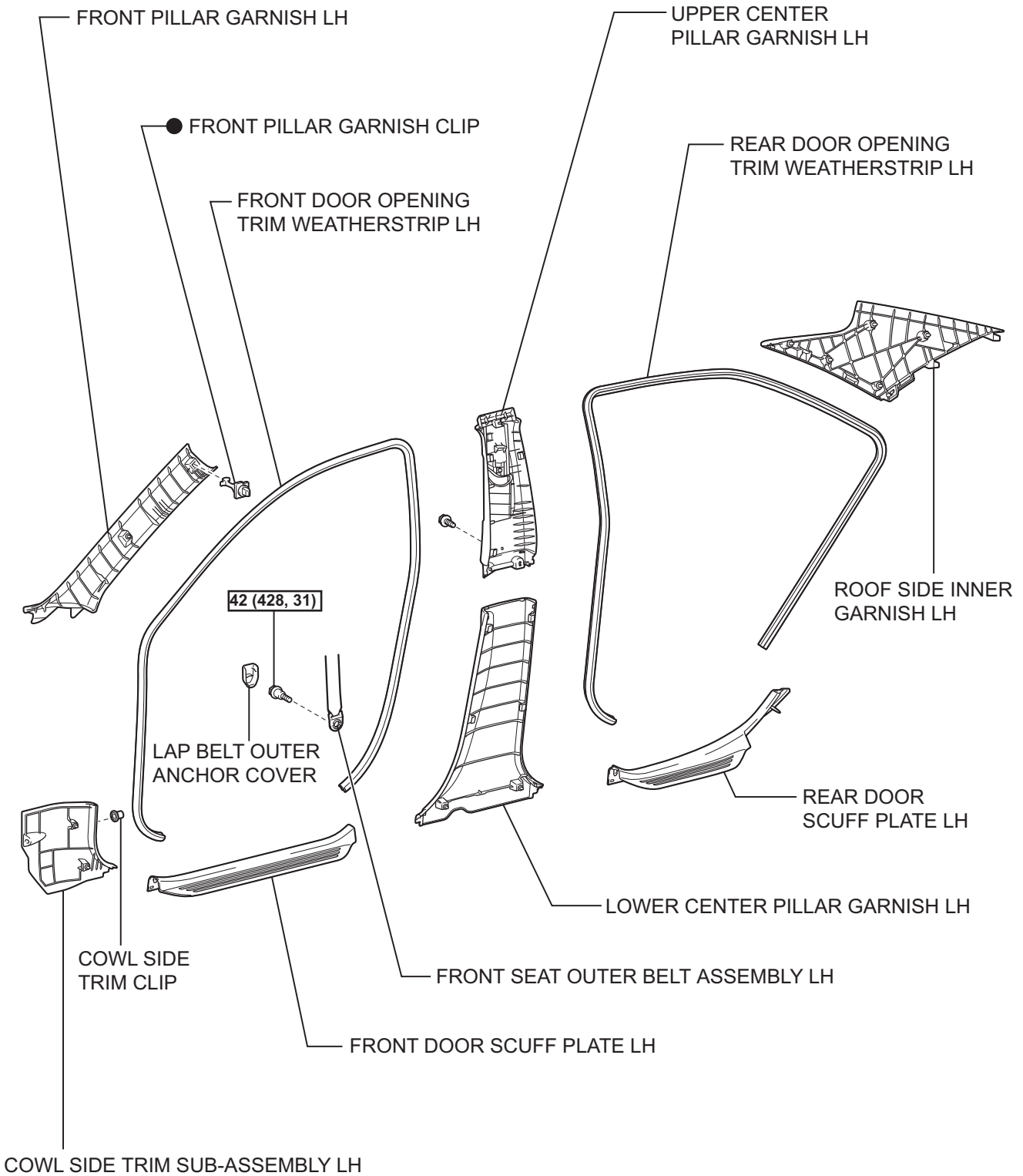




$\boxed{N*m (kgf*cm, ft.*lbf)}$ : Specified torque

● Non-reusable part

IR

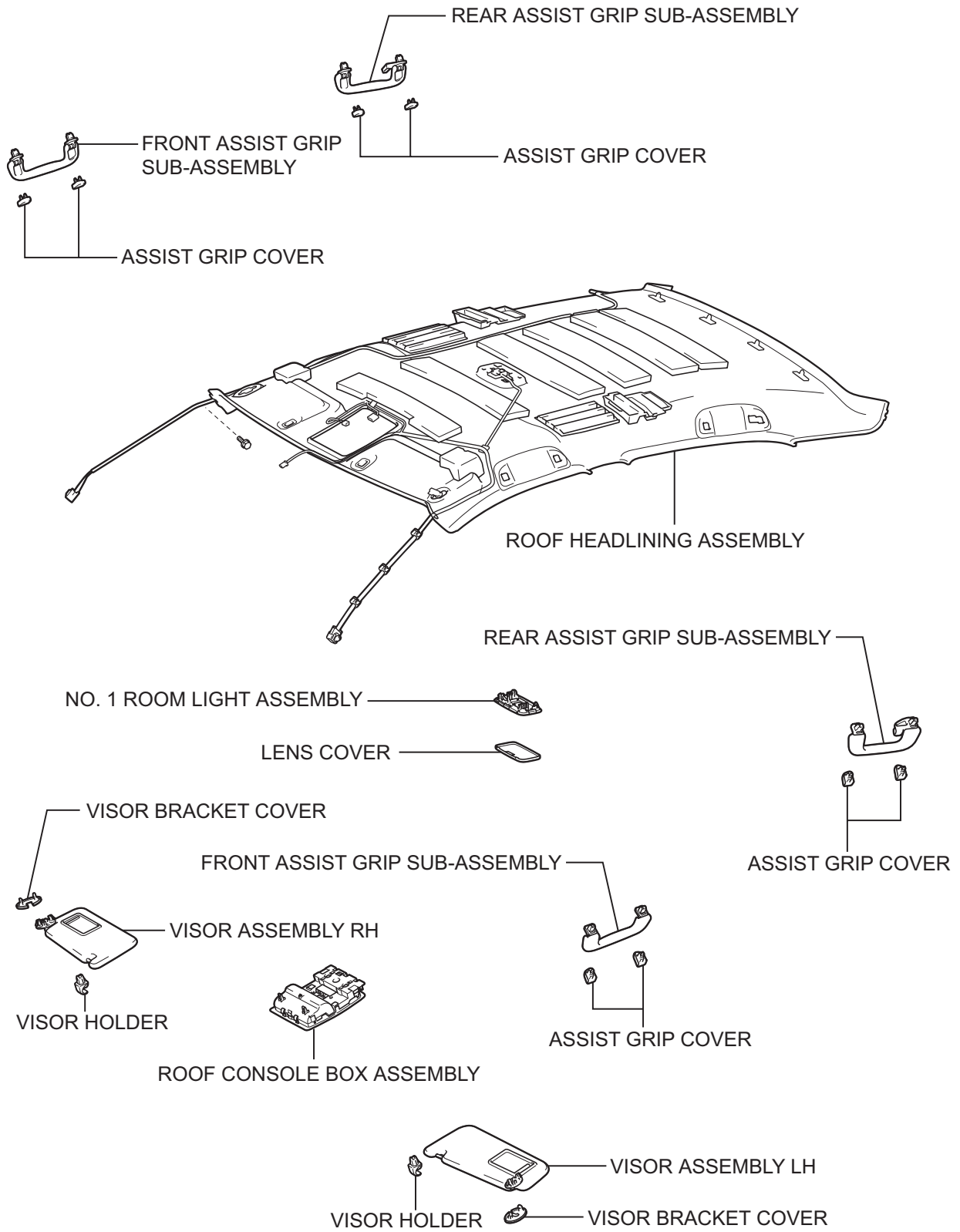


$N \cdot m$  (kgf $\cdot$ cm, ft. $\cdot$ lbf): Specified torque

● Non-reusable part

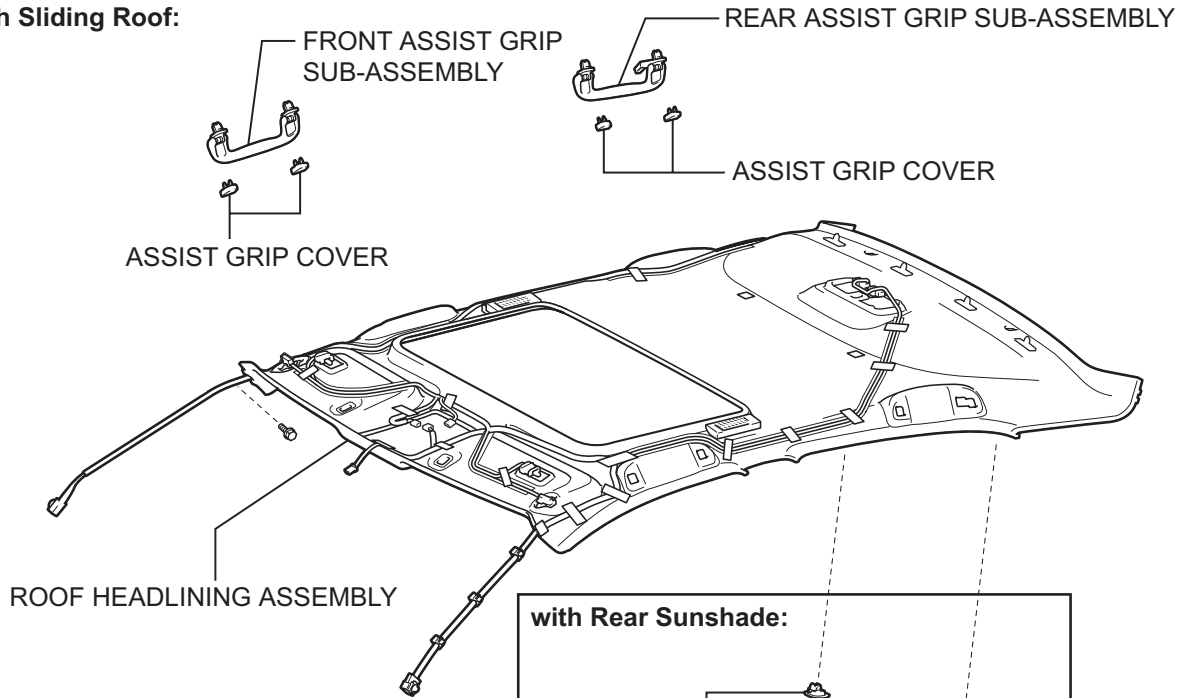


without Sliding Roof:

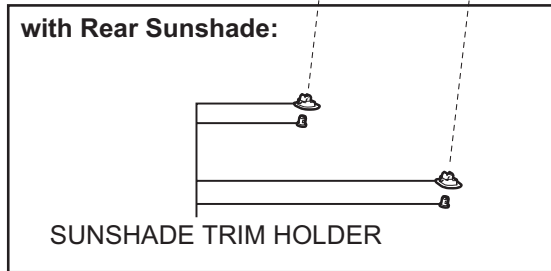


IR

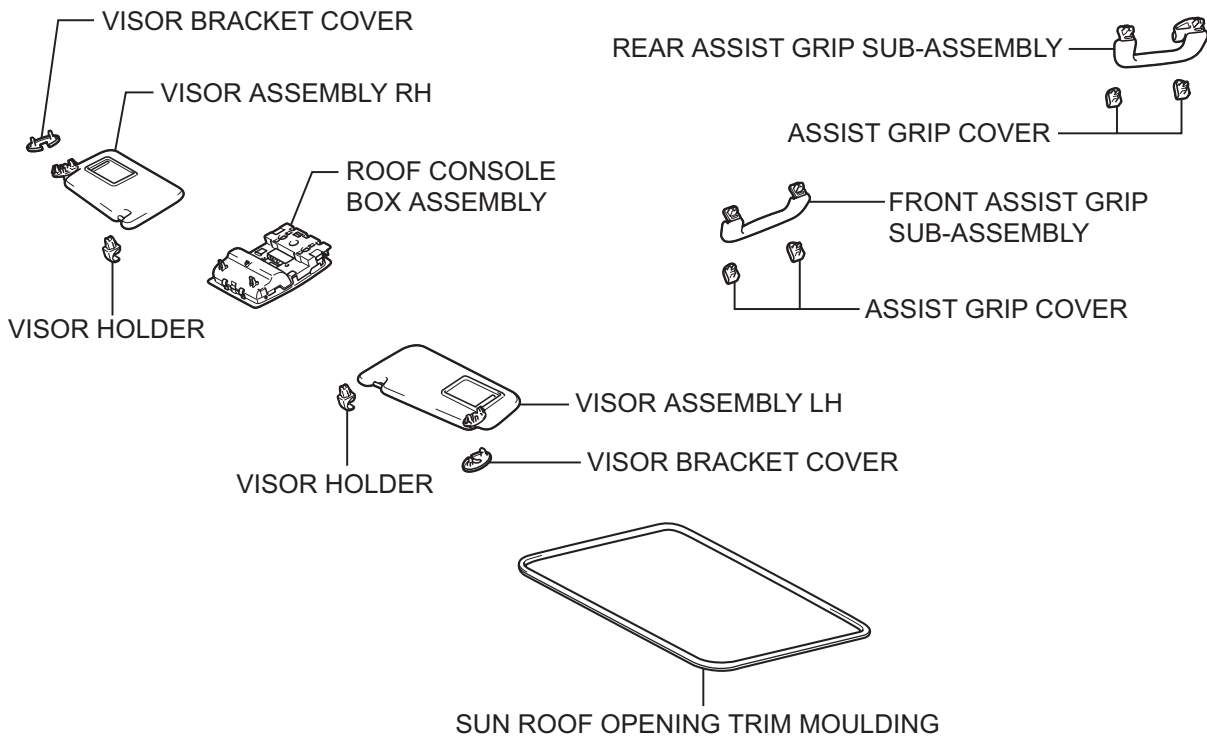
with Sliding Roof:



with Rear Sunshade:

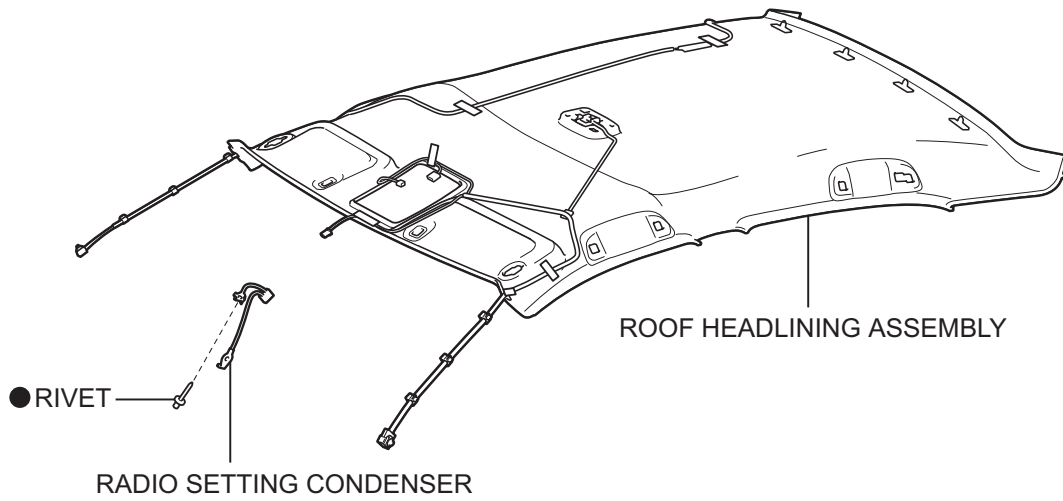
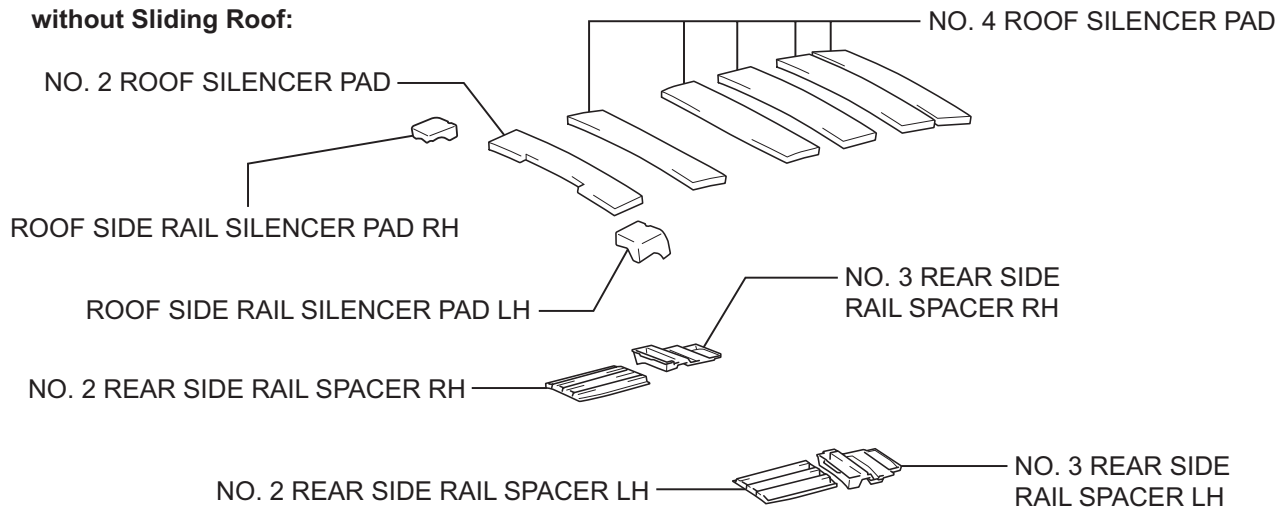


SPOT LIGHT ASSEMBLY

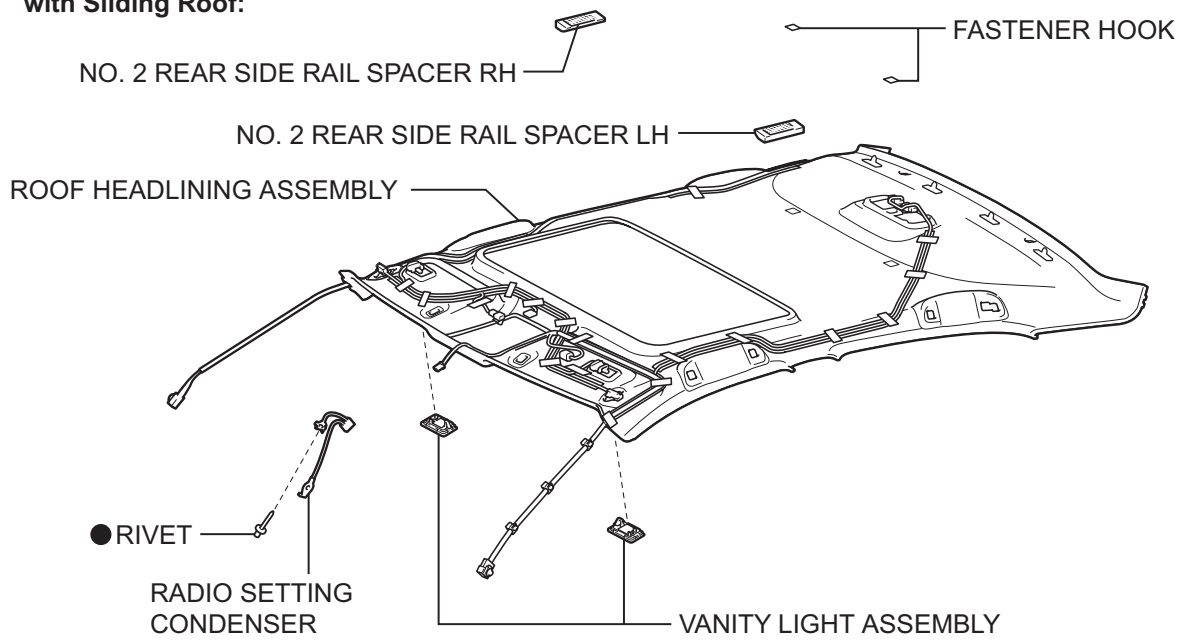


IR

**without Sliding Roof:**



**with Sliding Roof:**



● Non-reusable part

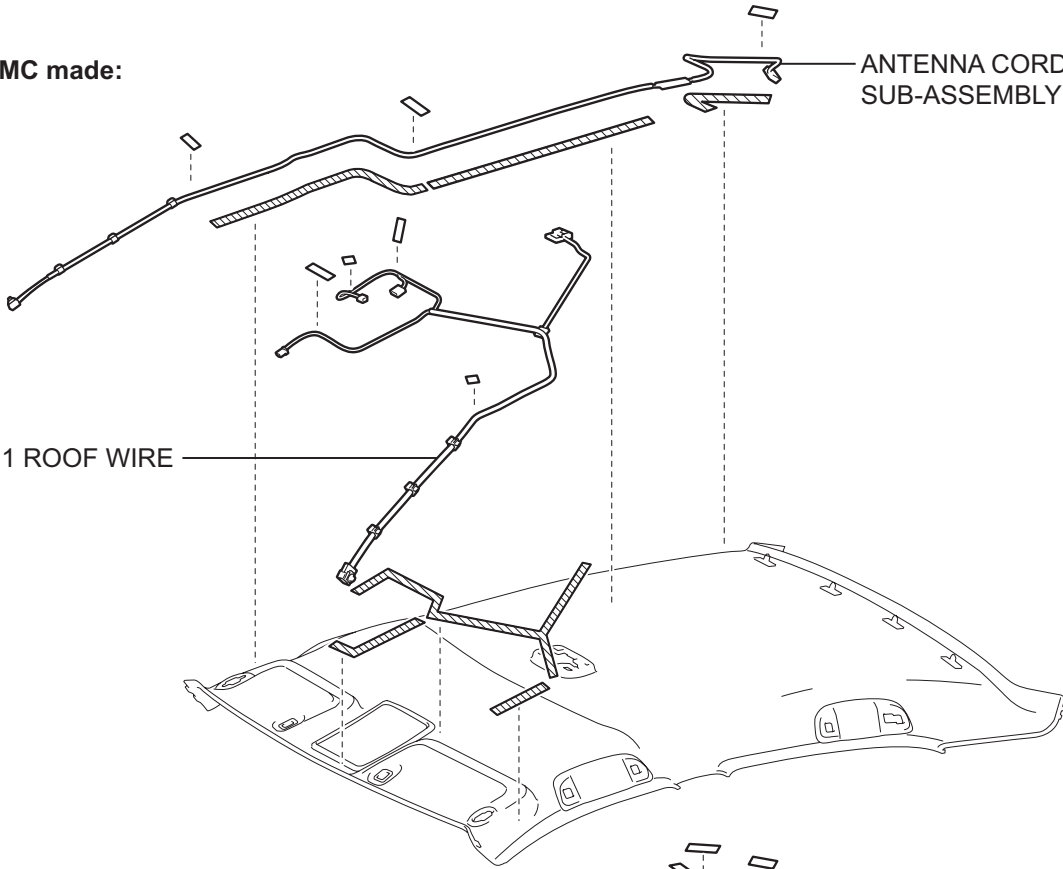
IR

without Sliding Roof:

for TMC made:

NO. 1 ROOF WIRE

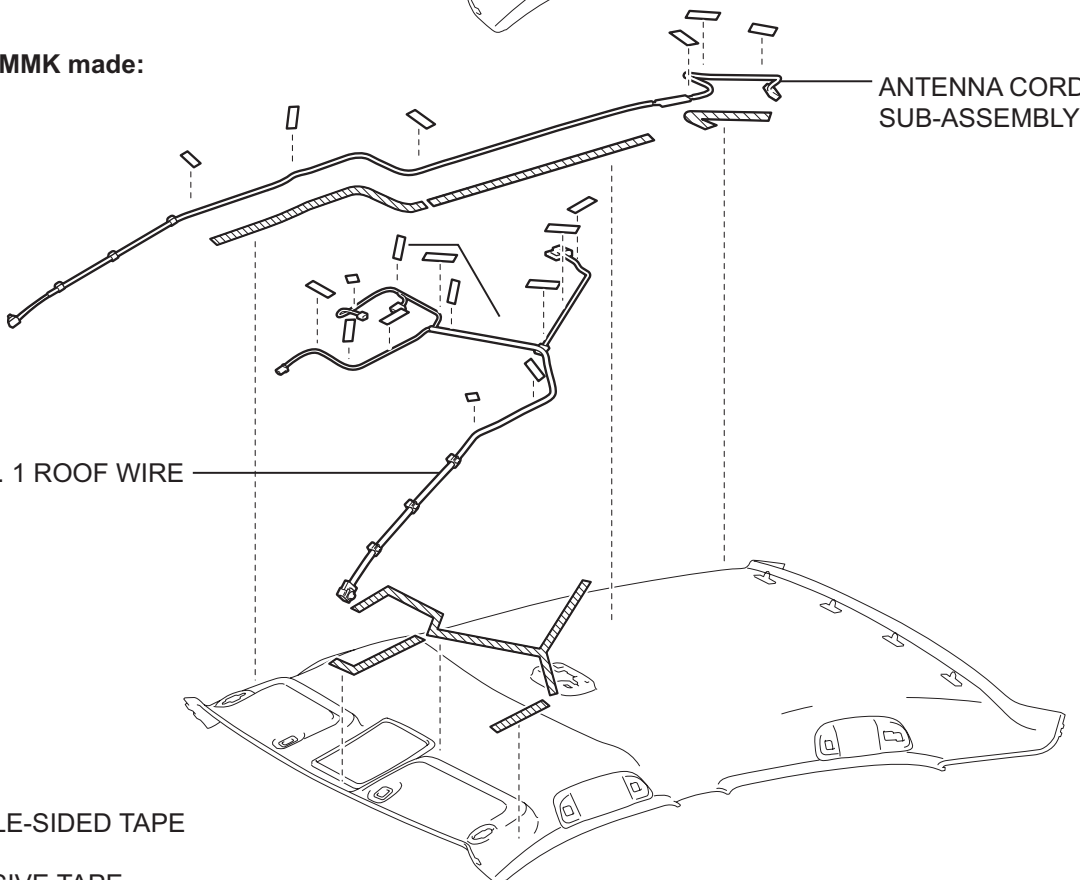
ANTENNA CORD  
SUB-ASSEMBLY





for TMMK made:

NO. 1 ROOF WIRE

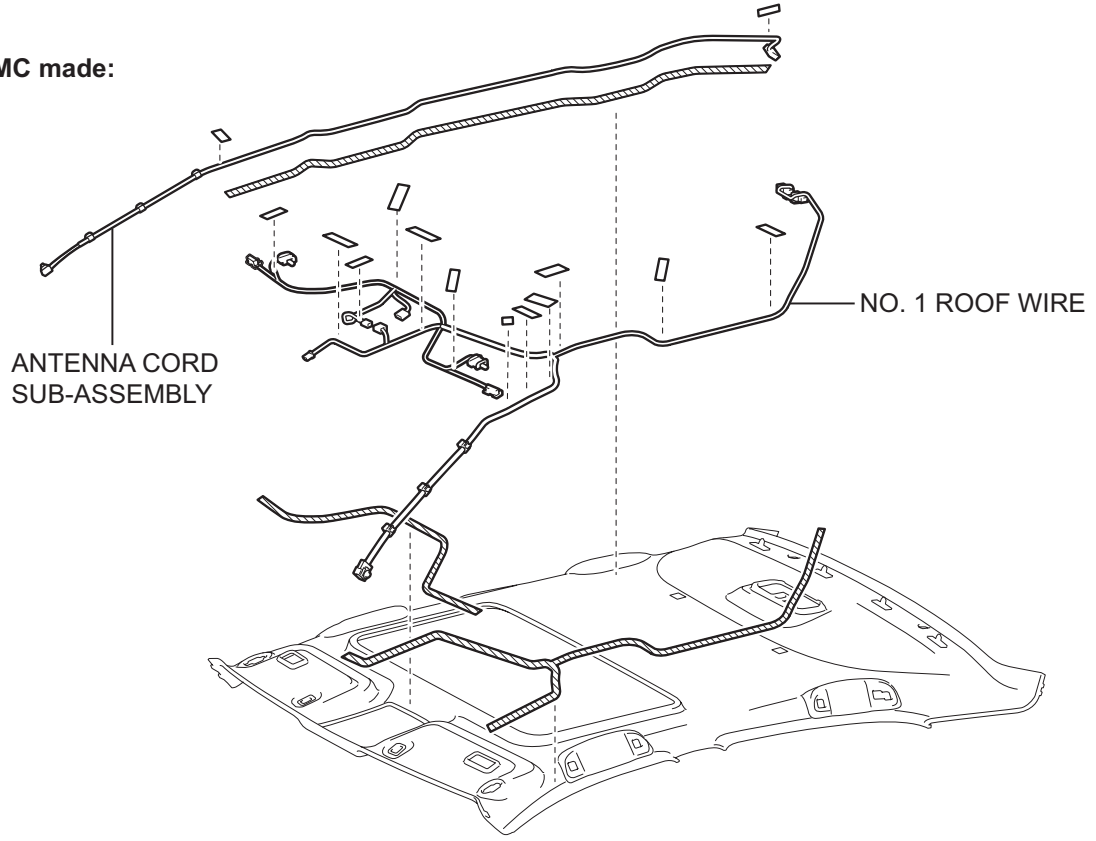
ANTENNA CORD  
SUB-ASSEMBLY



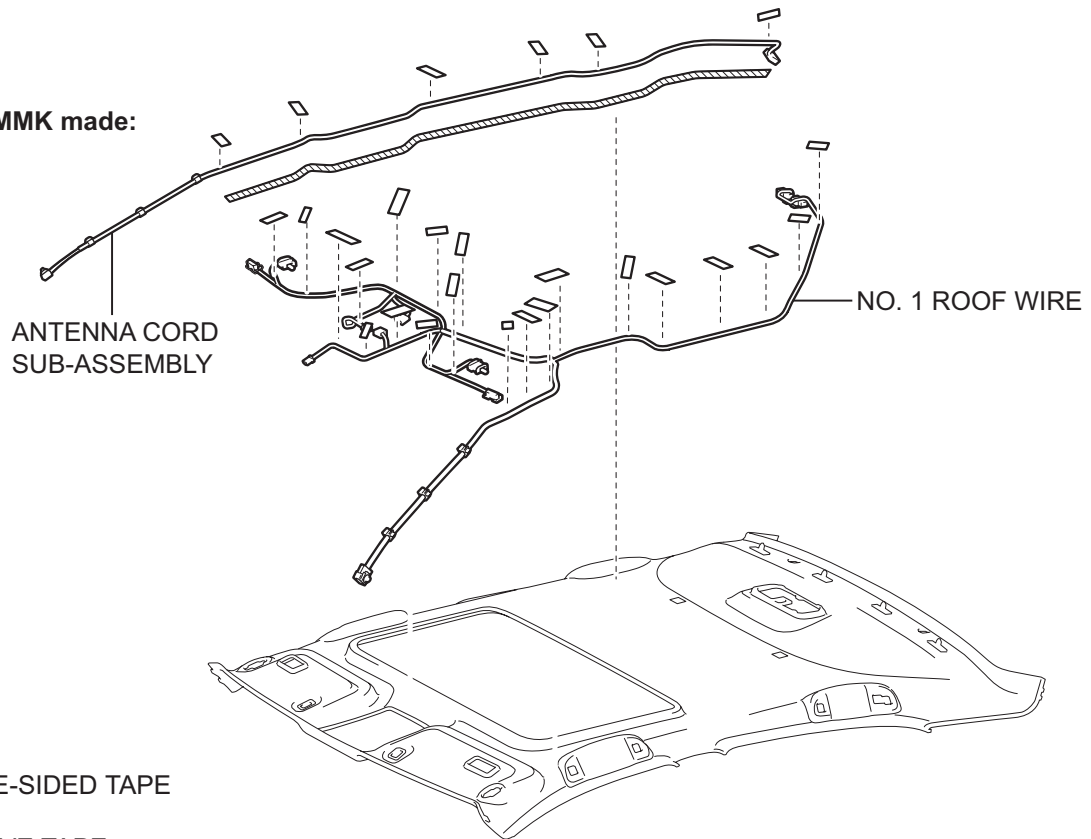
-  DOUBLE-SIDED TAPE
-  ADHESIVE TAPE



with Sliding Roof:

for TMC made:



for TMMK made:

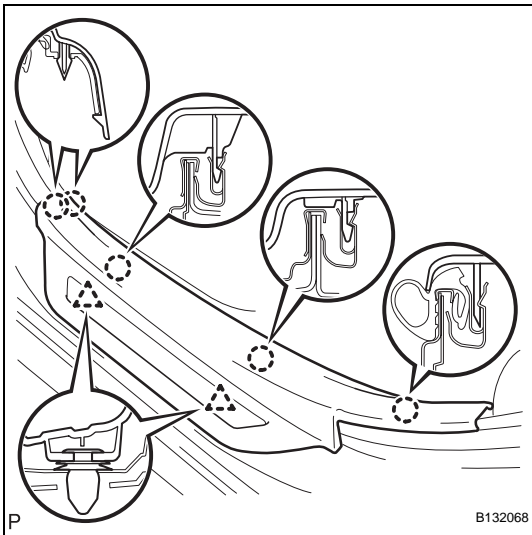


-  DOUBLE-SIDED TAPE
-  ADHESIVE TAPE

## REMOVAL

1. **DISCONNECT CABLE FROM NEGATIVE BATTERY TERMINAL (for Manual Seat)**  
**CAUTION:**  
Wait for 90 seconds after disconnecting the cable to prevent airbag deployment (See page [RS-1](#)).
2. **REMOVE FRONT SEAT HEADREST ASSEMBLY (for Manual Seat)**
3. **REMOVE SEAT TRACK COVER LH (for Manual Seat)**  
(See page [SE-16](#))
4. **REMOVE INNER SEAT TRACK BRACKET COVER LH (for Manual Seat)** (See page [SE-16](#))
5. **REMOVE FRONT SEAT ASSEMBLY LH (for Manual Seat)** (See page [SE-16](#))
6. **REMOVE FRONT SEAT HEADREST ASSEMBLY (for Power Seat)**
7. **REMOVE SEAT TRACK COVER LH (for Power Seat)**  
(See page [SE-30](#))
8. **REMOVE INNER SEAT TRACK BRACKET COVER RH (for Power Seat)** (See page [SE-30](#))
9. **REMOVE FRONT SEAT ASSEMBLY LH (for Power Seat)** (See page [SE-30](#))
10. **REMOVE FRONT SEAT HEADREST ASSEMBLY (for Manual Seat)**
11. **REMOVE SEAT TRACK COVER RH (for Manual Seat)**  
**HINT:**  
Use the same procedures for the RH side and the LH side.
12. **REMOVE INNER SEAT TRACK BRACKET COVER RH (for Manual Seat)**  
**HINT:**  
Use the same procedures for the RH side and the LH side.
13. **REMOVE FRONT SEAT ASSEMBLY RH (for Manual Seat)**  
**HINT:**  
Use the same procedures for the RH side and the LH side.
14. **REMOVE FRONT SEAT HEADREST ASSEMBLY (for Power Seat)**
15. **REMOVE SEAT TRACK COVER RH (for Power Seat)**  
**HINT:**  
Use the same procedures for the RH side and the LH side.

16. **REMOVE INNER SEAT TRACK BRACKET COVER LH (for Power Seat)**  
HINT:  
Use the same procedures for the RH side and the LH side.
17. **REMOVE FRONT SEAT ASSEMBLY RH (for Power Seat)**  
HINT:  
Use the same procedures for the RH side and the LH side.
18. **REMOVE REAR SEAT CUSHION ASSEMBLY (See page SE-77)**
19. **REMOVE REAR SEAT HEADREST ASSEMBLY**
20. **REMOVE REAR CENTER SEAT HEADREST ASSEMBLY**
21. **REMOVE REAR SEAT BACK ASSEMBLY (for Fixed Seat Type) (See page SE-77)**
22. **REMOVE SEPARATE TYPE REAR SEAT BACK ASSEMBLY LH (for Fold Down Seat Type) (See page SE-47)**
23. **REMOVE SEPARATE TYPE REAR SEAT BACK ASSEMBLY RH (for Fold Down Seat Type) (See page SE-47)**
24. **REMOVE REAR SIDE SEAT BACK ASSEMBLY LH (for Fold Down Seat Type) (See page SE-48)**
25. **REMOVE REAR SIDE SEAT BACK ASSEMBLY RH (for Fold Down Seat Type) (See page SE-48)**
26. **REMOVE REAR SEAT BACK COVER (for Reclining Seat Type) (See page SE-63)**
27. **REMOVE SEPARATE TYPE REAR SEAT BACK ASSEMBLY LH (for Reclining Seat Type) (See page SE-63)**
28. **REMOVE SEPARATE TYPE REAR SEAT BACK ASSEMBLY RH (for Reclining Seat Type) (See page SE-64)**
29. **REMOVE CENTER SEAT BACK ASSEMBLY (for Reclining Seat Type) (See page SE-64)**



- 30. REMOVE REAR DOOR SCUFF PLATE LH**  
 (a) Disengage the 5 claws and 2 clips, and remove the rear door scuff plate LH.

- 31. REMOVE REAR DOOR OPENING TRIM WEATHERSTRIP LH**

- 32. REMOVE REAR DOOR SCUFF PLATE RH**

HINT:

Use the same procedures for the RH side and the LH side.

- 33. REMOVE REAR DOOR OPENING TRIM WEATHERSTRIP RH**

- 34. REMOVE RECLINING REMOTE CONTROL LEVER SUB-ASSEMBLY LH (for Reclining Seat Type) (See page SE-68)**

- 35. REMOVE RECLINING REMOTE CONTROL LEVER SUB-ASSEMBLY RH (for Reclining Seat Type)**

HINT:

Use the same procedures for the RH side and the LH side.

- 36. REMOVE REAR DOOR INSIDE HANDLE BEZEL PLUG LH (See page ED-38)**

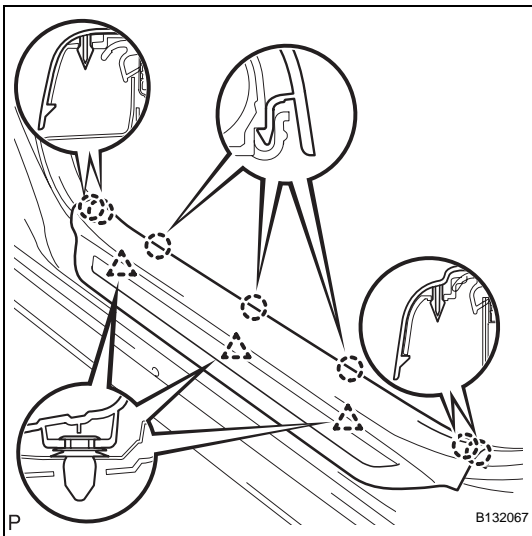
- 37. REMOVE DOOR ASSIST GRIP COVER LH (See page ED-38)**

- 38. REMOVE REAR DOOR TRIM BOARD SUB-ASSEMBLY LH (See page ED-39)**

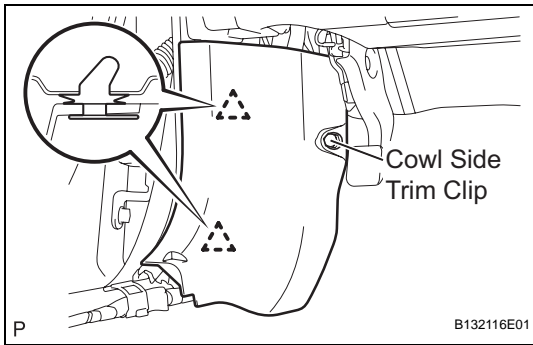
- 39. REMOVE REAR DOOR INNER GLASS WEATHERSTRIP LH (See page ED-40)**

- 40. REMOVE FRONT DOOR SCUFF PLATE LH**

- (a) Disengage the 7 claws and 3 clips, and remove the front door scuff plate LH.



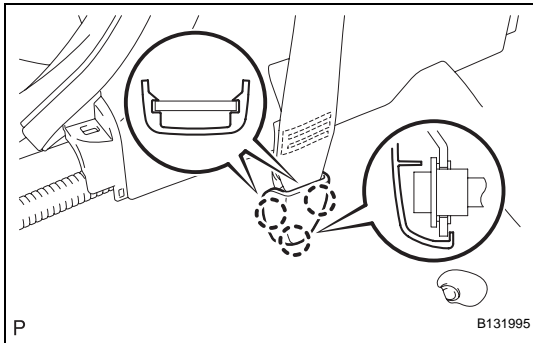




**41. REMOVE COWL SIDE TRIM SUB-ASSEMBLY LH**

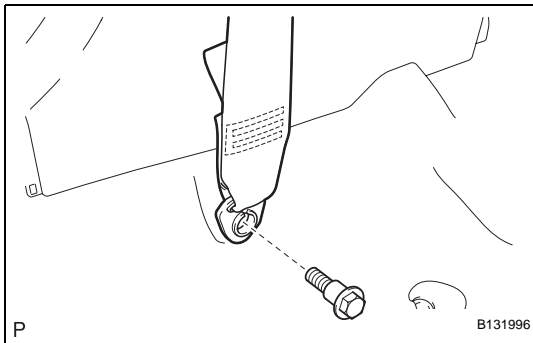
- (a) Remove the cowl side trim clip.
- (b) Disengage the 2 clips and remove the cowl side trim sub-assembly LH.

**42. REMOVE FRONT DOOR OPENING TRIM WEATHERSTRIP LH**



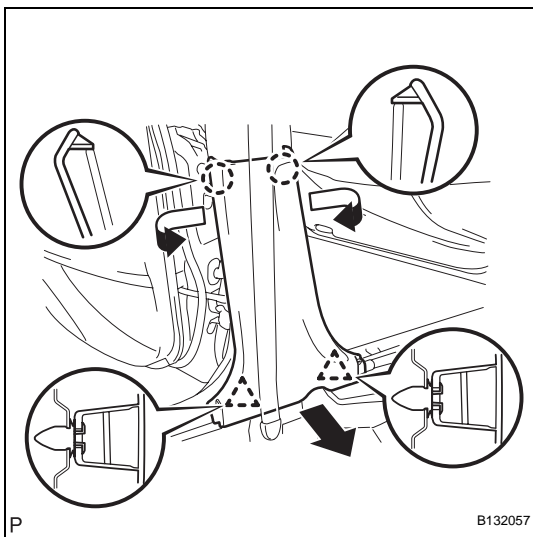
**43. REMOVE LAP BELT OUTER ANCHOR COVER (for LH Side)**

- (a) Disengage the 3 claws and remove the lap belt outer anchor cover.



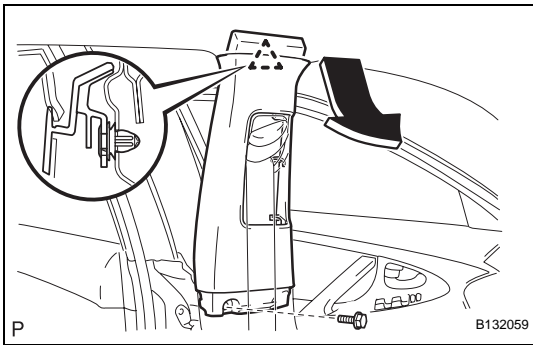
**44. DISCONNECT FRONT SEAT OUTER BELT ASSEMBLY LH**

- (a) Remove the bolt and disconnect the floor end of the front seat outer belt assembly.



**45. REMOVE LOWER CENTER PILLAR GARNISH LH**

- (a) Disengage the 2 claws and 2 clips, and remove the lower center pillar garnish LH.



- 46. REMOVE UPPER CENTER PILLAR GARNISH LH**  
 (a) Remove the bolt.  
 (b) Disengage the clip and remove the upper center pillar garnish LH.

**47. REMOVE FRONT DOOR SCUFF PLATE RH**

HINT:

Use the same procedures for the RH side and the LH side.

**48. REMOVE COWL SIDE TRIM SUB-ASSEMBLY RH**

HINT:

Use the same procedures for the RH side and the LH side.

**49. REMOVE FRONT DOOR OPENING TRIM WEATHERSTRIP RH**

**50. REMOVE LAP BELT OUTER ANCHOR COVER (for RH Side)**

HINT:

Use the same procedures for the RH side and the LH side.

**51. DISCONNECT FRONT SEAT OUTER BELT ASSEMBLY RH**

HINT:

Use the same procedures for the RH side and the LH side.

**52. REMOVE LOWER CENTER PILLAR GARNISH RH**

HINT:

Use the same procedures for the RH side and the LH side.

**53. REMOVE UPPER CENTER PILLAR GARNISH RH**

HINT:

Use the same procedures for the RH side and the LH side.

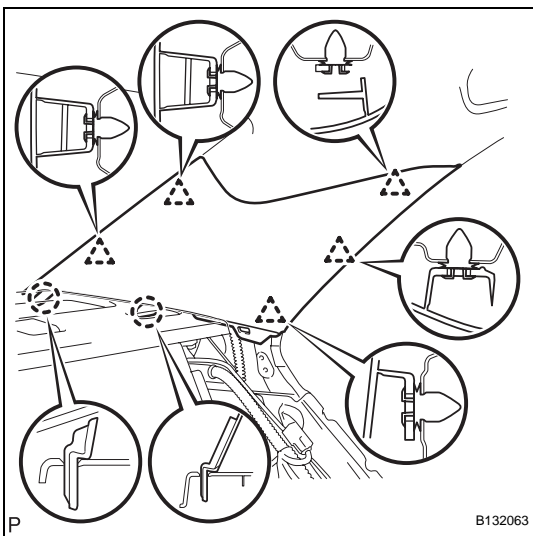
**54. REMOVE ROOF SIDE INNER GARNISH LH**

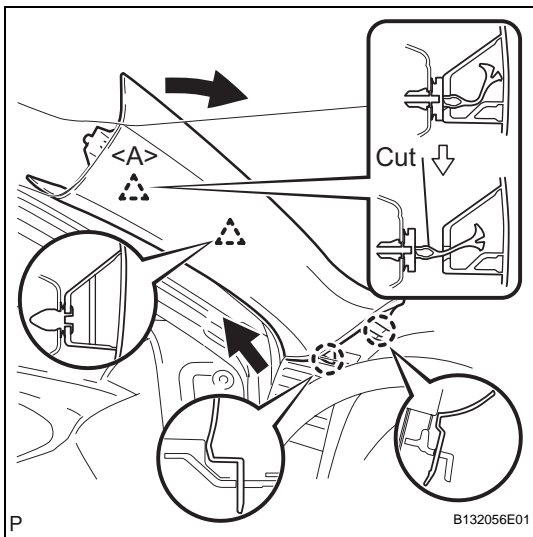
- (a) Disengage the 5 clips and 2 claws, and remove the roof side inner garnish LH.

**55. REMOVE ROOF SIDE INNER GARNISH RH**

HINT:

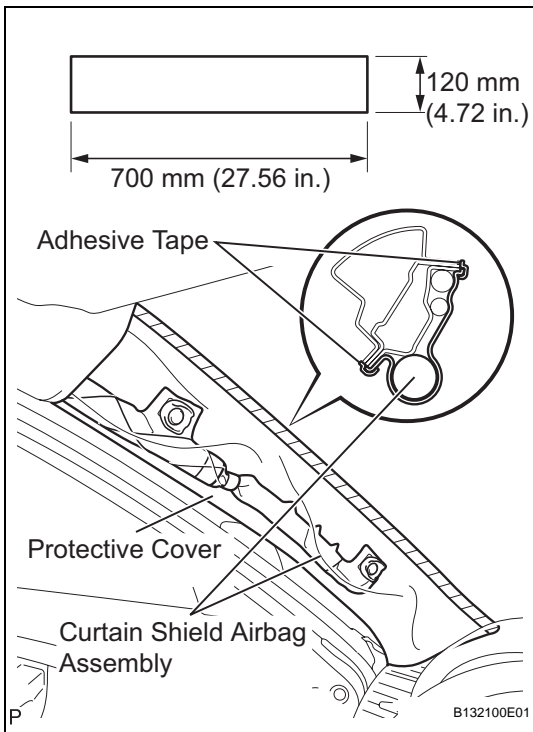
Use the same procedures for the RH side and the LH side.





**56. REMOVE FRONT PILLAR GARNISH LH**

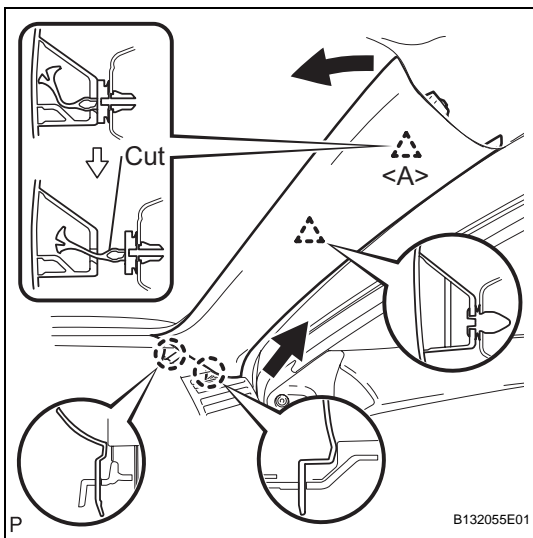
- (a) Pull the upper part of the garnish toward the inside of the cabin and disengage the 2 clips.
- (b) Cut off the clip <A>.
- (c) Disengage the 2 claws and remove the front pillar garnish LH.
- (d) Remove the clip <A> from the vehicle body.



- (e) Protect the curtain shield airbag assembly.
  - (1) Cover the airbag with a 700 mm (27.56 in.) x 120 mm (4.72 in.) cloth or piece of nylon and fix the ends of the cover with tape, as shown in the illustration.

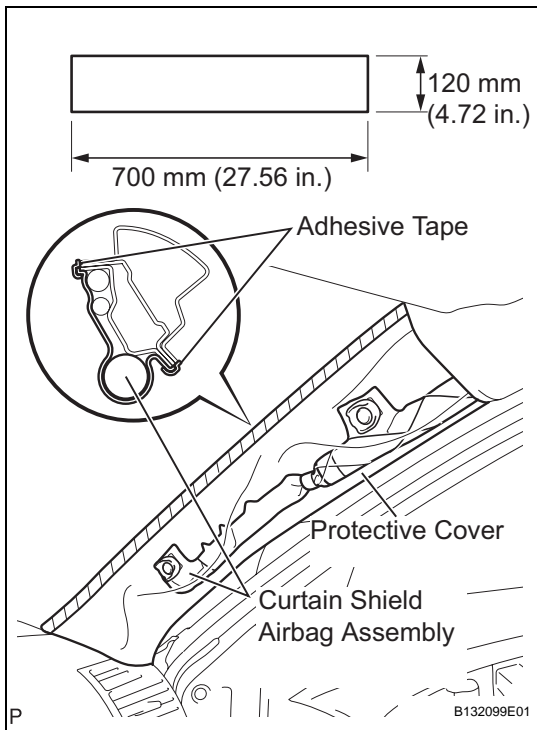
**NOTICE:**

**Cover the curtain shield airbag with a protective cover as soon as the front pillar garnish is removed.**



**57. REMOVE FRONT PILLAR GARNISH RH**

- (a) Pull the upper part of the garnish toward the inside of the cabin and disengage the 2 clips.
- (b) Cut off the clip <A>.
- (c) Disengage the 2 claws and remove the front pillar garnish RH.
- (d) Remove the clip <A> from the vehicle body.

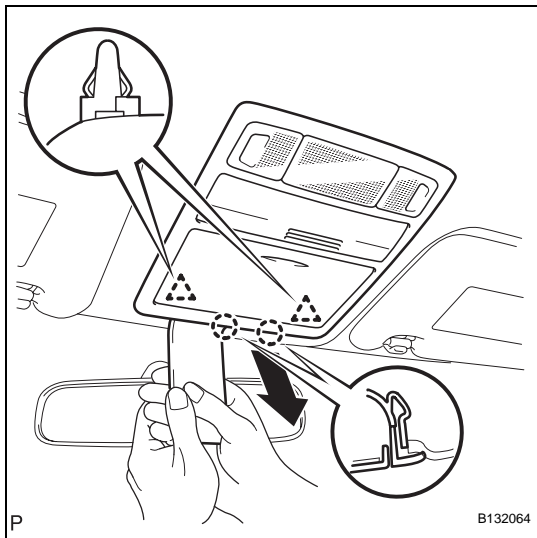


- (e) Protect the curtain shield airbag assembly.
- (1) Cover the airbag with a 700 mm (27.56 in.) x 120 mm (4.72 in.) cloth or piece of nylon and fix the ends of the cover with tape, as shown in the illustration.

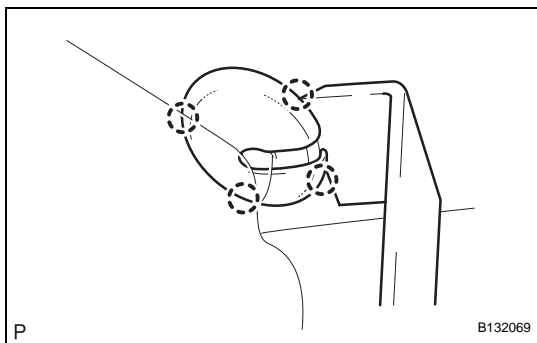
**NOTICE:**

**Cover the curtain shield airbag with a protective cover as soon as the front pillar garnish is removed.**

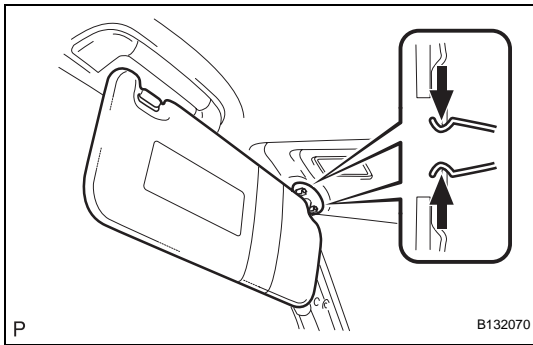
IR

**58. REMOVE ROOF CONSOLE BOX ASSEMBLY**

- (a) Using a moulding remover, disengage the 2 clips and 2 claws.
- (b) Disconnect the connectors and remove the roof console box assembly.

**59. REMOVE VISOR ASSEMBLY LH**

- (a) Using a moulding remover, disengage the 4 claws and remove the visor bracket cover.



(b) Disengage the 2 clips and remove the visor assembly LH.

**60. REMOVE VISOR ASSEMBLY RH**

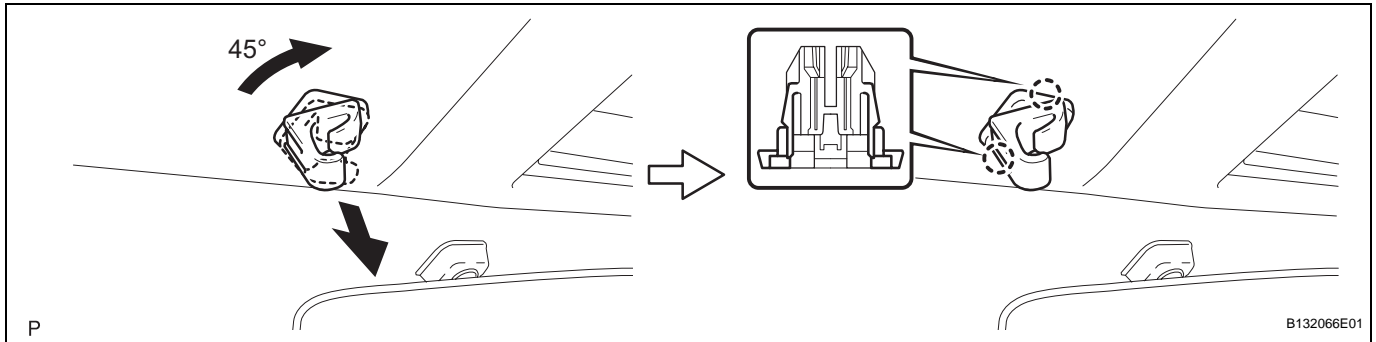
HINT:

Use the same procedures for the RH side and the LH side.

**61. REMOVE VISOR HOLDER**

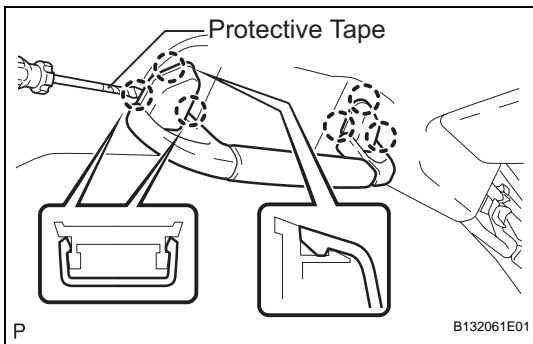
(a) Turn the visor holder approximately 45° and pull it out as shown in the illustration.

(b) Disengage the 2 claws and remove the visor holder.



HINT:

Use the same procedures for the RH side and the LH side.

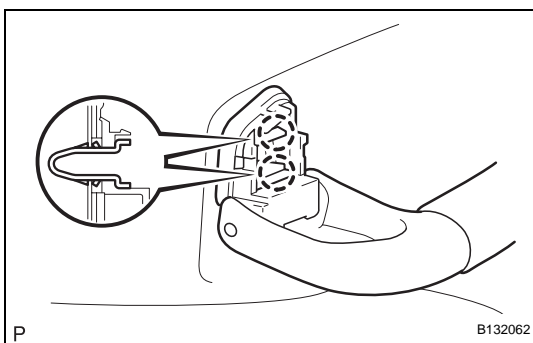


**62. REMOVE FRONT ASSIST GRIP SUB-ASSEMBLY**

(a) Using a screwdriver, disengage the 6 claws and remove the 2 assist grip covers.

HINT:

Tape the screwdriver tip before use.



(b) Disengage the 2 clips and remove the front assist grip sub-assembly.

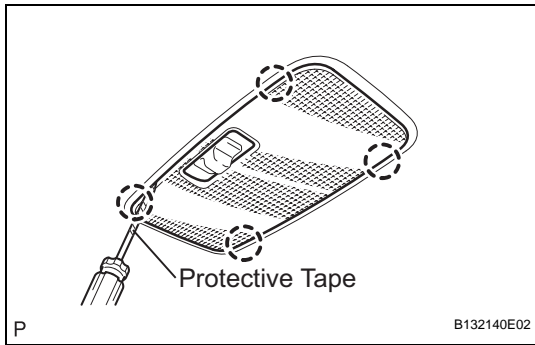
HINT:

Use the same procedures for the RH side and the LH side.

**63. REMOVE REAR ASSIST GRIP SUB-ASSEMBLY**

HINT:

Use the same procedures for the rear side and the front side.

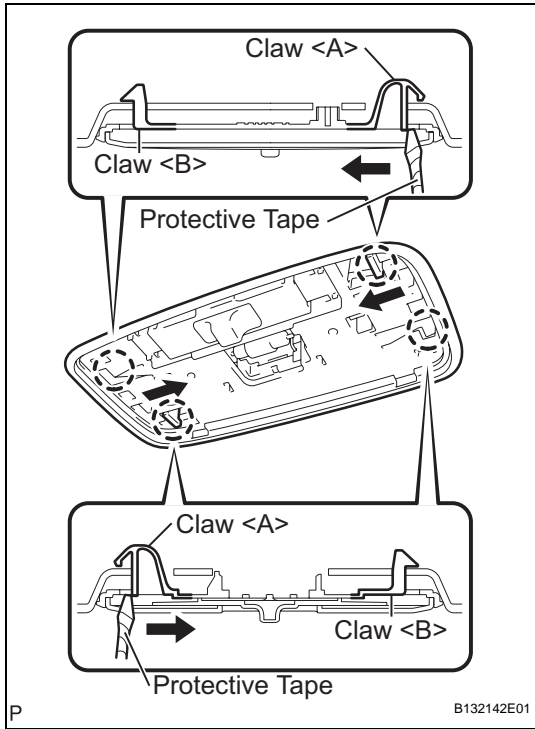


**64. REMOVE NO. 1 ROOM LIGHT ASSEMBLY (w/o Sliding Roof)**

- (a) Using a screwdriver, disengage the 4 claws and remove the lens cover.

HINT:

Tape the screwdriver tip before use.



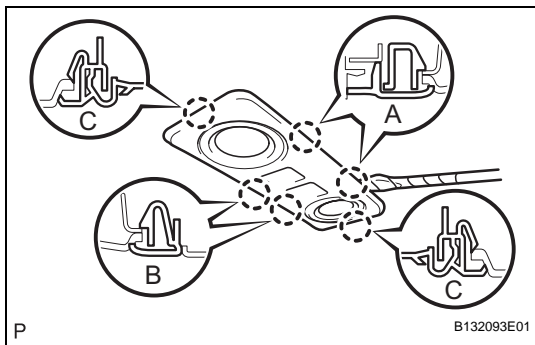
- (b) Using a screwdriver, disengage the 2 claws <A> as shown in the illustration.

HINT:

Tape the screwdriver tip before use.

- (c) Disengage the 2 claws <B> and remove the No. 1 room light assembly.

- (d) Disconnect the room light connector.



**65. REMOVE SPOT LIGHT ASSEMBLY (w/ Sliding Roof)**

- (a) Using a screwdriver, disengage the 2 claws labeled A and 2 claws labeled B from the vehicle body.

HINT:

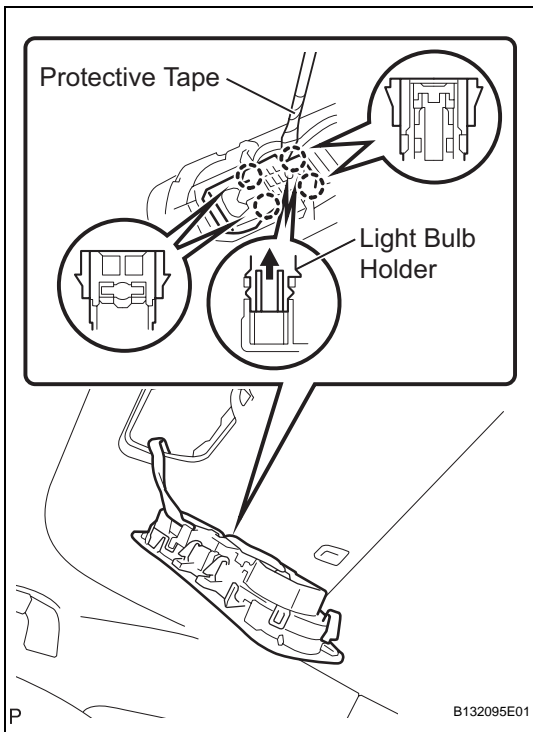
Tape the screwdriver tip before use.

- (b) Using a screwdriver, disengage the 2 claws labeled C and remove the spot light assembly from the headlining.

HINT:

Tape the screwdriver tip before use.

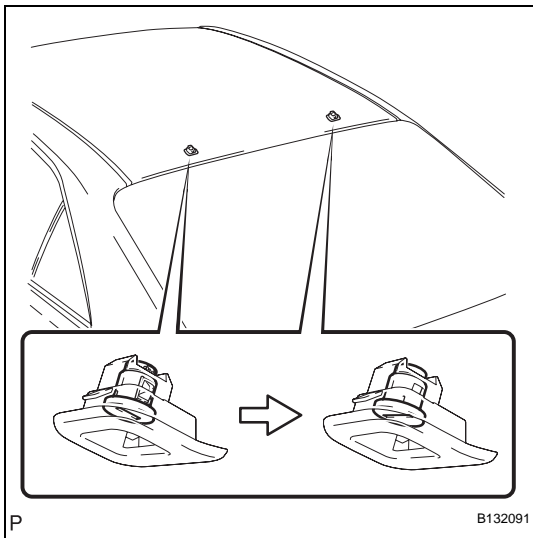
IR



- (c) Using a screwdriver, disengage the 4 claws.  
HINT:  
Tape the screwdriver tip before use.
- (d) Pull the light bulb holder in the direction indicated by the arrow in the illustration to detach the claw. Then remove the spot light assembly from the light bulb holder.

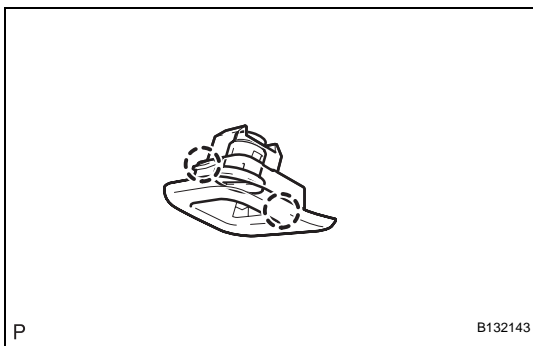
**66. REMOVE SUN ROOF OPENING TRIM MOULDING (w/ Sliding Roof)**

- (a) Remove the sun roof opening trim moulding.



**67. REMOVE SUNSHADE TRIM HOLDER (w/ Rear Sunshade)**

- (a) Using a screwdriver, turn the pin of each sunshade trim holder 90°.

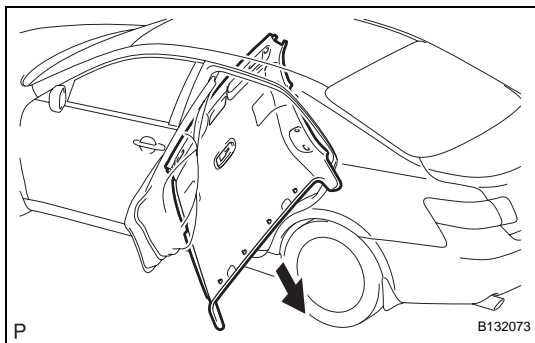
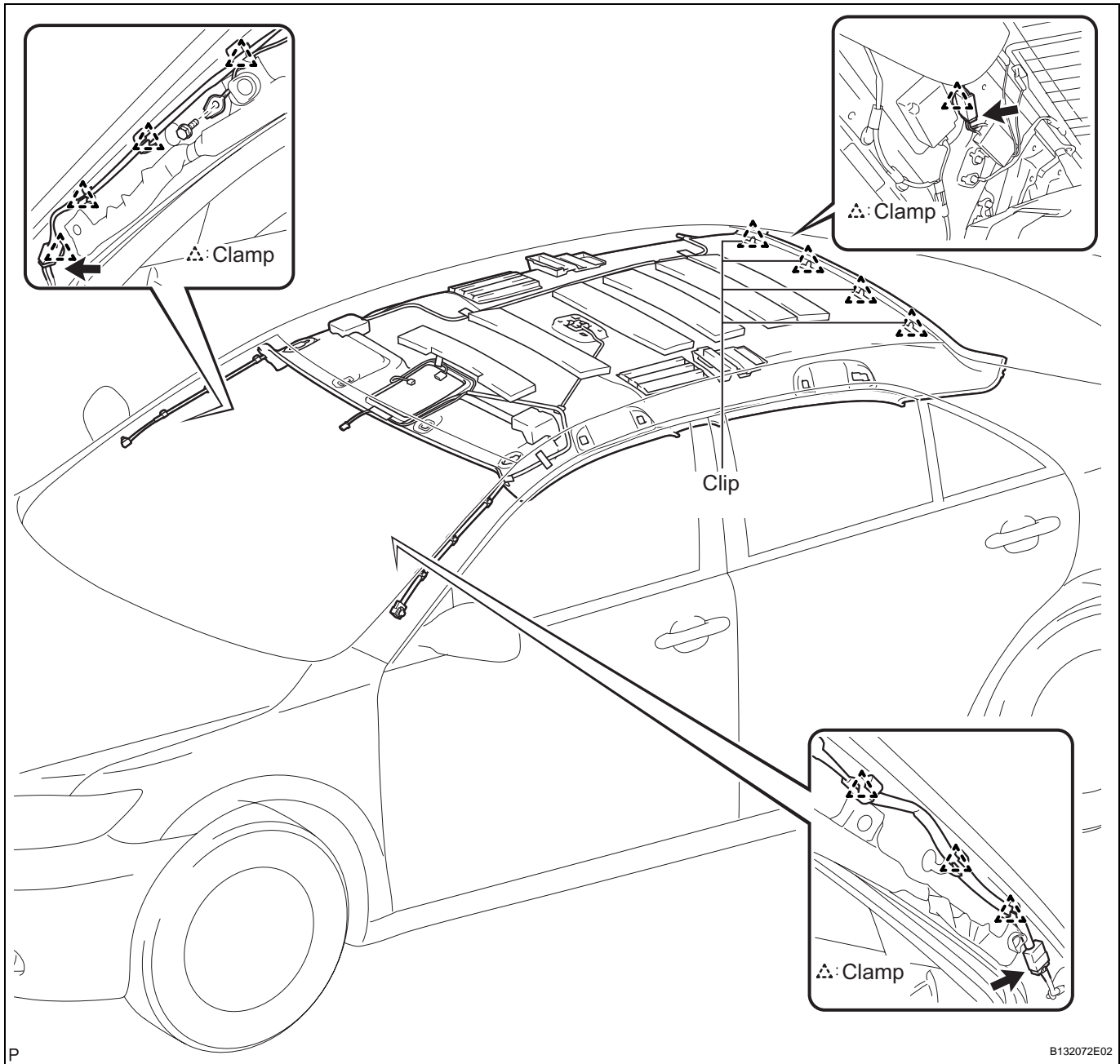


- (b) Disengage the 2 claws and remove the sunshade trim holder.

**68. REMOVE ROOF HEADLINING ASSEMBLY (w/o Sliding Roof)**

- (a) Disconnect the No. 1 roof wire connector and disengage each clamp from the front pillar LH.
- (b) Remove the bolt and disconnect the radio setting condenser from the front pillar RH.
- (c) Disconnect the antenna cord sub-assembly connector and disengage each clamp from the front pillar RH.
- (d) Disconnect the antenna cord sub-assembly connector and disengage the clamp from the rear pillar RH.

(e) Disengage the 4 clips.



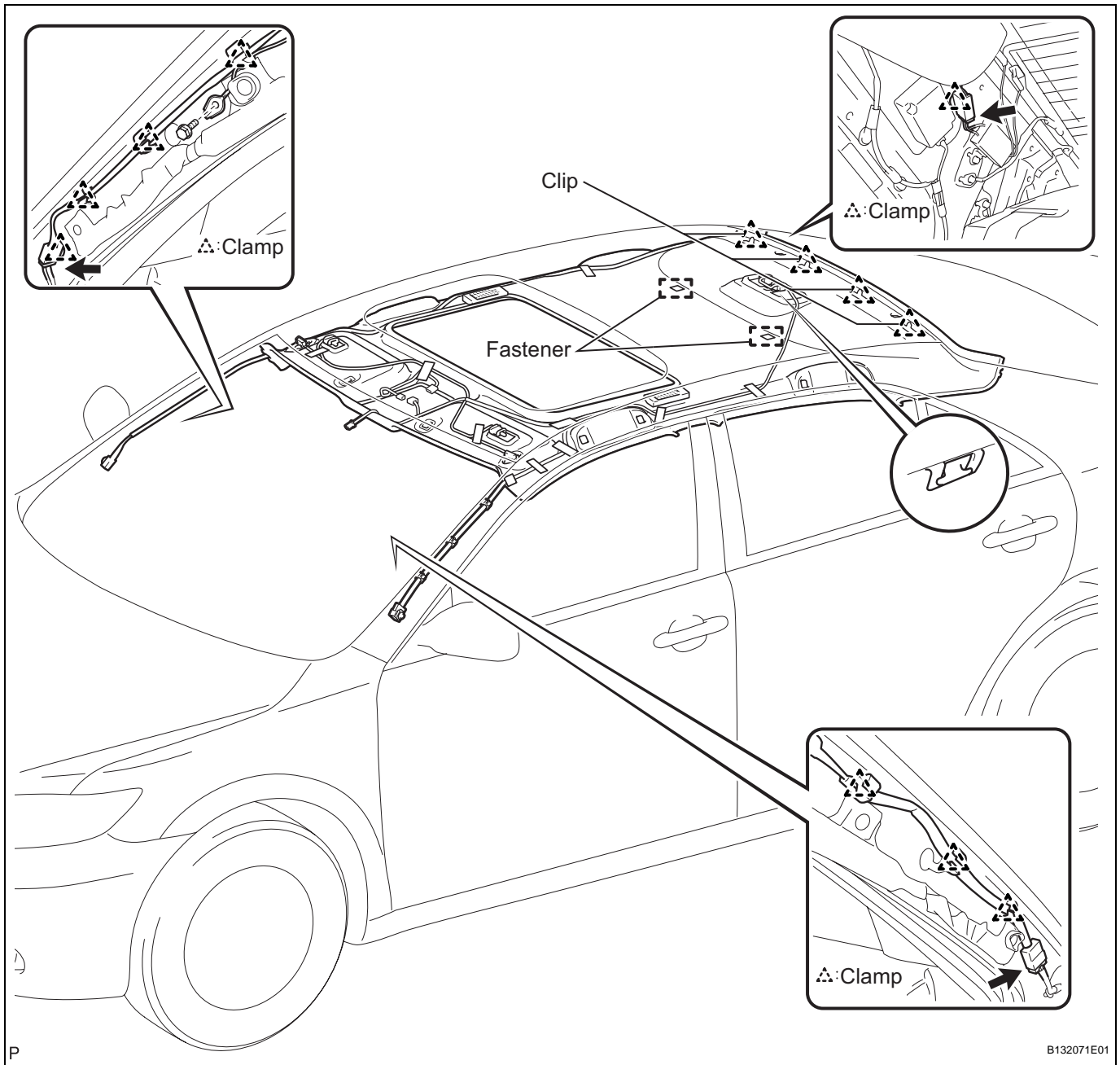
(f) Remove the roof headlining assembly from the vehicle through the rear left door.

**69. REMOVE ROOF HEADLINING ASSEMBLY (w/ Sliding Roof)**

- (a) Disconnect the No. 1 roof wire connector and disengage each clamp from the front pillar LH.
- (b) Remove the bolt and disconnect the radio setting condenser from the front pillar RH.
- (c) Disconnect the antenna cord sub-assembly connector and disengage each clamp from the front pillar RH.
- (d) Disconnect the antenna cord sub-assembly connector and disengage the clamp from the rear pillar RH.

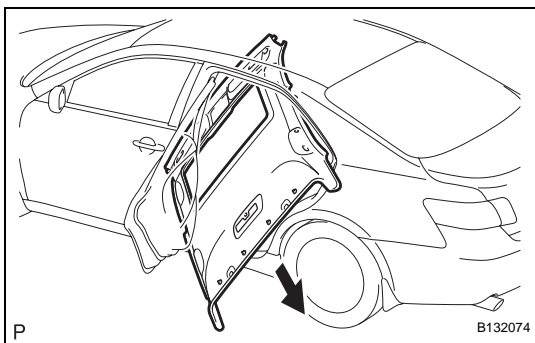


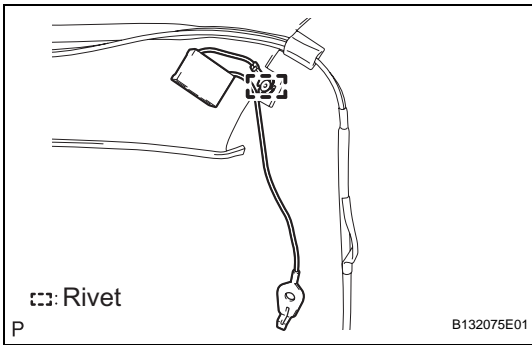
- (e) Disconnect the sliding roof drive gear connector.
- (f) Disengage the hook, 4 clips, and 2 fasteners.



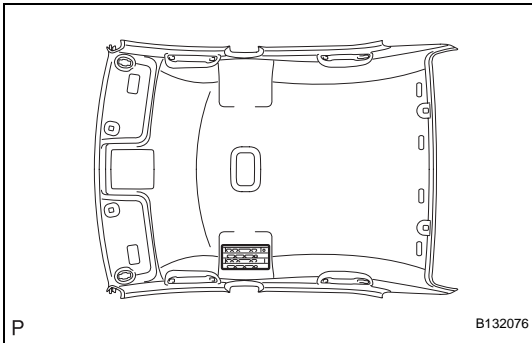
IR

- (g) Remove the roof headlining assembly from the vehicle through the rear left door.





- 70. REMOVE RADIO SETTING CONDENSER**  
 (a) Remove the rivet and radio setting condenser.



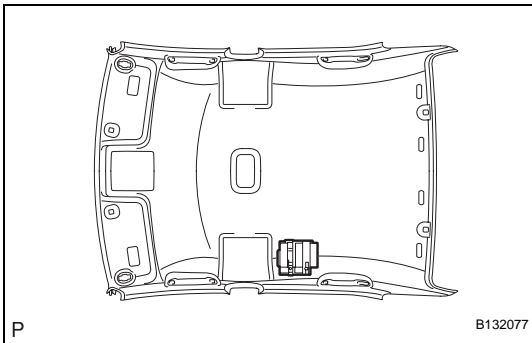
- 71. REMOVE NO. 2 REAR SIDE RAIL SPACER LH (w/o Sliding Roof)**

(a) Remove the No. 2 rear side rail spacer LH.

- 72. REMOVE NO. 2 REAR SIDE RAIL SPACER RH (w/o Sliding Roof)**

HINT:

Use the same procedures for the RH side and the LH side.



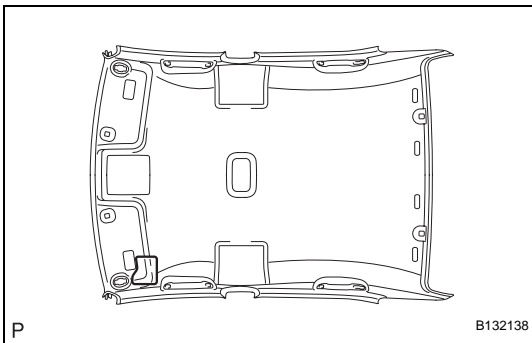
- 73. REMOVE NO. 3 REAR SIDE RAIL SPACER LH (w/o Sliding Roof)**

(a) Remove the No. 3 rear side rail spacer LH.

- 74. REMOVE NO. 3 REAR SIDE RAIL SPACER RH (w/o Sliding Roof)**

HINT:

Use the same procedures for the RH side and the LH side.



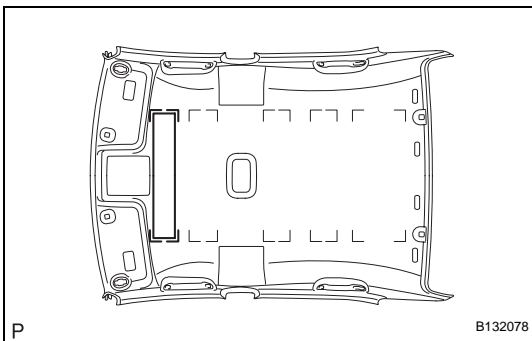
- 75. REMOVE ROOF SIDE RAIL SILENCER PAD LH (w/o Sliding Roof)**

(a) Remove the roof side rail silencer pad LH.

- 76. REMOVE ROOF SIDE RAIL SILENCER PAD RH (w/o Sliding Roof)**

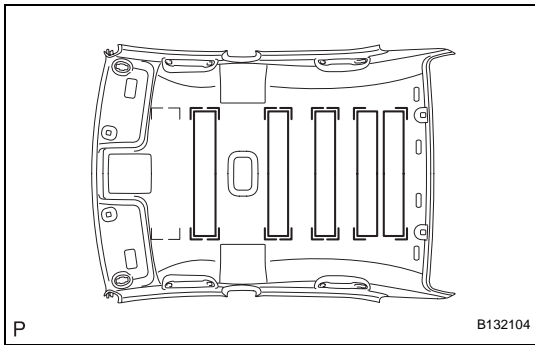
HINT:

Use the same procedures for the RH side and the LH side.



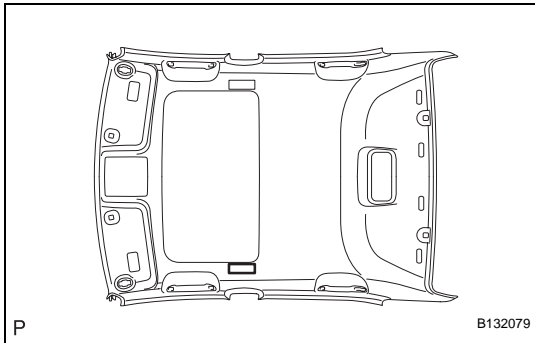
- 77. REMOVE NO. 2 ROOF SILENCER PAD (w/o Sliding Roof)**

(a) Remove the No. 2 roof silencer pad.



**78. REMOVE NO. 4 ROOF SILENCER PAD (w/o Sliding Roof)**

- (a) Remove the 5 No. 4 roof silencer pads.



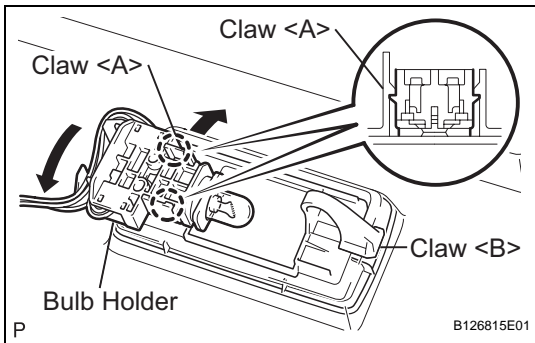
**79. REMOVE NO. 2 REAR SIDE RAIL SPACER LH (w/ Sliding Roof)**

- (a) Remove the No. 2 rear side rail spacer LH.

**80. REMOVE NO. 2 REAR SIDE RAIL SPACER RH (w/ Sliding Roof)**

HINT:

Use the same procedures for the RH side and the LH side.



**81. REMOVE FASTENER HOOK (w/ Sliding Roof)**

**82. REMOVE ANTENNA CORD SUB-ASSEMBLY (See page AV-199)**

**83. REMOVE VANITY LIGHT ASSEMBLY (w/ Sliding Roof)**

- (a) Disengage the 2 claws <A> and separate the bulb holder from the vanity light assembly as shown in the illustration.
- (b) Disengage the claw <B> and remove the vanity light assembly.

HINT:

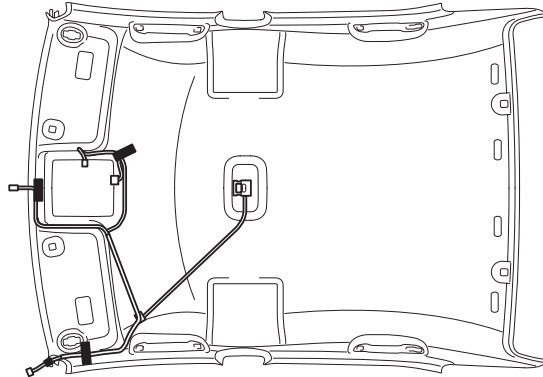
Use the same procedure to remove the light on the other side.

**84. REMOVE NO. 1 ROOF WIRE (w/o Sliding Roof)**

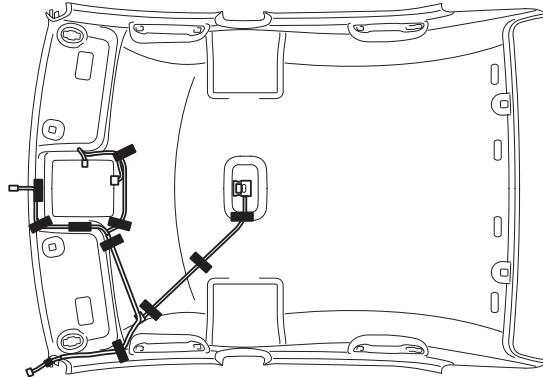
- (a) Remove the adhesive tape from the roof headlining assembly.
- (b) Remove the No. 1 roof wire from the roof headlining assembly.

- (c) Remove the double-sided tape from the roof headlining assembly.

for TMC made:



for TMMK made:



■ : Adhesive Tape

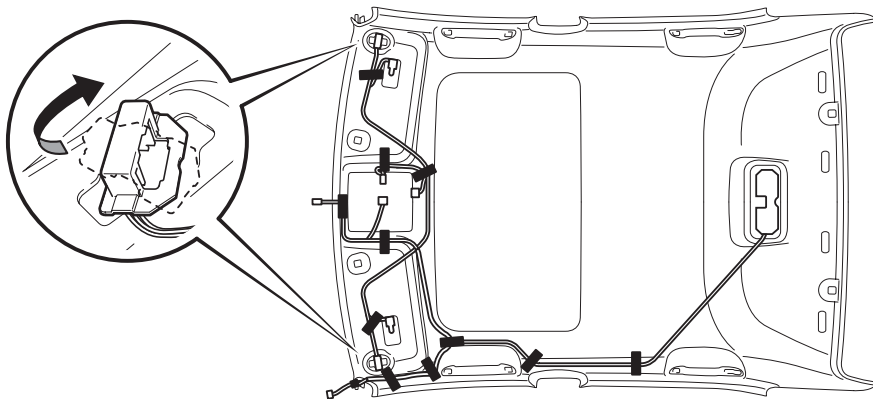
P

B132085E01

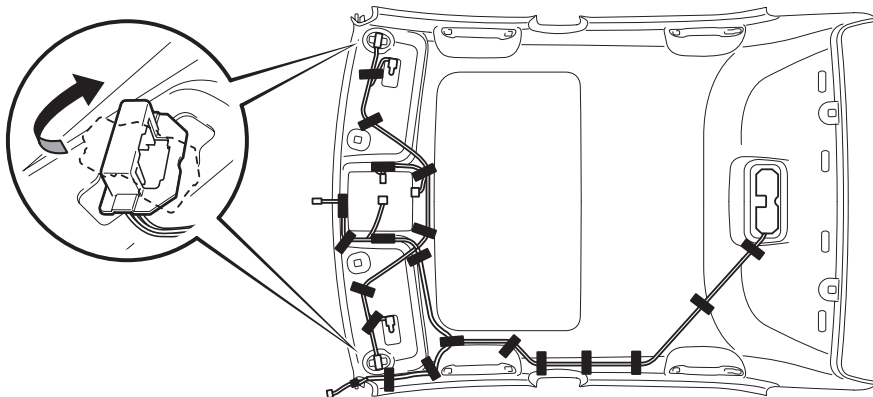
### 85. REMOVE NO. 1 ROOF WIRE (w/ Sliding Roof)

- (a) Turn the visor connectors clockwise approximately 90° and separate the connectors from the roof headlining assembly.
- (b) Remove the adhesive tape from the roof headlining assembly.
- (c) Remove the No. 1 roof wire from the roof headlining assembly.
- (d) Remove the double-sided tape from the roof headlining assembly.

for TMC made:



for TMMK made:



■ : Adhesive Tape

P

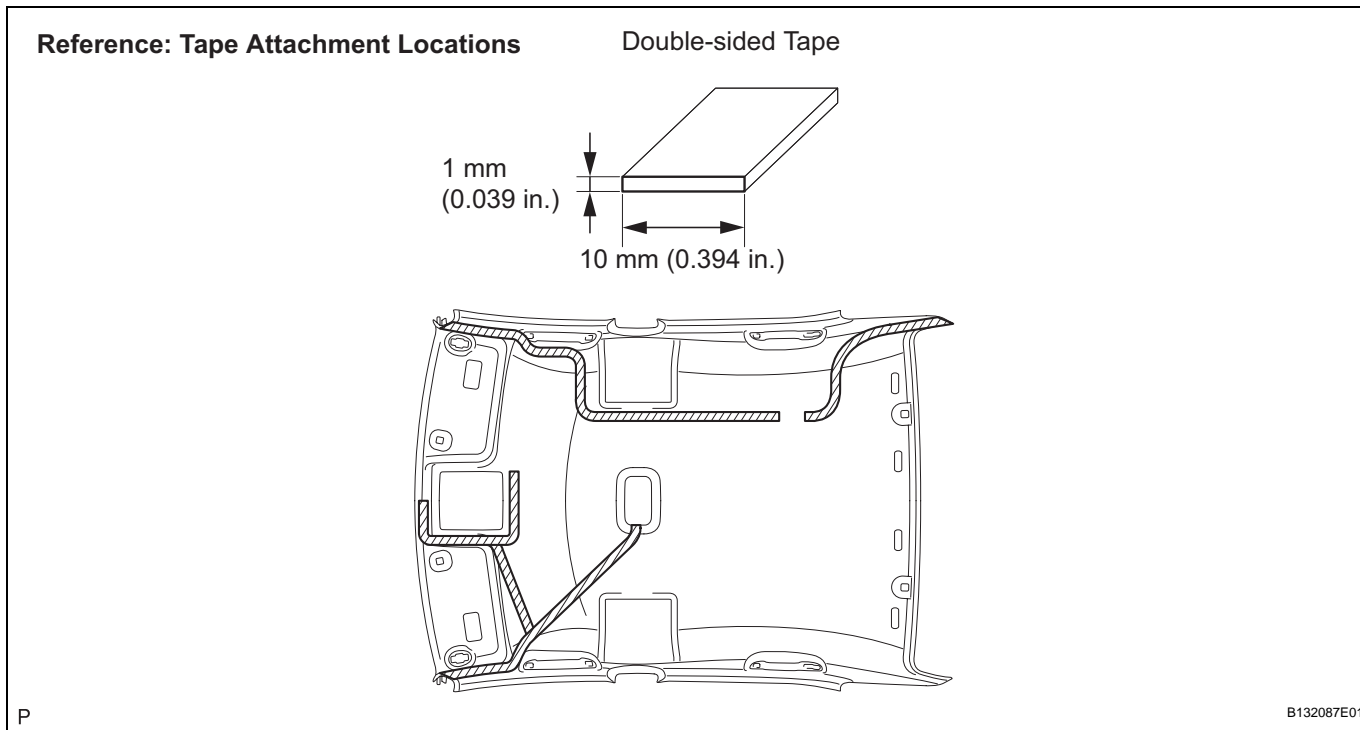
B132086E04

IR

## INSTALLATION

### 1. INSTALL NO. 1 ROOF WIRE (w/o Sliding Roof)

- (a) Apply new double-sided tape to locations shown in the illustration while aligning the tape with the markings on the roof headlining.



**NOTICE:**

**Securely apply the double-sided tape to prevent it from being out of alignment and peeling off.**

- (b) Peel off the release paper from the double-sided tape.
- (c) Attach the No. 1 roof wire along the double-sided tape so that the marking surface of the wire harness faces downward.

**NOTICE:**

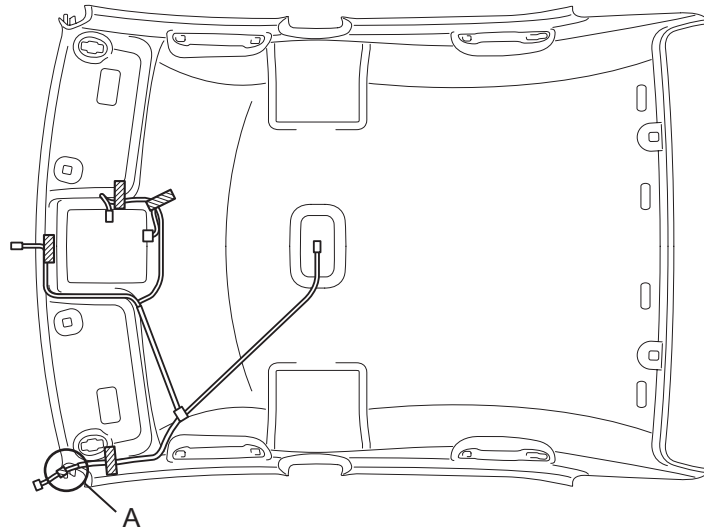
- **Securely attach the No. 1 roof wire.**
- **Failure to do so may cause abnormal noise.**

(d) Apply adhesive tape to locations shown in the illustration.

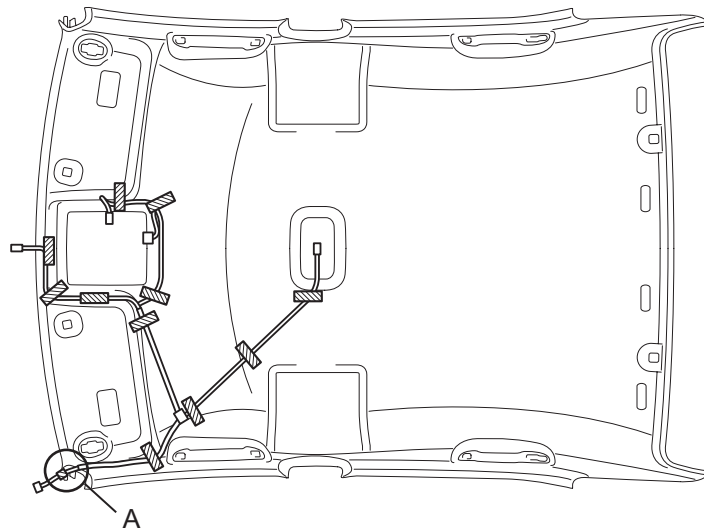
IR

Reference: Tape Attachment Locations

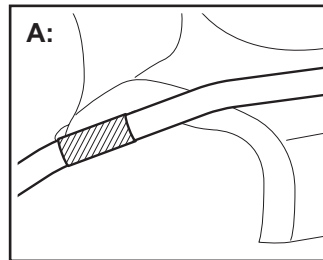
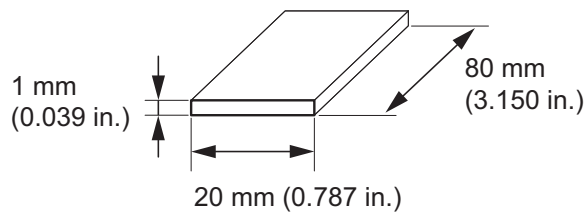
for TMC made:



for TMMK made:



Adhesive Tape



P

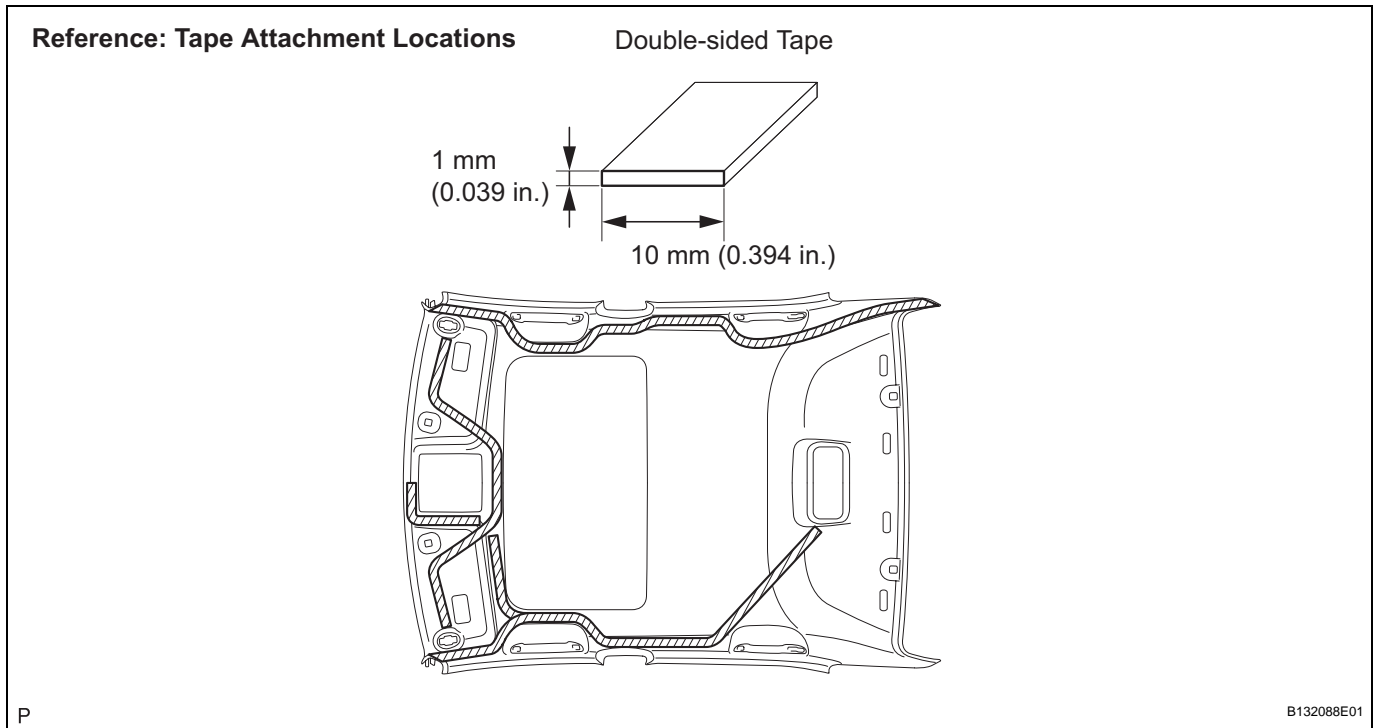
B132089E01

**HINT:**

As shown at point A in the illustration, line up and secure the reference tape of the wire harness to the tip of the roof headlining assembly.

**2. INSTALL NO. 1 ROOF WIRE (w/ Sliding Roof)**

- (a) Apply new double-sided tape to locations shown in the illustration while aligning the tape with the markings on the roof headlining.

**NOTICE:**

**Securely apply the double-sided tape to prevent it from being out of alignment and peeling off.**

- (b) Peel off the release paper from the double-sided tape.
- (c) Attach the No. 1 roof wire along the double-sided tape so that the marking surface of the wire harness faces downward.

**NOTICE:**

- **Securely attach the No. 1 roof wire.**
- **Failure to do so may cause abnormal noise.**

- (d) Turn the visor connectors clockwise approximately 90° to install the connectors to the roof headlining.

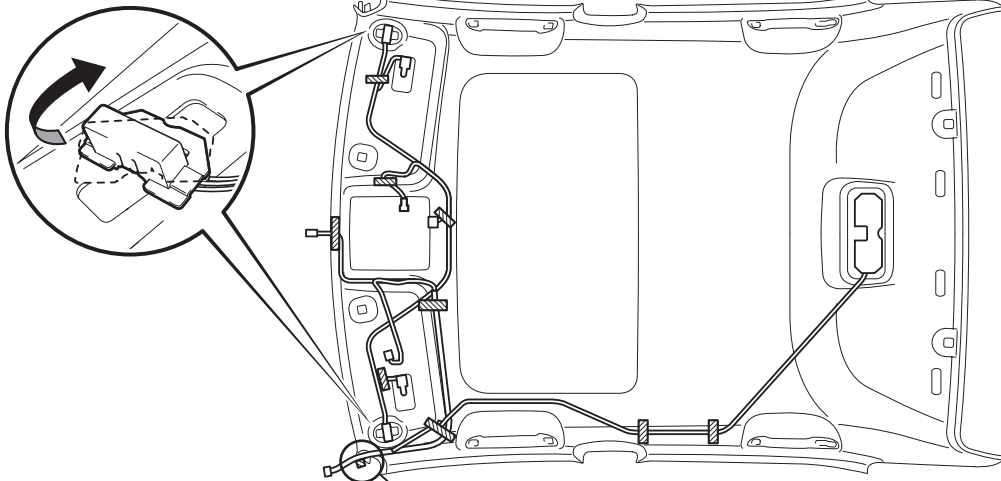


(e) Apply adhesive tape to locations shown in the illustration.

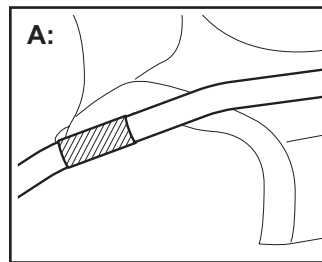
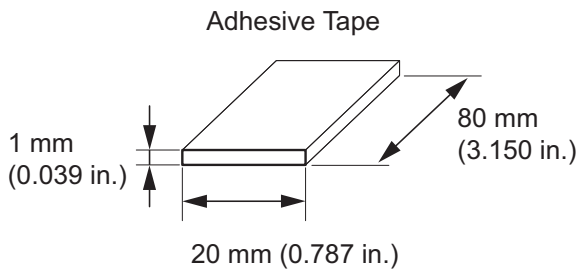
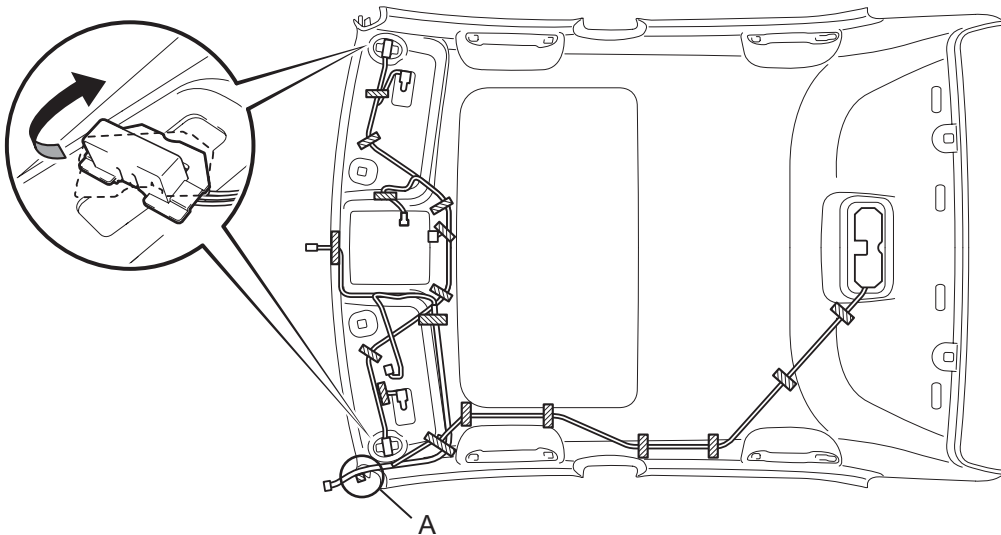
IR

Reference: Tape Attachment Locations

for TMC made:



for TMMK made:



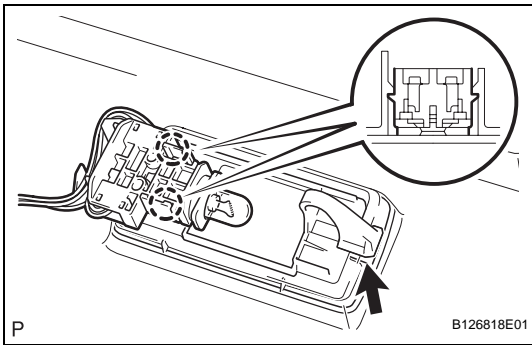
P

B132090E01

**HINT:**

As shown at point A in the illustration, line up and secure the reference tape of the wire harness to the tip of the roof headlining assembly.

- 3. INSTALL ANTENNA CORD SUB-ASSEMBLY (See page AV-202)**

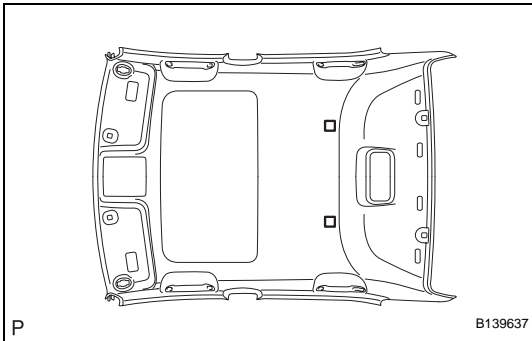


#### 4. INSTALL VANITY LIGHT ASSEMBLY (w/ Sliding Roof)

- (a) Engage the 3 claws and install the vanity light assembly.

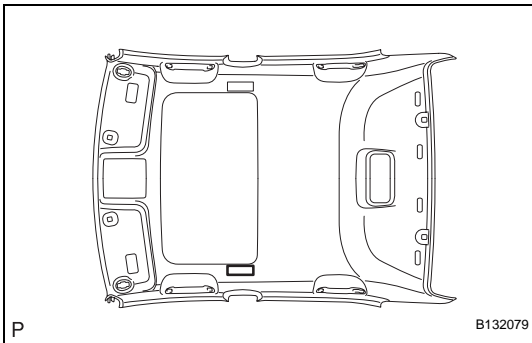
HINT:

Use the same procedure to install the light on the other side.



#### 5. INSTALL FASTENER HOOK (w/ Sliding Roof)

- (a) Align the markings on the roof headlining assembly with the fastener hooks and install the fastener hooks using hot melt glue as shown in the illustration.



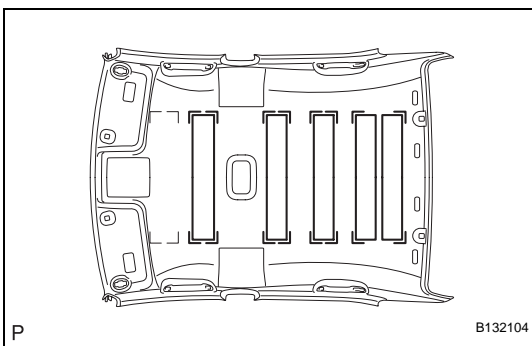
#### 6. INSTALL NO. 2 REAR SIDE RAIL SPACER LH (w/ Sliding Roof)

- (a) Align the markings on the roof headlining assembly with the No. 2 rear side rail spacer LH and install the spacer using hot melt glue as shown in the illustration.

#### 7. INSTALL NO. 2 REAR SIDE RAIL SPACER RH (w/ Sliding Roof)

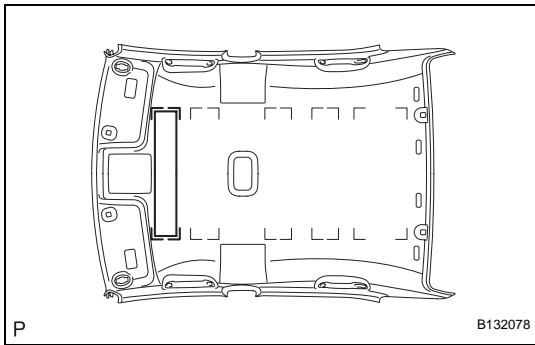
HINT:

Use the same procedures for the RH side and the LH side.



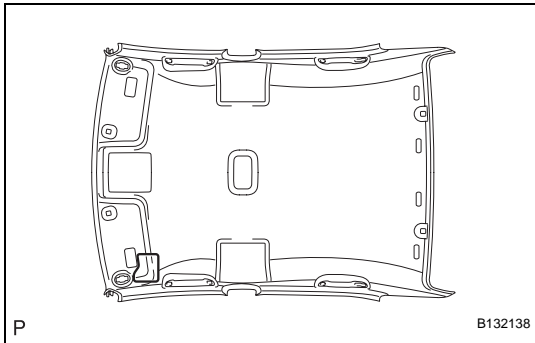
#### 8. INSTALL NO. 4 ROOF SILENCER PAD (w/o Sliding Roof)

- (a) Align the markings on the roof headlining assembly with the No. 4 roof silencer pads and install the silencer pads using hot melt glue or double-sided tape as shown in the illustration.



**9. INSTALL NO. 2 ROOF SILENCER PAD (w/o Sliding Roof)**

- (a) Align the markings on the roof headlining assembly with the No. 2 roof silencer pad and install the silencer pad using hot melt glue or double-sided tape as shown in the illustration.



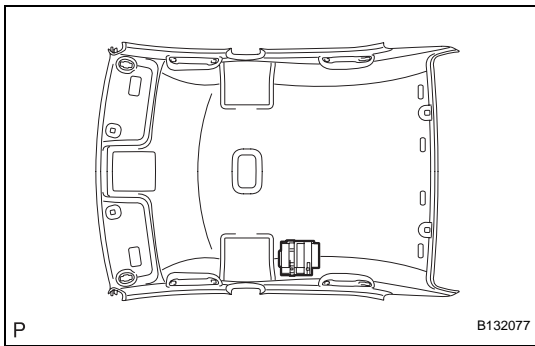
**10. INSTALL ROOF SIDE RAIL SILENCER PAD LH (w/o Sliding Roof)**

- (a) Align the markings on the roof headlining assembly with the roof side rail silencer pad LH and install the silencer pad using hot melt glue as shown in the illustration.

**11. INSTALL ROOF SIDE RAIL SILENCER PAD RH (w/o Sliding Roof)**

HINT:

Use the same procedures for the RH side and the LH side.



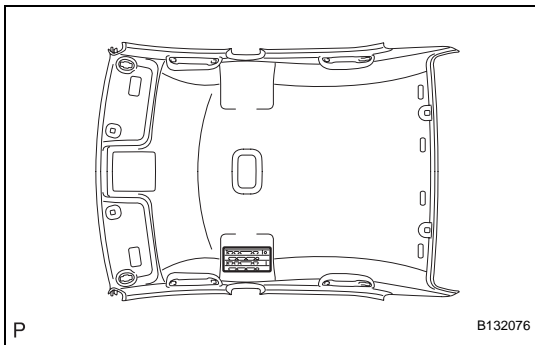
**12. INSTALL NO. 3 REAR SIDE RAIL SPACER LH (w/o Sliding Roof)**

- (a) Align the markings on the roof headlining assembly with the No. 3 rear side rail spacer LH and install the spacer using hot melt glue as shown in the illustration.

**13. INSTALL NO. 3 REAR SIDE RAIL SPACER RH (w/o Sliding Roof)**

HINT:

Use the same procedures for the RH side and the LH side.



**14. INSTALL NO. 2 REAR SIDE RAIL SPACER LH (w/o Sliding Roof)**

- (a) Align the markings on the roof headlining assembly with the No. 2 rear side rail spacer LH and install the spacer using hot melt glue as shown in the illustration.

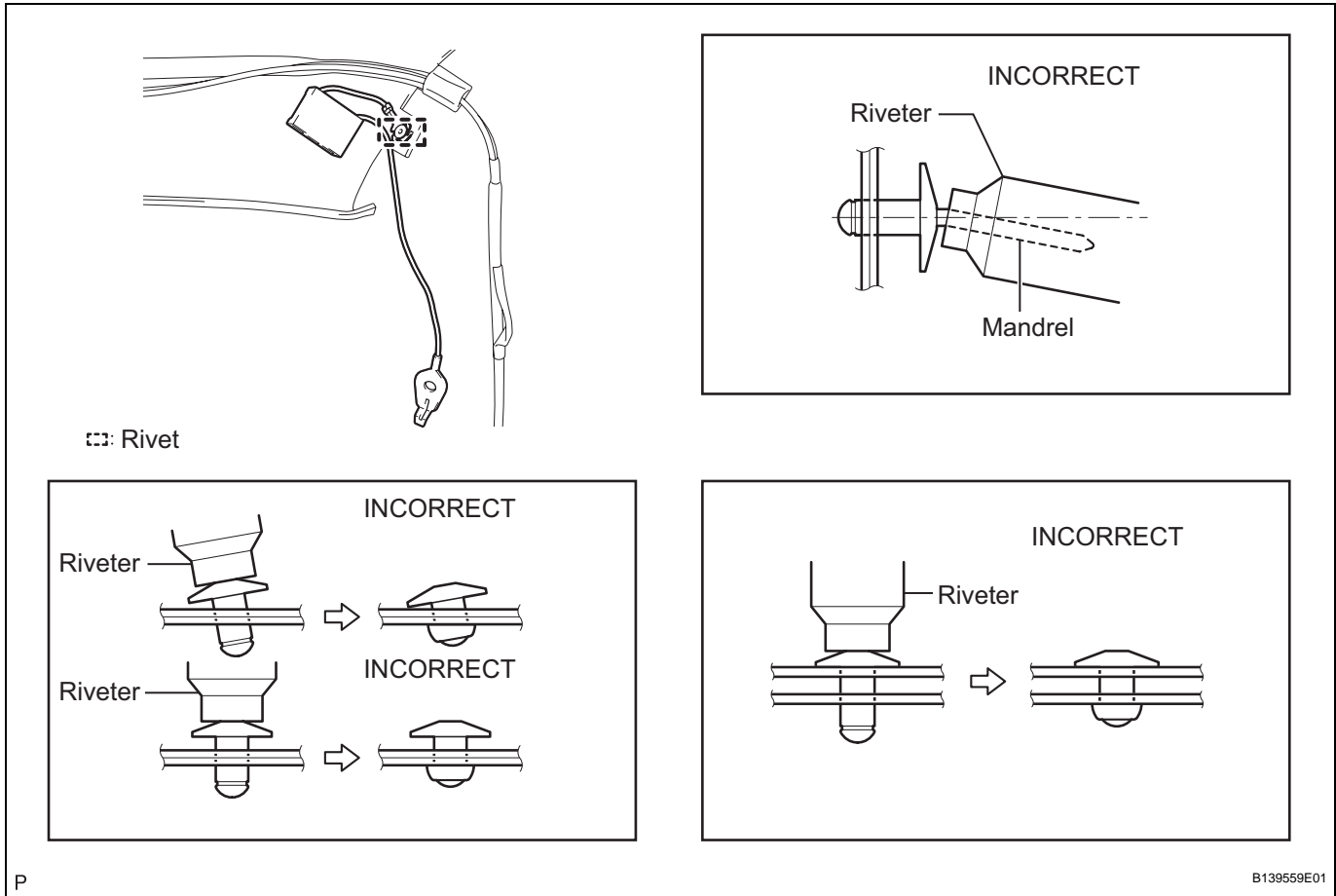
**15. INSTALL NO. 2 REAR SIDE RAIL SPACER RH (w/o Sliding Roof)**

HINT:

Use the same procedures for the RH side and the LH side.

**16. INSTALL RADIO SETTING CONDENSER**

- (a) Using an air riveter or hand riveter with a nose piece, install the radio setting condenser with a new rivet.



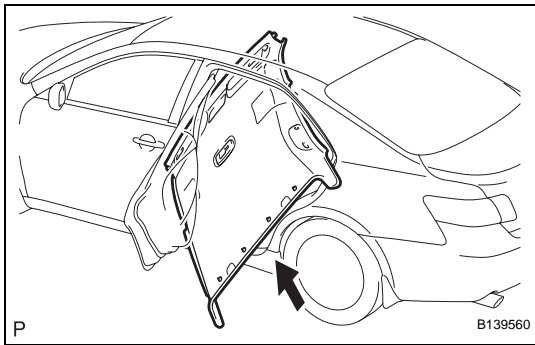
IR

**NOTICE:**

- Do not pry the rivet with the riveter, as this will cause damage to the riveter and mandrel.
- Confirm that the rivet is seated properly against the moulding. Do not tilt the riveter when installing the rivet to the moulding. Do not leave any space between the rivet head and moulding.
- Do not leave any space between the moulding and door frame. Firmly hold the 2 items together while installing the rivet.

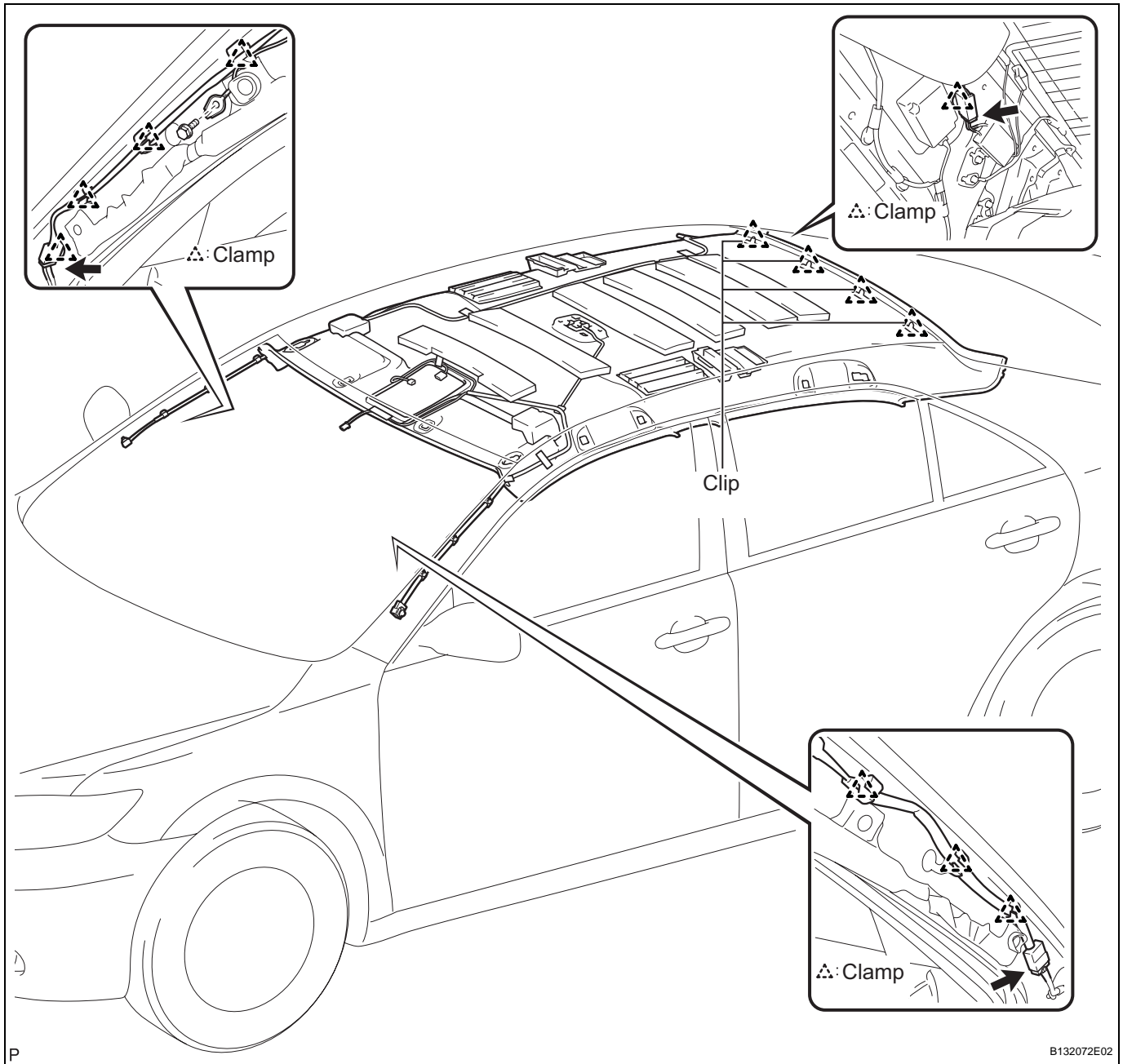
**HINT:**

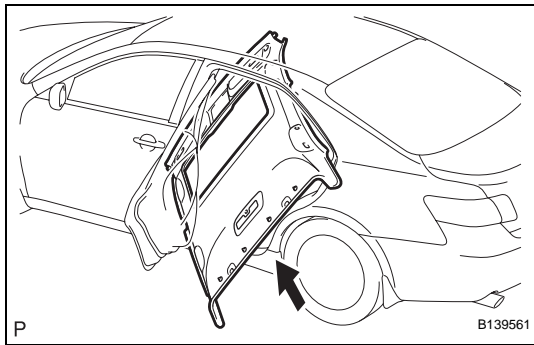
If the rivet cannot be cut, pull it once and cut it.



**17. INSTALL ROOF HEADLINING ASSEMBLY (w/o Sliding Roof)**

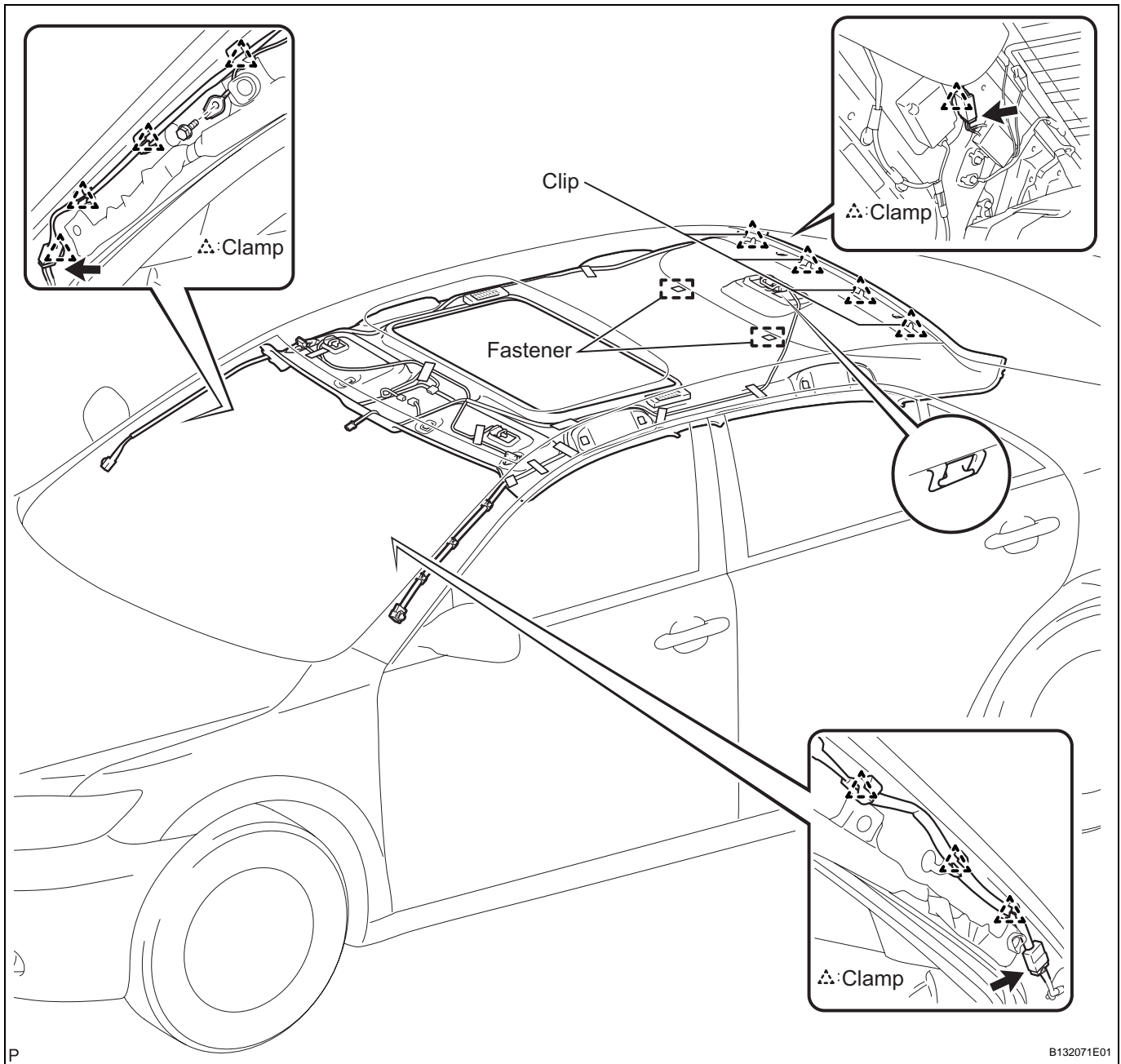
- (a) Pull the roof headlining assembly into the vehicle through the rear left door.
- (b) Engage the 4 clips.
- (c) Connect the antenna cord sub-assembly connector and engage the clamp to the rear pillar RH.
- (d) Connect the antenna cord sub-assembly connector and engage each clamp to the front pillar RH.
- (e) Install the radio setting condenser to the front pillar RH with the bolt.
- (f) Connect the No. 1 roof wire connector and engage each clamp to the front pillar LH.

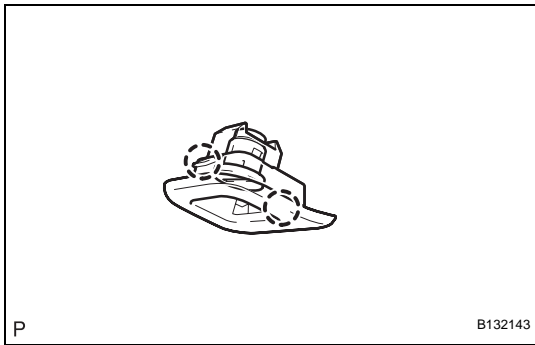




### 18. INSTALL ROOF HEADLINING ASSEMBLY (w/ Sliding Roof)

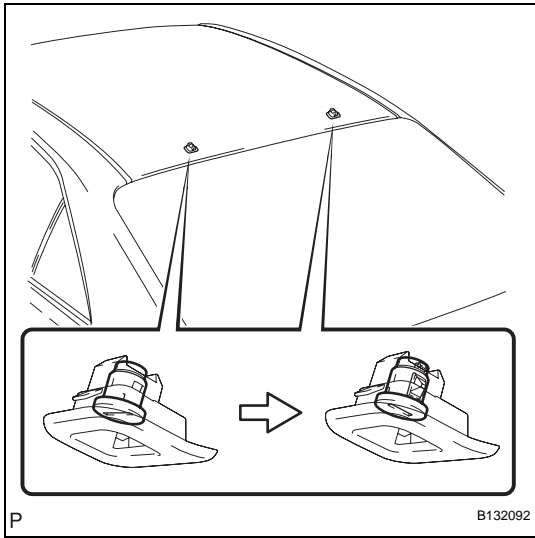
- Pull the roof headlining assembly into the vehicle through the rear left door.
- Engage the hook, 4 clips, and 2 fasteners.
- Connect the sliding roof drive gear connector.
- Connect the antenna cord sub-assembly connector and engage the clamp to the rear pillar RH.
- Connect the antenna cord sub-assembly connector and engage each clamp to the front pillar RH.
- Install the radio setting condenser to the front pillar RH with the bolt.
- Connect the No. 1 roof wire connector and engage each clamp to the front pillar LH.



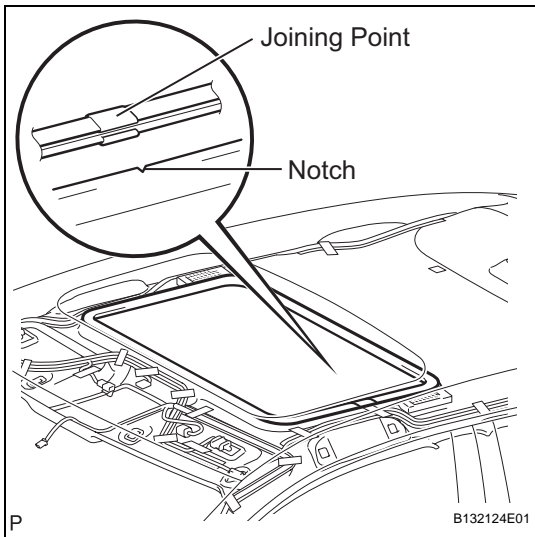


**19. INSTALL SUNSHADE TRIM HOLDER (w/ Rear Sunshade)**

(a) Engage the 2 claws.



(b) Using a screwdriver, turn the pin of each sunshade trim holder 90° to install the sunshade trim holders.



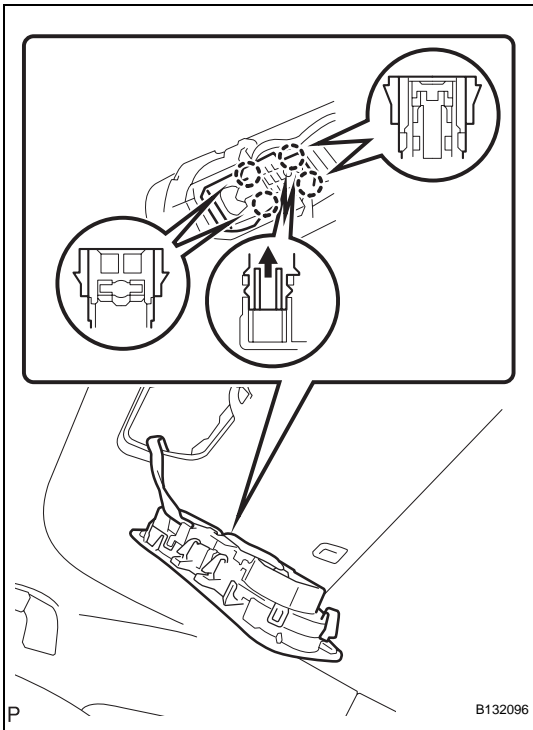
**20. INSTALL SUN ROOF OPENING TRIM MOULDING (w/ Sliding Roof)**

(a) Align the joining point of the moulding with the notch of the roof headlining assembly, and install the sun roof opening trim moulding.

**NOTICE:**

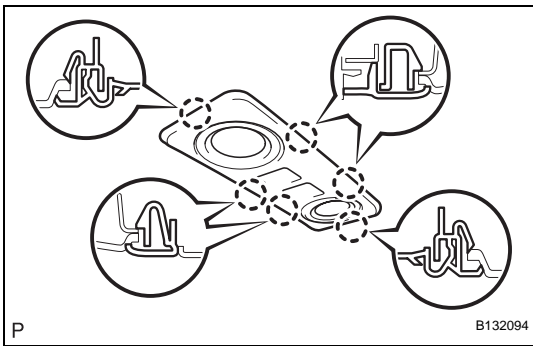
**After installation, check that the corners fit correctly.**

IR

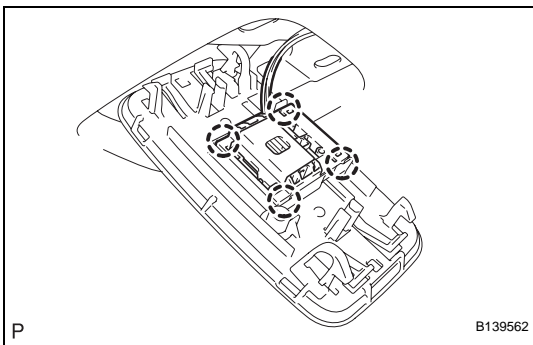


**21. INSTALL SPOT LIGHT ASSEMBLY (w/ Sliding Roof)**

- (a) Push the light bulb holder in the direction indicated by the arrow in the illustration to engage the claw.
- (b) Engage the 4 claws.



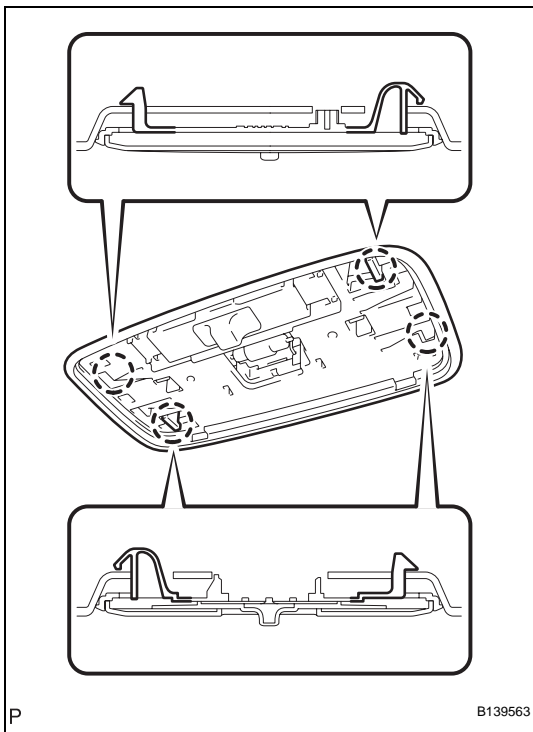
- (c) Engage the 6 claws and install the spot light assembly.



**22. INSTALL NO. 1 ROOM LIGHT ASSEMBLY (w/o Sliding Roof)**

- (a) Engage the 4 claws and install the room light switch base to the No. 1 room light assembly.

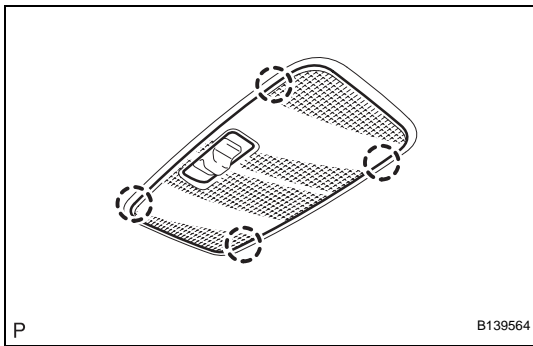




P

B139563

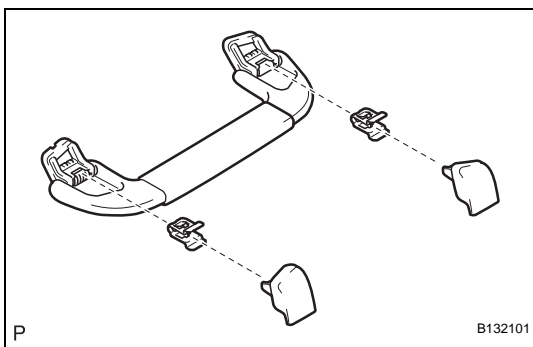
(b) Engage the 4 claws.



P

B139564

(c) Engage the 4 claws and install the lens cover.

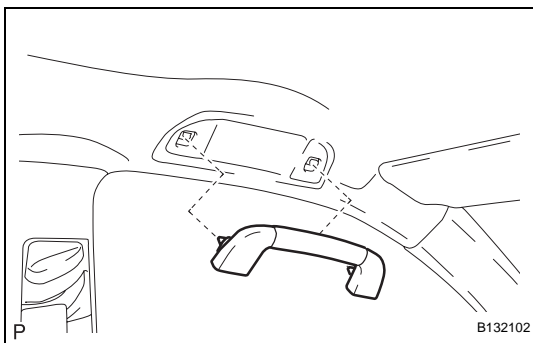


P

B132101

**23. INSTALL FRONT ASSIST GRIP SUB-ASSEMBLY**

(a) Assemble the front assist grip sub-assembly as shown in the illustration.



P

B132102

(b) Install the front assist grip sub-assembly.

HINT:

Use the same procedures for the RH side and the LH side.

**24. INSTALL REAR ASSIST GRIP SUB-ASSEMBLY**

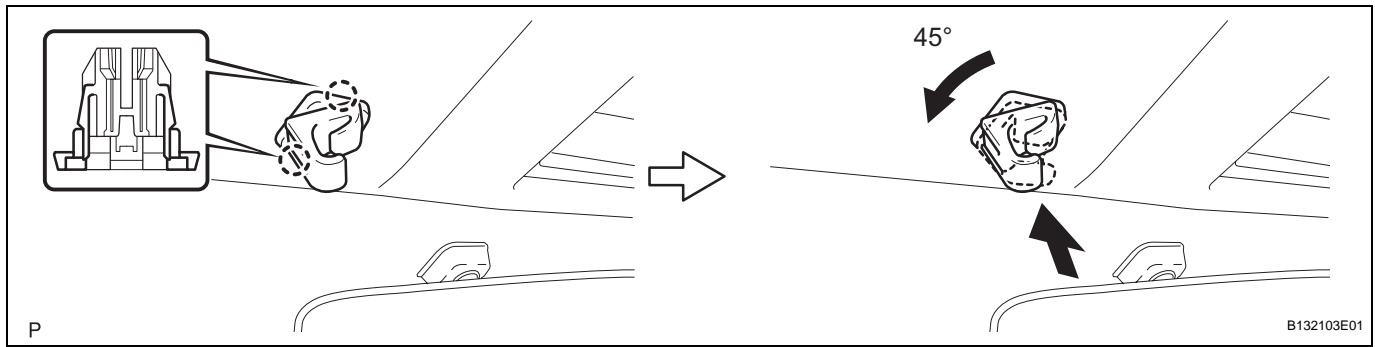
HINT:

Use the same procedures for the rear side and the front side.

**25. INSTALL VISOR HOLDER**

(a) Engage the 2 claws.

- (b) Push in the visor holder and turn it approximately 45° as shown in the illustration.



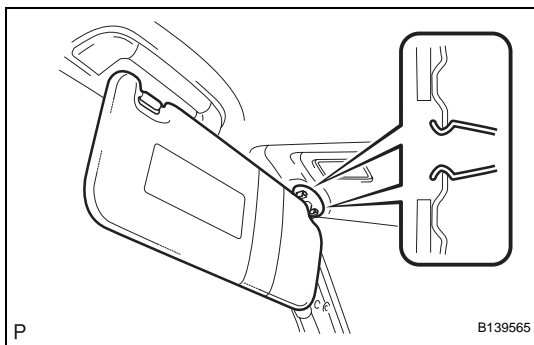
HINT:

Use the same procedures for the RH side and the LH side.

IR

**26. INSTALL VISOR ASSEMBLY LH**

- (a) Engage the 2 clips and install the visor assembly LH.

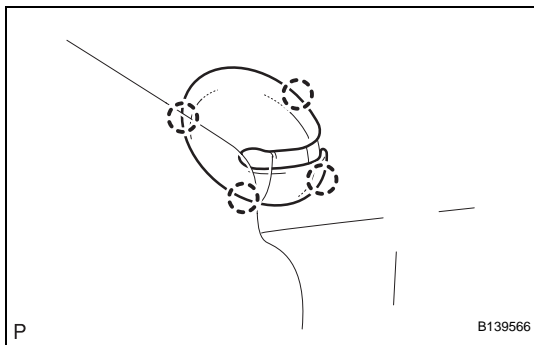


- (b) Engage the 4 claws and install the visor bracket cover.

**27. INSTALL VISOR ASSEMBLY RH**

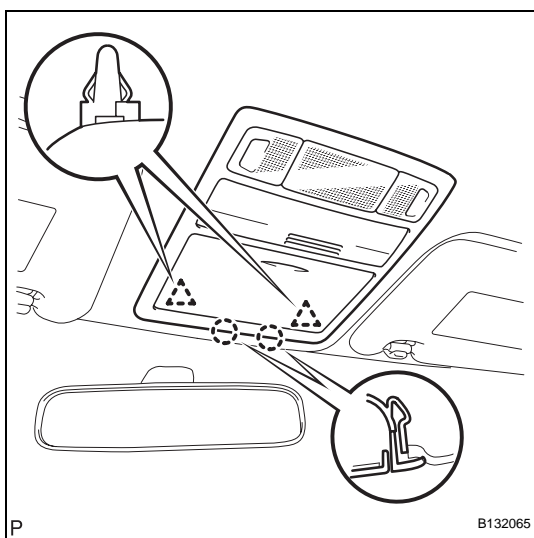
HINT:

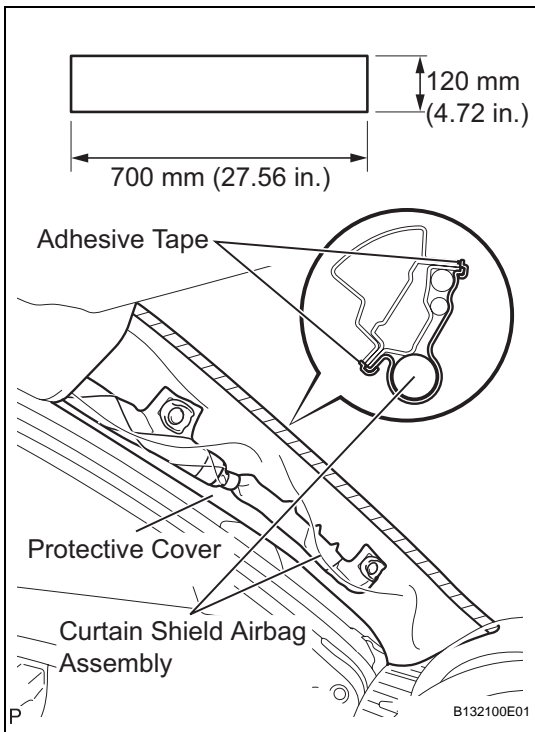
Use the same procedures for the RH side and the LH side.



**28. INSTALL ROOF CONSOLE BOX ASSEMBLY**

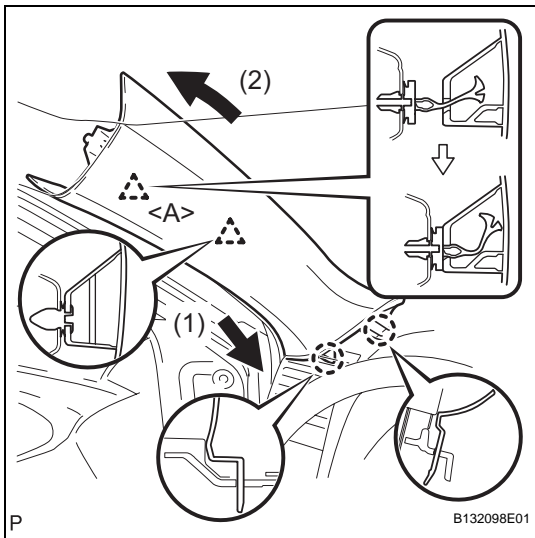
- (a) Connect the connectors.
- (b) Engage the 2 claws and 2 clips, and then install the roof console box assembly.



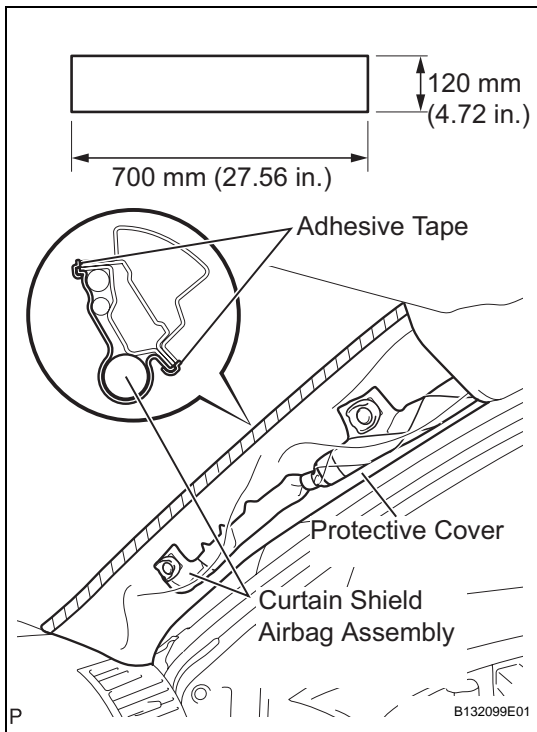


**29. INSTALL FRONT PILLAR GARNISH LH**

(a) Remove the protective cover.

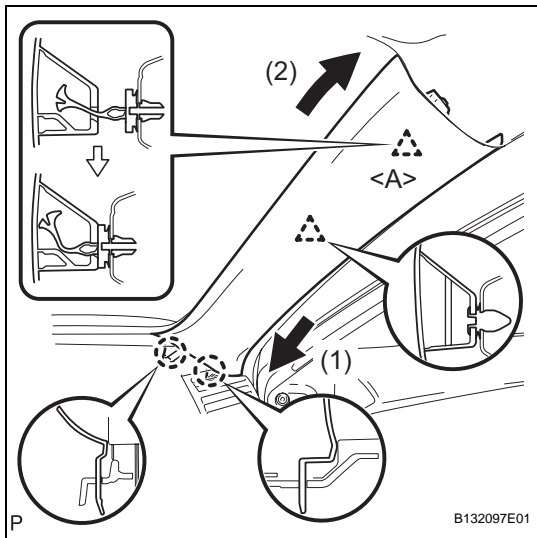


- (b) Install a new clip <A> on the front pillar garnish LH.
- (c) Engage the 2 claws and 2 clips, then install the front pillar garnish LH.

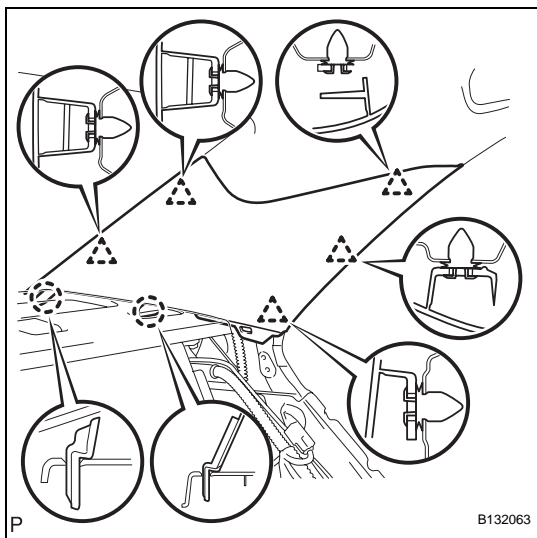


**30. INSTALL FRONT PILLAR GARNISH RH**

(a) Remove the protective cover.



(b) Install a new clip <A> on the front pillar garnish RH.  
 (c) Engage the 2 claws and 2 clips, then install the front pillar garnish RH.

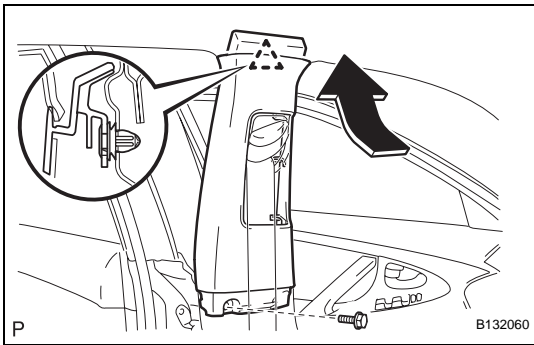


**31. INSTALL ROOF SIDE INNER GARNISH LH**

(a) Engage the 5 clips and 2 claws, then install the roof side inner garnish LH.

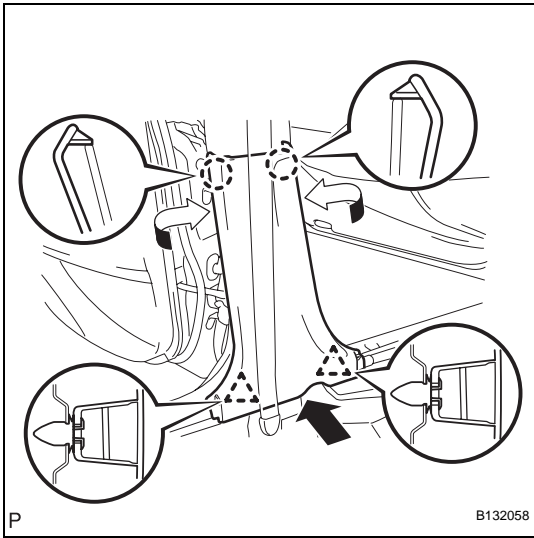
**32. INSTALL ROOF SIDE INNER GARNISH RH**

HINT:  
 Use the same procedures for the RH side and the LH side.



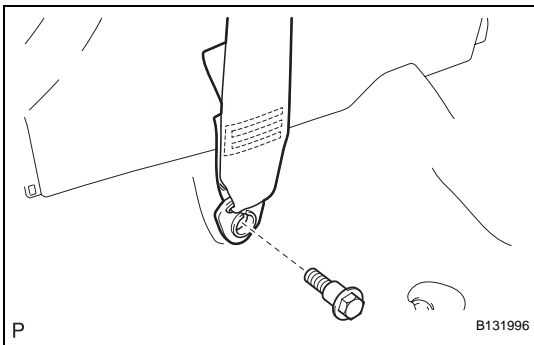
**33. INSTALL UPPER CENTER PILLAR GARNISH LH**

- (a) Engage the clip.
- (b) Install the upper center pillar garnish LH with the bolt.



**34. INSTALL LOWER CENTER PILLAR GARNISH LH**

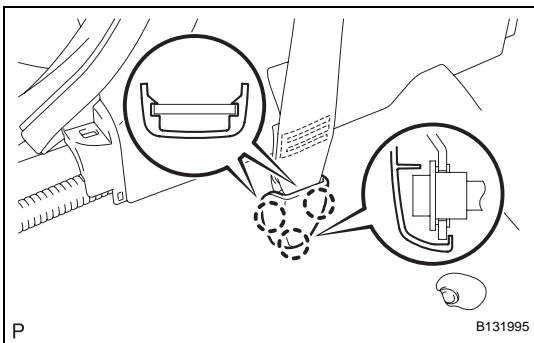
- (a) Engage the 2 claws and 2 clips, then install the lower center pillar garnish LH.



**35. CONNECT FRONT SEAT OUTER BELT ASSEMBLY LH**

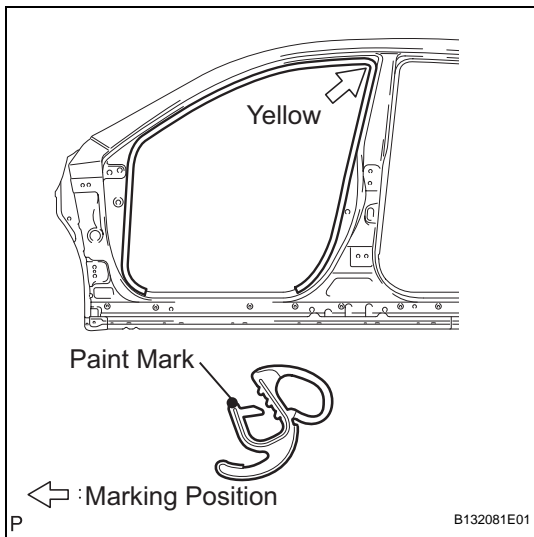
- (a) Install the floor end of the front seat outer belt assembly with the bolt.

**Torque: 42 N\*m (428 kgf\*cm, 31 ft.\*lbf)**



**36. INSTALL LAP BELT OUTER ANCHOR COVER (for LH Side)**

- (a) Engage the 3 claws and install the lap belt outer anchor cover.



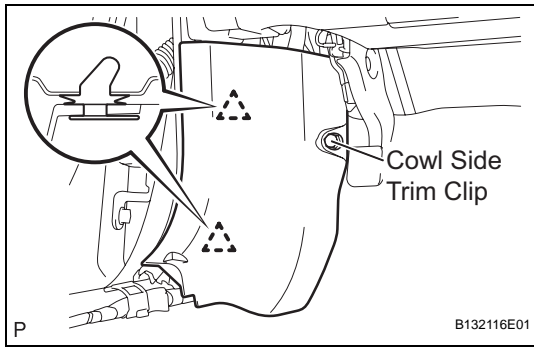
### 37. INSTALL FRONT DOOR OPENING TRIM WEATHERSTRIP LH

- (a) Install the front door opening trim weatherstrip LH as shown in the illustration.

**NOTICE:**

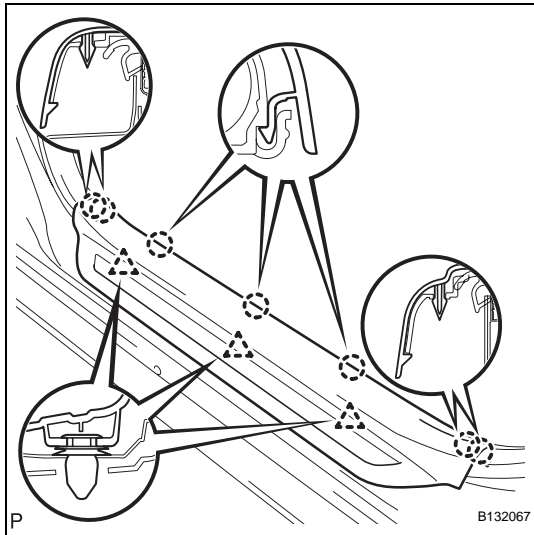
**After installation, check that the corners fit correctly.**

IR



### 38. INSTALL COWL SIDE TRIM SUB-ASSEMBLY LH

- (a) Engage the 2 clips.  
 (b) Install the cowl side trim sub-assembly LH with the cowl side trim clip.



### 39. INSTALL FRONT DOOR SCUFF PLATE LH

- (a) Engage the 7 claws and 3 clips, then install the front door scuff plate LH.

### 40. INSTALL UPPER CENTER PILLAR GARNISH RH

**HINT:**

Use the same procedures for the RH side and the LH side.

### 41. INSTALL LOWER CENTER PILLAR GARNISH RH

**HINT:**

Use the same procedures for the RH side and the LH side.

### 42. CONNECT FRONT SEAT OUTER BELT ASSEMBLY RH

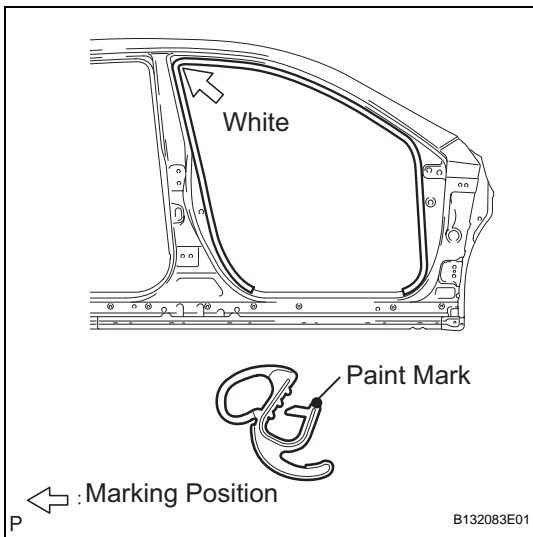
**HINT:**

Use the same procedures for the RH side and the LH side.

### 43. INSTALL LAP BELT OUTER ANCHOR COVER (for RH Side)

**HINT:**

Use the same procedures for the RH side and the LH side.



**44. INSTALL FRONT DOOR OPENING TRIM WEATHERSTRIP RH**

(a) Install the front door opening trim weatherstrip RH as shown in the illustration.

**NOTICE:**

**After installation, check that the corners fit correctly.**

**45. INSTALL COWL SIDE TRIM SUB-ASSEMBLY RH**  
HINT:

Use the same procedures for the RH side and the LH side.

**46. INSTALL FRONT DOOR SCUFF PLATE RH**  
HINT:

Use the same procedures for the RH side and the LH side.

**47. INSTALL REAR DOOR INNER GLASS WEATHERSTRIP LH (See page ED-54)**

**48. INSTALL REAR DOOR TRIM BOARD SUB-ASSEMBLY LH (See page ED-55)**

**49. INSTALL DOOR ASSIST GRIP COVER LH (See page ED-56)**

**50. INSTALL REAR DOOR INSIDE HANDLE BEZEL PLUG LH (See page ED-56)**

**51. INSTALL RECLINING REMOTE CONTROL LEVER SUB-ASSEMBLY LH (for Reclining Seat Type) (See page SE-69)**

**52. INSTALL RECLINING REMOTE CONTROL LEVER SUB-ASSEMBLY RH (for Reclining Seat Type)**

HINT:

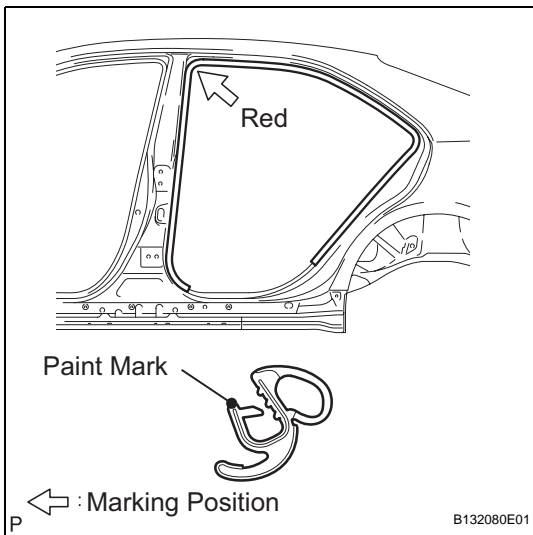
Use the same procedures for the RH side and the LH side.

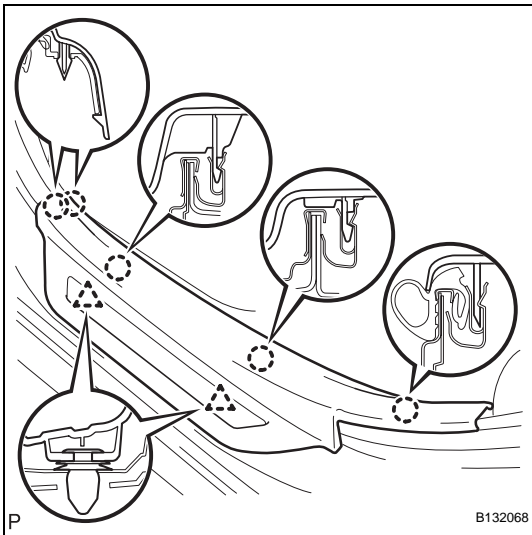
**53. INSTALL REAR DOOR OPENING TRIM WEATHERSTRIP LH**

(a) Install the rear door opening trim weatherstrip LH as shown in the illustration.

**NOTICE:**

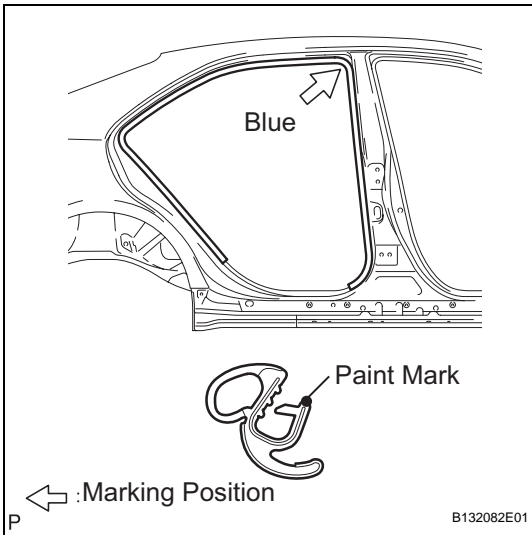
**After installation, check that the corners fit correctly.**



**54. INSTALL REAR DOOR SCUFF PLATE LH**

- (a) Engage the 5 claws and 2 clips, then install the rear door scuff plate LH.

IR

**55. INSTALL REAR DOOR OPENING TRIM WEATHERSTRIP RH**

- (a) Install the rear door opening trim weatherstrip RH as shown in the illustration.

**NOTICE:**

**After installation, check that the corners fit correctly.**

**56. INSTALL REAR DOOR SCUFF PLATE RH****HINT:**

Use the same procedures for the RH side and the LH side.

**57. INSTALL CENTER SEAT BACK ASSEMBLY (for Reclining Seat Type) (See page SE-71)****58. INSTALL SEPARATE TYPE REAR SEAT BACK ASSEMBLY LH (for Reclining Seat Type) (See page SE-72)****59. INSTALL SEPARATE TYPE REAR SEAT BACK ASSEMBLY RH (for Reclining Seat Type) (See page SE-71)****60. INSTALL REAR SEAT BACK COVER (for Reclining Seat Type)****61. INSTALL REAR SIDE SEAT BACK ASSEMBLY LH (for Fold Down Seat Type) (See page SE-57)****62. INSTALL REAR SIDE SEAT BACK ASSEMBLY RH (for Fold Down Seat Type)****HINT:**

Use the same procedures for the RH side and the LH side.

**63. INSTALL SEPARATE TYPE REAR SEAT BACK ASSEMBLY LH (for Fold Down Seat Type) (See page SE-57)****64. INSTALL SEPARATE TYPE REAR SEAT BACK ASSEMBLY RH (for Fold Down Seat Type) (See page SE-57)**



65. **INSTALL REAR SEAT BACK ASSEMBLY (for Fixed Seat Type) (See page SE-84)**
66. **INSTALL REAR CENTER SEAT HEADREST ASSEMBLY**
67. **INSTALL REAR SEAT HEADREST ASSEMBLY**
68. **INSTALL REAR SEAT CUSHION ASSEMBLY (See page SE-84)**
69. **INSTALL FRONT SEAT ASSEMBLY LH (for Power Seat) (See page SE-41)**
70. **INSTALL INNER SEAT TRACK BRACKET COVER RH (for Power Seat) (See page SE-42)**
71. **INSTALL SEAT TRACK COVER LH (for Power Seat) (See page SE-42)**
72. **INSTALL FRONT SEAT HEADREST ASSEMBLY (for Power Seat)**
73. **INSTALL FRONT SEAT ASSEMBLY LH (for Manual Seat) (See page SE-24)**
74. **INSTALL INNER SEAT TRACK BRACKET COVER LH (for Manual Seat) (See page SE-25)**
75. **INSTALL SEAT TRACK COVER LH (for Manual Seat) (See page SE-25)**
76. **INSTALL FRONT SEAT HEADREST ASSEMBLY (for Manual Seat)**
77. **INSTALL FRONT SEAT ASSEMBLY RH (for Power Seat)**  
HINT:  
Use the same procedures for the RH side and the LH side.
78. **INSTALL INNER SEAT TRACK BRACKET COVER LH (for Power Seat)**  
HINT:  
Use the same procedures for the RH side and the LH side.
79. **INSTALL SEAT TRACK COVER RH (for Power Seat)**  
HINT:  
Use the same procedures for the RH side and the LH side.
80. **INSTALL FRONT SEAT HEADREST ASSEMBLY (for Power Seat)**
81. **INSTALL FRONT SEAT ASSEMBLY RH (for Manual Seat)**  
HINT:  
Use the same procedures for the RH side and the LH side.

- 82. INSTALL INNER SEAT TRACK BRACKET COVER RH (for Manual Seat)**  
HINT:  
Use the same procedures for the RH side and the LH side.
- 83. INSTALL SEAT TRACK COVER RH (for Manual Seat)**  
HINT:  
Use the same procedures for the RH side and the LH side.
- 84. INSTALL FRONT SEAT HEADREST ASSEMBLY (for Manual Seat)**
- 85. CONNECT CABLE TO NEGATIVE BATTERY TERMINAL (for Manual Seat)**
- 86. PERFORM ZERO POINT CALIBRATION AND SENSITIVITY CHECK (for Front Passenger Seat)**  
(See page [RS-242](#))
- 87. INSPECT SRS WARNING LIGHT**  
(See page [RS-32](#))
- 88. INSPECT FRONT SEAT ASSEMBLY (for Power Seat)**  
(See page [SE-42](#))
- 89. INSPECT SLIDE ADJUSTER LOCK (for Manual Seat)**