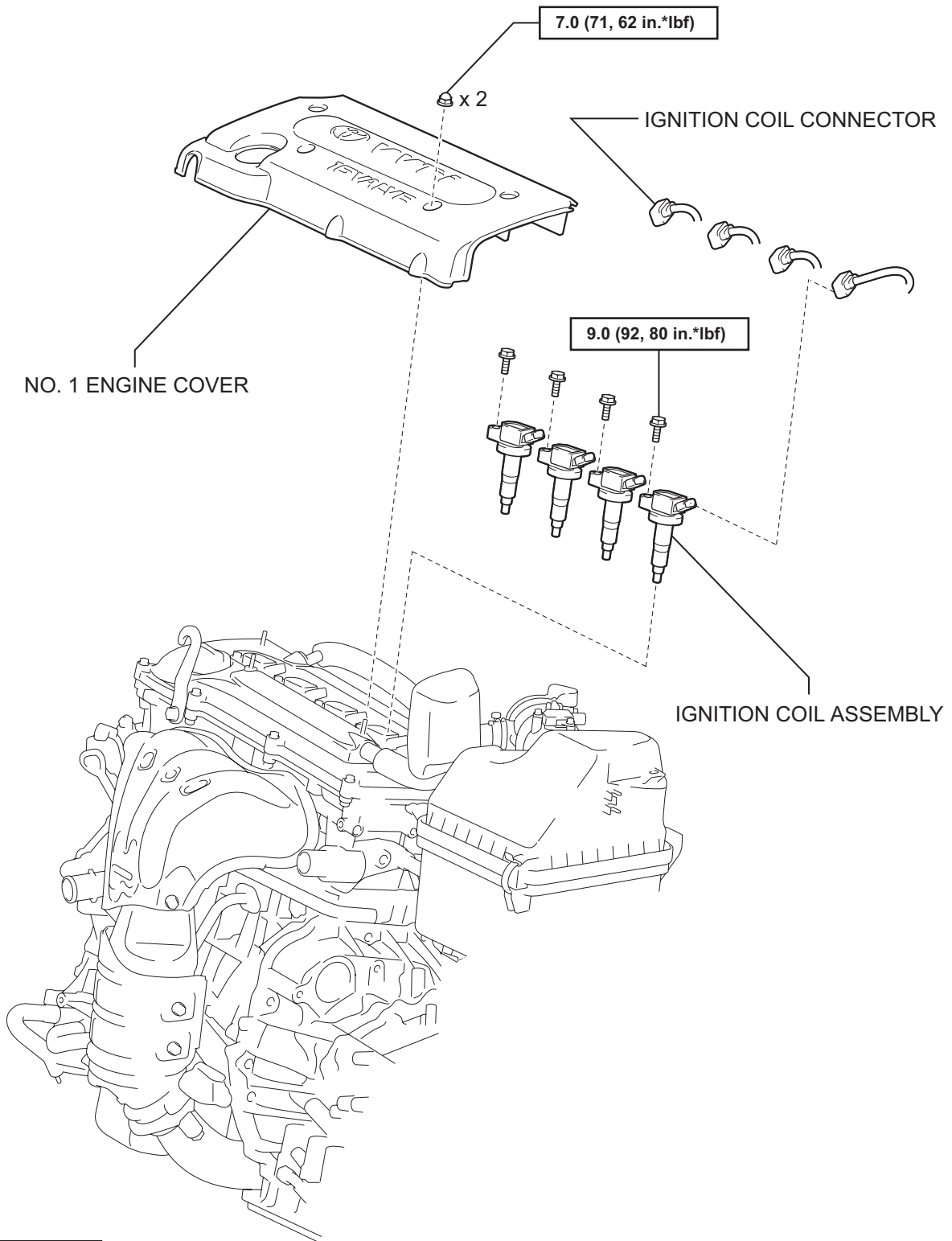


IGNITION COIL COMPONENTS



N*m (kgf*cm, ft.*lbf) : Specified torque

IG

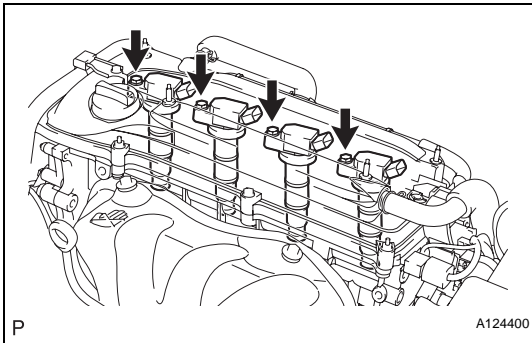
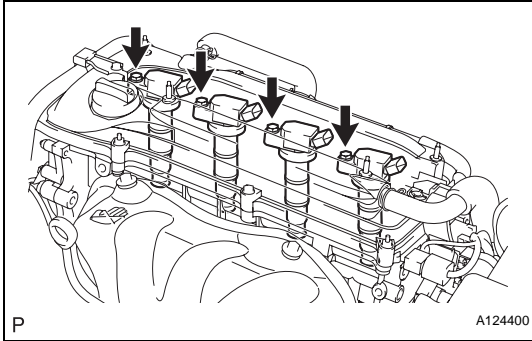
REMOVAL

1. **DISCONNECT CABLE FROM NEGATIVE BATTERY TERMINAL**

CAUTION:

Wait at least 90 seconds after disconnecting the cable from the negative (-) battery terminal to prevent airbag and seat belt pretensioner activation.

2. **REMOVE NO. 1 ENGINE COVER** (See page [ES-410](#))
3. **REMOVE IGNITION COIL ASSEMBLY**
 - (a) Disconnect the 4 ignition coil connectors.
 - (b) Remove the 4 bolts and 4 ignition coils.



INSTALLATION

1. **INSTALL IGNITION COIL ASSEMBLY**
 - (a) Install the 4 ignition coils with the 4 bolts.
Torque: 9.0 N*m (92 kgf*cm, 80 in.*lbf)
 - (b) Connect the 4 ignition coil connectors.
2. **INSTALL NO. 1 ENGINE COVER** (See page [ES-414](#))
3. **CONNECT CABLE TO NEGATIVE BATTERY TERMINAL**