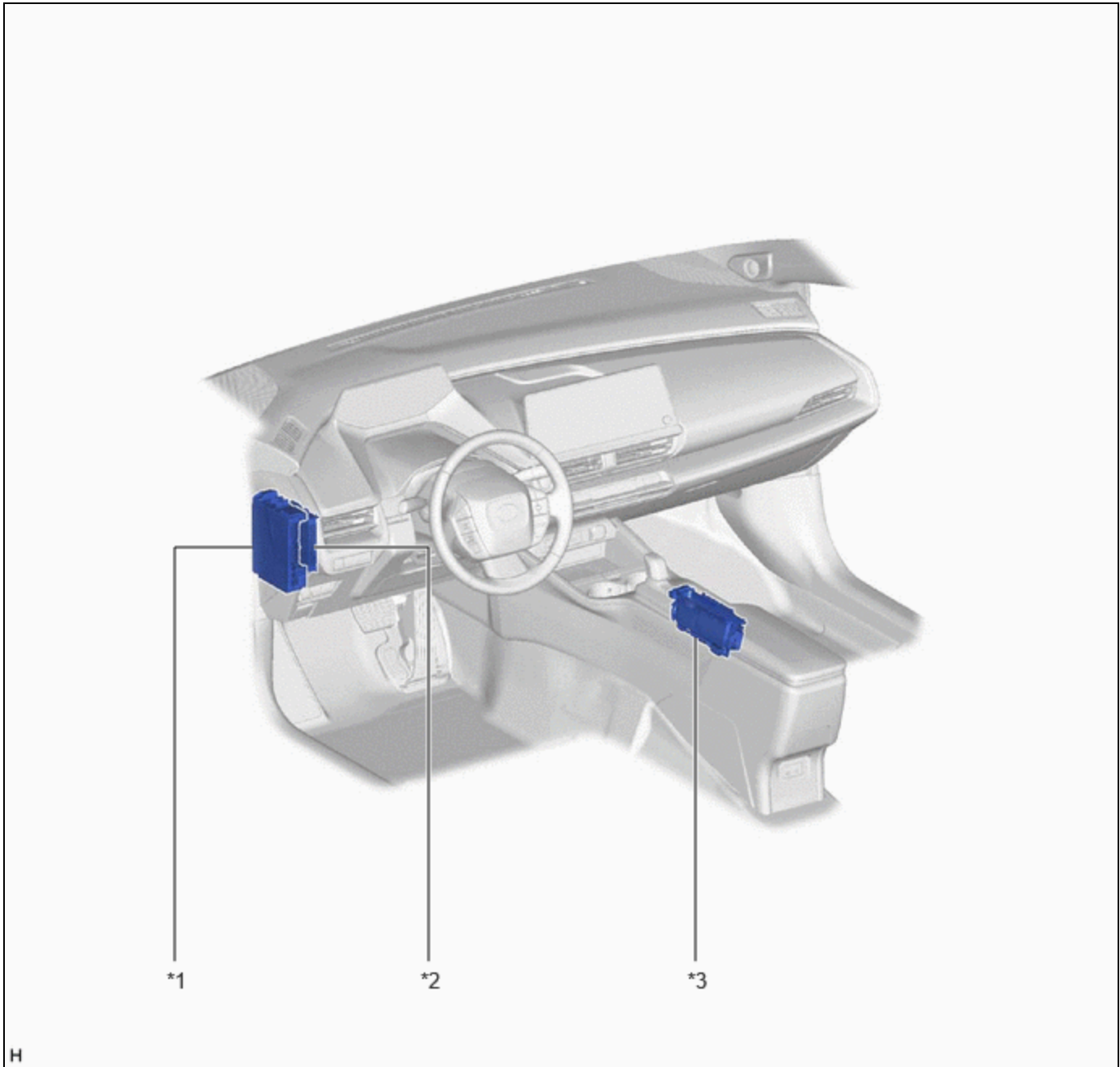


<b>Last Modified:</b> 12-04-2024	6.11:8.1.0	<b>Doc ID:</b> RM100000002A2JK
<b>Model Year Start:</b> 2023	<b>Model:</b> Prius Prime	<b>Prod Date Range:</b> [12/2022 - ]
<b>Title:</b> POWER OUTLETS (INT): WIRELESS CHARGING SYSTEM: PARTS LOCATION; 2023 - 2024 MY Prius Prius Prime [12/2022 - ]		

## PARTS LOCATION

### ILLUSTRATION



*1	POWER DISTRIBUTION BOX ASSEMBLY - ECU-ACC FUSE - ECU-B NO. 3 FUSE	*2	CERTIFICATION ECU (SMART KEY ECU ASSEMBLY)
----	---	----	--

*3	MOBILE WIRELESS CHARGER CRADLE ASSEMBLY	-	-
----	---	---	---

