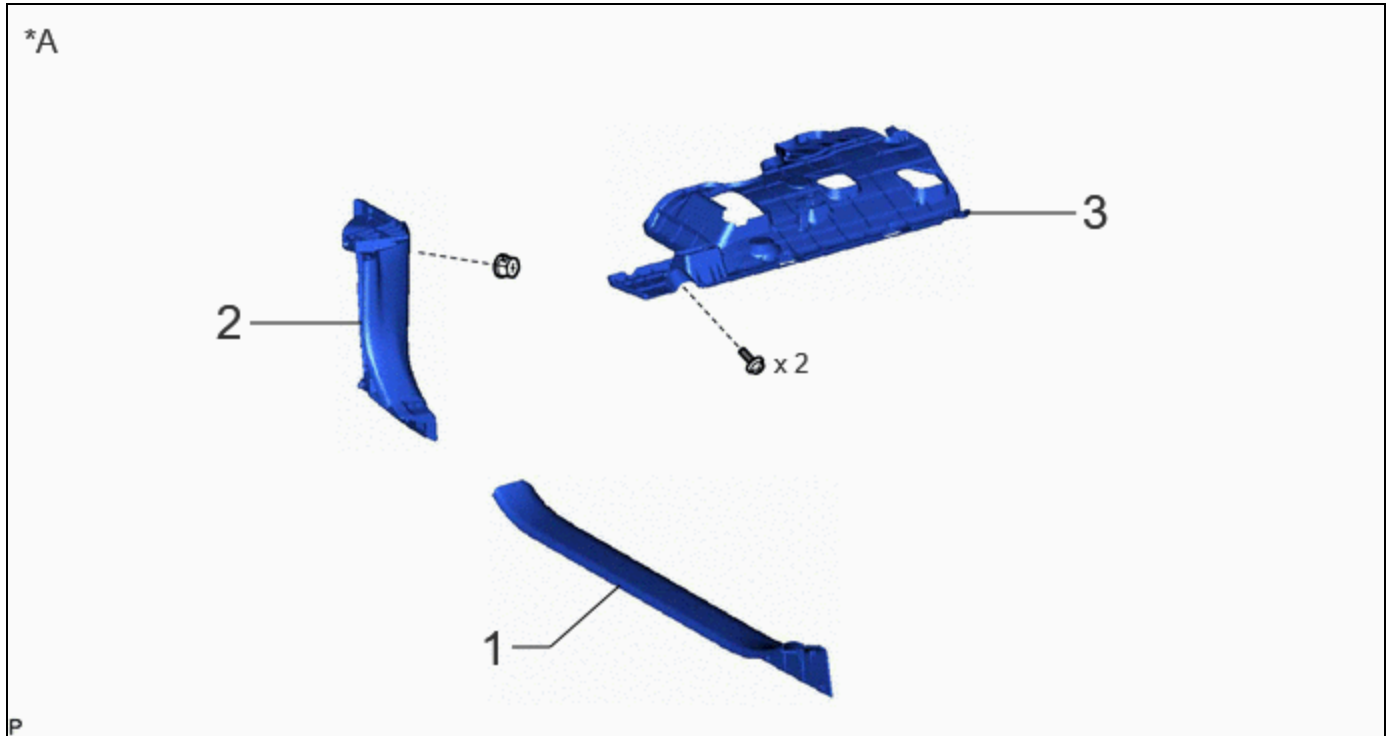


Last Modified: 12-04-2024	6.11:8.1.0	Doc ID: RM1000000029ORM
Model Year Start: 2023	Model: Prius Prime	Prod Date Range: [12/2022 -]
Title: POWER OUTLETS (INT): WIRELESS CHARGER ASSEMBLY: REMOVAL; 2023 - 2024 MY Prius Prius Prime [12/2022 -]		

REMOVAL

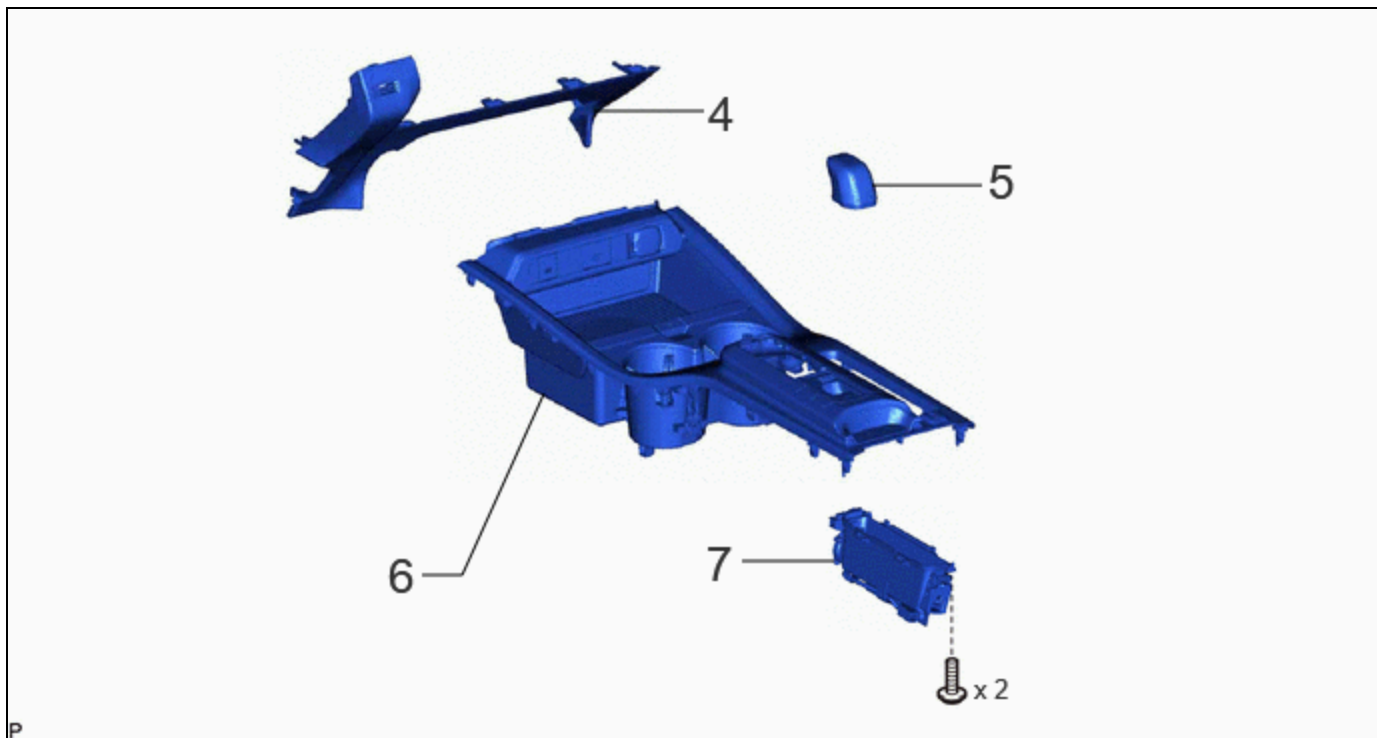
CAUTION / NOTICE / HINT




COMPONENTS (REMOVAL)



	PROCEDURE	PART NAME CODE			
1	FRONT DOOR SCUFF PLATE LH	67914	-	-	-
2	COWL SIDE TRIM BOARD LH	62112	-	-	-
3	NO. 1 INSTRUMENT PANEL UNDER COVER SUB-ASSEMBLY	55606	-	-	-

*A	w/ Knee Airbag	-	-
----	----------------	---	---



PROCEDURE		PART NAME CODE			
4	LOWER CENTER INSTRUMENT PANEL FINISH PANEL	55434B	-	-	-
5	SHIFT LEVER KNOB SUB-ASSEMBLY	33504F	-	-	-
6	UPPER CONSOLE PANEL SUB-ASSEMBLY	58804A	-	-	-
7	MOBILE WIRELESS CHARGER CRADLE ASSEMBLY	861C0	-	-	-

PROCEDURE

1. REMOVE FRONT DOOR SCUFF PLATE LH (w/ Knee Airbag)

Click here [INFO](#)

2. REMOVE COWL SIDE TRIM BOARD LH (w/ Knee Airbag)

Click here [INFO](#)

3. REMOVE NO. 1 INSTRUMENT PANEL UNDER COVER SUB-ASSEMBLY (w/ Knee Airbag)

Click here [INFO](#)

4. REMOVE LOWER CENTER INSTRUMENT PANEL FINISH PANEL

Click here [INFO](#)

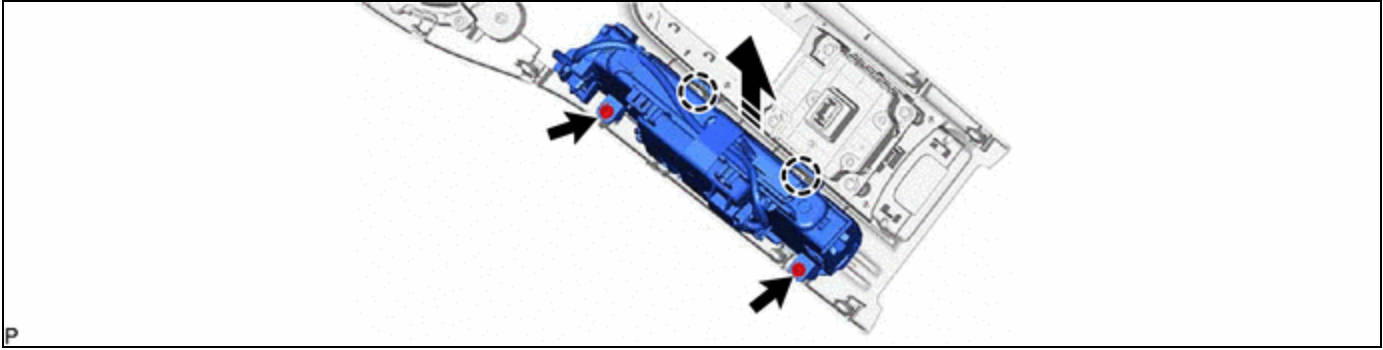
5. REMOVE SHIFT LEVER KNOB SUB-ASSEMBLY


Click here [INFO](#)

6. REMOVE UPPER CONSOLE PANEL SUB-ASSEMBLY

Click here [INFO](#)

7. REMOVE MOBILE WIRELESS CHARGER CRADLE ASSEMBLY



	Remove in this Direction	-	-
---	--------------------------	---	---

