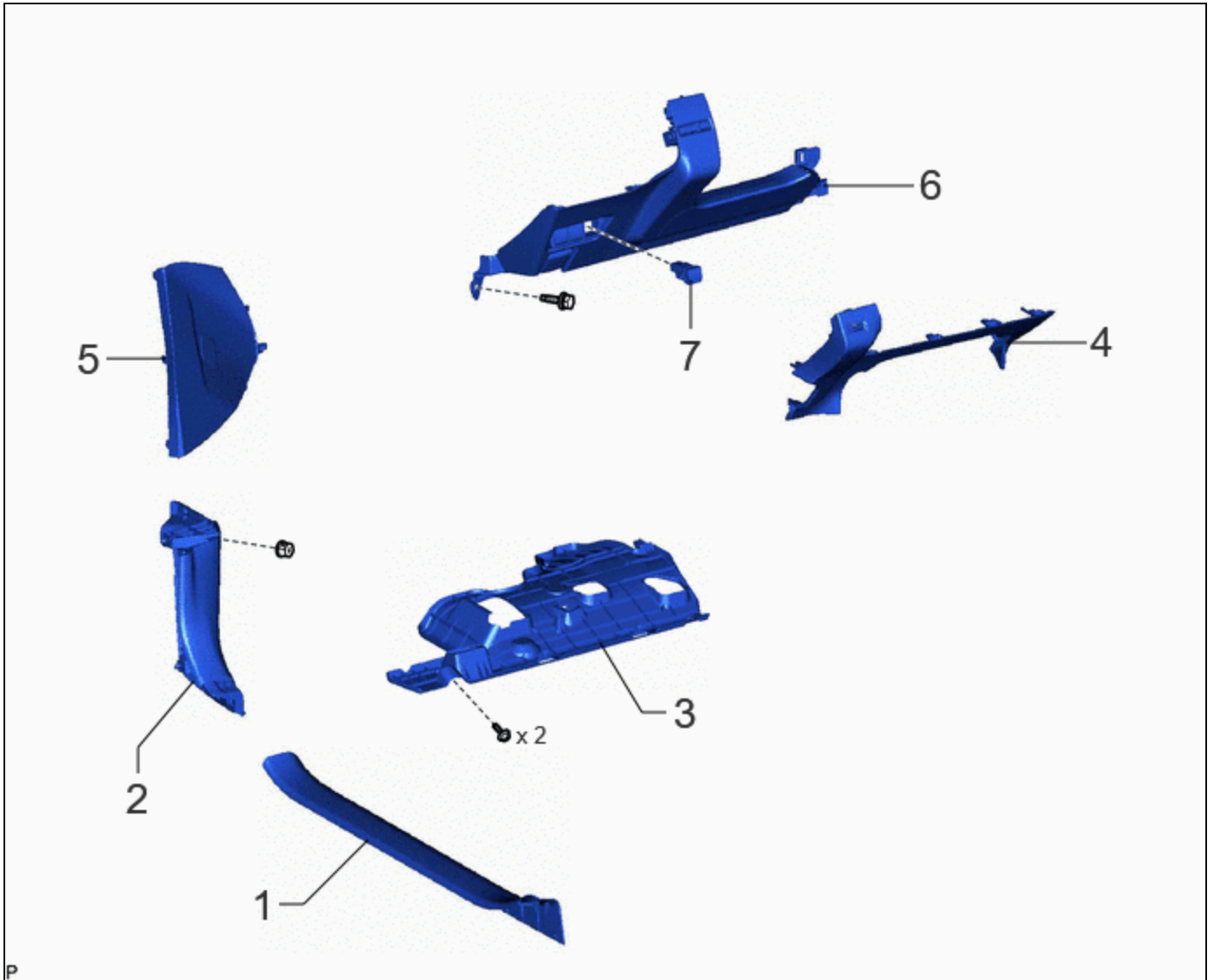





Last Modified: 12-04-2024	6.11:8.1.0	Doc ID: RM100000002B4MQ
Model Year Start: 2023	Model: Prius Prime	Prod Date Range: [03/2023 -]
Title: POWER OUTLETS (INT): POWER OUTLET SWITCH: REMOVAL; 2023 - 2024 MY Prius Prius Prime [03/2023 -]		




REMOVAL

CAUTION / NOTICE / HINT

COMPONENTS (REMOVAL)



	PROCEDURE	PART NAME CODE			
1	FRONT DOOR SCUFF PLATE LH	67914	-	-	-
2	COWL SIDE TRIM BOARD LH	62112	-	-	-

	PROCEDURE	PART NAME CODE			
3	NO. 1 INSTRUMENT PANEL UNDER COVER SUB-ASSEMBLY	55606	-	-	-
4	LOWER CENTER INSTRUMENT PANEL FINISH PANEL	55434B	-	-	-
5	INSTRUMENT SIDE PANEL LH	55318C	-	-	-
6	LOWER INSTRUMENT PANEL FINISH PANEL ASSEMBLY	55480D	-	-	-
7	POWER OUTLET SWITCH	84485C	-	-	-

PROCEDURE

1. REMOVE FRONT DOOR SCUFF PLATE LH

Click here [INFO](#)

2. REMOVE COWL SIDE TRIM BOARD LH

Click here [INFO](#)

3. REMOVE NO. 1 INSTRUMENT PANEL UNDER COVER SUB-ASSEMBLY

Click here [INFO](#)

4. REMOVE LOWER CENTER INSTRUMENT PANEL FINISH PANEL

Click here [INFO](#)

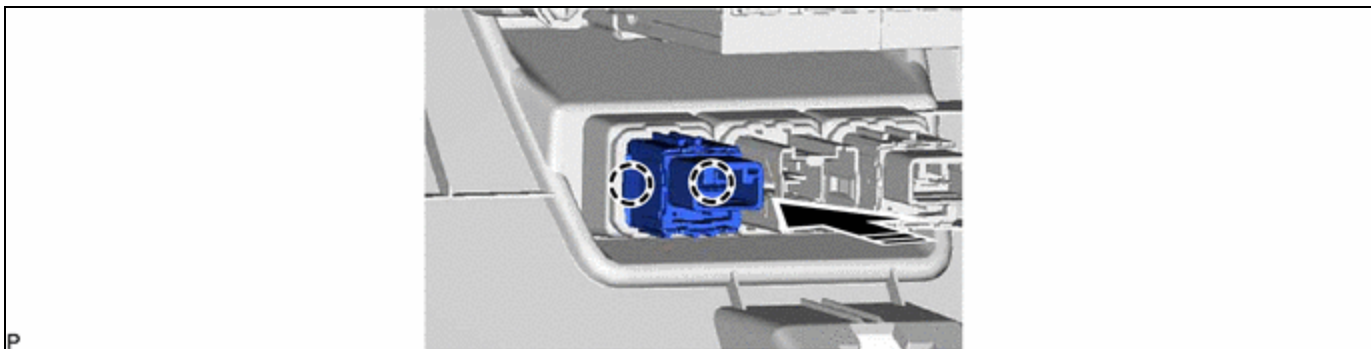
5. REMOVE INSTRUMENT SIDE PANEL LH

Click here [INFO](#)

6. REMOVE LOWER INSTRUMENT PANEL FINISH PANEL ASSEMBLY

Click here [INFO](#)

7. REMOVE POWER OUTLET SWITCH



	Remove in this Direction	-	-
---	--------------------------	---	---

