

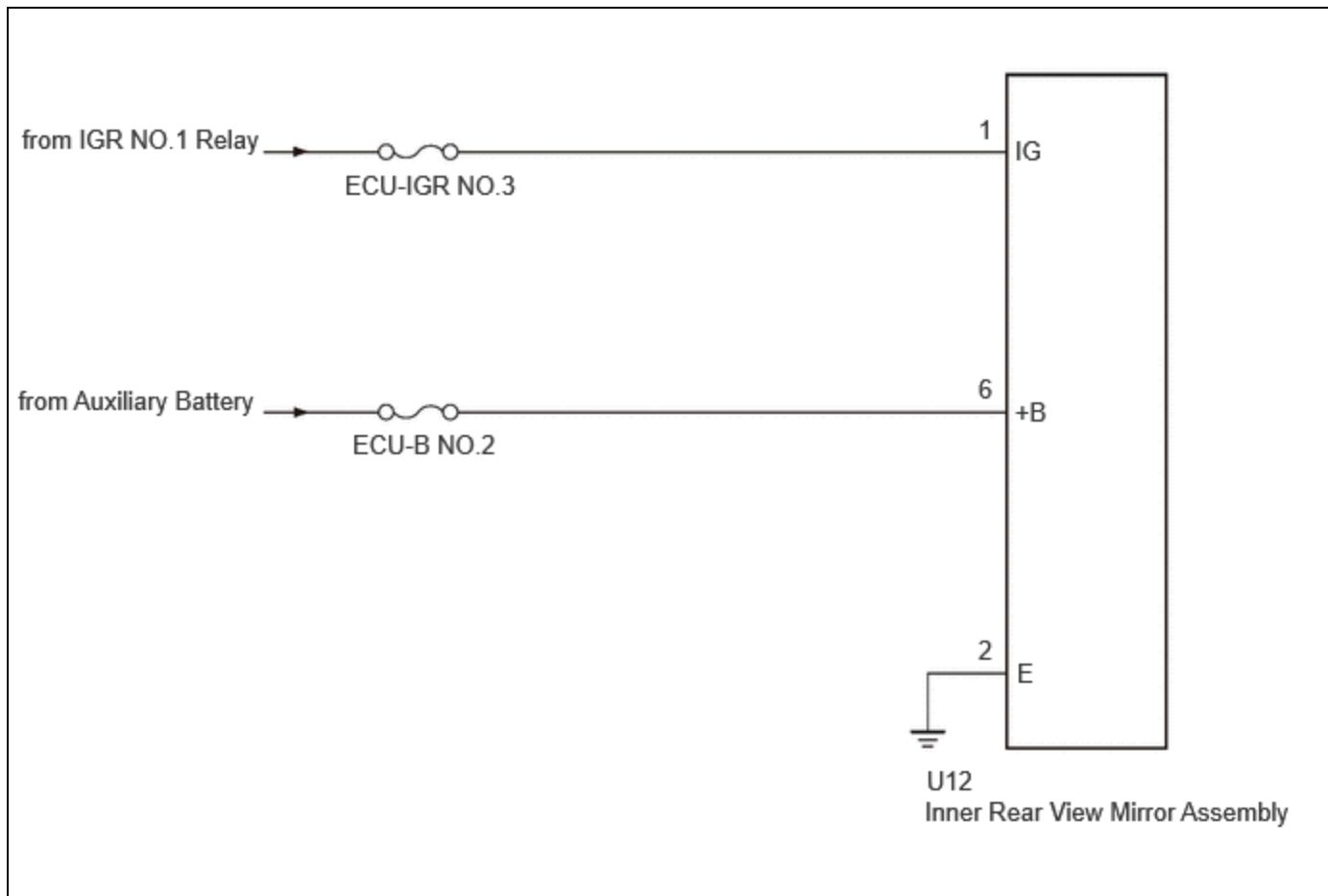
Last Modified: 12-04-2024	6.11:8.1.0	Doc ID: RM1000000299KT
Model Year Start: 2023	Model: Prius Prime	Prod Date Range: [12/2022 -]
Title: MIRROR (INT): DIGITAL REAR-VIEW MIRROR SYSTEM: The Camera Indicator is not Displayed; 2023 - 2024 MY Prius Prius Prime [12/2022 -]		

The Camera Indicator is not Displayed

DESCRIPTION

Power is supplied to the inner rear view mirror assembly through this circuit.

WIRING DIAGRAM



CAUTION / NOTICE / HINT

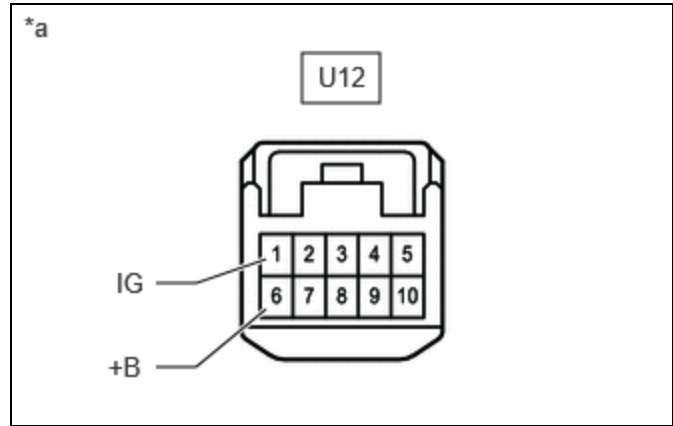
NOTICE:

Inspect the fuses for circuits related to this system before performing the following procedure.

PROCEDURE

1.	CHECK HARNESS AND CONNECTOR (INNER REAR VIEW MIRROR ASSEMBLY - BODY GROUND)
-----------	--

(a) Disconnect the inner rear view mirror assembly connector.



*a Front view of wire harness connector (to Inner Rear View Mirror Assembly)

(b) Measure the voltage according to the value(s) in the table below.

Standard Voltage:



[Click Location & Routing\(U12\).](#)

[Click Connector\(U12\).](#)

TESTER CONNECTION	SWITCH CONDITION	SPECIFIED CONDITION
U12-1 (IG) - Body ground	Ignition switch ON	11 to 14 V
U12-6 (+B) - Body ground	Ignition switch off	11 to 14 V

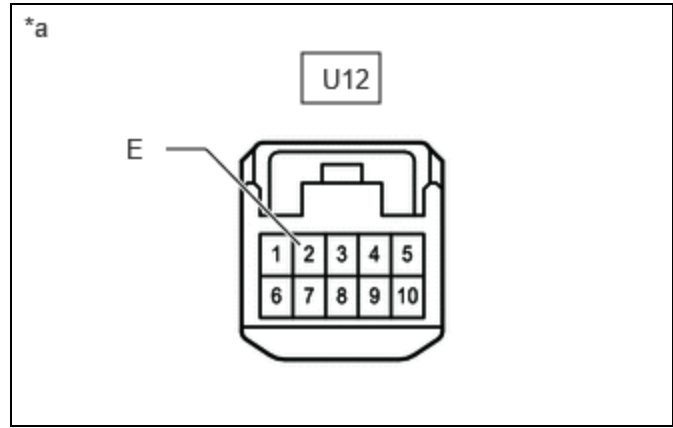
NG ► REPAIR OR REPLACE HARNESS OR CONNECTOR

OK



2.	CHECK HARNESS AND CONNECTOR (INNER REAR VIEW MIRROR ASSEMBLY - BODY GROUND)
-----------	--

(a) Disconnect the inner rear view mirror assembly connector.



*a Front view of wire harness connector (to Inner Rear View Mirror Assembly)

(b) Measure the resistance according to the value(s) in the table below.

Standard Resistance:



[Click Location & Routing\(U12\)](#)

[Click Connector\(U12\)](#)

TESTER CONNECTION	CONDITION	SPECIFIED CONDITION
U12-2 (E) - Body ground	Always	Below 1 Ω

OK ► REPLACE INNER REAR VIEW MIRROR ASSEMBLY

NG ► REPAIR OR REPLACE HARNESS OR CONNECTOR

