

Last Modified: 12-04-2024	6.11:8.1.0	Doc ID: RM100000002907U
Model Year Start: 2023	Model: Prius Prime	Prod Date Range: [12/2022 -]
Title: METER / GAUGE / DISPLAY: COMBINATION METER: REMOVAL; 2023 - 2024 MY Prius Prius Prime [12/2022 -]		

REMOVAL

CAUTION / NOTICE / HINT

The necessary procedures (adjustment, calibration, initialization or registration) that must be performed after parts are removed and installed, or replaced during combination meter removal/installation are shown below.

Necessary Procedures After Parts Removed/Installed/Replaced

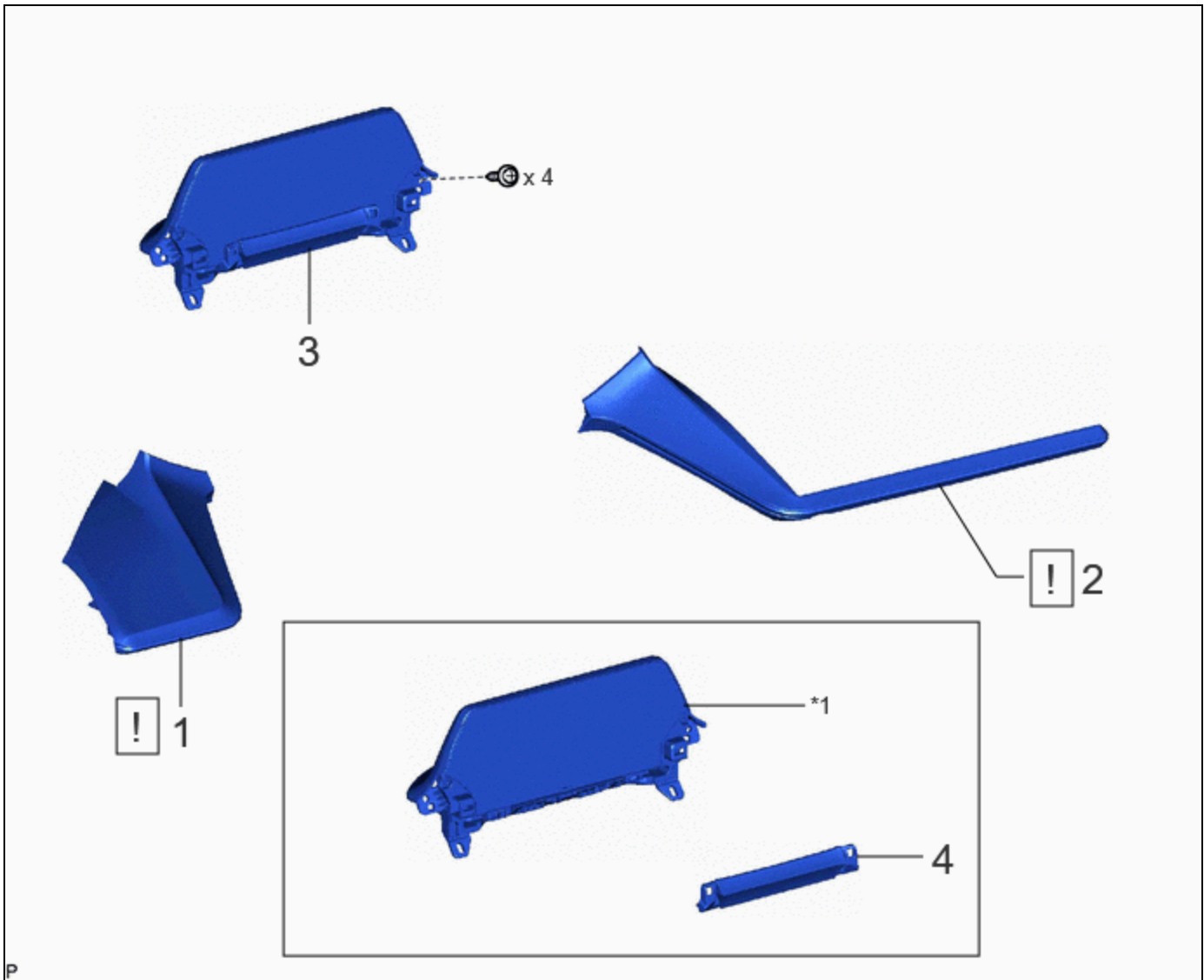
REPLACED PART OR PERFORMED PROCEDURE	NECESSARY PROCEDURES	EFFECT/INOPERATIVE FUNCTION WHEN NECESSARY PROCEDURES ARE NOT PERFORMED	LINK
Combination meter assembly	Update ECU security key	Vehicle Control History (RoB) are stored	INFO

NOTICE:

When replacing the combination meter assembly, always replace it with a new one. If a combination meter assembly which was installed to another vehicle is used, the information stored in it will not match the information from the vehicle and a DTC may be stored.

CAUTION / NOTICE / HINT

COMPONENTS (REMOVAL)



PROCEDURE		PART NAME CODE			
1	INSTRUMENT CLUSTER FINISH PANEL ASSEMBLY	55410C	INFO	-	-
2	CENTER INSTRUMENT CLUSTER FINISH PANEL ASSEMBLY	55420A	INFO	-	-
3	COMBINATION METER SUB-ASSEMBLY	-	-	-	-
4	NO. 1 INSTRUMENT CLUSTER FINISH PANEL	55411G	-	-	-


*1	COMBINATION METER ASSEMBLY	-	-
----	----------------------------	---	---

PROCEDURE

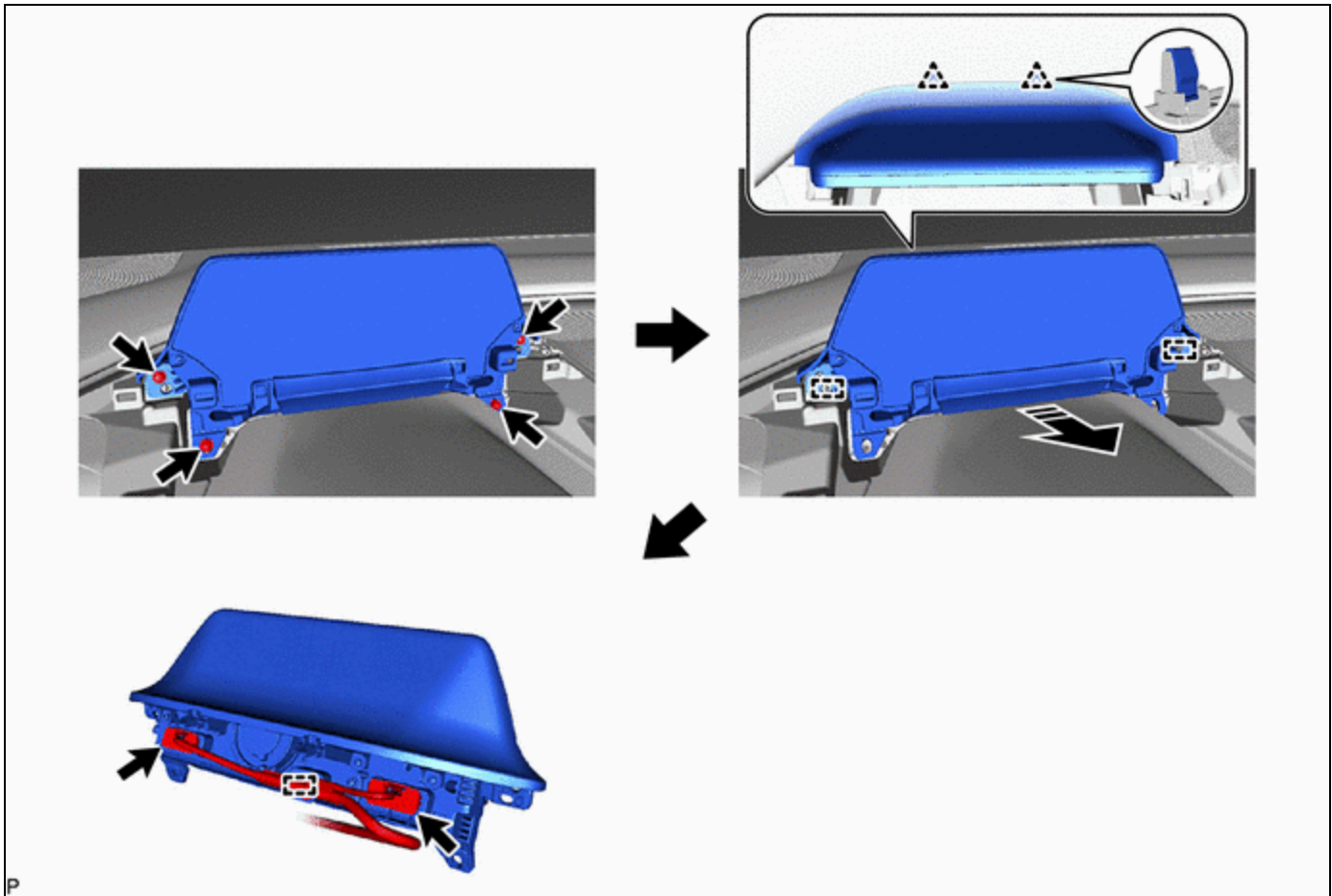
1. REMOVE INSTRUMENT CLUSTER FINISH PANEL ASSEMBLY


	Click here INFO
---	---------------------------------

2. REMOVE CENTER INSTRUMENT CLUSTER FINISH PANEL ASSEMBLY

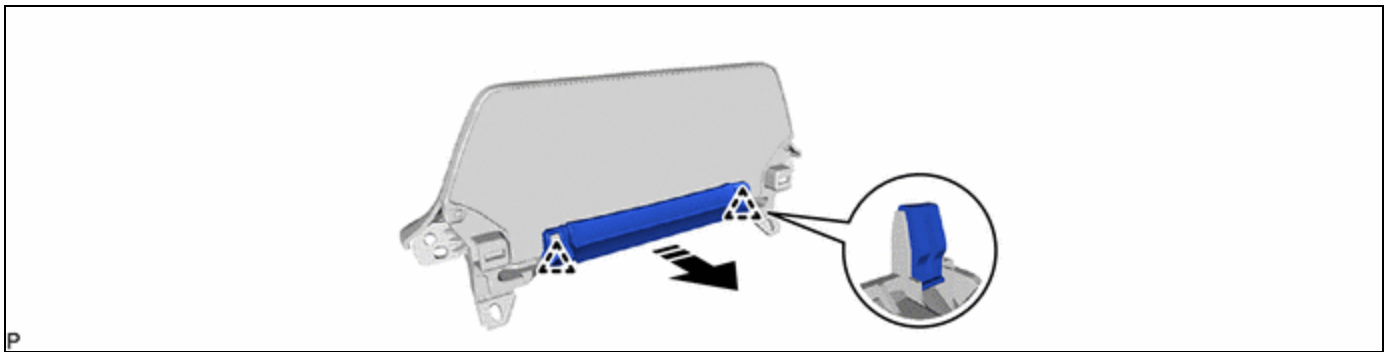
	Click here INFO
---	---------------------------------


3. REMOVE COMBINATION METER SUB-ASSEMBLY



	Remove in this Direction	-	-
---	--------------------------	---	---

4. REMOVE NO. 1 INSTRUMENT CLUSTER FINISH PANEL



	Remove in this Direction	-	-
---	--------------------------	---	---

