

Last Modified: 12-04-2024	6.11:8.1.0	Doc ID: RM1000000029O7R
Model Year Start: 2023	Model: Prius Prime	Prod Date Range: [12/2022 -]
Title: METER / GAUGE / DISPLAY: COMBINATION METER: INSTALLATION; 2023 - 2024 MY Prius Prius Prime [12/2022 -]		

INSTALLATION

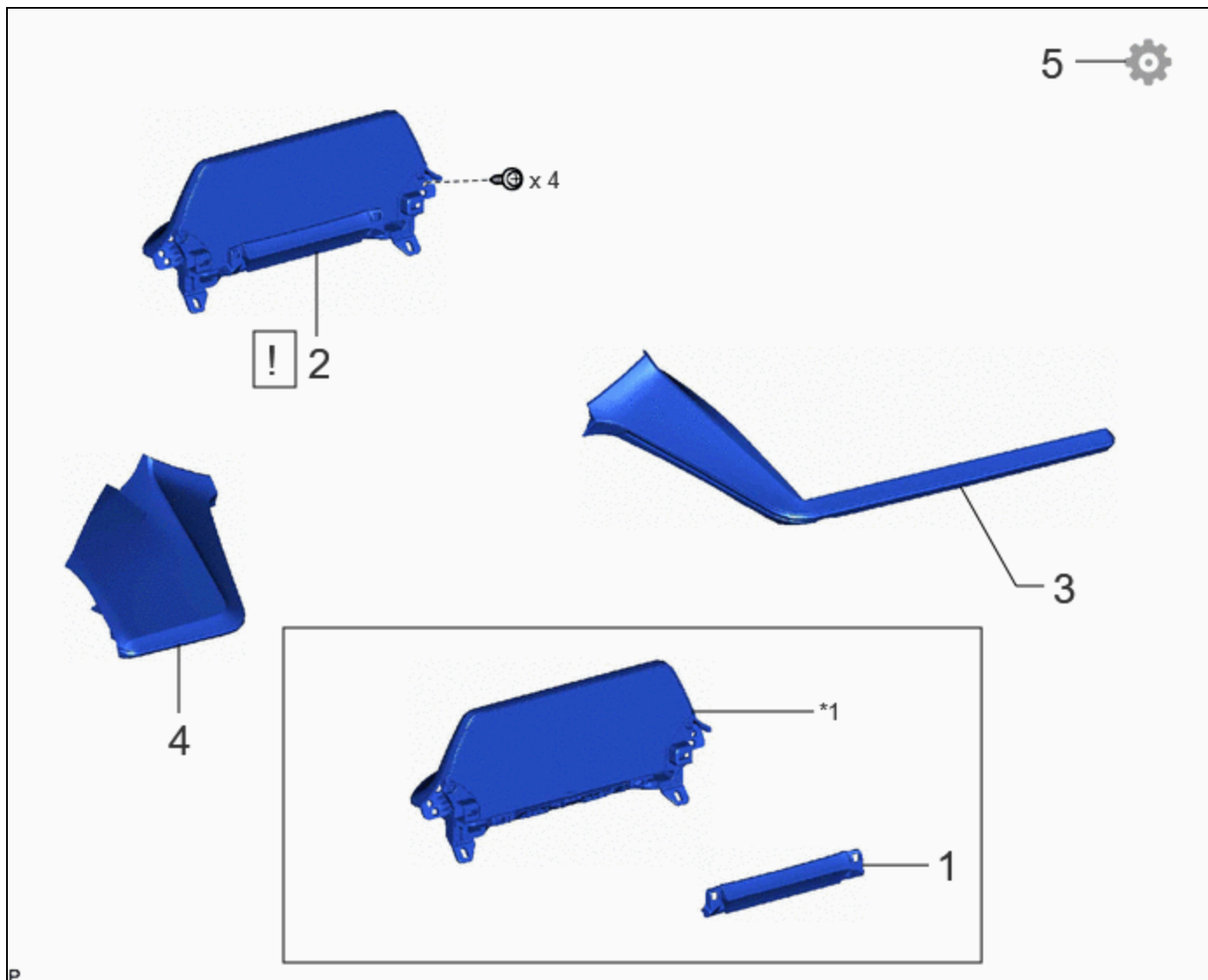
CAUTION / NOTICE / HINT




NOTICE:

After replacing the combination meter assembly, make sure to perform update ECU security key.

CAUTION / NOTICE / HINT

COMPONENTS (INSTALLATION)



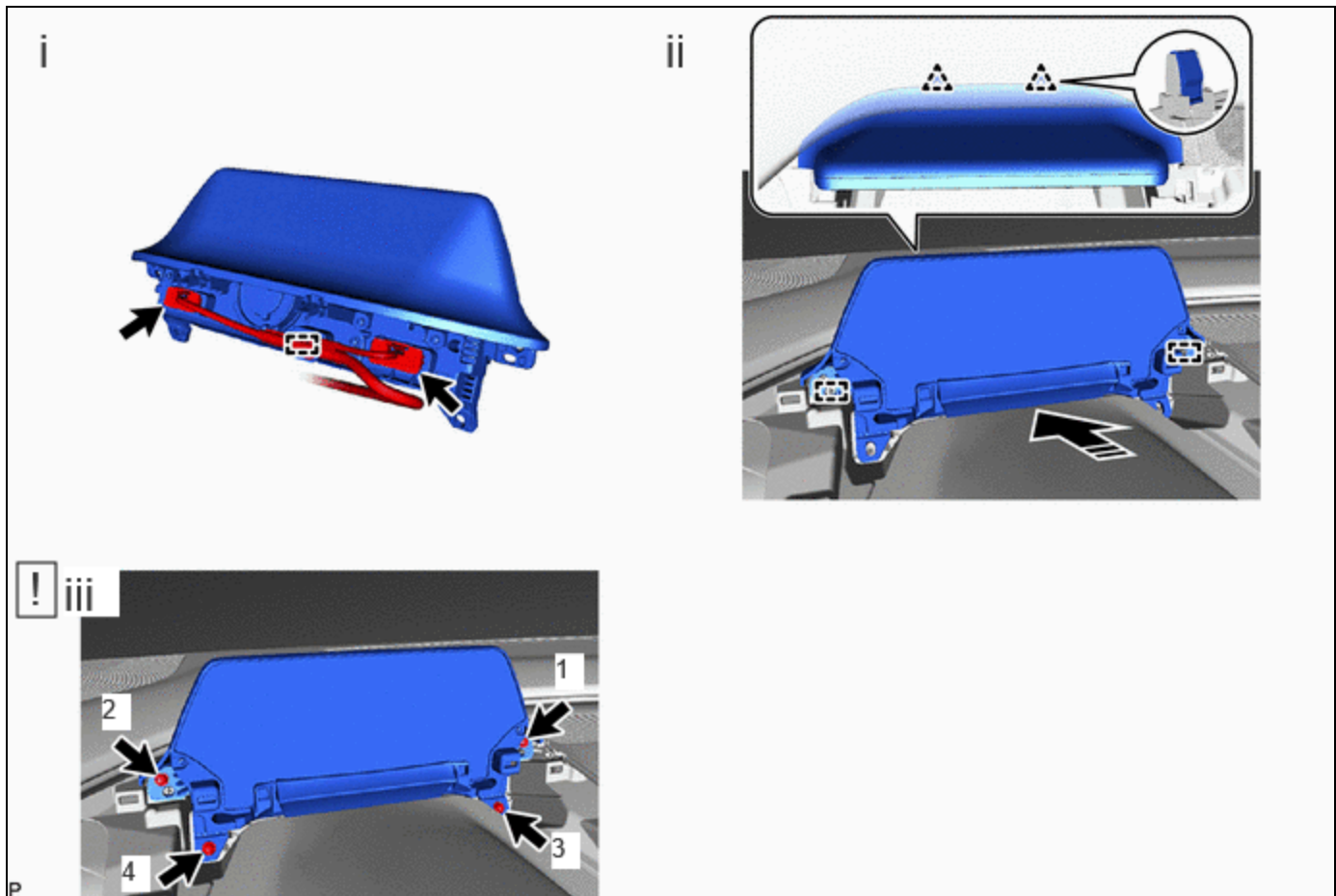
PROCEDURE		PART NAME CODE			
1	NO. 1 INSTRUMENT CLUSTER FINISH PANEL	55411G	-	-	-
2	COMBINATION METER SUB-ASSEMBLY	-	INFO	-	-
3	CENTER INSTRUMENT CLUSTER FINISH PANEL ASSEMBLY	55420A	-	-	-
4	INSTRUMENT CLUSTER FINISH PANEL ASSEMBLY	55410C	-	-	-
5	UPDATE ECU SECURITY KEY	-	-	-	INFO


*1	COMBINATION METER ASSEMBLY	-	-
----	----------------------------	---	---

PROCEDURE

1. INSTALL NO. 1 INSTRUMENT CLUSTER FINISH PANEL

2. INSTALL COMBINATION METER SUB-ASSEMBLY



	Install in this Direction	-	-
---	---------------------------	---	---

- (1) Connect each connector and engage the clamp.
- (2) Engage the 2 guides and 2 clips as shown in the illustration.

(3) Install the combination meter sub-assembly with the 4 screws in the order shown in the illustration.

3. INSTALL CENTER INSTRUMENT CLUSTER FINISH PANEL ASSEMBLY

4. INSTALL INSTRUMENT CLUSTER FINISH PANEL ASSEMBLY

5. UPDATE ECU SECURITY KEY

Click here 

