

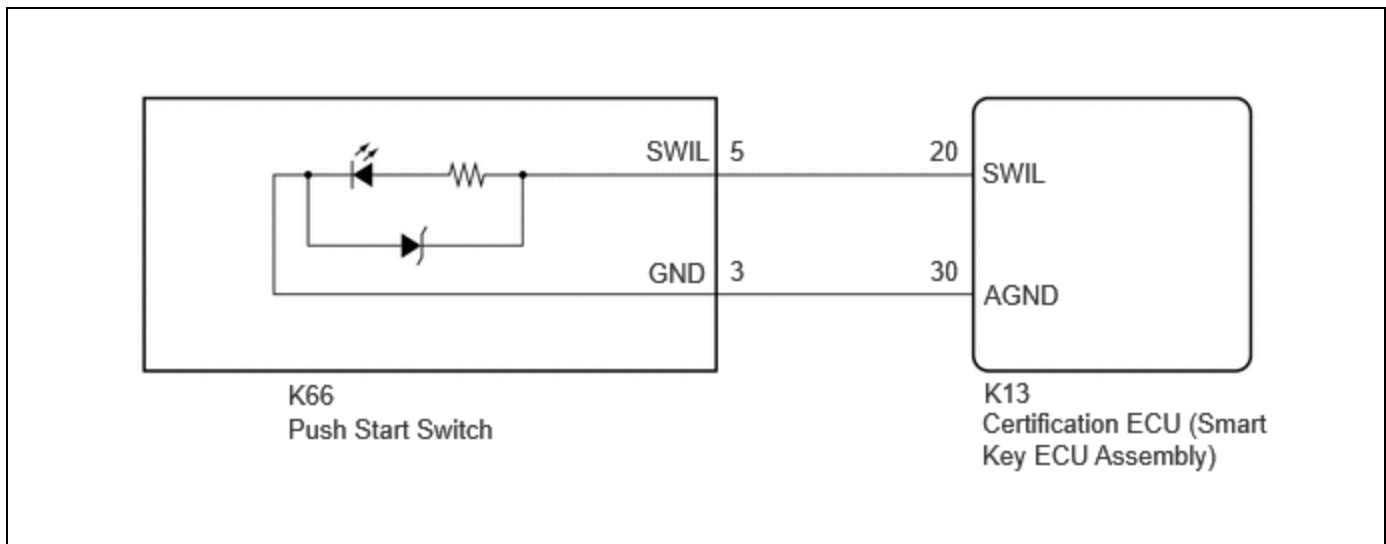
Last Modified: 12-04-2024	6.11:8.1.0	Doc ID: RM100000029IN1
Model Year Start: 2023	Model: Prius Prime	Prod Date Range: [12/2022 -]
Title: LIGHTING (INT): LIGHTING SYSTEM: Push Start Switch Illumination Circuit; 2023 - 2024 MY Prius Prius Prime [12/2022 -]		

Push Start Switch Illumination Circuit

DESCRIPTION

The illuminated entry system controls the push start switch illumination.

WIRING DIAGRAM



CAUTION / NOTICE / HINT

NOTICE:

Before replacing the certification ECU (smart key ECU assembly), refer to Registration.

Click here [INFO](#)

PROCEDURE

1.	PERFORM ACTIVE TEST USING GTS
-----------	--------------------------------------

(a) Perform the Active Test according to the display on the GTS.

Body Electrical > Smart Key > Active Test

TESTER DISPLAY	MEASUREMENT ITEM	CONTROL RANGE	DIAGNOSTIC NOTE
Start SW Light Power Supply	Push start switch illumination	OFF or ON	-

Body Electrical > Smart Key > Active Test

TESTER DISPLAY
Start SW Light Power Supply

OK:
Push start switch illumination comes on.

OK ▶ **PROCEED TO NEXT SUSPECTED AREA SHOWN IN PROBLEM SYMPTOMS TABLE** [INFO](#)

NG
▼

2.	INSPECT PUSH START SWITCH
-----------	----------------------------------

for M20A-FXS: Click here [INFO](#)

for 2ZR-FXE: Click here [INFO](#)

NG ▶ **REPLACE PUSH START SWITCH**

for M20A-FXS: Click here [INFO](#)

for 2ZR-FXE: Click here [INFO](#)

OK
▼

3.	CHECK HARNESS AND CONNECTOR (PUSH START SWITCH - CERTIFICATION ECU (SMART KEY ECU ASSEMBLY))
-----------	---

(a) Disconnect the K13 certification ECU (smart key ECU assembly) connector.

(b) Measure the resistance according to the value(s) in the table below.

Standard Resistance:



[Click Location & Routing\(K66,K13\).](#)

[Click Connector\(K66\).](#)

[Click Connector\(K13\).](#)

TESTER CONNECTION	CONDITION	SPECIFIED CONDITION
K66-5(SWIL) - K13-20(SWIL)	Always	Below 1 Ω

TESTER CONNECTION	CONDITION	SPECIFIED CONDITION
K66-3(GND) - K13-30(AGND)	Always	Below 1 Ω
K66-5(SWIL) or K13-20(SWIL) - Body ground	Always	10 k Ω or higher
K66-3(GND) or K13-30(AGND) - Body ground	Always	10 k Ω or higher

OK ► **REPLACE CERTIFICATION ECU (SMART KEY ECU ASSEMBLY)** [INFO](#)

NG ► **REPAIR OR REPLACE HARNESS OR CONNECTOR**

