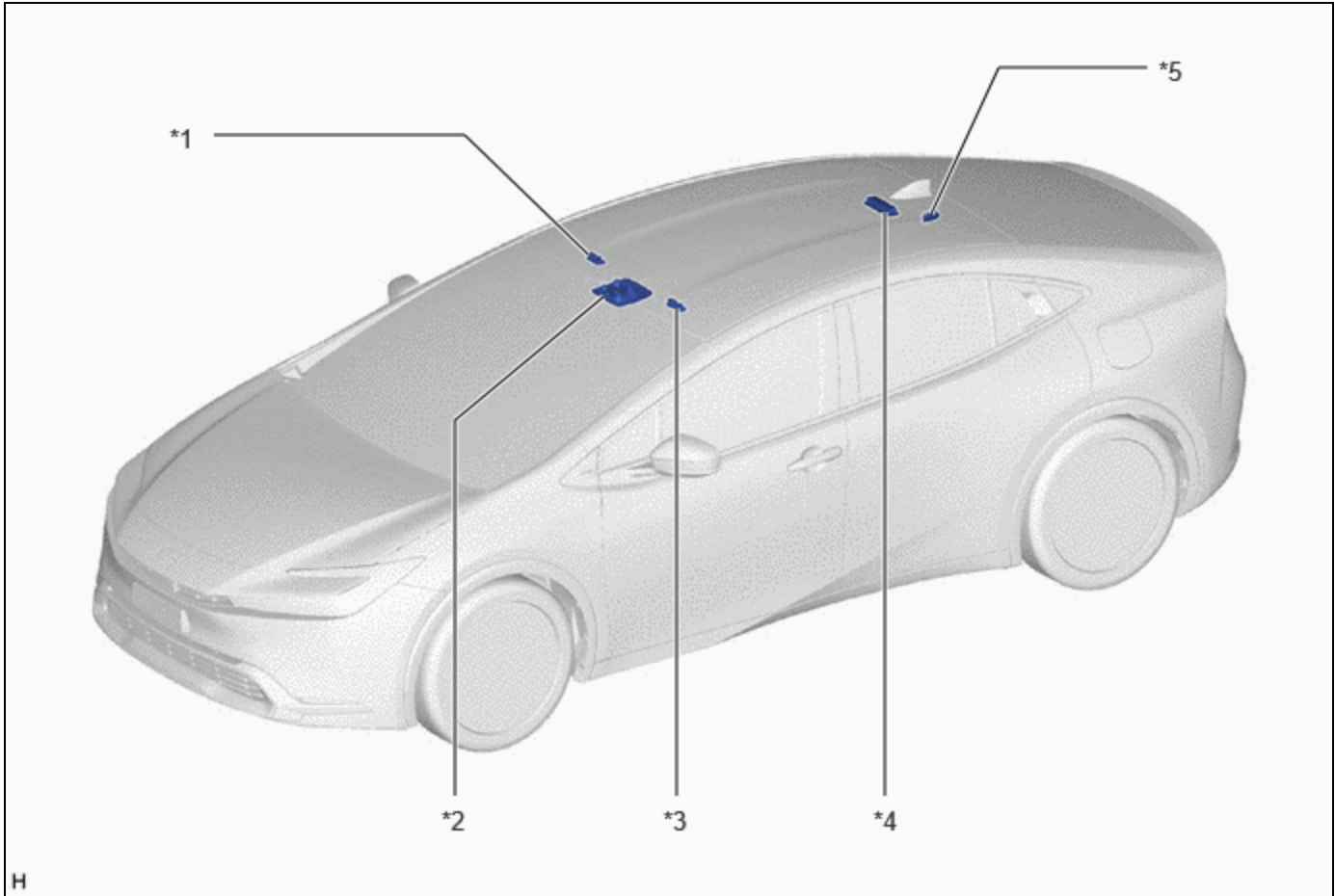


Last Modified: 12-04-2024	6.11:8.1.0	Doc ID: RM100000002BJU3
Model Year Start: 2023	Model: Prius Prime	Prod Date Range: [03/2023 -]
Title: LIGHTING (INT): LIGHTING SYSTEM: PARTS LOCATION; 2023 - 2024 MY Prius Prius Prime [03/2023 -]		

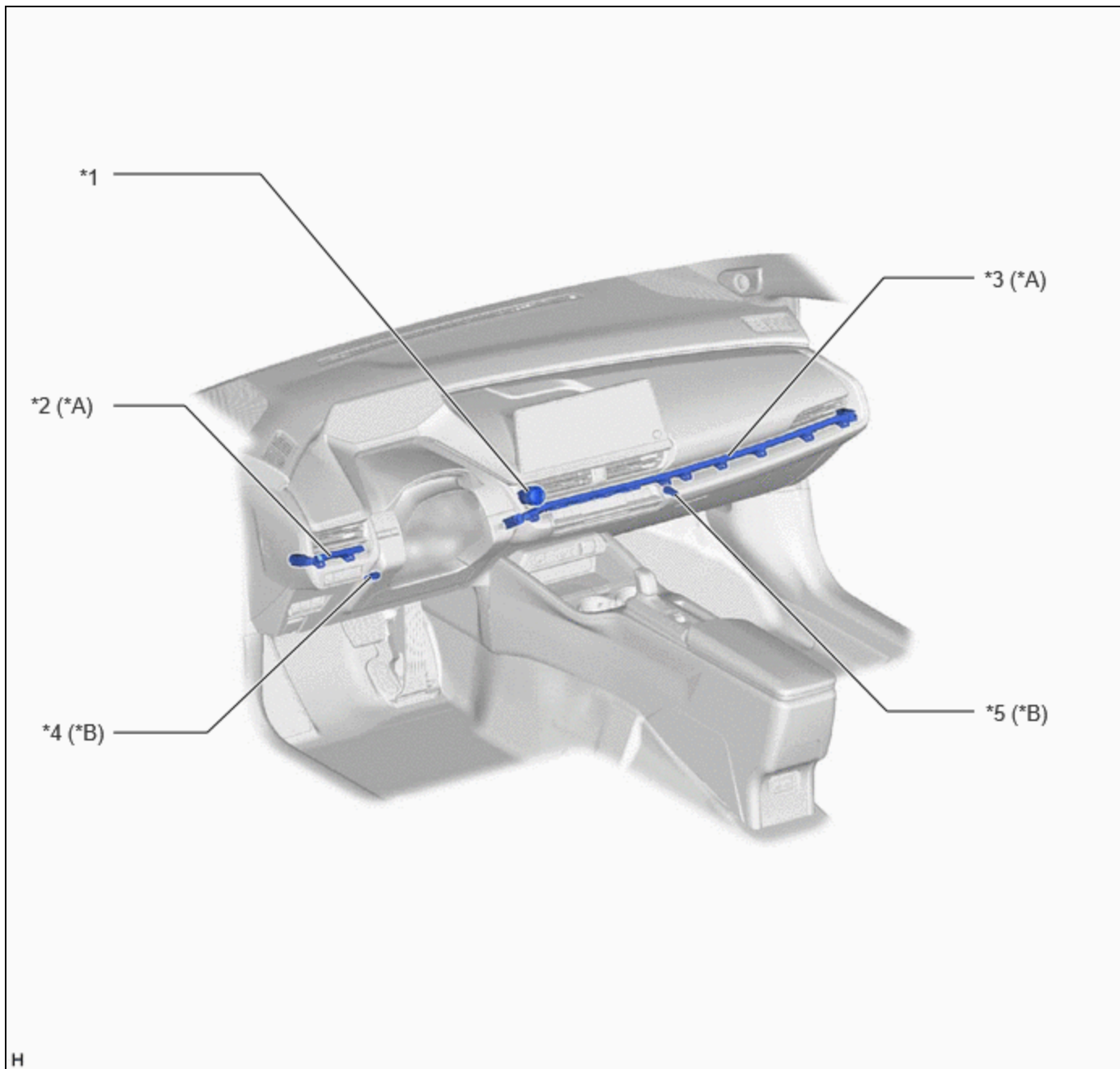
PARTS LOCATION

ILLUSTRATION



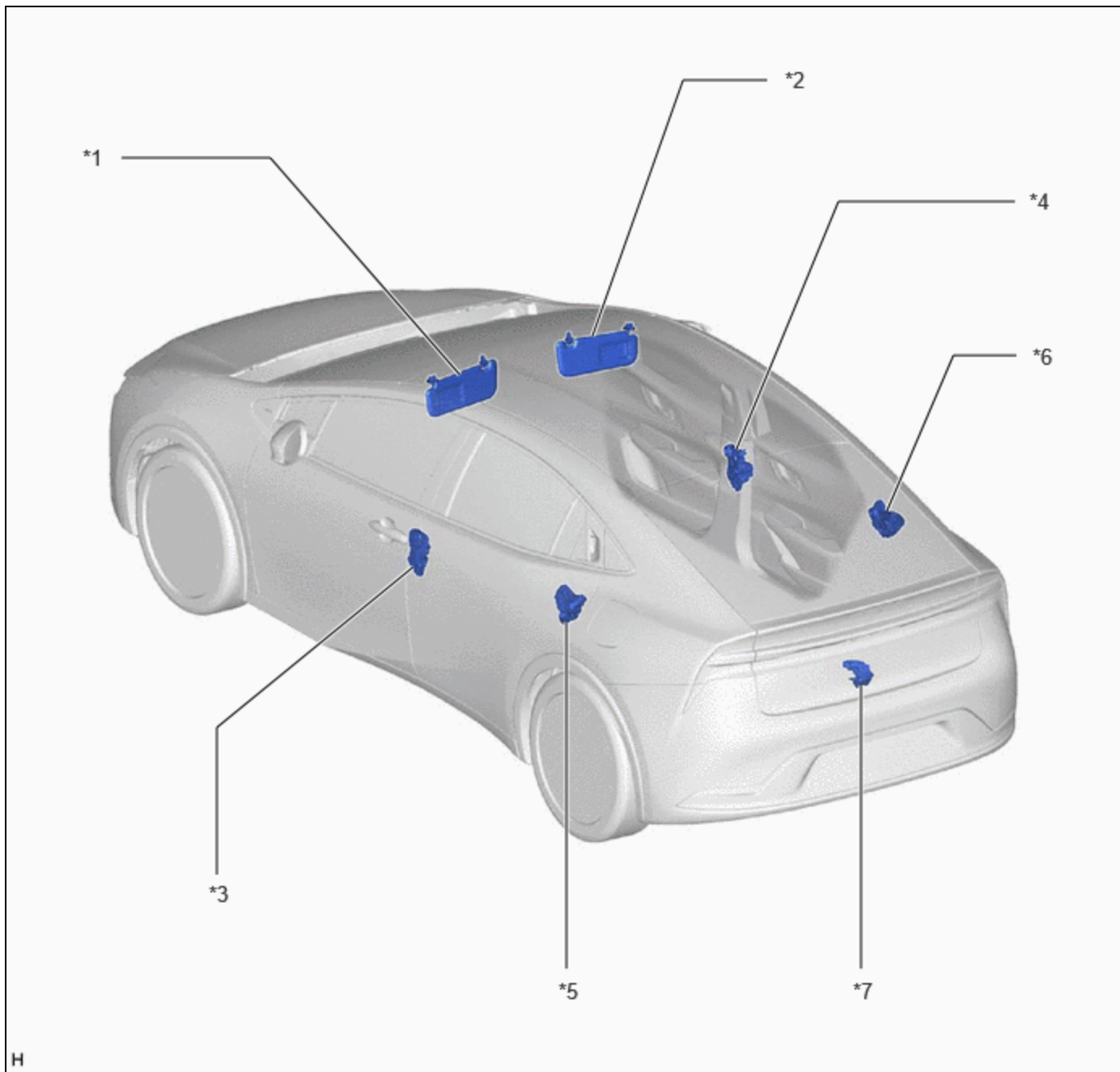
*1	VANITY LIGHT ASSEMBLY (RH)	*2	MAP LIGHT ASSEMBLY
*3	VANITY LIGHT ASSEMBLY (LH)	*4	SPOT LIGHT ASSEMBLY
*5	NO. 1 LUGGAGE COMPARTMENT LIGHT ASSEMBLY	-	-

ILLUSTRATION



*A	w/ Ambient Illumination Light	*B	w/ Footwell Light
*1	PUSH START SWITCH	*2	NO. 1 INTERIOR ILLUMINATION LIGHT ASSEMBLY (NO. 1 INSTRUMENT PANEL GARNISH SUB-ASSEMBLY)
*3	NO. 2 INTERIOR ILLUMINATION LIGHT ASSEMBLY (NO. 2 INSTRUMENT PANEL GARNISH SUB-ASSEMBLY)	*4	NO. 2 INTERIOR ILLUMINATION LIGHT ASSEMBLY (LH)
*5	NO. 2 INTERIOR ILLUMINATION LIGHT ASSEMBLY (RH)	-	-

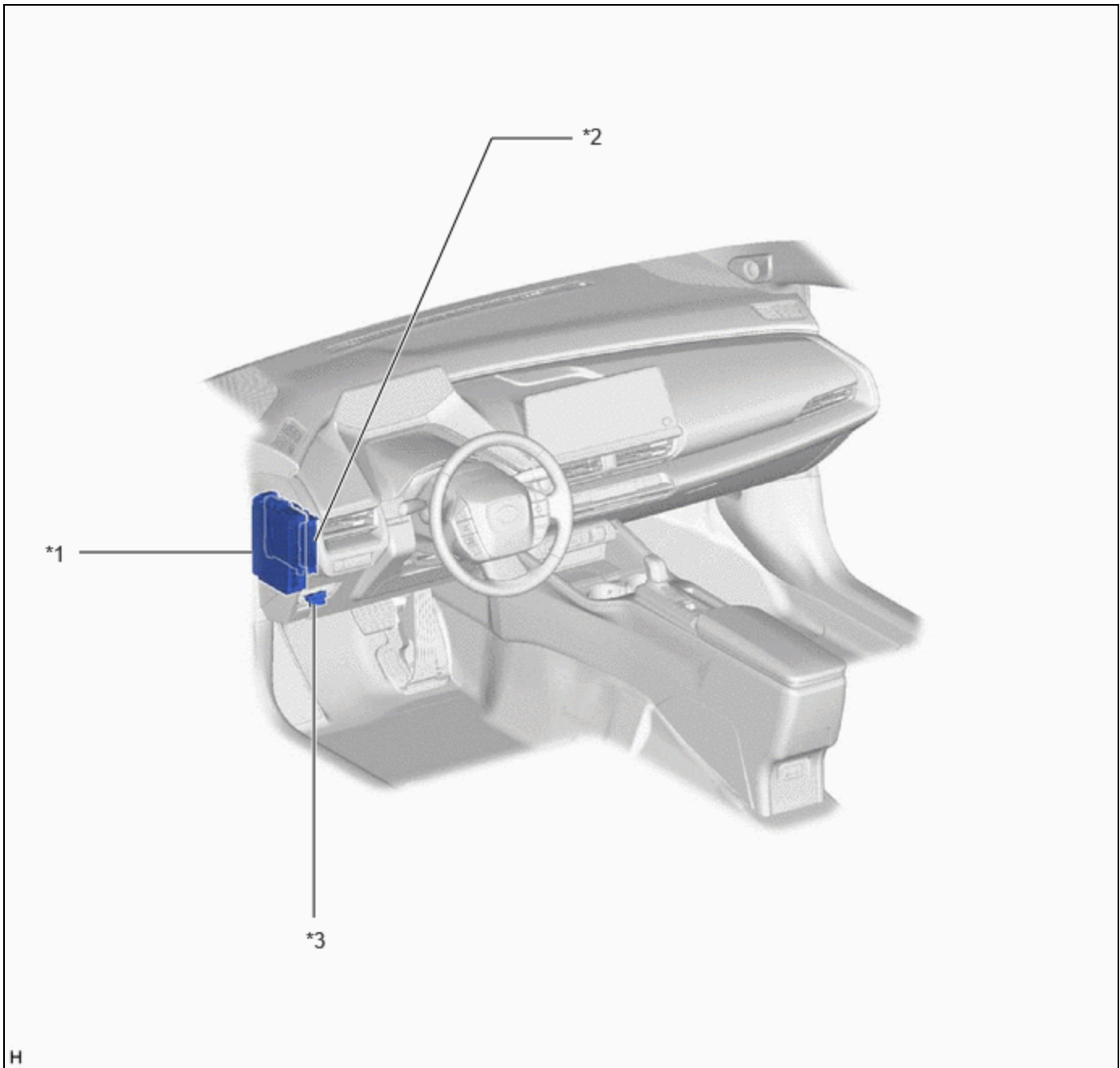
ILLUSTRATION



H

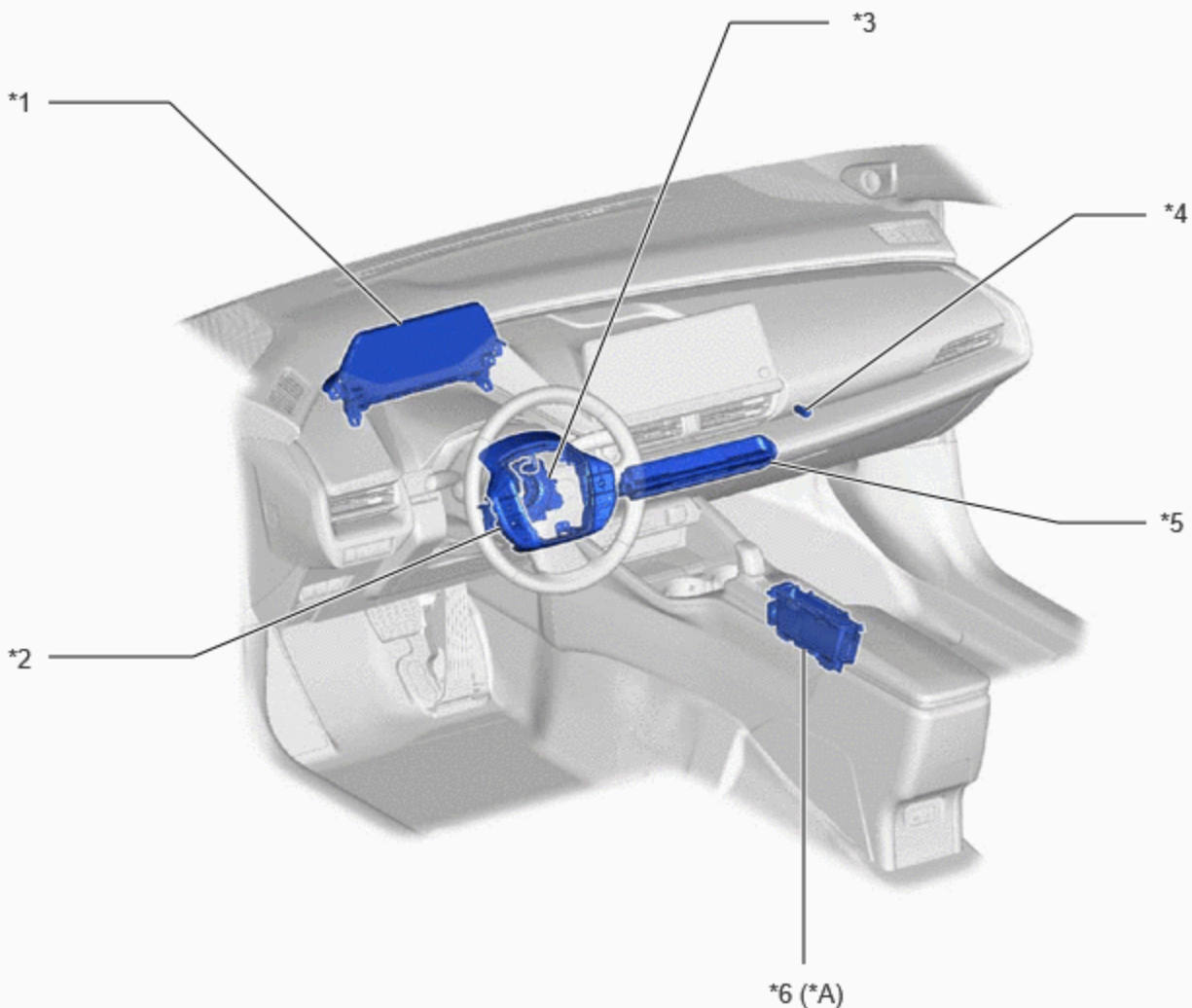
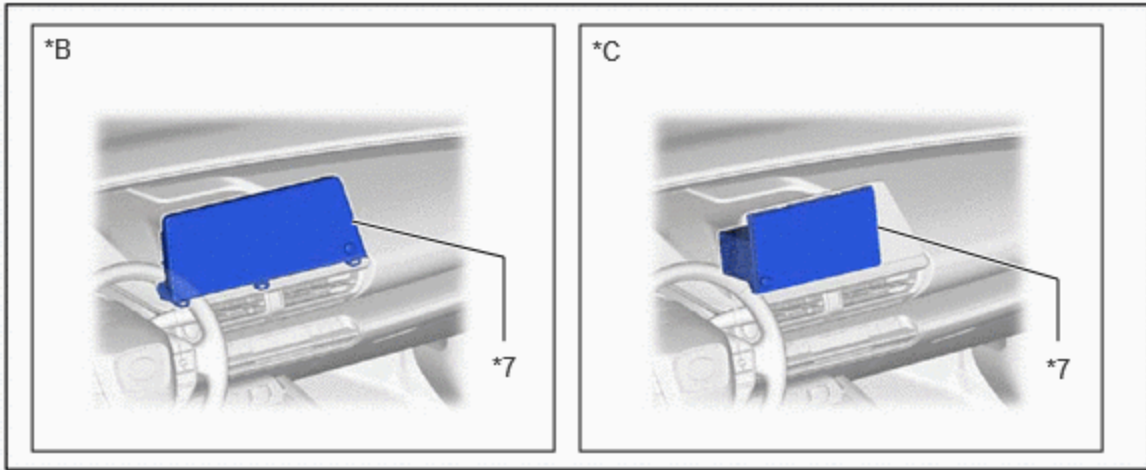
*1	VISOR ASSEMBLY LH	*2	VISOR ASSEMBLY RH
*3	FRONT DOOR LOCK WITH MOTOR ASSEMBLY LH	*4	FRONT DOOR LOCK WITH MOTOR ASSEMBLY RH
*5	REAR DOOR LOCK ASSEMBLY LH	*6	REAR DOOR LOCK ASSEMBLY RH
*7	BACK DOOR LOCK WITH COURTESY LIGHT SWITCH ASSEMBLY	-	-

ILLUSTRATION



*1	POWER DISTRIBUTION BOX ASSEMBLY	*2	MAIN BODY ECU (MULTIPLEX NETWORK BODY ECU)
*3	DLC3	-	-

ILLUSTRATION

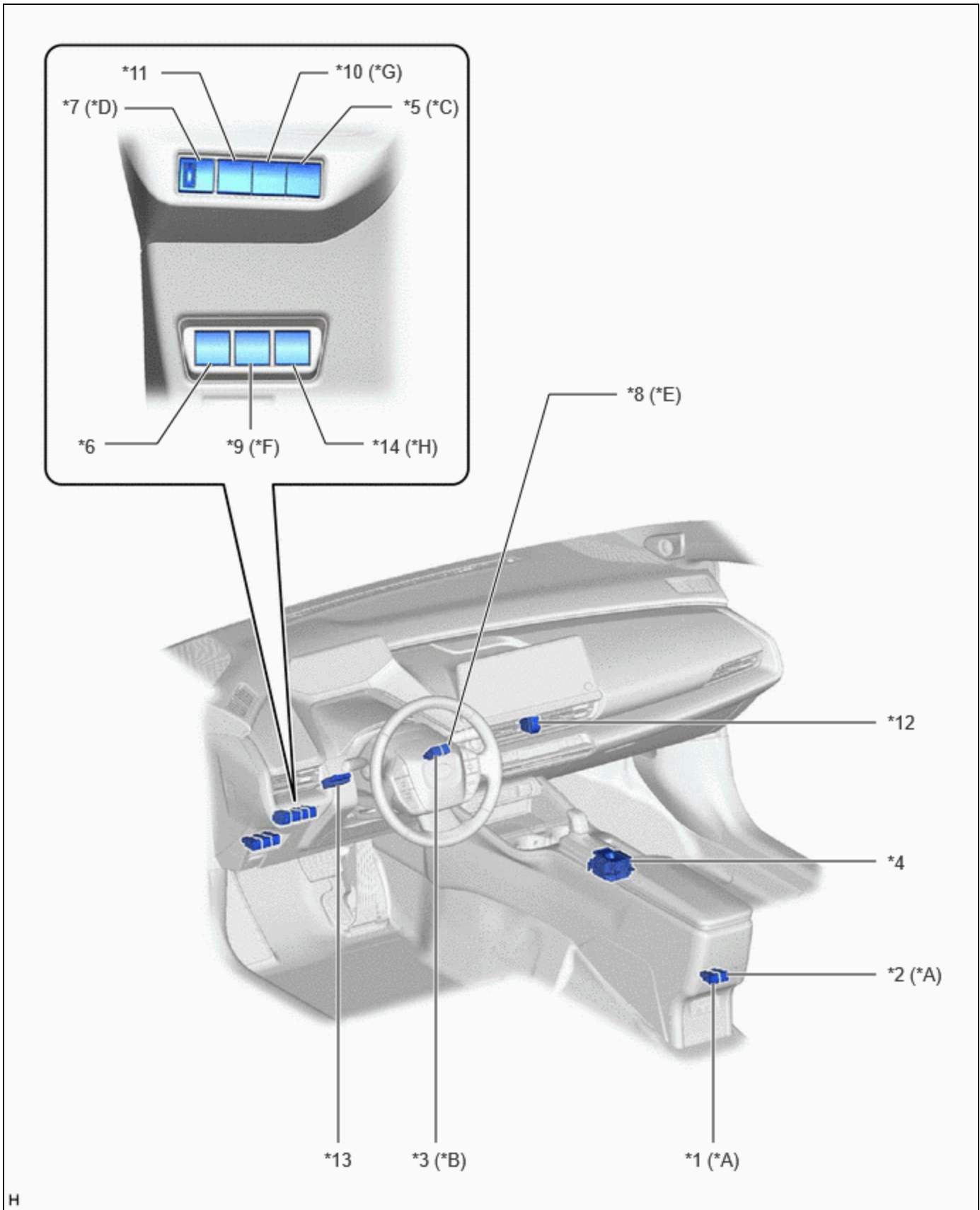


H

*A	w/ Wireless Charging System	*B	for 12.3 Inch Display
*C	for 8 Inch Display	-	-
*1	COMBINATION METER ASSEMBLY	*2	STEERING PAD SWITCH ASSEMBLY

*3	SPIRAL CABLE SUB-ASSEMBLY	*4	NO. 1 INTERIOR ILLUMINATION LIGHT ASSEMBLY
*5	AIR CONDITIONING CONTROL ASSEMBLY	*6	MOBILE WIRELESS CHARGER CRADLE ASSEMBLY
*7	RADIO AND DISPLAY RECEIVER ASSEMBLY	-	-

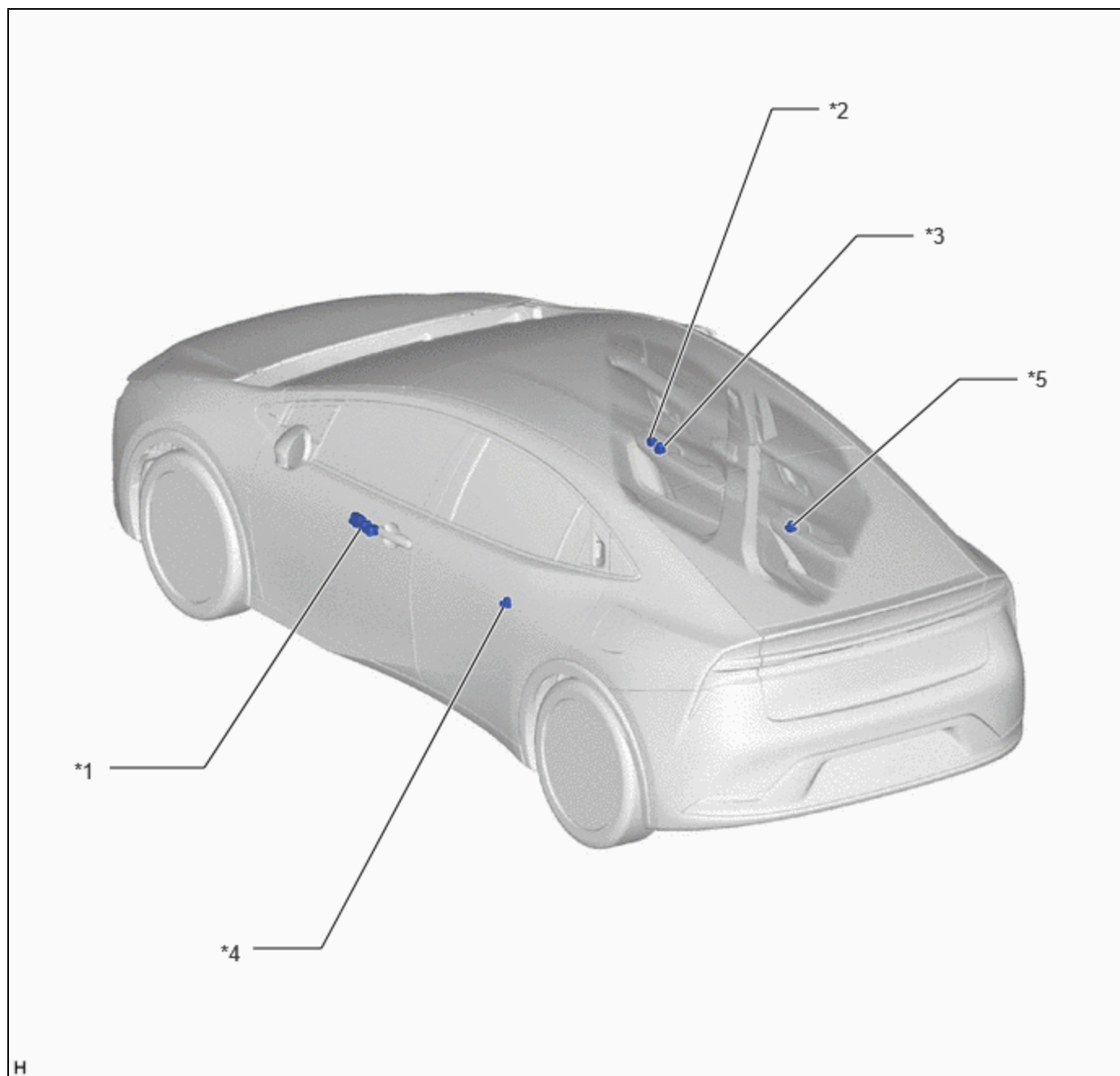
ILLUSTRATION



*A	w/ Rear Seat Heater	*B	w/ Advanced Park
*C	w/ Heated Steering Heater System	*D	w/ Manual Headlight Leveling System
*E	w/ Panoramic View Monitor System	*F	w/ Power Back Door System
*G	w/ Windshield Deicer System	*H	w/ Accessory Power Outlet System

*1	REAR SEAT HEATER SWITCH (LH)	*2	REAR SEAT HEATER SWITCH (RH)
*3	IPA MAIN SWITCH ASSEMBLY	*4	ELECTRIC PARKING BRAKE SWITCH ASSEMBLY
*5	STEERING HEATER SWITCH	*6	FUEL LID OPENER SWITCH
*7	HEADLIGHT LEVELING SWITCH	*8	PANORAMIC VIEW MONITOR SWITCH
*9	POWER BACK DOOR CONTROL SWITCH	*10	FRONT WINDOW DEICER SWITCH
*11	AUTO HIGH BEAM SWITCH	*12	HAZARD WARNING SIGNAL SWITCH ASSEMBLY
*13	TRIP SWITCH	*14	POWER OUTLET SWITCH

ILLUSTRATION



*1	MULTIPLEX NETWORK MASTER SWITCH ASSEMBLY	*2	DOOR CONTROL SWITCH ASSEMBLY
*3	POWER WINDOW REGULATOR SWITCH ASSEMBLY	*4	REAR POWER WINDOW REGULATOR SWITCH ASSEMBLY (LH)
*5	REAR POWER WINDOW REGULATOR SWITCH ASSEMBLY (RH)	-	-

