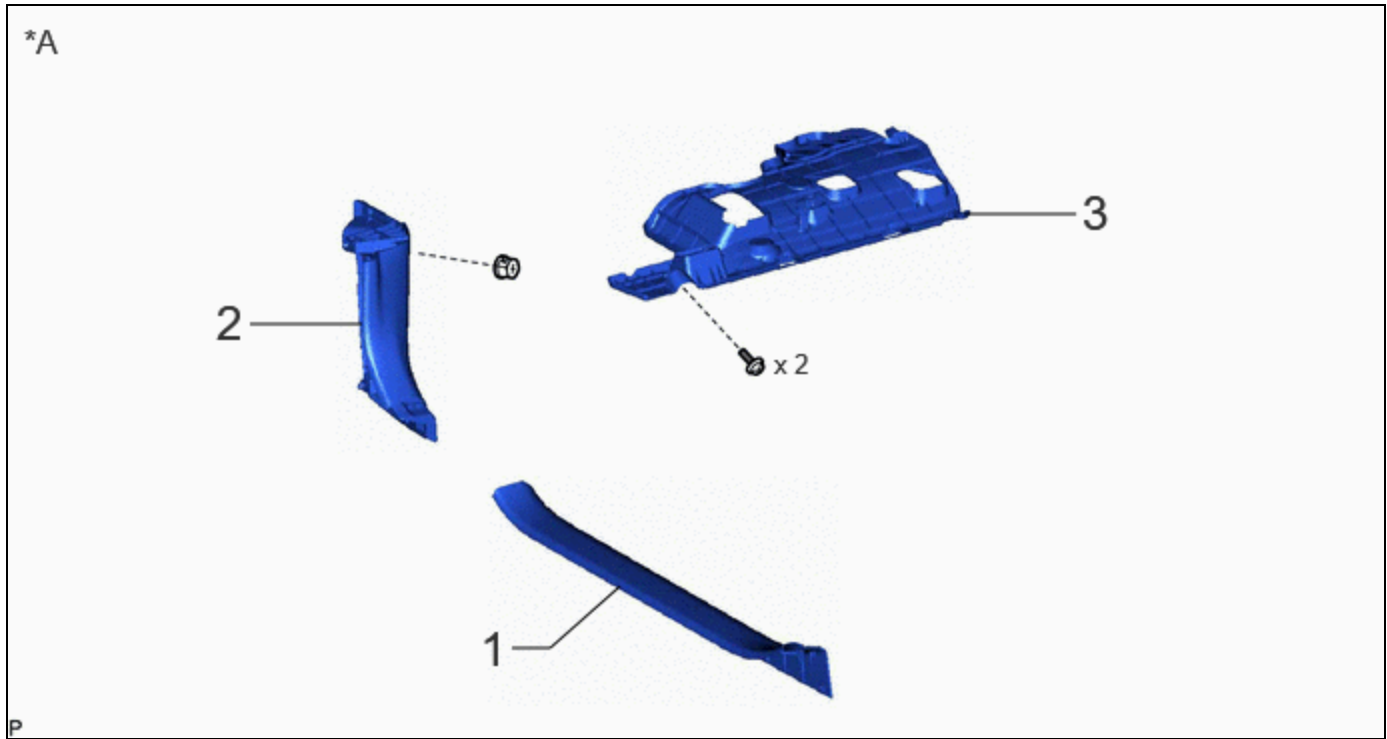


Last Modified: 12-04-2024	6.11:8.1.0	Doc ID: RM1000000029ZPO
Model Year Start: 2023	Model: Prius Prime	Prod Date Range: [12/2022 -]
Title: LIGHTING (INT): GLOVE BOX LIGHT: REMOVAL; 2023 - 2024 MY Prius Prius Prime [12/2022 -]		

REMOVAL

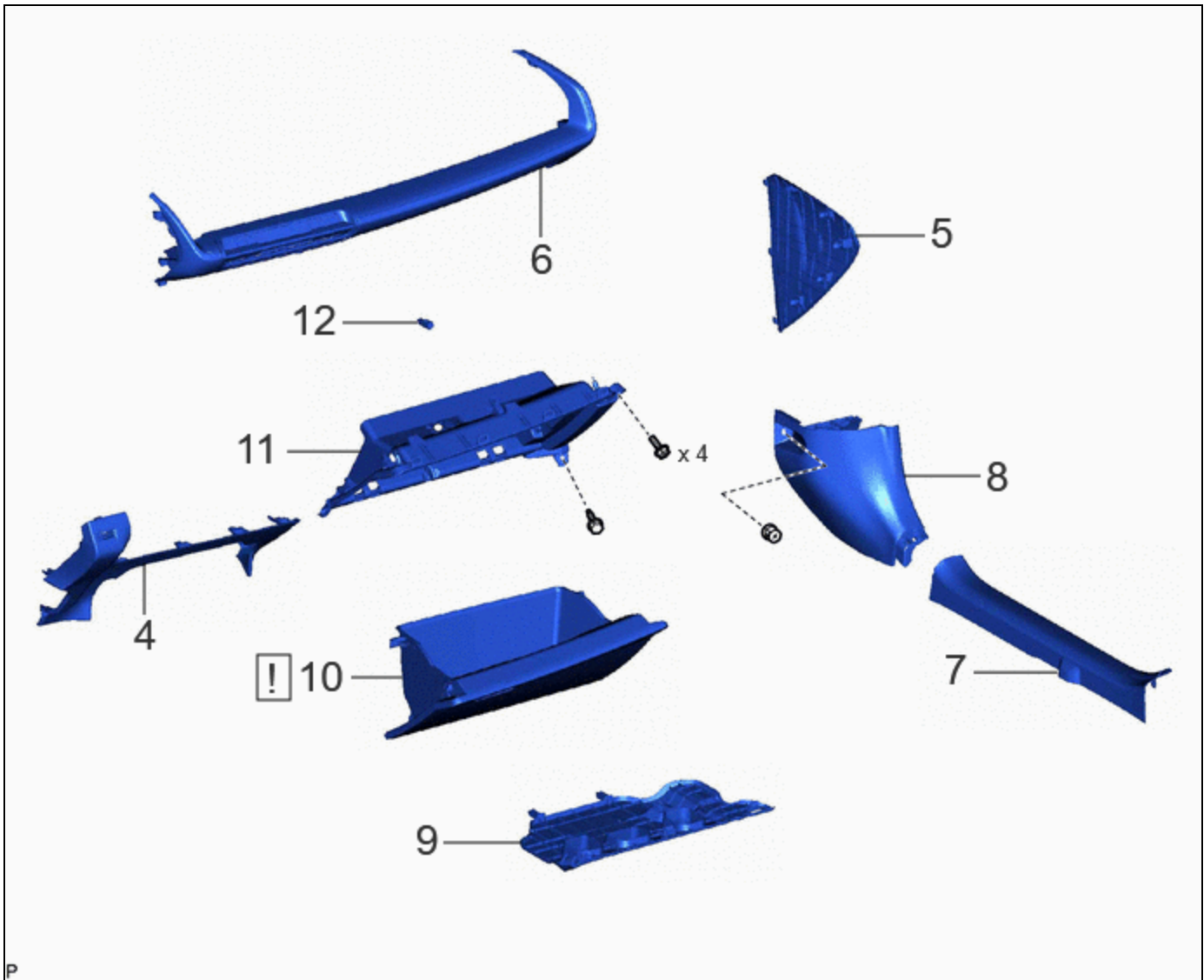
CAUTION / NOTICE / HINT




COMPONENTS (REMOVAL)



PROCEDURE		PART NAME CODE			
1	FRONT DOOR SCUFF PLATE LH	67914	-	-	-
2	COWL SIDE TRIM BOARD LH	62112	-	-	-
3	NO. 1 INSTRUMENT PANEL UNDER COVER SUB-ASSEMBLY	55606	-	-	-

*A	w/ Knee Airbag	-	-
----	----------------	---	---



PROCEDURE		PART NAME CODE			
4	LOWER CENTER INSTRUMENT PANEL FINISH PANEL	55434B	-	-	-
5	INSTRUMENT SIDE PANEL RH	55317A	-	-	-
6	NO. 2 INSTRUMENT PANEL GARNISH SUB-ASSEMBLY WITH AIR CONDITIONING CONTROL ASSEMBLY	-	-	-	-
7	FRONT DOOR SCUFF PLATE RH	67913	-	-	-
8	COWL SIDE TRIM BOARD RH	62111C	-	-	-
9	NO. 2 INSTRUMENT PANEL UNDER COVER SUB-ASSEMBLY	55607	-	-	-
10	GLOVE COMPARTMENT DOOR ASSEMBLY	55550	INFO	-	-
11	LOWER INSTRUMENT PANEL SUB-ASSEMBLY	55303B	-	-	-
12	NO. 1 INTERIOR ILLUMINATION LIGHT ASSEMBLY	81080J	-	-	-

PROCEDURE

1. REMOVE FRONT DOOR SCUFF PLATE LH (w/ Knee Airbag)

Click here [INFO](#)

2. REMOVE COWL SIDE TRIM BOARD LH (w/ Knee Airbag)

Click here [INFO](#)

3. REMOVE NO. 1 INSTRUMENT PANEL UNDER COVER SUB-ASSEMBLY (w/ Knee Airbag)

Click here [INFO](#)

4. REMOVE LOWER CENTER INSTRUMENT PANEL FINISH PANEL

Click here [INFO](#)

5. REMOVE INSTRUMENT SIDE PANEL RH

Click here [INFO](#)

6. REMOVE NO. 2 INSTRUMENT PANEL GARNISH SUB-ASSEMBLY WITH AIR CONDITIONING CONTROL ASSEMBLY

Click here [INFO](#)

7. REMOVE FRONT DOOR SCUFF PLATE RH

(a) Use the same procedure as for the LH side.

Click here [INFO](#)

8. REMOVE COWL SIDE TRIM BOARD RH

(a) Use the same procedure as for the LH side.

Click here [INFO](#)

9. REMOVE NO. 2 INSTRUMENT PANEL UNDER COVER SUB-ASSEMBLY

Click here [INFO](#)

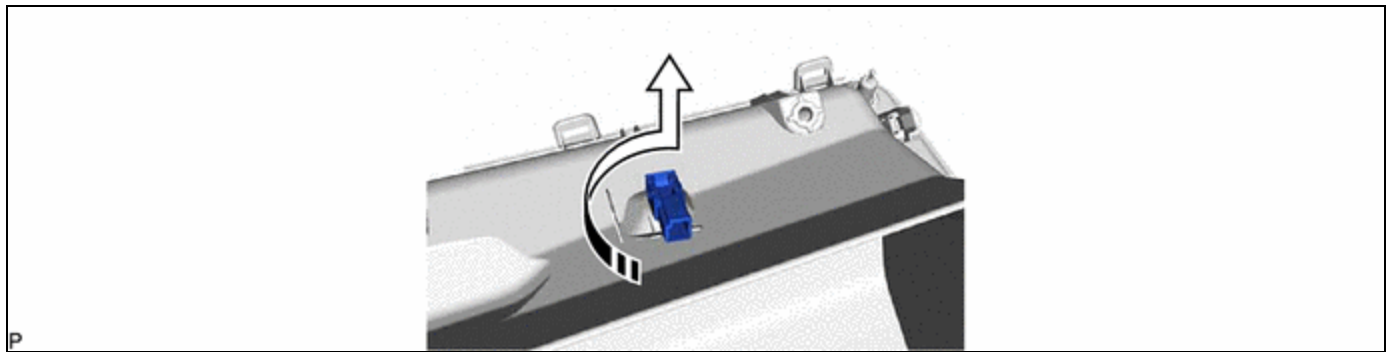
10. REMOVE GLOVE COMPARTMENT DOOR ASSEMBLY


	Click here INFO
---	---------------------------------

11. REMOVE LOWER INSTRUMENT PANEL SUB-ASSEMBLY

Click here [INFO](#)

12. REMOVE NO. 1 INTERIOR ILLUMINATION LIGHT ASSEMBLY



	Remove in this Direction	-	-
---	--------------------------	---	---

