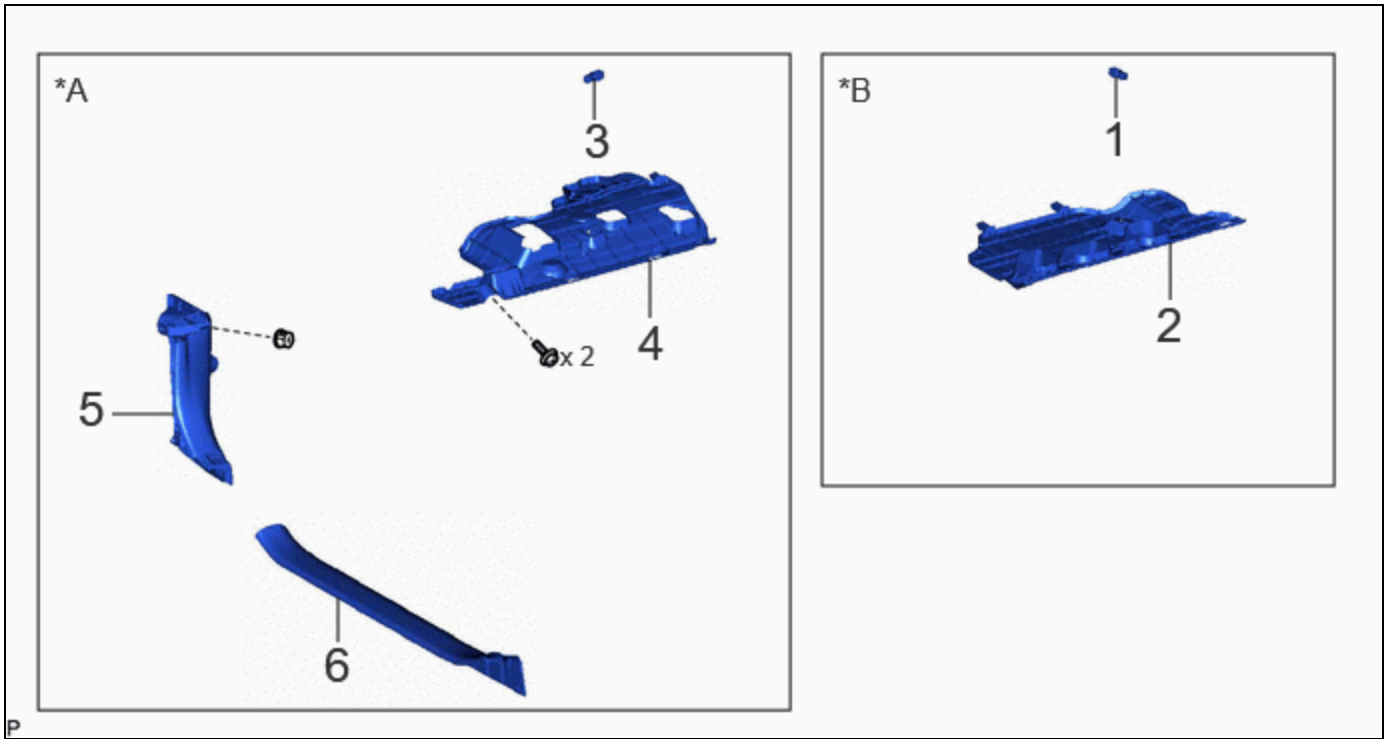


Last Modified: 12-04-2024	6.11:8.1.0	Doc ID: RM1000000029ZPR
Model Year Start: 2023	Model: Prius Prime	Prod Date Range: [12/2022 -]
Title: LIGHTING (INT): FOOTWELL LIGHT: INSTALLATION; 2023 - 2024 MY Prius Prius Prime [12/2022 -]		

INSTALLATION

CAUTION / NOTICE / HINT

COMPONENTS (INSTALLATION)



	PROCEDURE	PART NAME CODE			
1	NO. 2 INTERIOR ILLUMINATION LIGHT ASSEMBLY	81080V	-	-	-
2	NO. 2 INSTRUMENT PANEL UNDER COVER SUB-ASSEMBLY	55607	-	-	-
3	NO. 2 INTERIOR ILLUMINATION LIGHT ASSEMBLY	81080V	-	-	-
4	NO. 1 INSTRUMENT PANEL UNDER COVER SUB-ASSEMBLY	55606	-	-	-
5	COWL SIDE TRIM BOARD LH	62112	-	-	-
6	FRONT DOOR SCUFF PLATE LH	67914	-	-	-

*A	for Driver Side	*B	for Front Passenger Side
----	-----------------	----	--------------------------

PROCEDURE

1. INSTALL NO. 2 INTERIOR ILLUMINATION LIGHT ASSEMBLY (for Front Passenger Side)

- 2. INSTALL NO. 2 INSTRUMENT PANEL UNDER COVER SUB-ASSEMBLY (for Front Passenger Side)**
- 3. INSTALL NO. 2 INTERIOR ILLUMINATION LIGHT ASSEMBLY (for Driver Side)**
- 4. INSTALL NO. 1 INSTRUMENT PANEL UNDER COVER SUB-ASSEMBLY (for Driver Side)**
- 5. INSTALL COWL SIDE TRIM BOARD LH (for Driver Side)**
- 6. INSTALL FRONT DOOR SCUFF PLATE LH (for Driver Side)**

