

Last Modified: 12-04-2024	6.11:8.1.0	Doc ID: RM100000002BLJ8
Model Year Start: 2023	Model: Prius Prime	Prod Date Range: [03/2023 -]
Title: INTERIOR PANELS / TRIM: ROOF SUNSHADE: REMOVAL; 2023 - 2024 MY Prius Prius Prime [03/2023 -]		

REMOVAL

CAUTION / NOTICE / HINT

The necessary procedures (adjustment, calibration, initialization, or registration) that must be performed after parts are removed and installed, or replaced during sunshade housing assembly removal/installation are shown below.

Necessary Procedures After Parts Removed/Installed/Replaced

REPLACED PART OR PERFORMED PROCEDURE	NECESSARY PROCEDURE	EFFECT/INOPERATIVE FUNCTION WHEN NECESSARY PROCEDURE NOT PERFORMED	LINK
w/ Occupant Classification System: Front passenger seat*	Zero point calibration (Occupant classification system)	<ul style="list-style-type: none"> • Occupant Classification System • Passenger airbag ON/OFF indicator • Airbag System (Front passenger side) • Seat Belt Warning System (Front passenger) 	INFO

*: Even when not replacing the part, it is necessary to perform the specified necessary procedures after installation.

CAUTION:

Be sure to read Precaution thoroughly before servicing.



[Click here](#) [INFO](#)

NOTICE:

After the ignition switch is turned off, there may be a waiting time before disconnecting the negative (-) auxiliary battery terminal.

[Click here](#) [INFO](#)

HINT:

When the cable is disconnected / reconnected to the auxiliary battery terminal, systems temporarily stop operating. However, each system has a function that completes learning the first time the system is used.

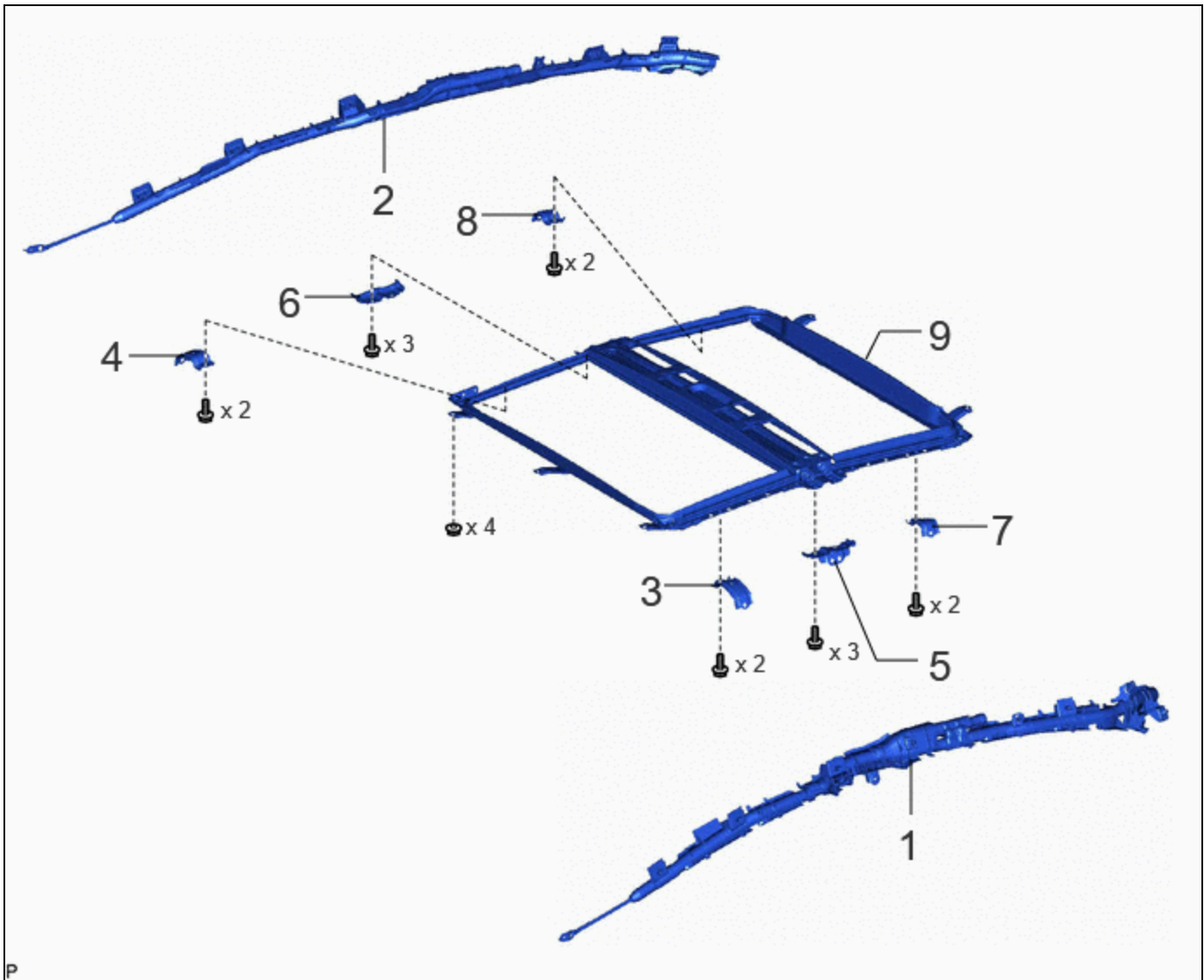
Learning completes when vehicle is driven




EFFECT/INOPERATIVE FUNCTION WHEN NECESSARY PROCEDURES ARE NOT PERFORMED	NECESSARY PROCEDURES	LINK
Front Camera System	Drive the vehicle straight ahead at 35 km/h (22 mph) or more for 5 seconds or more.	INFO

EFFECT/INOPERATIVE FUNCTION WHEN NECESSARY PROCEDURES ARE NOT PERFORMED	NECESSARY PROCEDURES	LINK
Power Door Lock Control System*1 <ul style="list-style-type: none"> • Back door opener 	Perform door unlock operation with door control switch or electrical key transmitter sub-assembly switch.	INFO
Power Back Door System*2	Reset back door close position	INFO
Air Conditioning System	<p>for HEV Model:</p> <p>After the ignition switch is turned to ON, the servo motor standard position is recognized.</p> <p>for PHEV Model:</p> <p>After the ignition switch is turned to ON, the servo motor and expansion valve standard position is recognized.</p>	-
<p>*1: w/o Power Back Door System</p> <p>*2: w/ Power Back Door System</p>		

CAUTION / NOTICE / HINT

COMPONENTS (REMOVAL)



PROCEDURE		PART NAME CODE			
1	CURTAIN SHIELD AIRBAG ASSEMBLY LH	62180A	-	-	-
2	CURTAIN SHIELD AIRBAG ASSEMBLY RH	62170A	-	-	-
3	FRONT SLIDING ROOF HOUSING MOUNTING BRACKET LH	-	-	-	-
4	FRONT SLIDING ROOF HOUSING MOUNTING BRACKET RH	-	-	-	-
5	CENTER SLIDING ROOF HOUSING MOUNTING BRACKET LH	-	-	-	-
6	CENTER SLIDING ROOF HOUSING MOUNTING BRACKET RH	-	-	-	-
7	REAR SLIDING ROOF HOUSING MOUNTING BRACKET LH	-	-	-	-
8	REAR SLIDING ROOF HOUSING MOUNTING BRACKET RH	-	-	-	-
9	SUNSHADE HOUSING ASSEMBLY	63250H	-	-	-

PROCEDURE

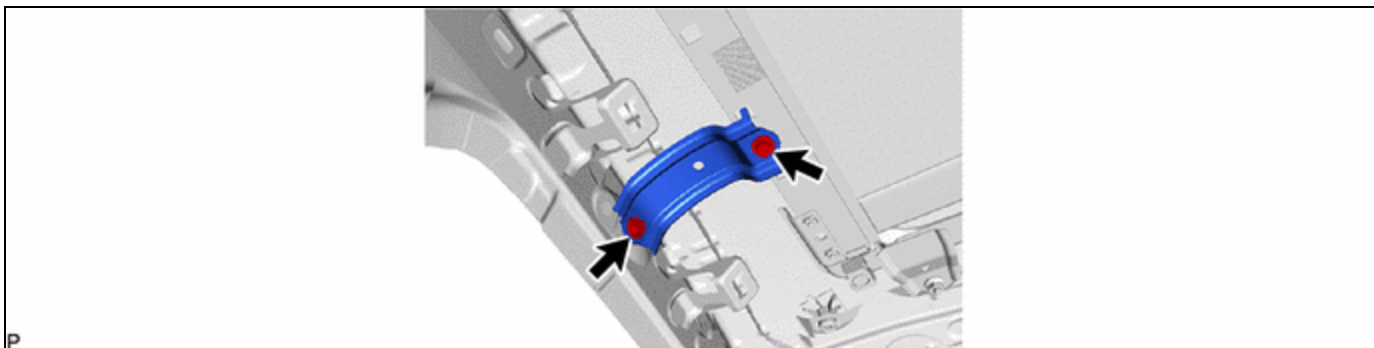
1. REMOVE CURTAIN SHIELD AIRBAG ASSEMBLY LH

Click here [INFO](#)

2. REMOVE CURTAIN SHIELD AIRBAG ASSEMBLY RH

(a) Use the same procedure as for the LH side.

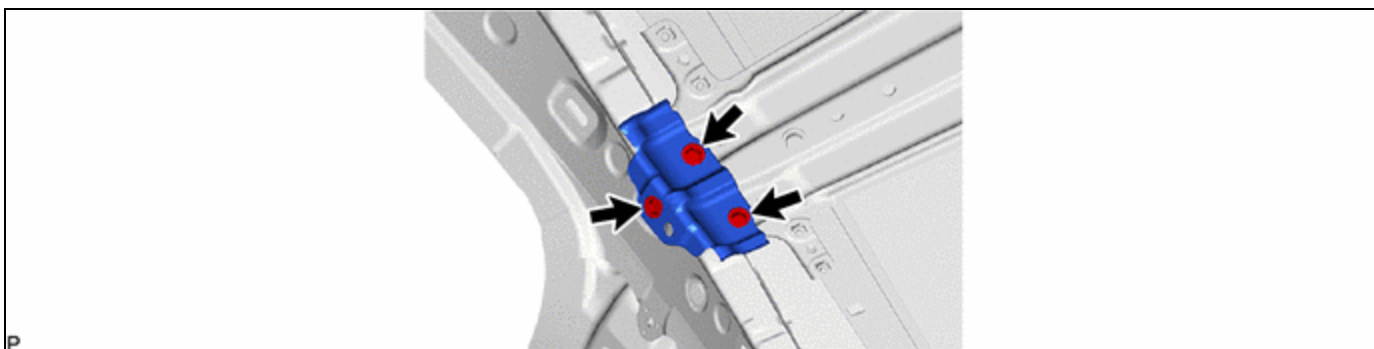
3. REMOVE FRONT SLIDING ROOF HOUSING MOUNTING BRACKET LH



4. REMOVE FRONT SLIDING ROOF HOUSING MOUNTING BRACKET RH

(a) Use the same procedure as for the LH side.

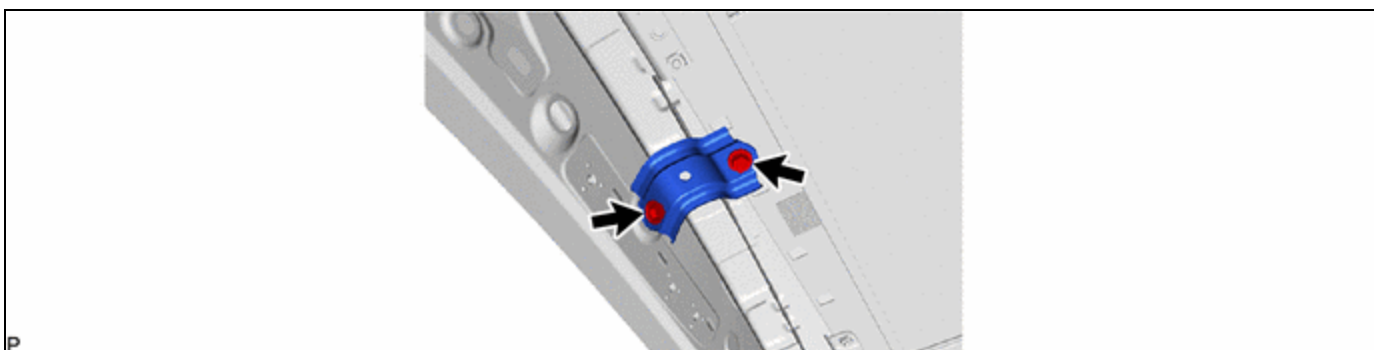
5. REMOVE CENTER SLIDING ROOF HOUSING MOUNTING BRACKET LH



6. REMOVE CENTER SLIDING ROOF HOUSING MOUNTING BRACKET RH

(a) Use the same procedure as for the LH side.

7. REMOVE REAR SLIDING ROOF HOUSING MOUNTING BRACKET LH



8. REMOVE REAR SLIDING ROOF HOUSING MOUNTING BRACKET RH

(a) Use the same procedure as for the LH side.

9. REMOVE SUNSHADE HOUSING ASSEMBLY

