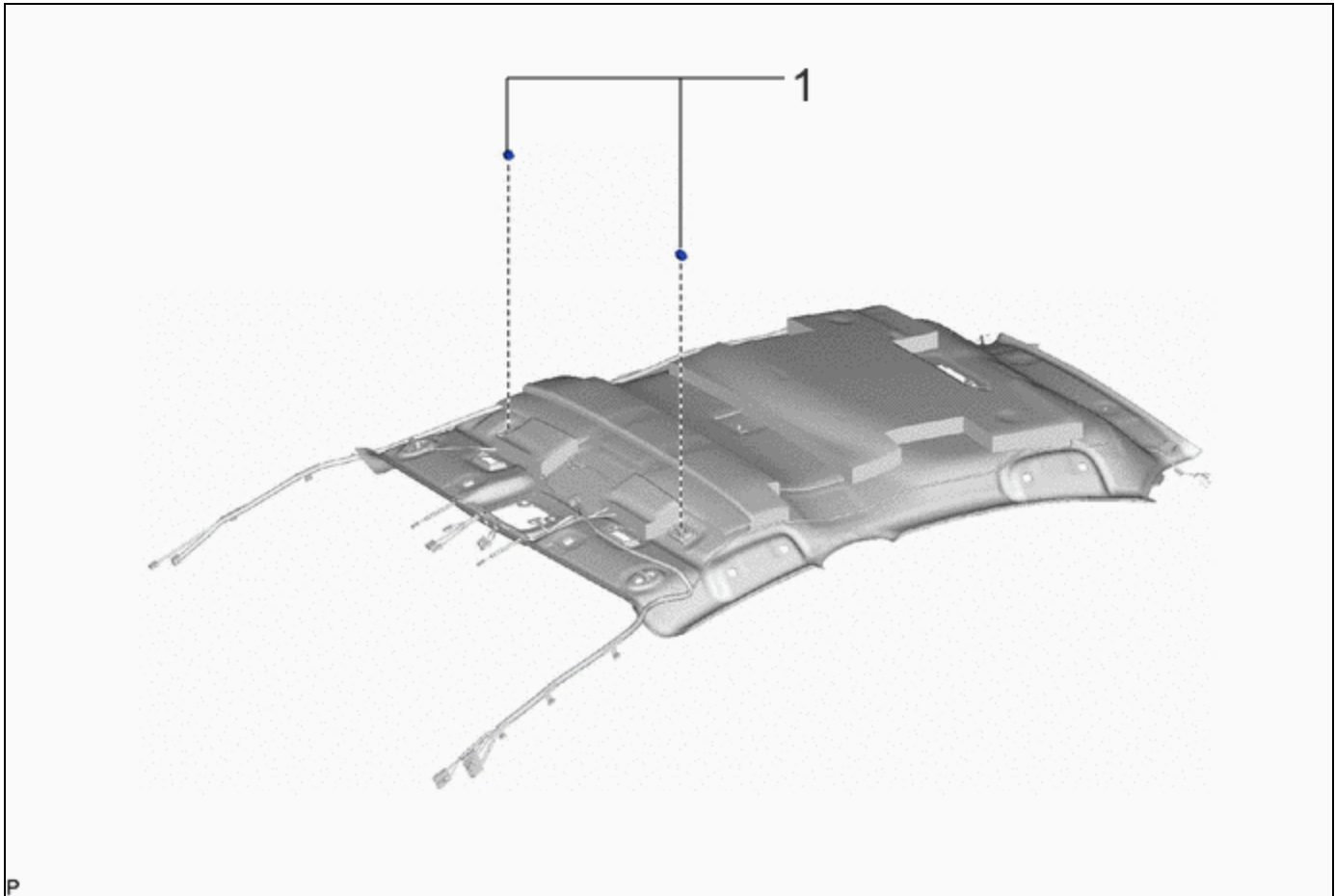


Last Modified: 12-04-2024	6.11:8.1.0	Doc ID: RM1000000029SDC
Model Year Start: 2023	Model: Prius Prime	Prod Date Range: [12/2022 -]
Title: INTERIOR PANELS / TRIM: ROOF HEADLINING: DISASSEMBLY; 2023 - 2024 MY Prius Prius Prime [12/2022 -]		

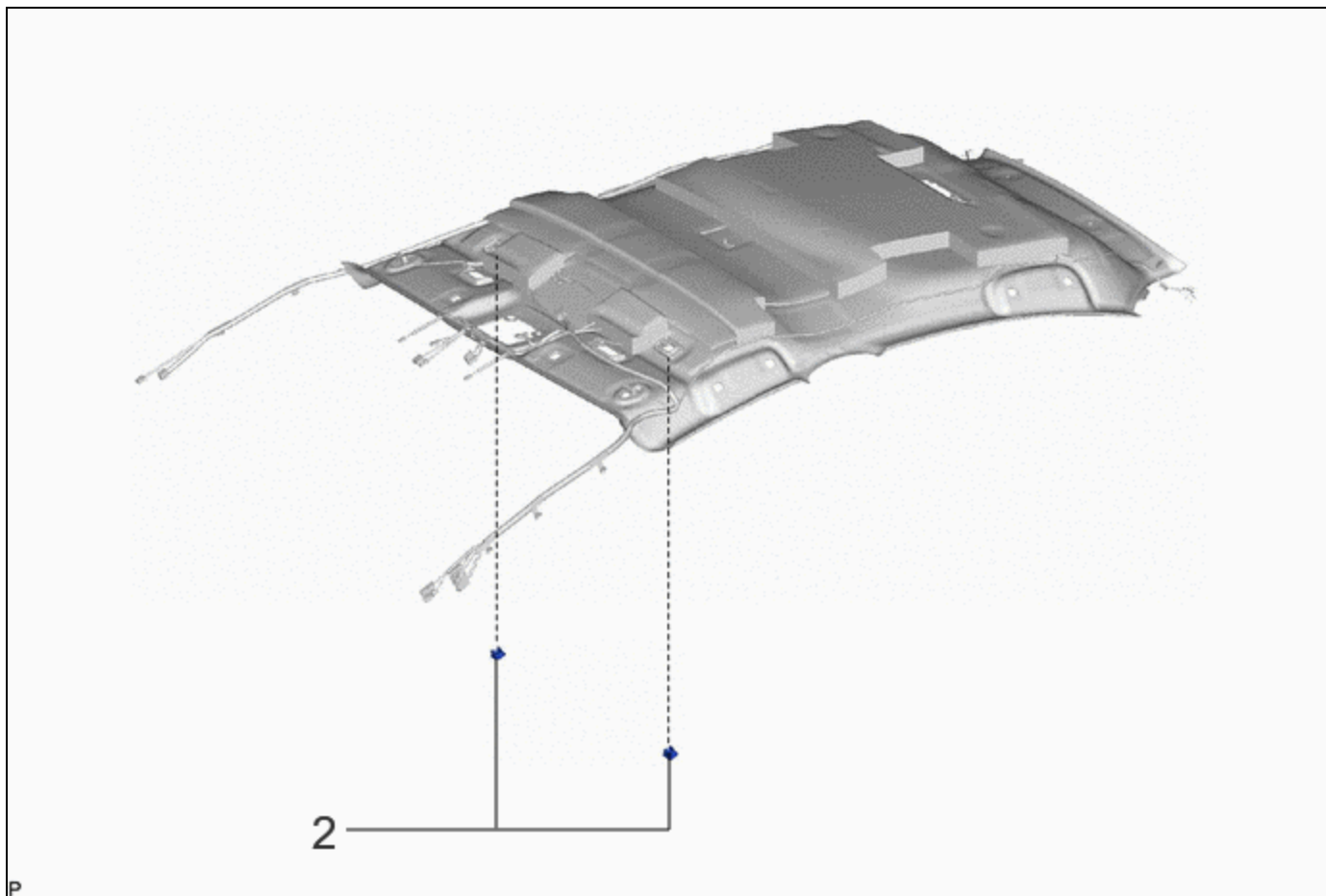
DISASSEMBLY




CAUTION / NOTICE / HINT

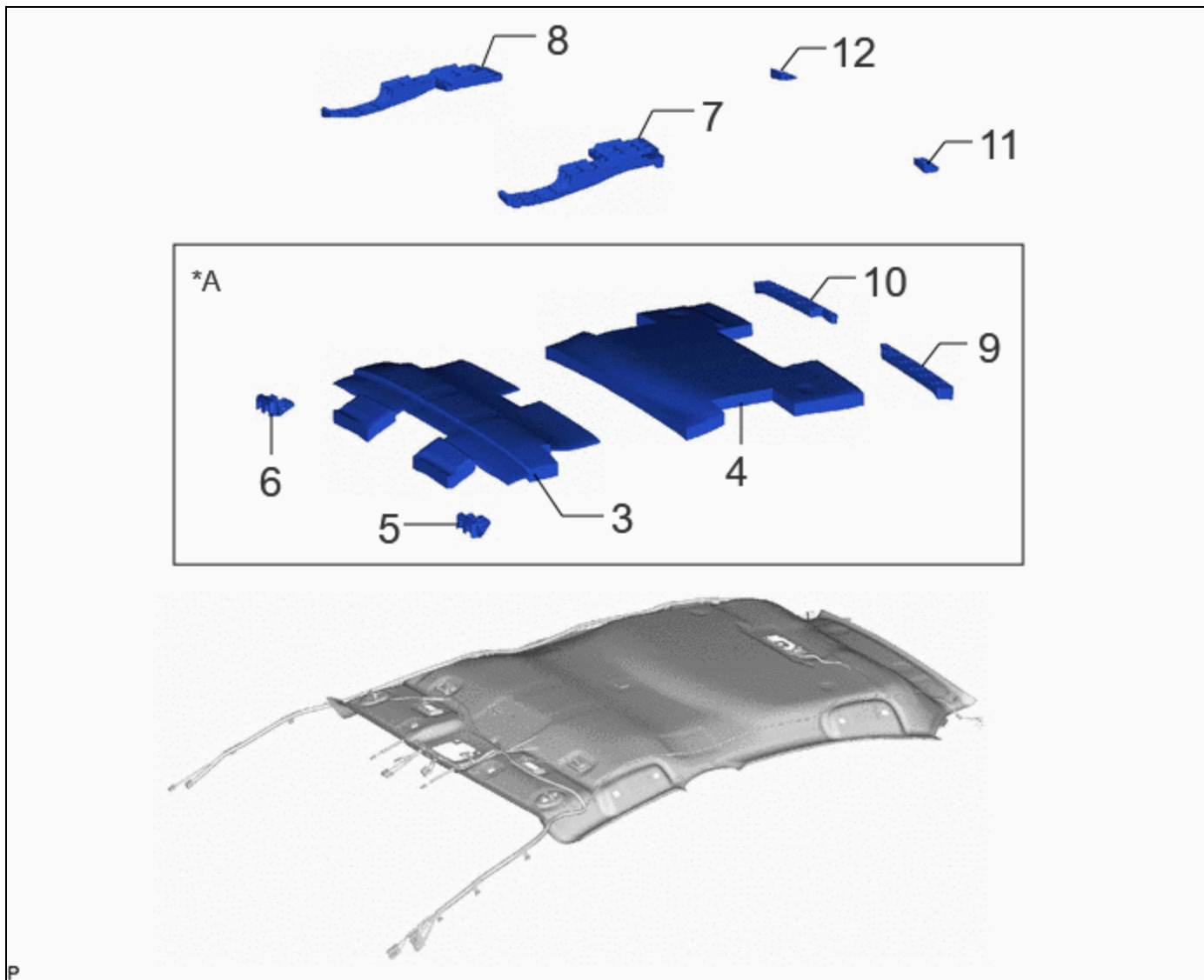
COMPONENTS (DISASSEMBLY)






PROCEDURE		PART NAME CODE			
1	TELEPHONE MICROPHONE ASSEMBLY	86730A	-	-	-

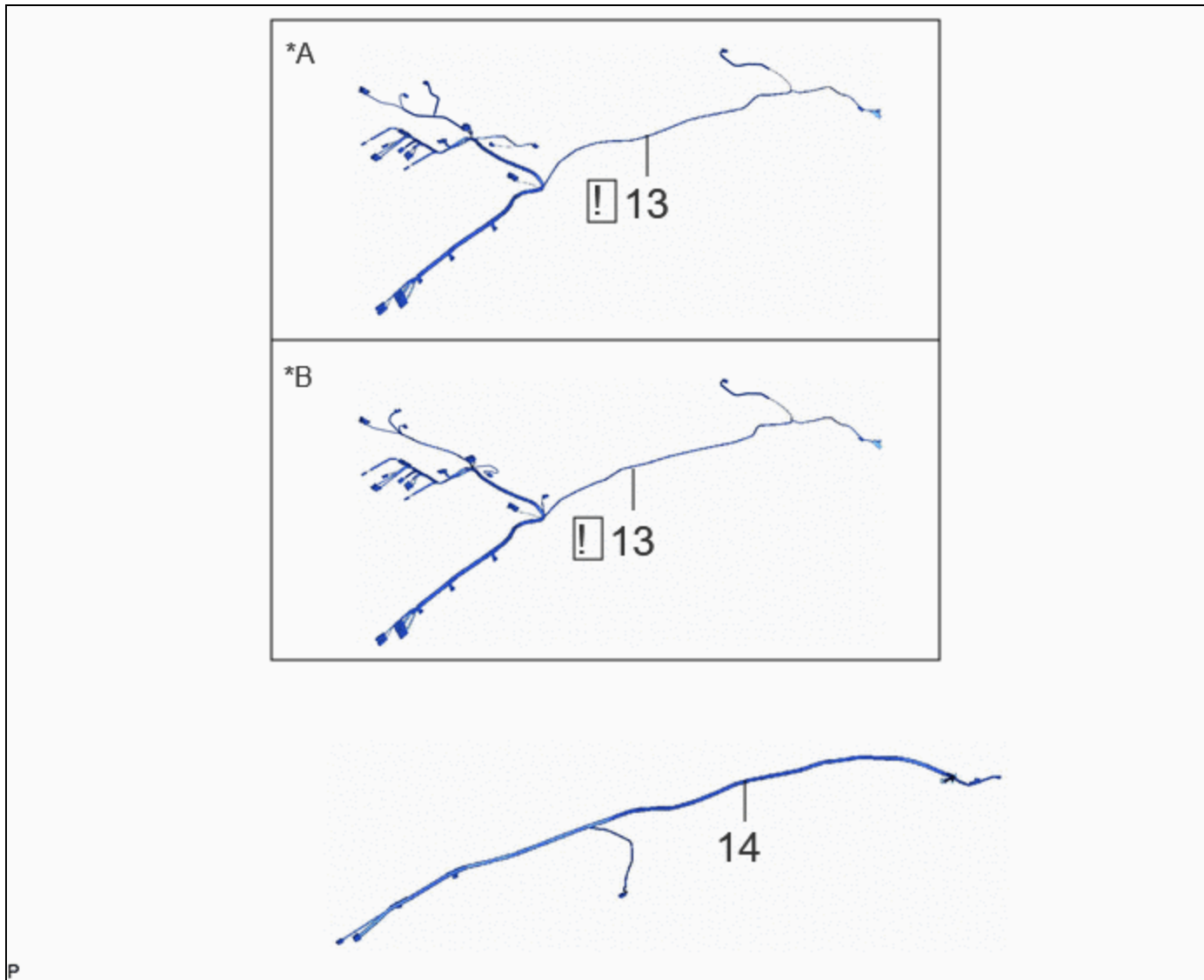


PROCEDURE	PART NAME CODE			
2 MICROPHONE CASE	86255F	-	-	-



PROCEDURE		PART NAME CODE			
3	NO. 1 ROOF SILENCER PAD	63341	-	-	-
4	NO. 2 ROOF SILENCER PAD	63342	-	-	-
5	FRONT SIDE RAIL SPACER LH	66423	-	-	-
6	FRONT SIDE RAIL SPACER RH	66413B	-	-	-
7	NO. 2 ROOF HEADLINING SET PLATE LH	63368B	-	-	-
8	NO. 2 ROOF HEADLINING SET PLATE RH	63367B	-	-	-
9	NO. 2 ROOF HEADLINING PAD	63352D	-	-	-
10	ROOF HEADLINING PAD	63351B	-	-	-
11	ROOF HEADLINING PAD LH	63356B	-	-	-
12	ROOF HEADLINING PAD RH	63355C	-	-	-

*A	for Normal Roof	-	-
----	-----------------	---	---



PROCEDURE		PART NAME CODE			
13	NO. 1 ROOF WIRE	82171	INFO	-	-
14	NO. 3 ANTENNA CORD SUB-ASSEMBLY	86101D	-	-	-

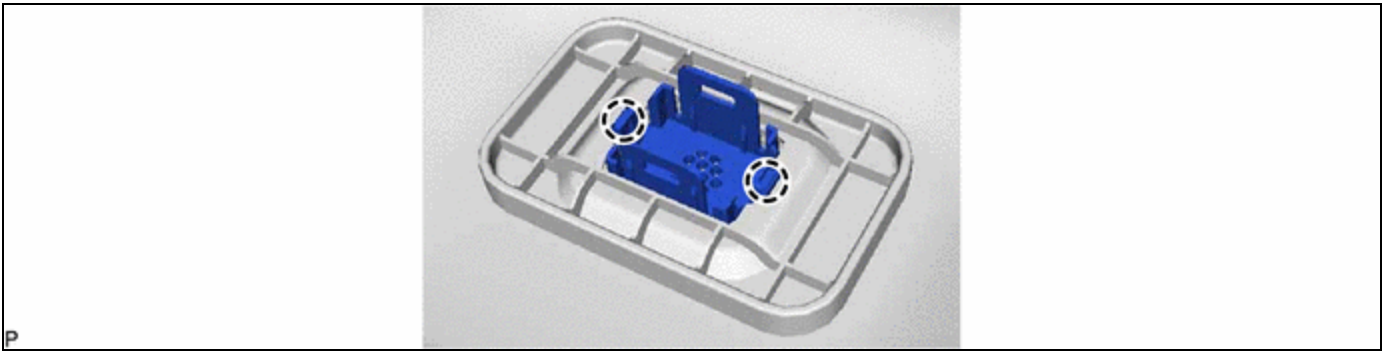
*A	for Normal Roof	*B	for Panoramic Moon Roof
----	-----------------	----	-------------------------

PROCEDURE

1. REMOVE TELEPHONE MICROPHONE ASSEMBLY

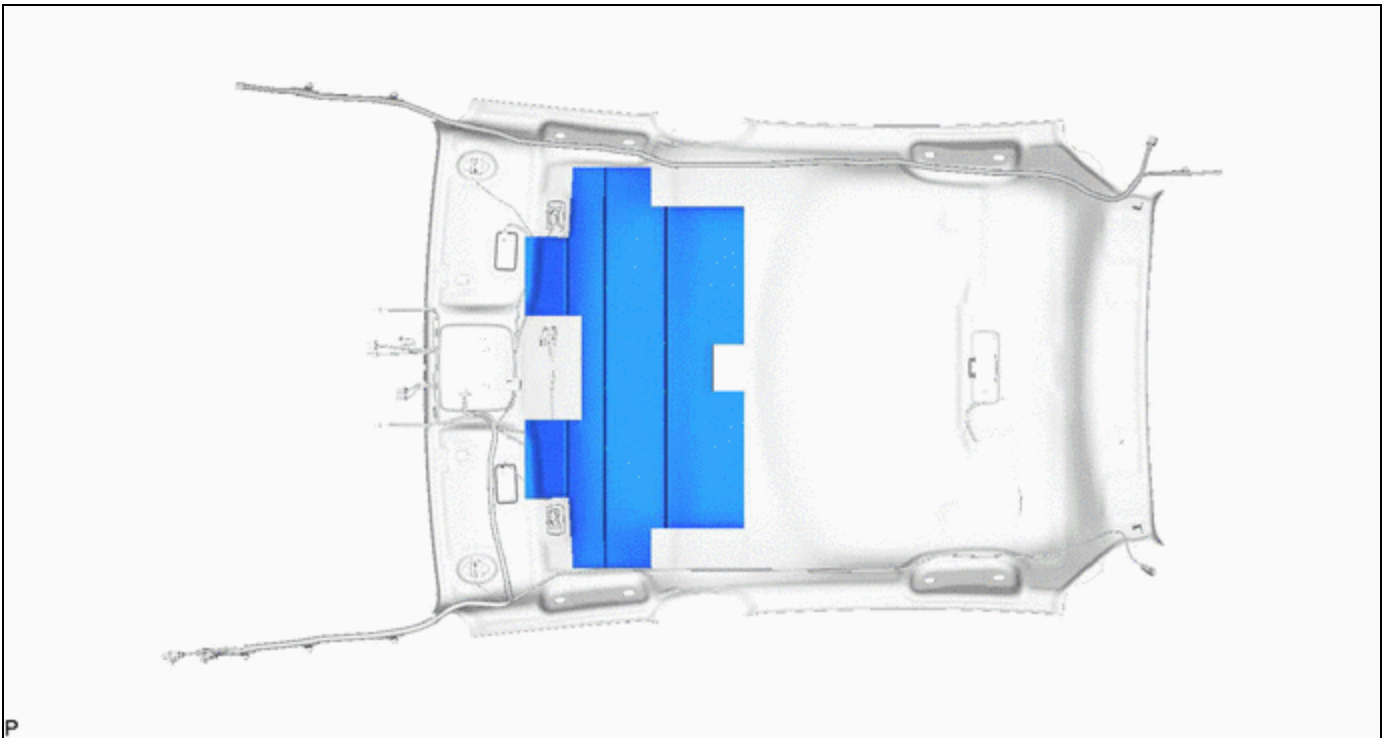
Click here [INFO](#)

2. REMOVE MICROPHONE CASE

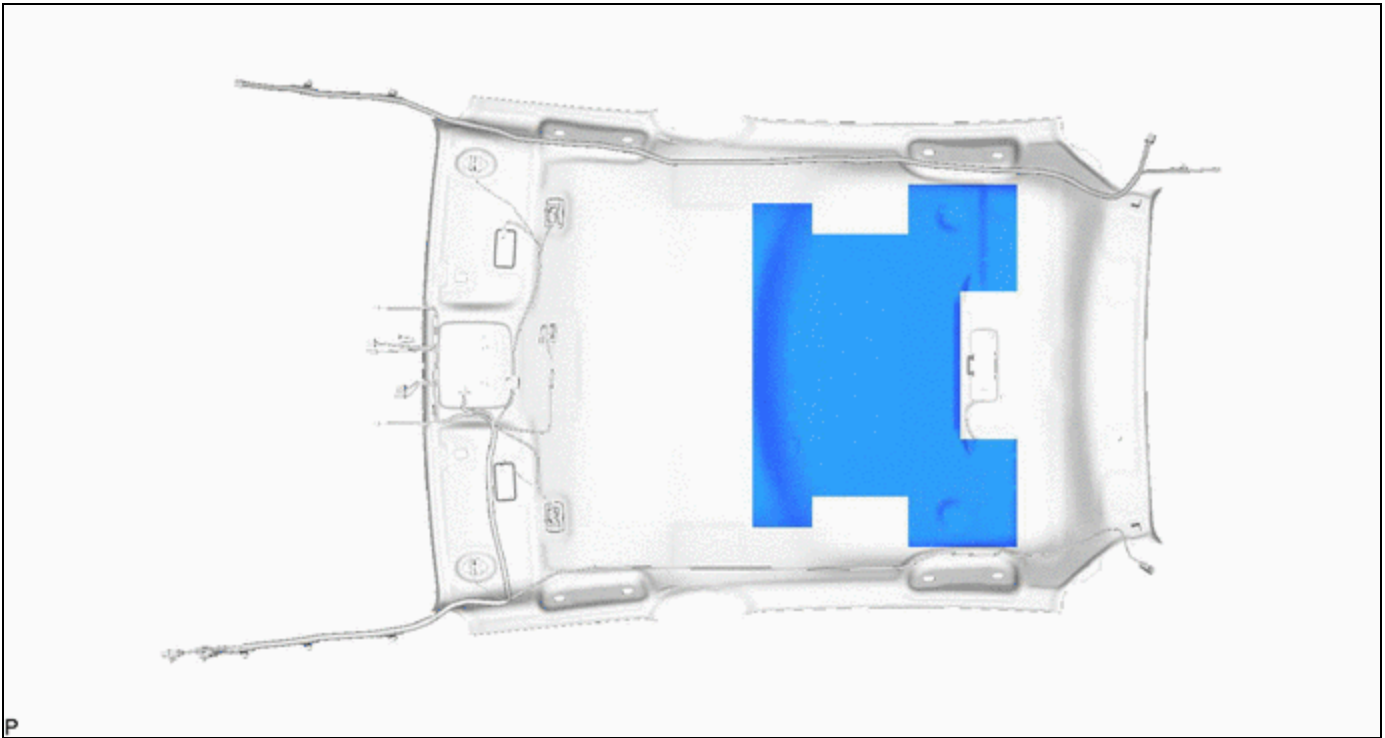


(b) Use the same procedure for all microphone cases.

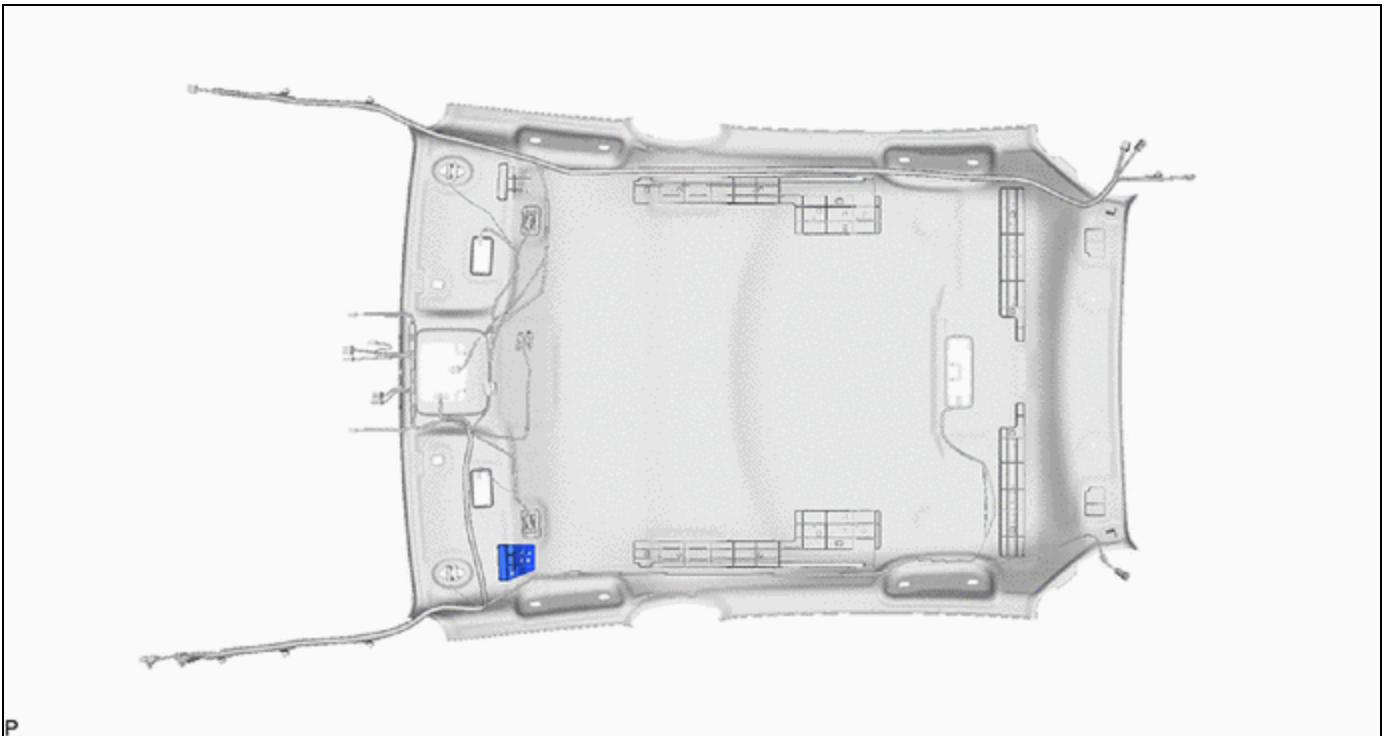
3. REMOVE NO. 1 ROOF SILENCER PAD (for Normal Roof)



4. REMOVE NO. 2 ROOF SILENCER PAD (for Normal Roof)



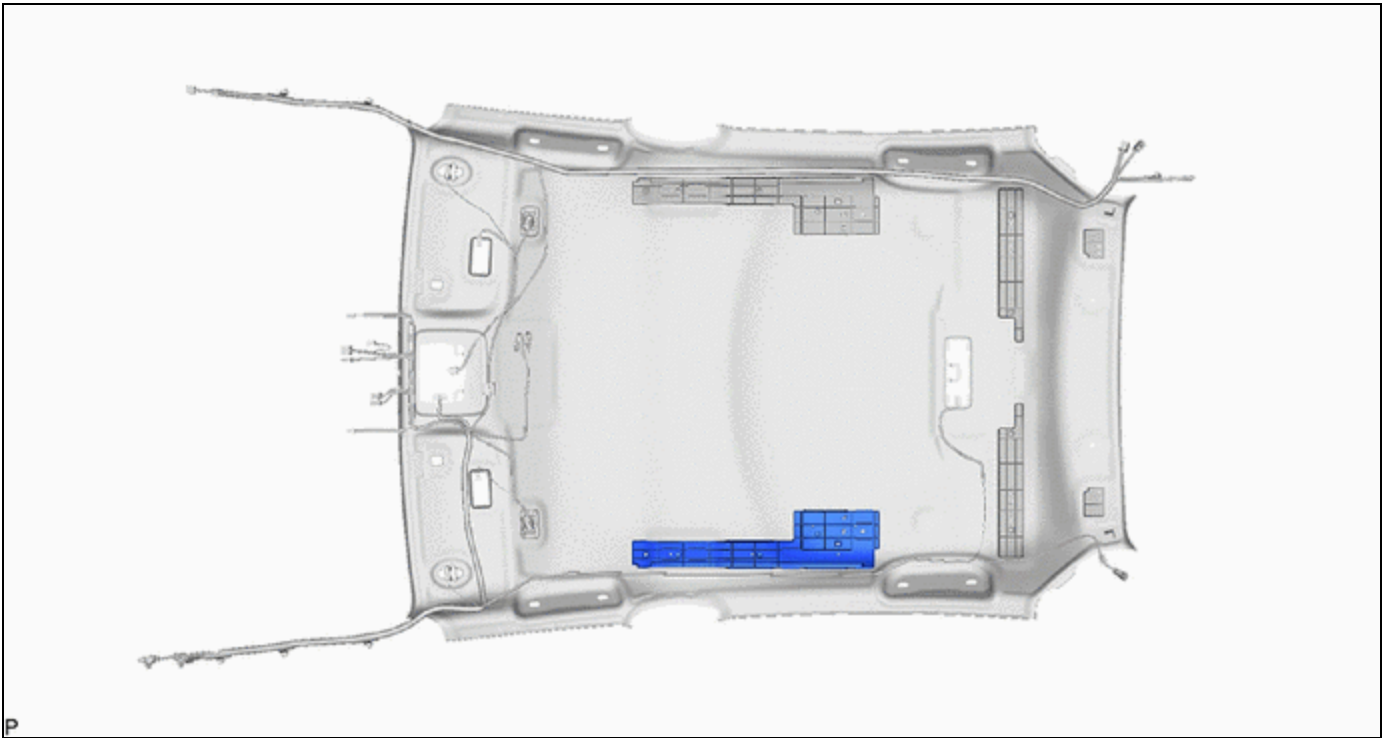
5. REMOVE FRONT SIDE RAIL SPACER LH (for Normal Roof)



6. REMOVE FRONT SIDE RAIL SPACER RH (for Normal Roof)

(a) Use the same procedure as for the LH side.

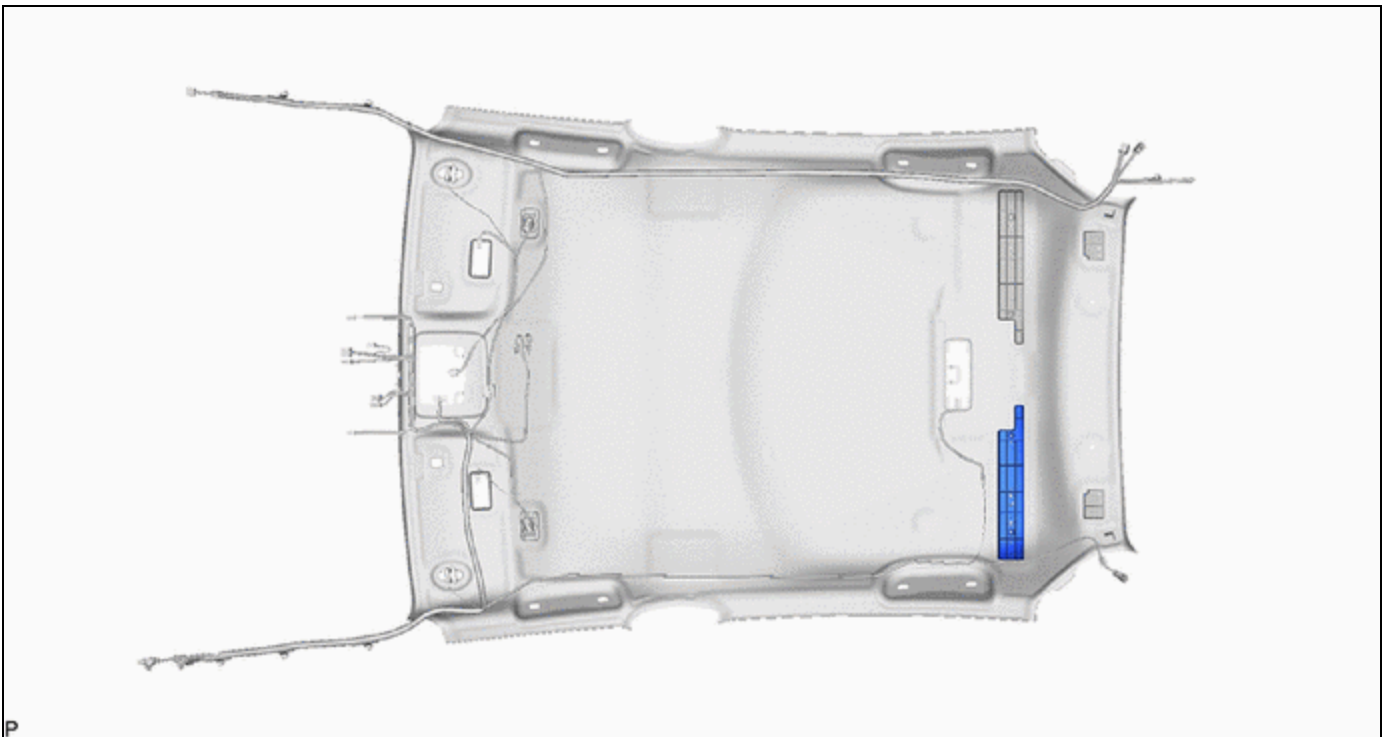
7. REMOVE NO. 2 ROOF HEADLINING SET PLATE LH



8. REMOVE NO. 2 ROOF HEADLINING SET PLATE RH

(a) Use the same procedure as for the LH side.

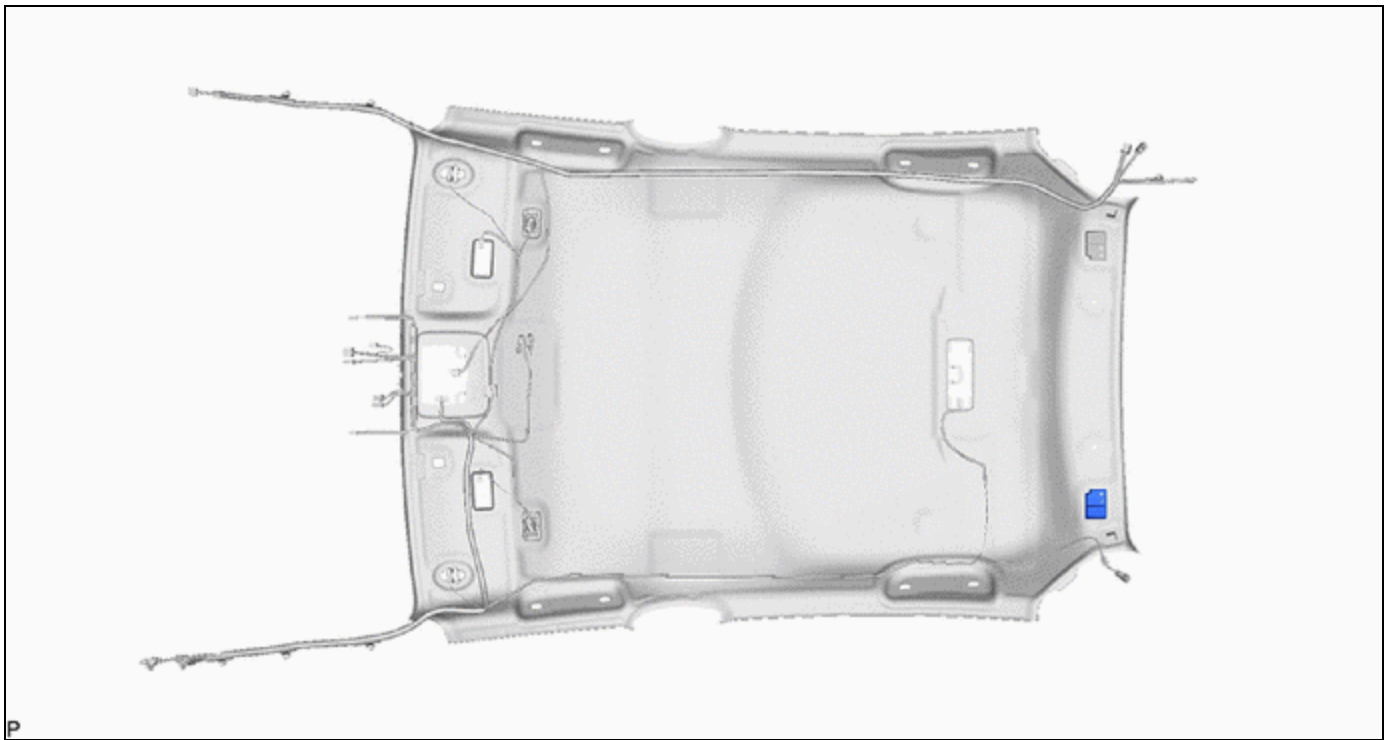
9. REMOVE NO. 2 ROOF HEADLINING PAD (for Normal Roof)



10. REMOVE ROOF HEADLINING PAD (for Normal Roof)

(a) Use the same procedure as for the No. 2 roof headlining pad.

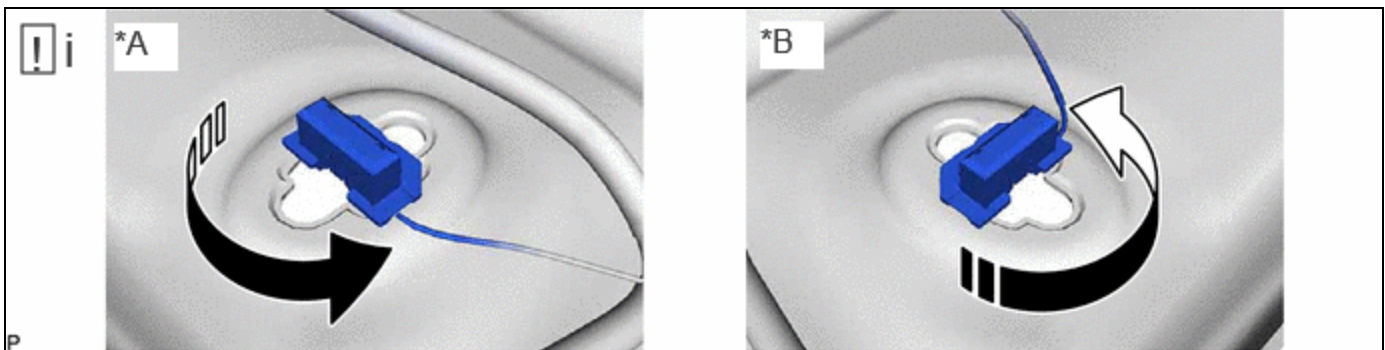
11. REMOVE ROOF HEADLINING PAD LH



12. REMOVE ROOF HEADLINING PAD RH

(a) Use the same procedure as for the LH side.

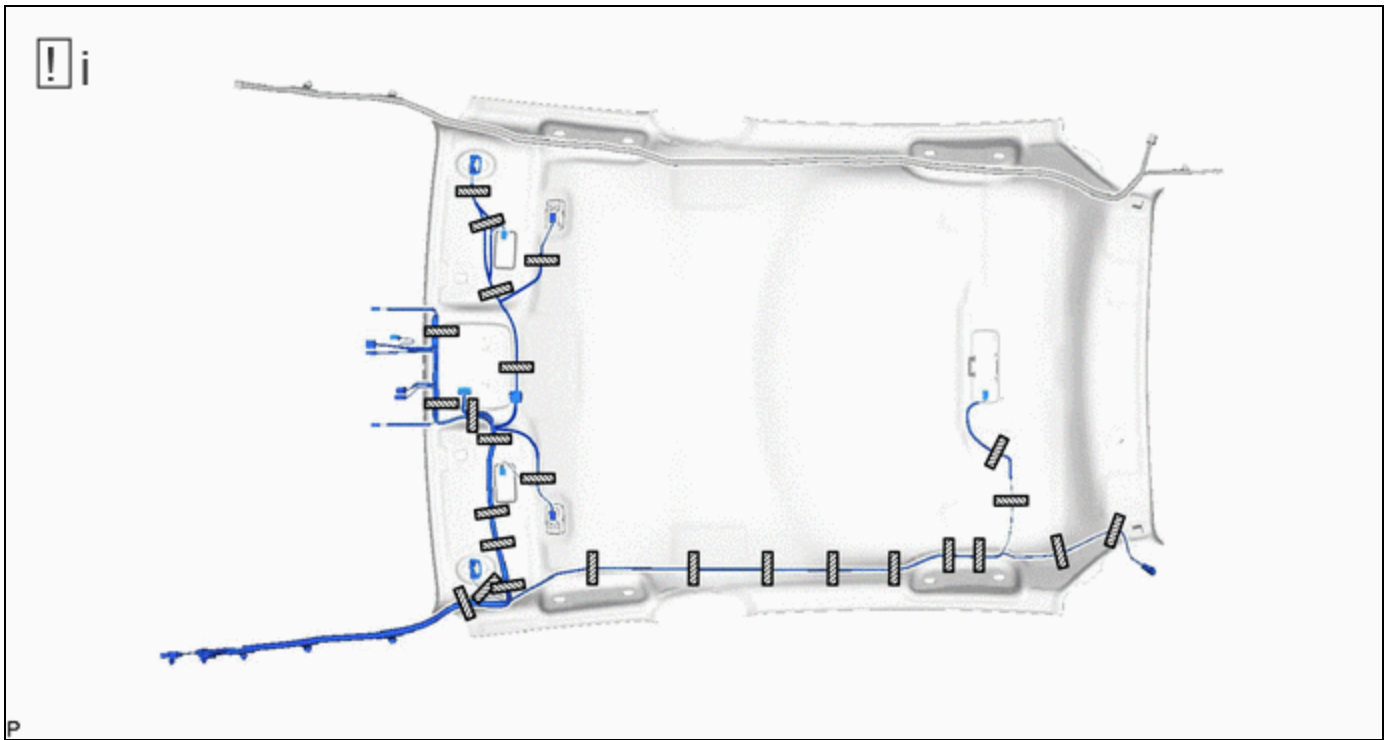
13. REMOVE NO. 1 ROOF WIRE



*A	for LH side	*B	for RH side
	Rotation Direction	-	-

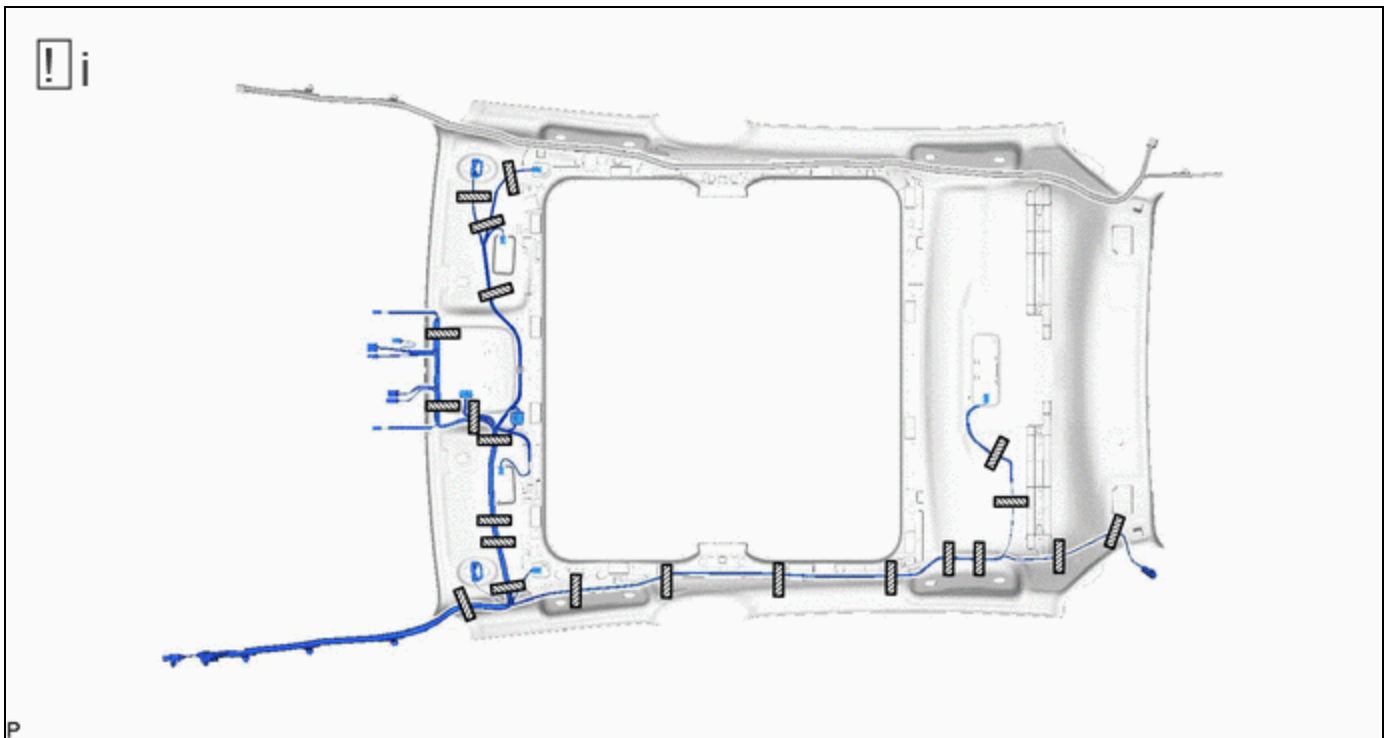
(1) Turn the 2 visor connectors approximately 90° counterclockwise and remove them from the roof headlining assembly.

(b) for Normal Roof:



(1) Remove the adhesive tape and No. 1 roof wire from the roof headlining assembly.

(c) for Panoramic Moon Roof:



(1) Remove the adhesive tape and No. 1 roof wire from the roof headlining assembly.

14. REMOVE NO. 3 ANTENNA CORD SUB-ASSEMBLY

Click here [INFO](#)

