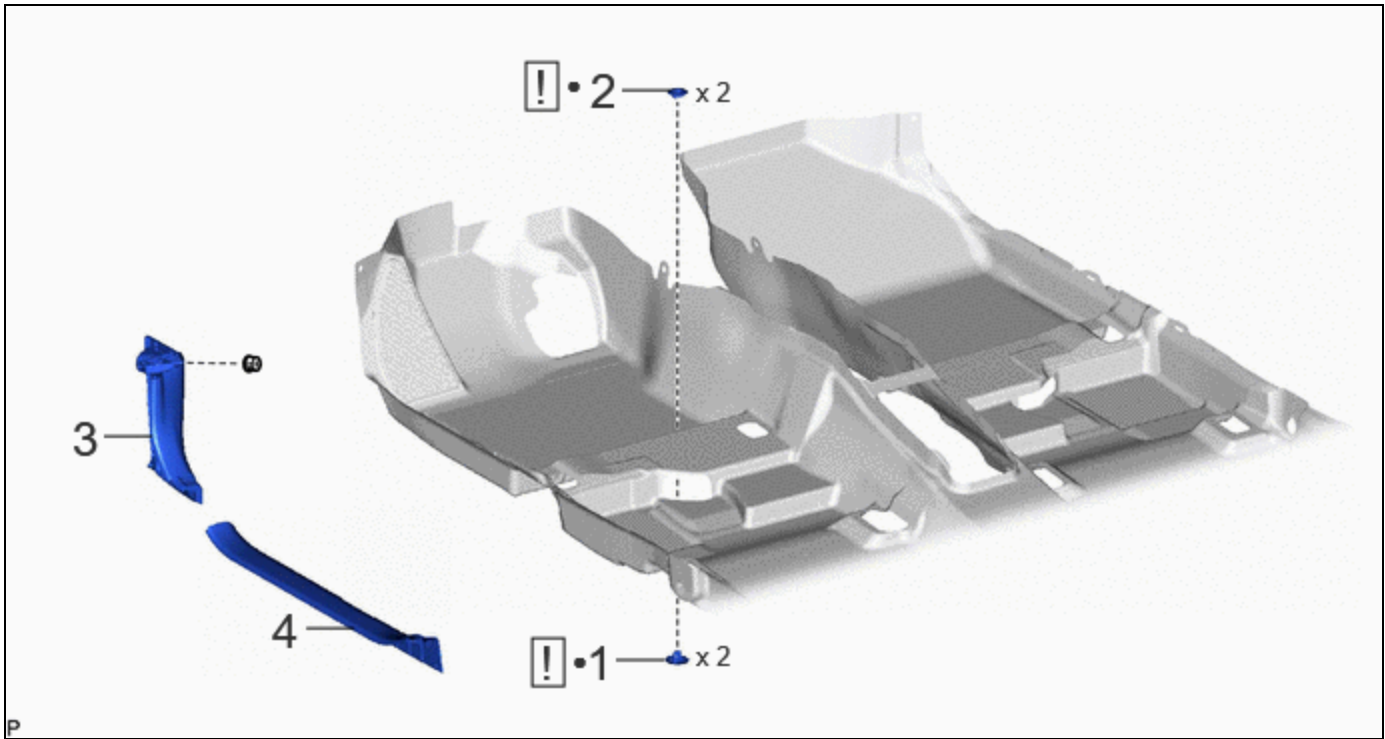


Last Modified: 12-04-2024	6.11:8.1.0	Doc ID: RM100000002EVXU
Model Year Start: 2024	Model: Prius Prime	Prod Date Range: [09/2023 -]
Title: INTERIOR PANELS / TRIM: MAT SET PLATE: INSTALLATION; 2024 MY Prius Prius Prime [09/2023 -]		

INSTALLATION

CAUTION / NOTICE / HINT

COMPONENTS (INSTALLATION)




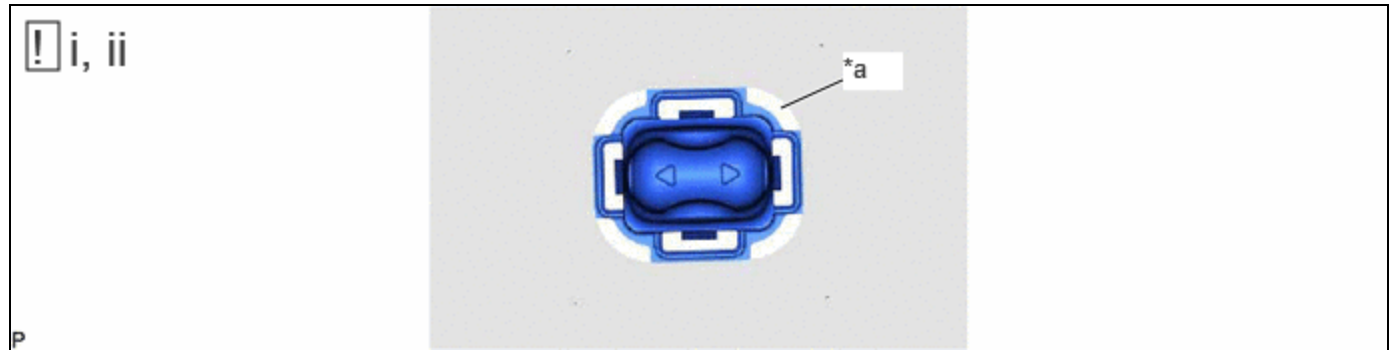
PROCEDURE		PART NAME CODE			
1	MAT SET LOWER PLATE	58698C	INFO	-	-
2	MAT SET UPPER PLATE	58694B	INFO	-	-
3	COWL SIDE TRIM BOARD LH	62112	-	-	-
4	FRONT DOOR SCUFF PLATE LH	67914	-	-	-

•	Non-reusable part	-	-
---	-------------------	---	---

PROCEDURE

1. INSTALL MAT SET LOWER PLATE

	<p>NOTICE:</p> <ul style="list-style-type: none"> • If the mat set plate mounting holes of the front floor carpet assembly are damaged or deformed, replace the front floor carpet assembly. • Do not remove the reinforcements on the back of the mat set plate mounting holes of the front floor carpet assembly.
---	--



*a	Mounting Hole	-	-
----	---------------	---	---


(1) Temporarily install the new mat set lower plate to the front floor carpet assembly.

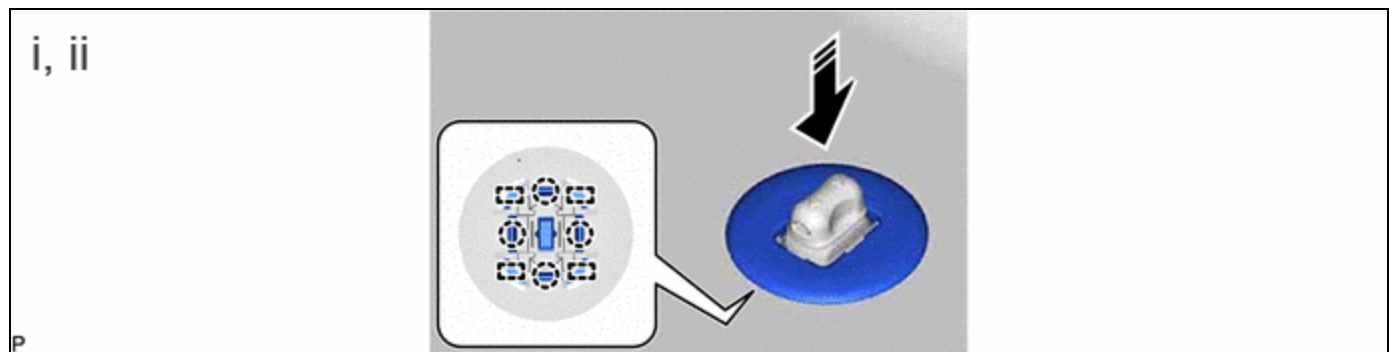
NOTICE:


Align the new mat set lower plate to the mat set plate mounting holes of the front floor carpet assembly.

(2) Use the same procedure for all mat set lower plates.

2. INSTALL MAT SET UPPER PLATE

	<p>NOTICE:</p> <ul style="list-style-type: none"> • If the mat set plate mounting holes of the front floor carpet assembly are damaged or deformed, replace the front floor carpet assembly. • Do not remove the reinforcements on the back of the mat set plate mounting holes of the front floor carpet assembly.
---	--



	Install in this Direction	-	-
---	---------------------------	---	---

(1) Engage the 4 guides and 4 claws to install the new mat set upper plate to the new mat set lower plate and front floor carpet assembly as shown in the illustration.

(2) Use the same procedure for all mat set upper plates.

3. INSTALL COWL SIDE TRIM BOARD LH

4. INSTALL FRONT DOOR SCUFF PLATE LH

