

<b>Last Modified:</b> 12-04-2024	6.11:8.1.0	<b>Doc ID:</b> RM100000002B1EK
<b>Model Year Start:</b> 2023	<b>Model:</b> Prius Prime	<b>Prod Date Range:</b> [03/2023 - ]
<b>Title:</b> INTERIOR PANELS / TRIM: FLOOR CARPET: REMOVAL; 2023 - 2024 MY Prius Prius Prime [03/2023 - ]		

## REMOVAL

### CAUTION / NOTICE / HINT

The necessary procedures (adjustment, calibration, initialization or registration) that must be performed after parts are removed and installed, or replaced during front floor carpet assembly removal/installation are shown below.

#### Necessary Procedures After Parts Removed/Installed/Replaced

REPLACED PART OR PERFORMED PROCEDURE	NECESSARY PROCEDURE	EFFECT/INOPERATIVE FUNCTION WHEN NECESSARY PROCEDURE NOT PERFORMED	LINK
<b>w/ Occupant Classification System:</b>  Front passenger seat*	Zero point calibration (Occupant classification system)	<ul style="list-style-type: none"> <li>• Occupant Classification System</li> <li>• Passenger airbag ON/OFF indicator</li> <li>• Airbag System (Front passenger side)</li> <li>• Seat Belt Warning System (Front passenger)</li> </ul>	<a href="#">INFO</a>

\*: Even when not replacing the part, it is necessary to perform the specified necessary procedures after installation.

**CAUTION:**

Be sure to read Precaution thoroughly before servicing.



[Click here](#) [INFO](#)

**NOTICE:**

After the ignition switch is turned off, there may be a waiting time before disconnecting the negative (-) auxiliary battery terminal.

[Click here](#) [INFO](#)

**HINT:**

When the cable is disconnected / reconnected to the auxiliary battery terminal, systems temporarily stop operating. However, each system has a function that completes learning the first time the system is used.

**Learning completes when vehicle is driven**

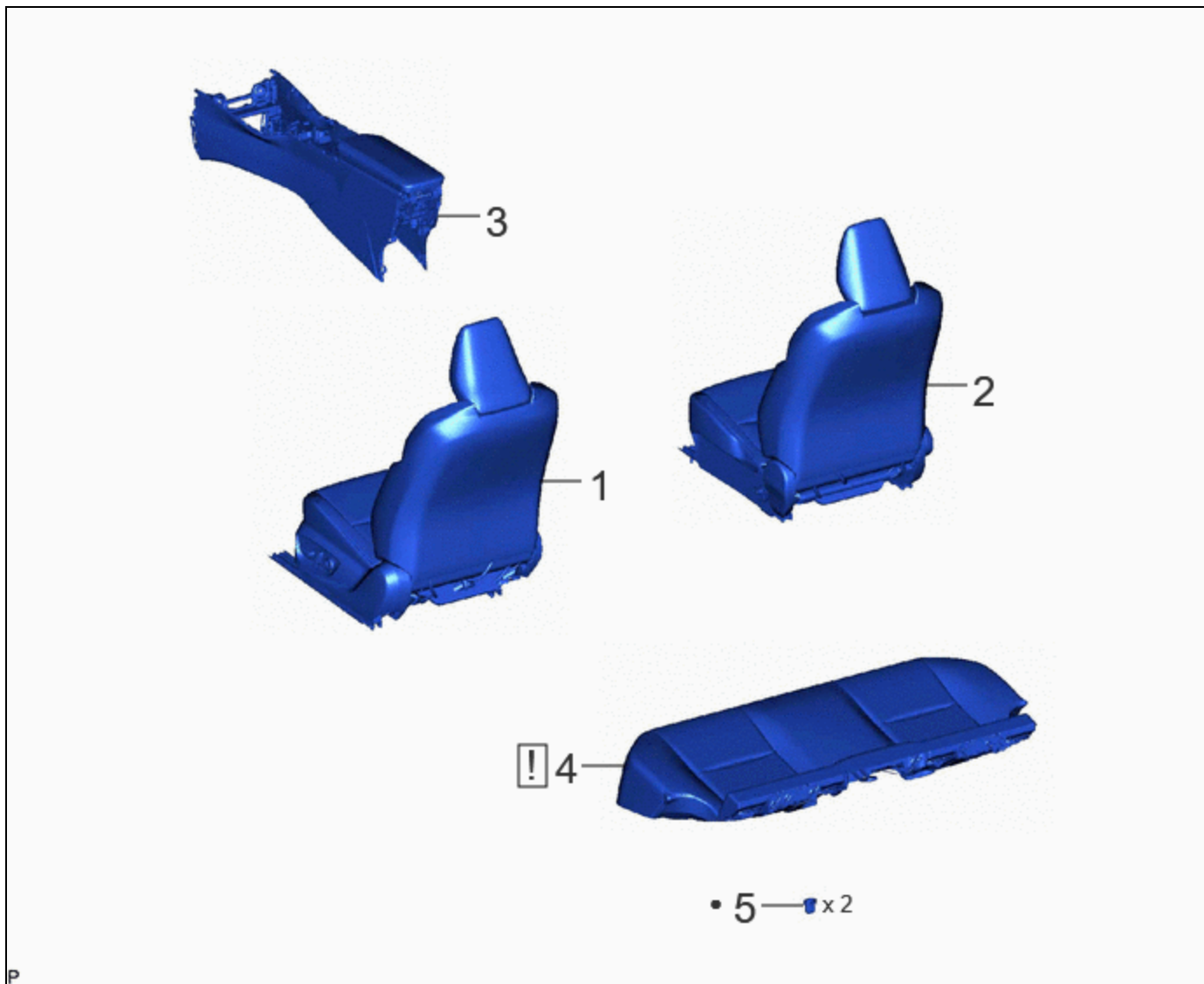
EFFECT/INOPERATIVE FUNCTION WHEN NECESSARY PROCEDURES ARE NOT PERFORMED	NECESSARY PROCEDURES	LINK
Front Camera System	Drive the vehicle straight ahead at 35 km/h (22 mph) or more for 5 seconds or more.	<a href="#">INFO</a>




### Learning completes when vehicle is operated normally

EFFECT/INOPERATIVE FUNCTION WHEN NECESSARY PROCEDURES ARE NOT PERFORMED	NECESSARY PROCEDURES	LINK
Power Door Lock Control System*1 <ul style="list-style-type: none"> <li>• <a href="#">Back door opener</a></li> </ul>	Perform door unlock operation with door control switch or electrical key transmitter sub-assembly switch.	<a href="#">INFO</a>
Power Back Door System*2	Reset back door close position	<a href="#">INFO</a>
Air Conditioning System	<p><b>for HEV Model:</b></p> <p>After the ignition switch is turned to ON, the servo motor standard position is recognized.</p> <p><b>for PHEV Model:</b></p> <p>After the ignition switch is turned to ON, the servo motor and expansion valve standard position is recognized.</p>	-
<p>*1: w/o Power Back Door System</p> <p>*2: w/ Power Back Door System</p>		

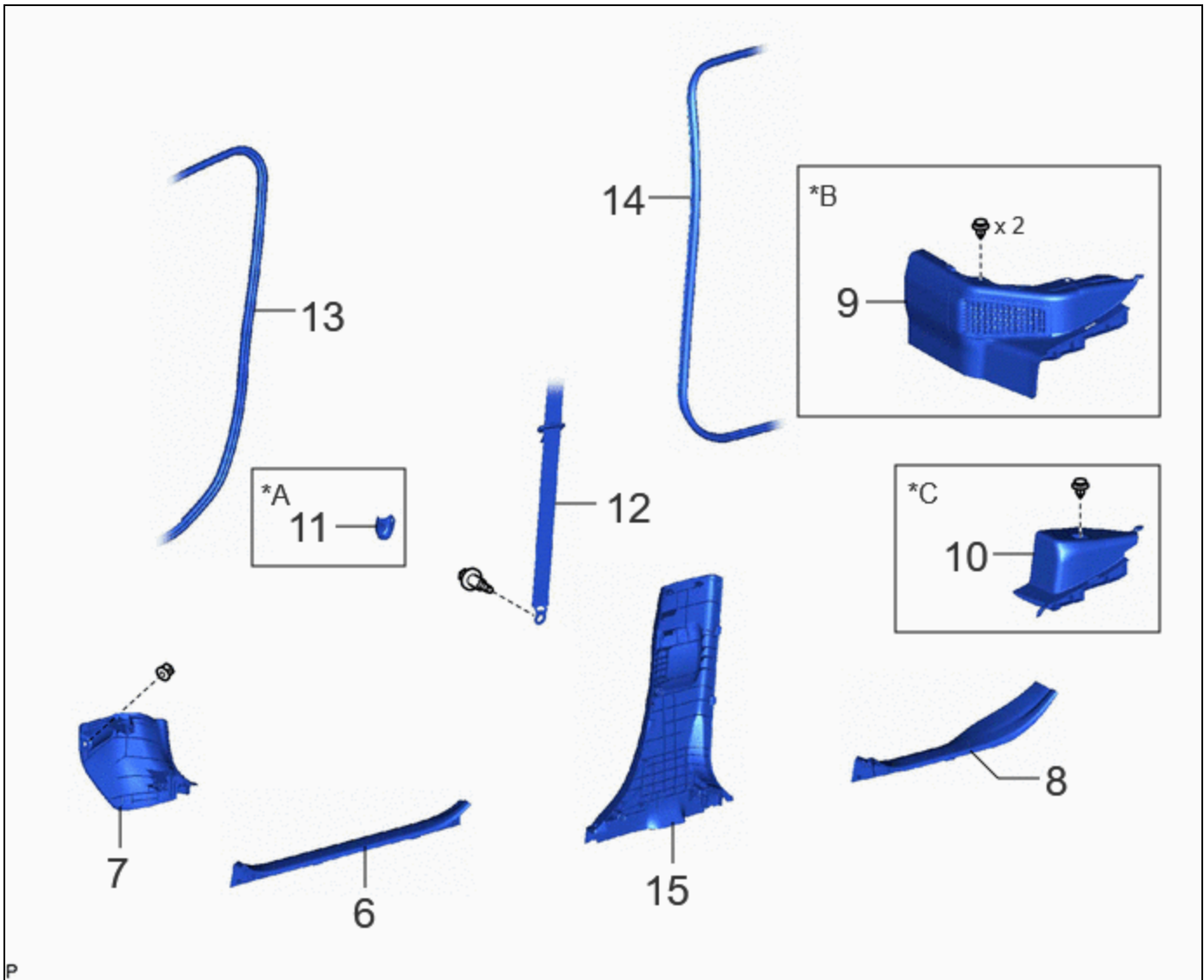
## CAUTION / NOTICE / HINT

### COMPONENTS (REMOVAL)



	PROCEDURE	PART NAME CODE			
1	FRONT SEAT ASSEMBLY LH	-	-	-	-
2	FRONT SEAT ASSEMBLY RH	-	-	-	-
3	REAR CONSOLE BOX ASSEMBLY	-	-	-	-
4	REAR SEAT CUSHION ASSEMBLY	-	<a href="#">INFO</a>	-	-
5	REAR SEAT CUSHION LOCK HOOK	72693	-	-	-

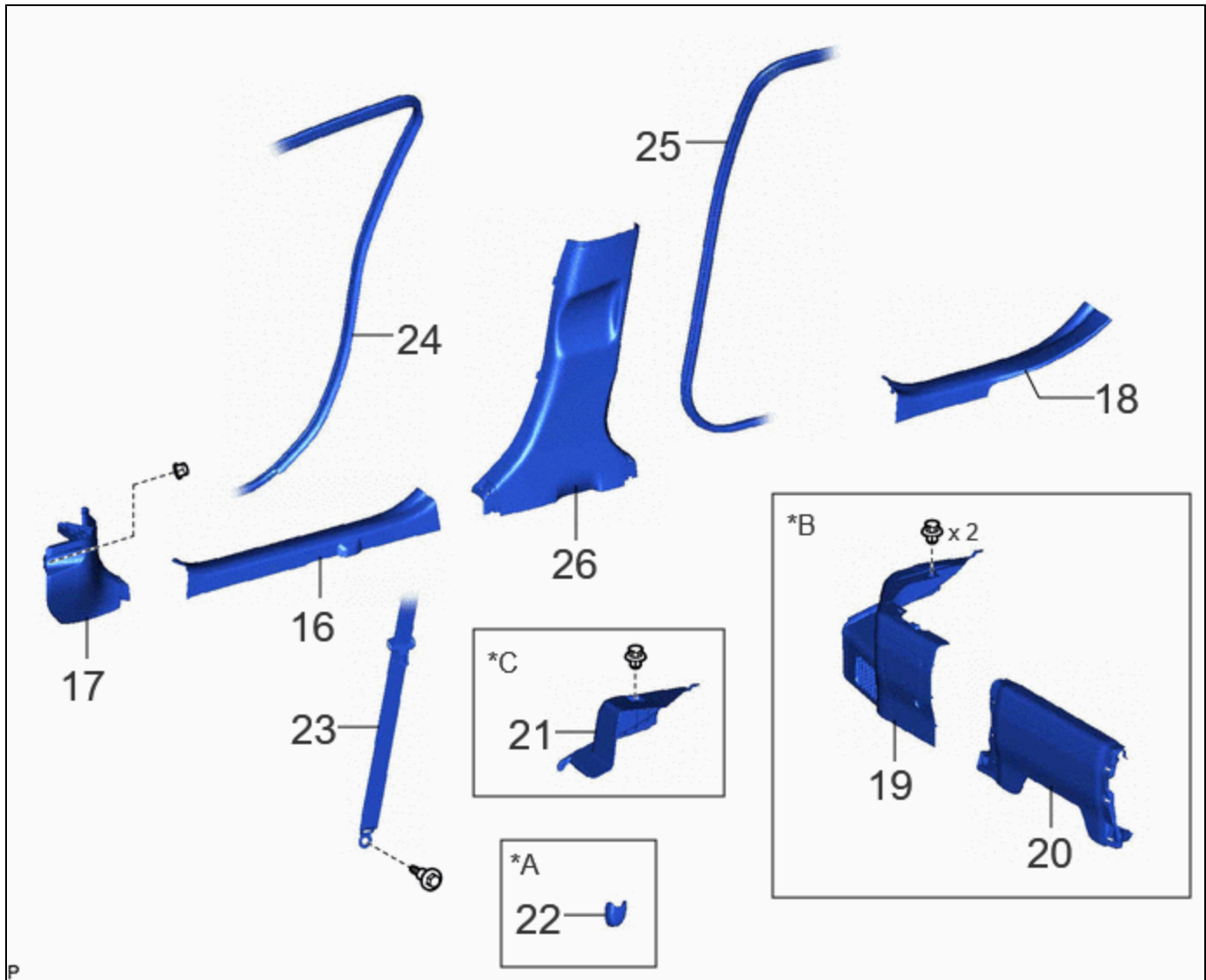
•	Non-reusable part	-	-
---	-------------------	---	---









PROCEDURE		PART NAME CODE			
6	FRONT DOOR SCUFF PLATE LH	67914	-	-	-
7	COWL SIDE TRIM BOARD LH	62112	-	-	-
8	REAR DOOR SCUFF PLATE INSIDE LH	67918F	-	-	-
9	REAR UNDER SIDE COVER LH	76974E	-	-	-
10	REAR SEAT CUSHION COVER LH	72998	-	-	-
11	LAP BELT OUTER ANCHOR COVER	73233	-	-	-
12	FRONT SEAT OUTER BELT ASSEMBLY LH	73220	-	-	-
13	FRONT DOOR OPENING TRIM WEATHERSTRIP LH	62312B	-	-	-
14	REAR DOOR OPENING TRIM WEATHERSTRIP LH	62332A	-	-	-
15	CENTER PILLAR LOWER GARNISH LH	62414A	-	-	-

*A	for LH Side	*B	for HEV Model
----	-------------	----	---------------

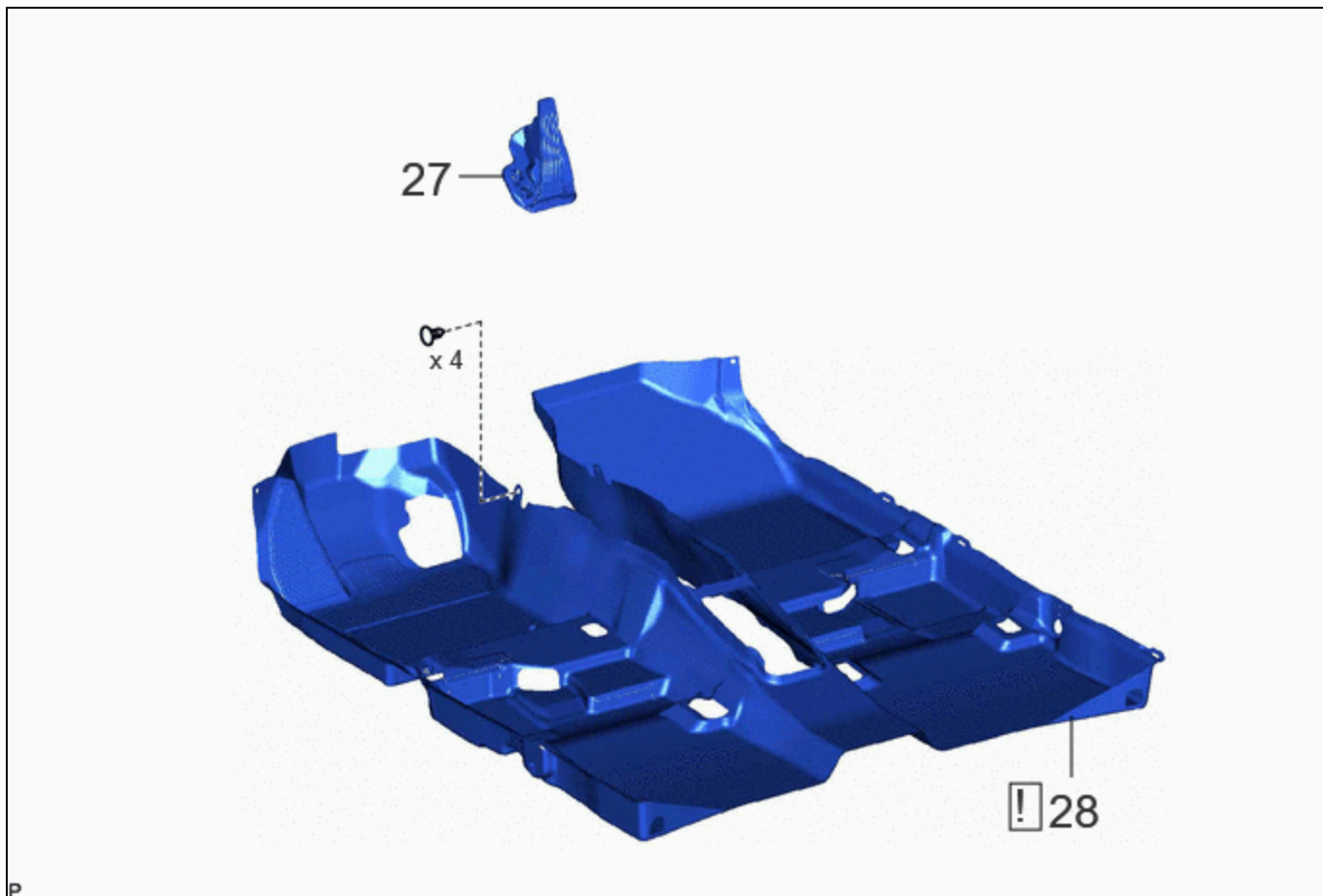
*C	for PHEV Model	-	-
----	----------------	---	---






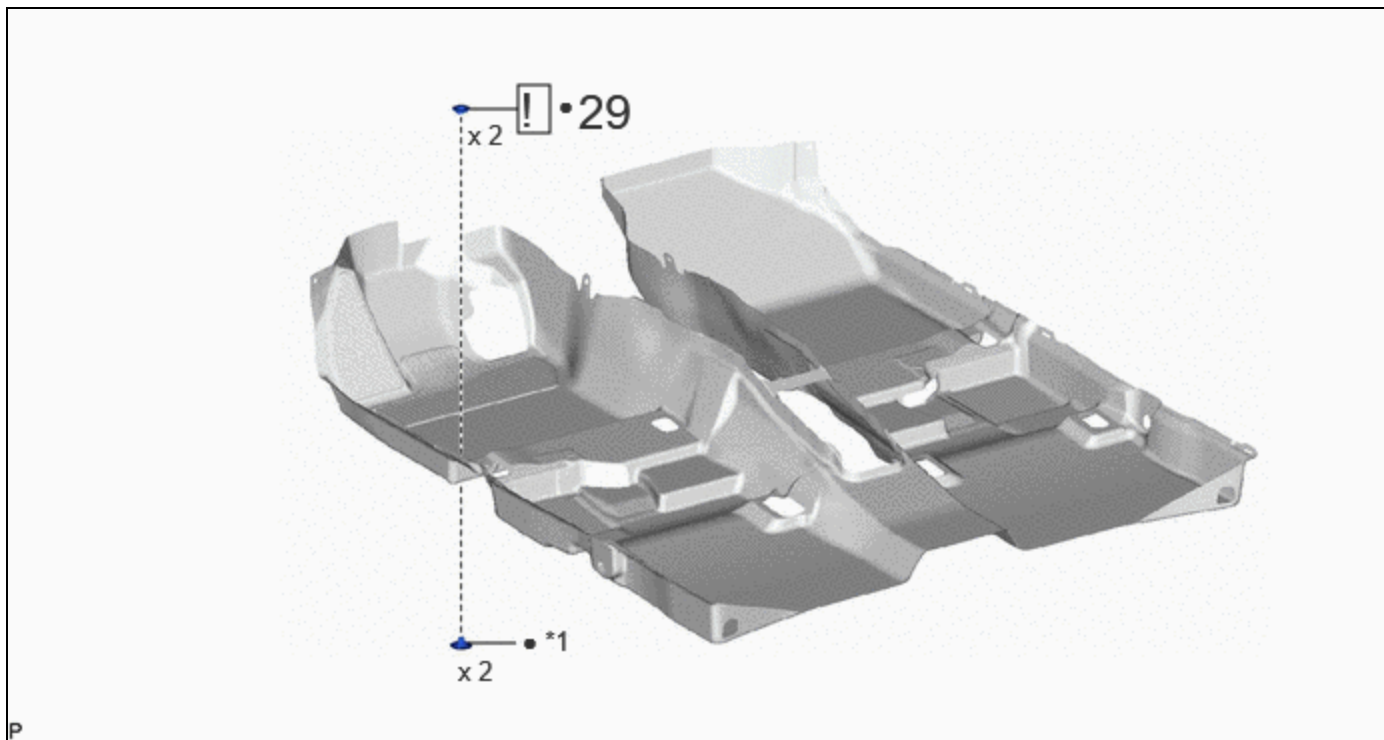
PROCEDURE		PART NAME CODE			
16	FRONT DOOR SCUFF PLATE RH	67913	-	-	-
17	COWL SIDE TRIM BOARD RH	62111C	-	-	-
18	REAR DOOR SCUFF PLATE INSIDE RH	67917F	-	-	-
19	REAR UNDER SIDE COVER RH	76973E	-	-	-
20	REAR UNDER COVER	76971F	-	-	-
21	REAR SEAT CUSHION COVER RH	72955	-	-	-
22	LAP BELT OUTER ANCHOR COVER	73233	-	-	-
23	FRONT SEAT OUTER BELT ASSEMBLY RH	73210	-	-	-
24	FRONT DOOR OPENING TRIM WEATHERSTRIP RH	62311B	-	-	-
25	REAR DOOR OPENING TRIM WEATHERSTRIP RH	62331A	-	-	-

PROCEDURE		PART NAME CODE			
26	CENTER PILLAR LOWER GARNISH RH	61413A	-	-	-

*A	for RH Side	*B	for HEV Model
*C	for PHEV Model	-	-



PROCEDURE		PART NAME CODE			
27	ACCELERATOR PEDAL (WITH SENSOR) ROD ASSEMBLY	78110K	-	-	-
28	FRONT FLOOR CARPET ASSEMBLY	58510D	<a href="#">INFO</a>	-	-



PROCEDURE		PART NAME CODE			
29	MAT SET UPPER PLATE	58694B	<a href="#">INFO</a>	-	-

*1	MAT SET LOWER PLATE	-	-
•	Non-reusable part	-	-

## PROCEDURE

### 1. REMOVE FRONT SEAT ASSEMBLY LH

(a) for Manual Seat:

Click here [INFO](#)

(b) for Power Seat:

Click here [INFO](#)

### 2. REMOVE FRONT SEAT ASSEMBLY RH

(a) Use the same procedure as for the LH side.

### 3. REMOVE REAR CONSOLE BOX ASSEMBLY

Click here [INFO](#)

### 4. REMOVE REAR SEAT CUSHION ASSEMBLY



Click here [INFO](#)

#### **5. REMOVE REAR SEAT CUSHION LOCK HOOK**

Click here [INFO](#)

#### **6. REMOVE FRONT DOOR SCUFF PLATE LH**

Click here [INFO](#)

#### **7. REMOVE COWL SIDE TRIM BOARD LH**

Click here [INFO](#)

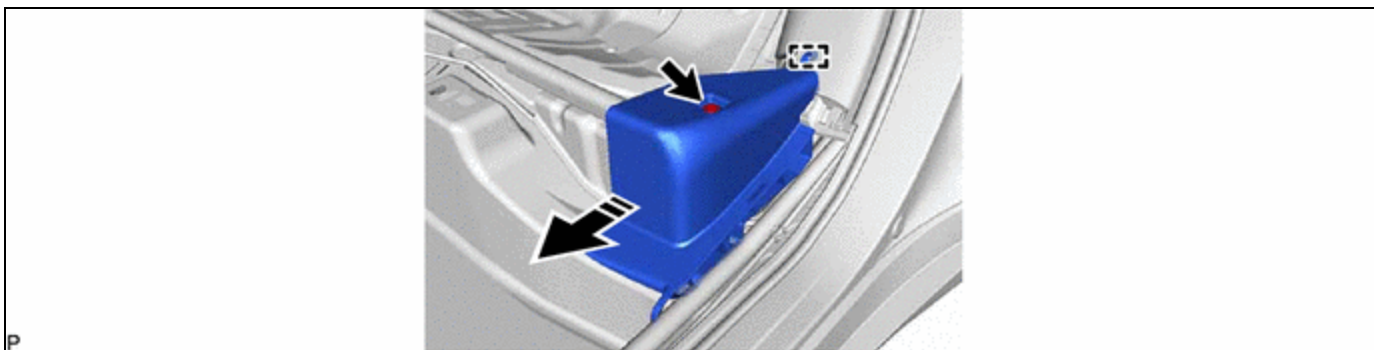
#### **8. REMOVE REAR DOOR SCUFF PLATE INSIDE LH**

Click here [INFO](#)

#### **9. REMOVE REAR UNDER SIDE COVER LH (for HEV Model)**

Click here [INFO](#)

#### **10. REMOVE REAR SEAT CUSHION COVER LH (for PHEV Model)**



#### **11. REMOVE LAP BELT OUTER ANCHOR COVER (for LH Side)**

Click here [INFO](#)

#### **12. DISCONNECT FRONT SEAT OUTER BELT ASSEMBLY LH**

Click here [INFO](#)

#### **13. DISCONNECT FRONT DOOR OPENING TRIM WEATHERSTRIP LH**

Click here [INFO](#)

#### **14. DISCONNECT REAR DOOR OPENING TRIM WEATHERSTRIP LH**

Click here [INFO](#)

#### **15. REMOVE CENTER PILLAR LOWER GARNISH LH**

Click here [INFO](#)

#### **16. REMOVE FRONT DOOR SCUFF PLATE RH**



(a) Use the same procedure as for the LH side.

**17. REMOVE COWL SIDE TRIM BOARD RH**

(a) Use the same procedure as for the LH side.

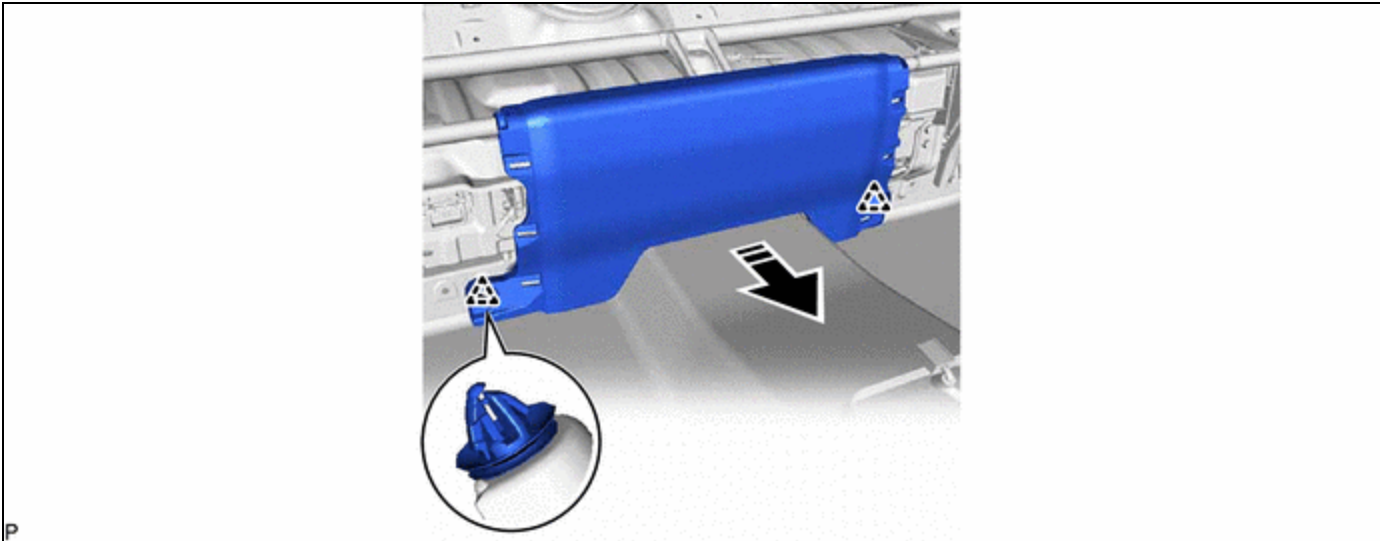
**18. REMOVE REAR DOOR SCUFF PLATE INSIDE RH**


(a) Use the same procedure as for the LH side.

**19. REMOVE REAR UNDER SIDE COVER RH (for HEV Model)**

(a) Use the same procedure as for the LH side.

**20. REMOVE REAR UNDER COVER (for HEV Model)**



	Remove in this Direction	-	-
---	--------------------------	---	---

**21. REMOVE REAR SEAT CUSHION COVER RH (for PHEV Model)**

(a) Use the same procedure as for the LH side.

**22. REMOVE LAP BELT OUTER ANCHOR COVER (for RH Side)**

(a) Use the same procedure as for the LH side.

**23. DISCONNECT FRONT SEAT OUTER BELT ASSEMBLY RH**

(a) Use the same procedure as for the LH side.

**24. DISCONNECT FRONT DOOR OPENING TRIM WEATHERSTRIP RH**

(a) Use the same procedure as for the LH side.

**25. DISCONNECT REAR DOOR OPENING TRIM WEATHERSTRIP RH**

(a) Use the same procedure as for the LH side.

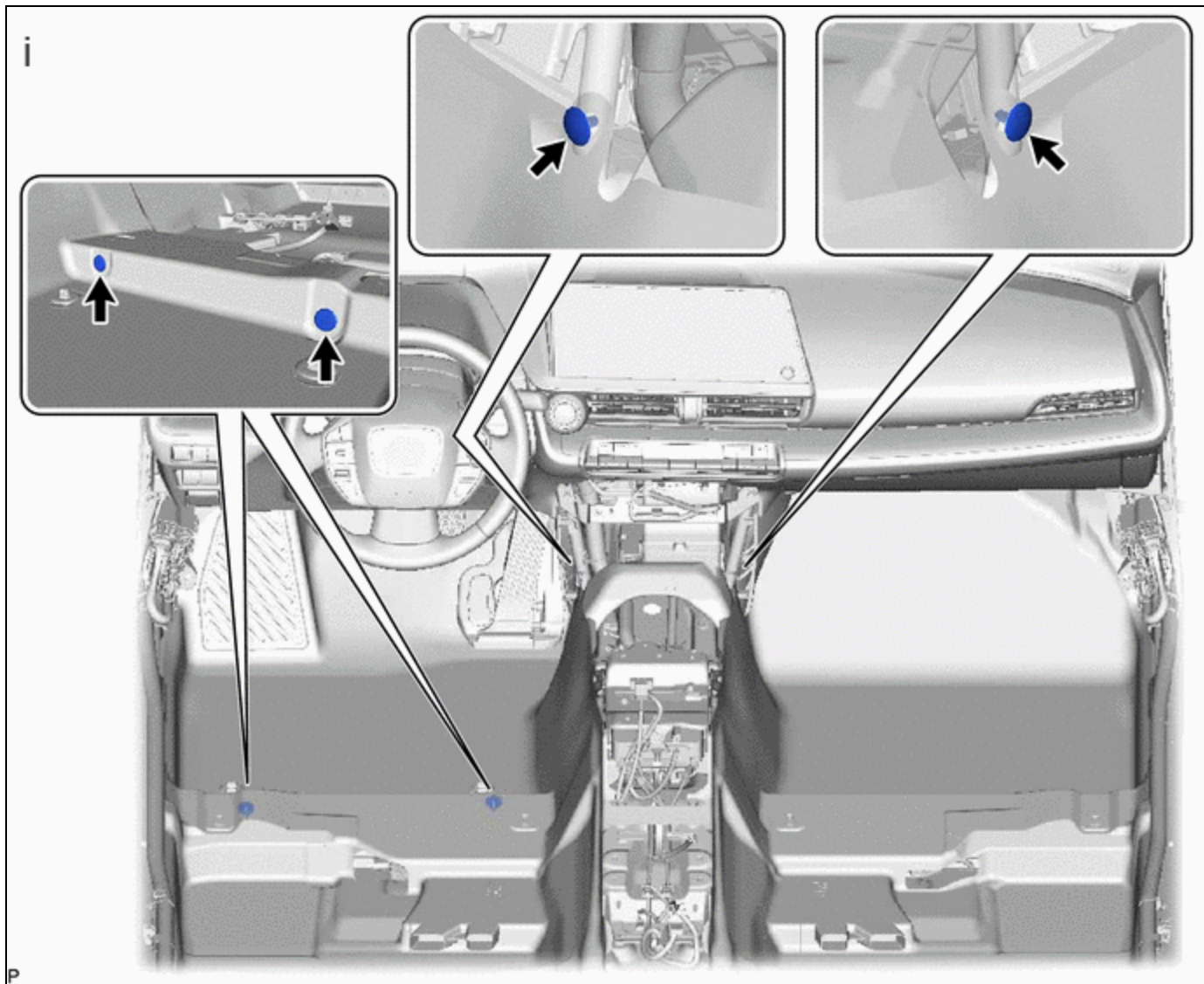
**26. REMOVE CENTER PILLAR LOWER GARNISH RH**

(a) Use the same procedure as for the LH side.

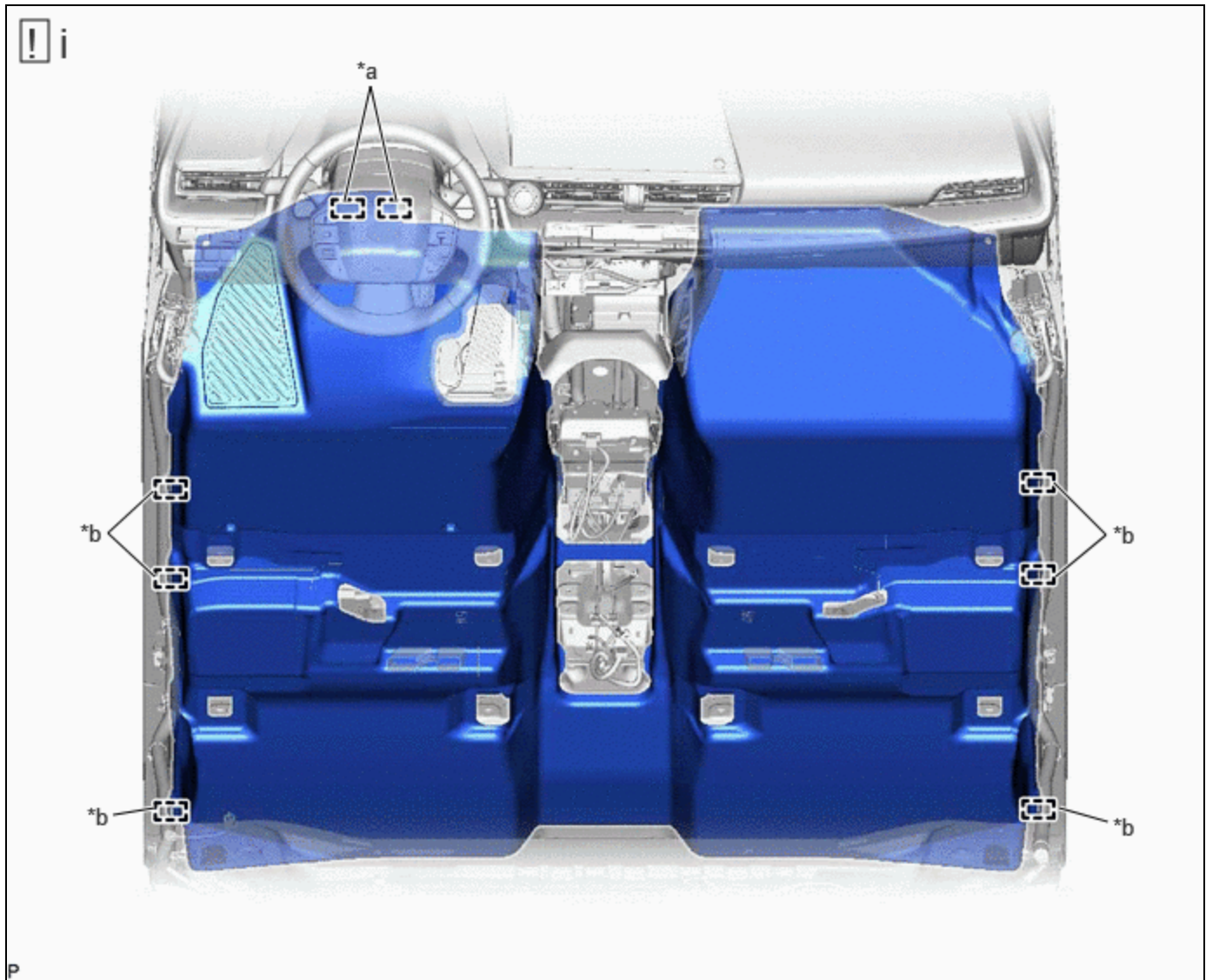
**27. REMOVE ACCELERATOR PEDAL (WITH SENSOR) ROD ASSEMBLY**

Click here [INFO](#)

### 28. REMOVE FRONT FLOOR CARPET ASSEMBLY



(1) Remove the 4 clips.




*a	Fastener	*b	Guide
----	----------	----	-------

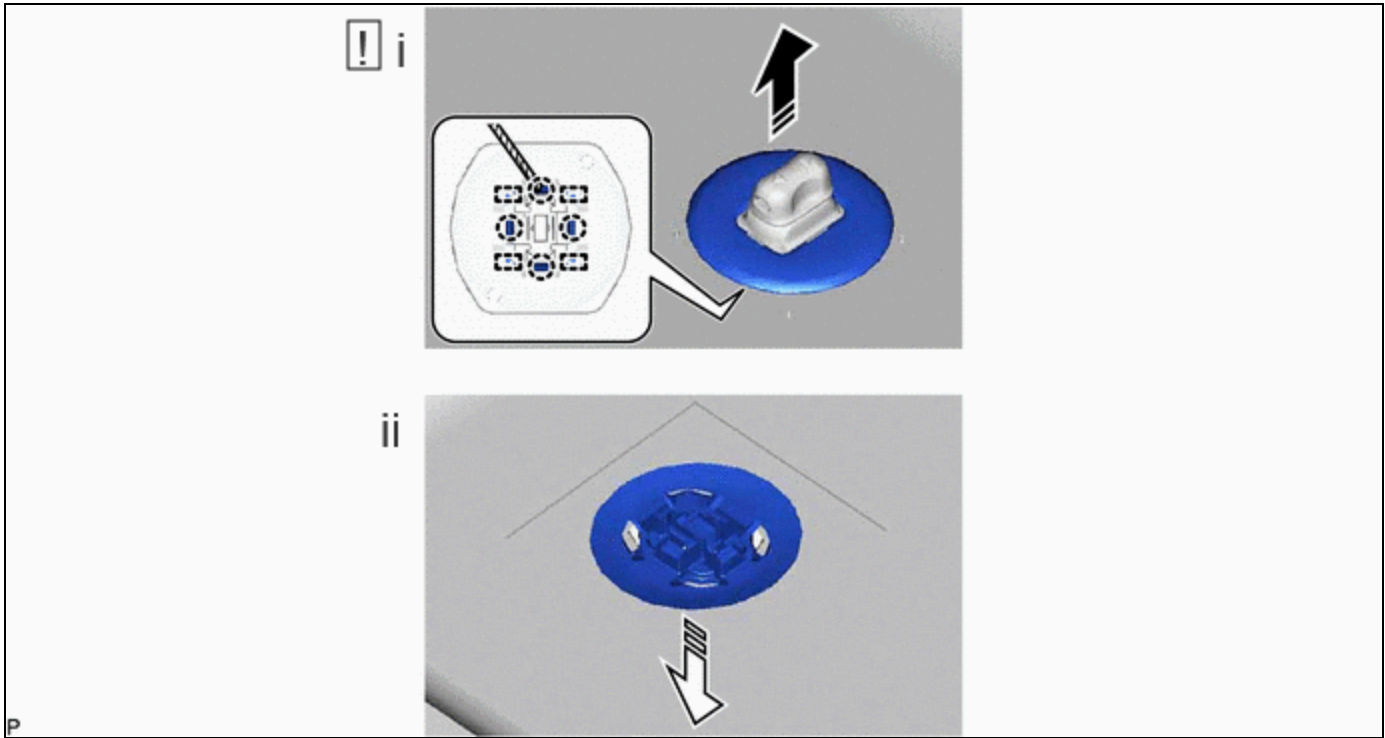
(1) Disengage the 2 fasteners and 6 guides to remove the front floor carpet assembly.



**NOTICE:**

Do not pull the slit part of the front floor carpet assembly strongly because there is a risk of damage.

**29. REMOVE MAT SET UPPER PLATE**

	<p><b>NOTICE:</b></p> <ul style="list-style-type: none"> <li>Do not forcefully pull the front floor carpet assembly as it may deform the installation holes of the mat set plate.</li> <li>Do not remove the reinforcements on the back of the mat set plate mounting holes of the front floor carpet assembly.</li> <li>If the mat set plate mounting holes of the front floor carpet assembly are damaged or deformed, replace the front floor carpet assembly.</li> </ul> <p><b>HINT:</b></p> <p>Perform this procedure only when replacement of the mat set plate is necessary.</p>
---	---



	Remove in this Direction (1)		Remove in this Direction (2)
---	------------------------------	---	------------------------------

(1) Using a screwdriver with its tip wrapped in protective tape, disengage the 4 claws and 4 guides to remove the mat set upper plate from the mat set lower plate and front floor carpet assembly as shown in the illustration.

(2) Remove the mat set lower plate as shown in the illustration.

(b) Use the same procedure for the opposite side.

