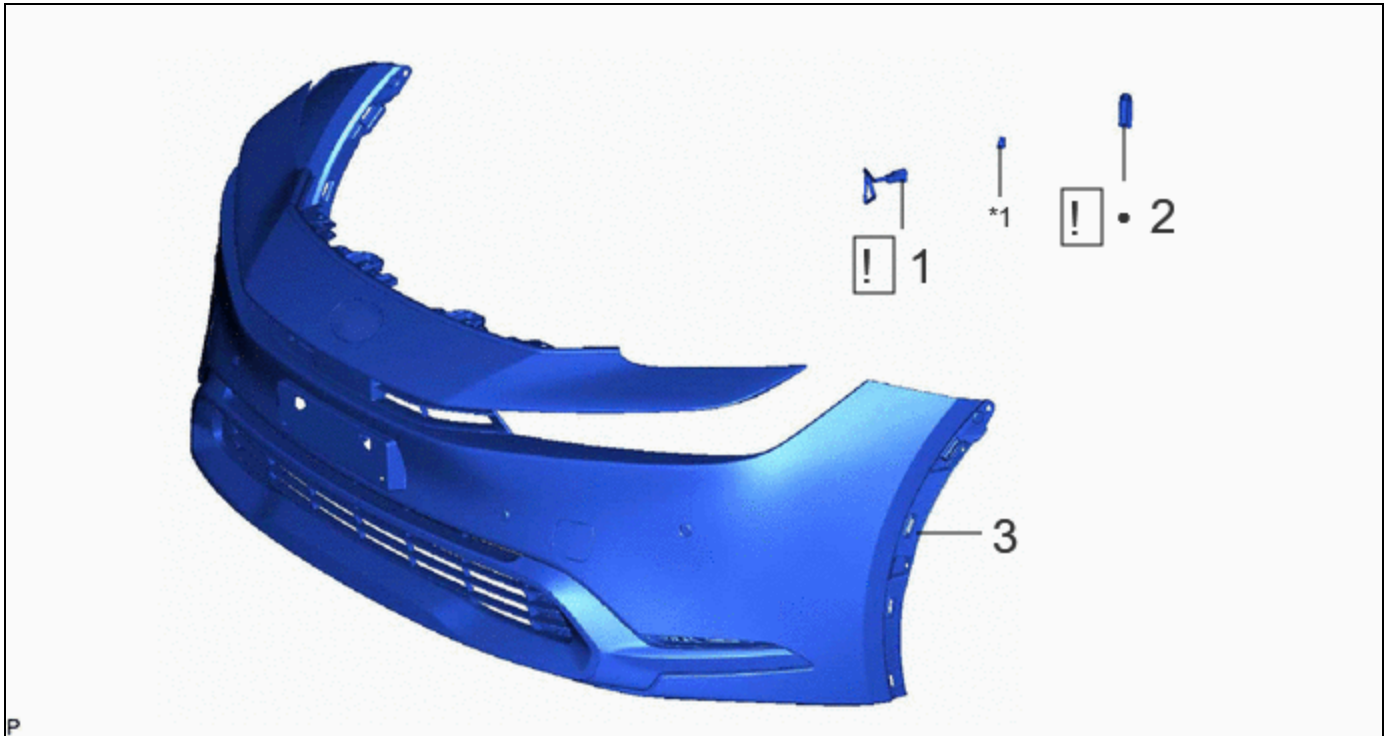


Last Modified: 12-04-2024	6.11:8.1.0	Doc ID: RM100000002AXF9
Model Year Start: 2023	Model: Prius Prime	Prod Date Range: [03/2023 -]
Title: HEATING / AIR CONDITIONING: HEAT EXCHANGER TEMPERATURE SENSOR: INSTALLATION; 2023 - 2024 MY Prius Prius Prime [03/2023 -]		

INSTALLATION

CAUTION / NOTICE / HINT

COMPONENTS (INSTALLATION)

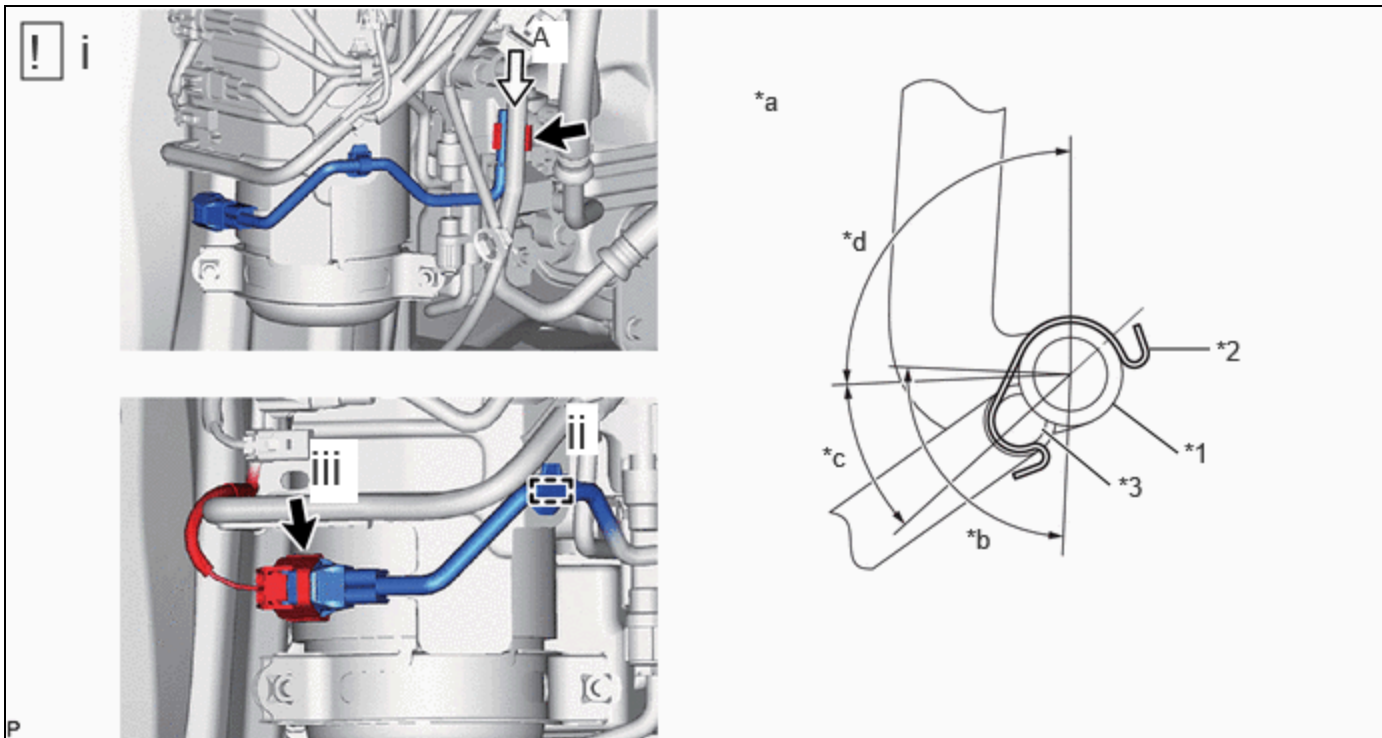


PROCEDURE		PART NAME CODE			
1	NO. 1 AIR CONDITIONING THERMISTOR ASSEMBLY	88620Q	INFO	-	-
2	NO. 1 COOLER PACKING	88578Z	INFO	-	-
3	FRONT BUMPER ASSEMBLY	-	-	-	-

*1	NO. 1 PIPING CLAMP	-	-
•	Non-reusable part	-	-

PROCEDURE

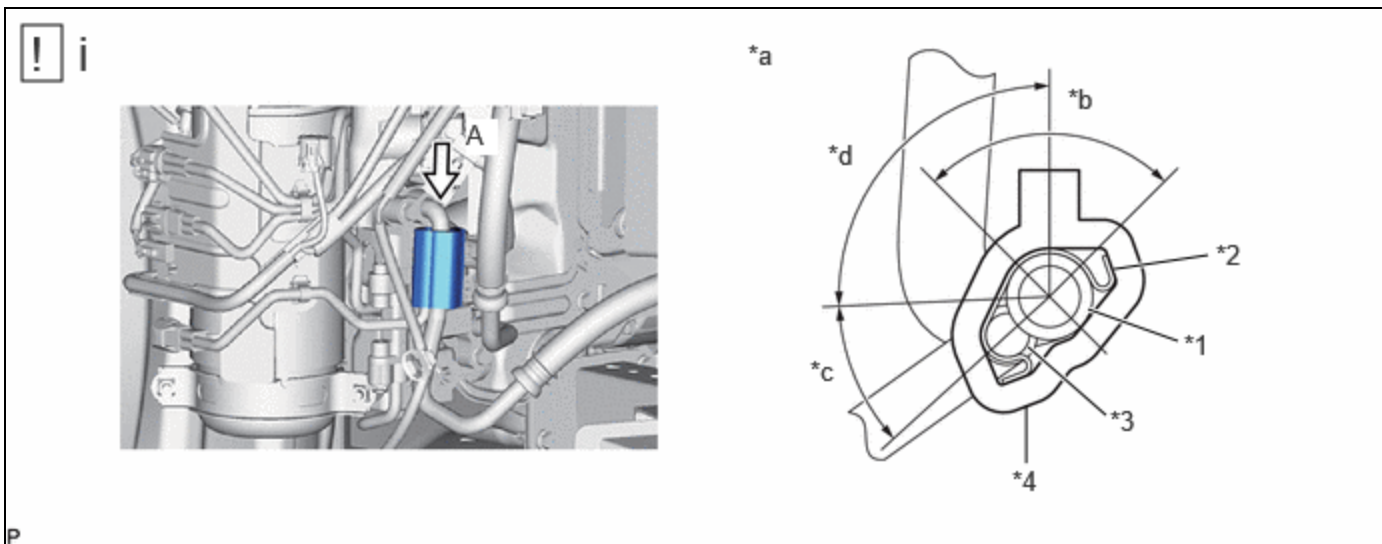
1. INSTALL NO. 1 AIR CONDITIONING THERMISTOR ASSEMBLY



*1	No. 1 Discharge Hose Sub-assembly	*2	No. 1 Piping Clamp
*3	No. 1 Air Conditioning Thermistor Assembly	-	-
*a	View A	*b	Installation Angle (90°)
*c	Installation Angle (39.7°)	*d	Installation Angle (92.6°)

- (1) Install the No. 1 air conditioning thermistor assembly with the No. 1 piping clamp as shown in the illustration.
- (2) Engage the clamp.
- (3) Connect the connector.

2. INSTALL NO. 1 COOLER PACKING



*1	No. 1 Discharge Hose Sub-assembly	*2	No. 1 Piping Clamp
*3	No. 1 Air Conditioning Thermistor Assembly	*4	No. 1 Cooler Packing

*a	View A	*b	Installation Angle (90°)
*c	Installation Angle (39.7°)	*d	Installation Angle (92.6°)

(1) Perform the following procedure to install the No. 1 cooler packing.

1. Remove any remaining No. 1 cooler packing from the No. 1 air conditioning thermostat assembly and No. 1 discharge hose sub-assembly.
2. Remove the release paper from a new No. 1 cooler packing.
3. Install the No. 1 cooler packing as shown in the illustration.

3. INSTALL FRONT BUMPER ASSEMBLY

Click here [INFO](#)

