

Last Modified: 12-04-2024	6.11:8.1.0	Doc ID: RM10000002B0S6
Model Year Start: 2023	Model: Prius Prime	Prod Date Range: [03/2023 -]
Title: HEATING / AIR CONDITIONING: FRONT EVAPORATOR FRONT SOLENOID VALVE: REMOVAL; 2023 - 2024 MY Prius Prius Prime [03/2023 -]		

REMOVAL

CAUTION / NOTICE / HINT

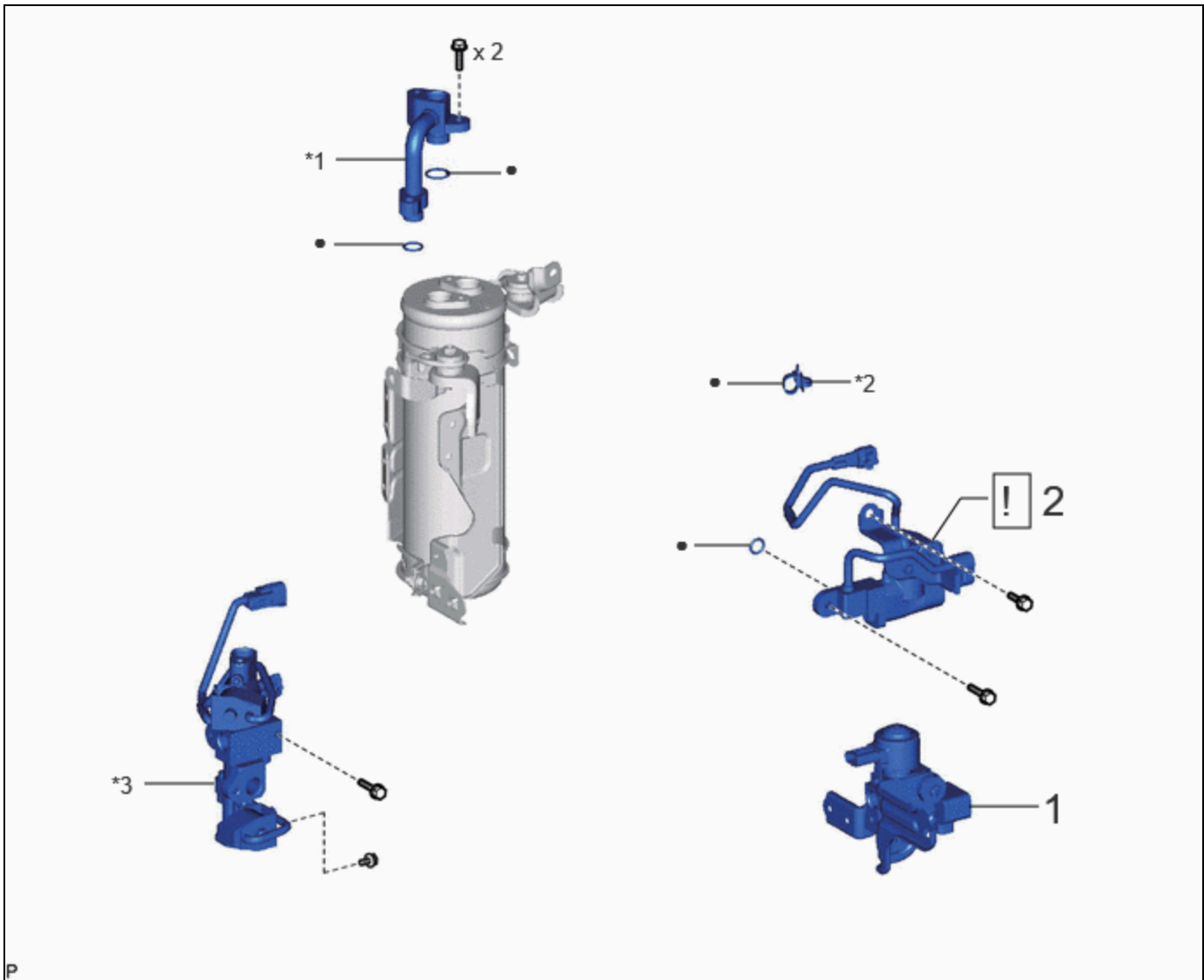
The necessary procedures (adjustment, calibration, initialization or registration) that must be performed after parts are removed and installed, or replaced during No. 1 magnet valve assembly removal/installation are shown below.

Necessary Procedures After Parts Removed/Installed/Replaced

REPLACED PART OR PERFORMED PROCEDURE	NECESSARY PROCEDURES	EFFECT/INOPERATIVE FUNCTION WHEN NECESSARY PROCEDURES ARE NOT PERFORMED	LINK
Front bumper assembly*	Front television camera view adjustment	Panoramic View Monitor System	INFO
		Advanced Park	INFO
*: Even when not replacing the part, it is necessary to perform the specified necessary procedures after installation.			

CAUTION / NOTICE / HINT

COMPONENTS (REMOVAL)



PROCEDURE		PART NAME CODE			
1	MAGNET VALVE ASSEMBLY	88690K	-	-	-
2	NO. 1 MAGNET VALVE ASSEMBLY	88690M	INFO	-	-

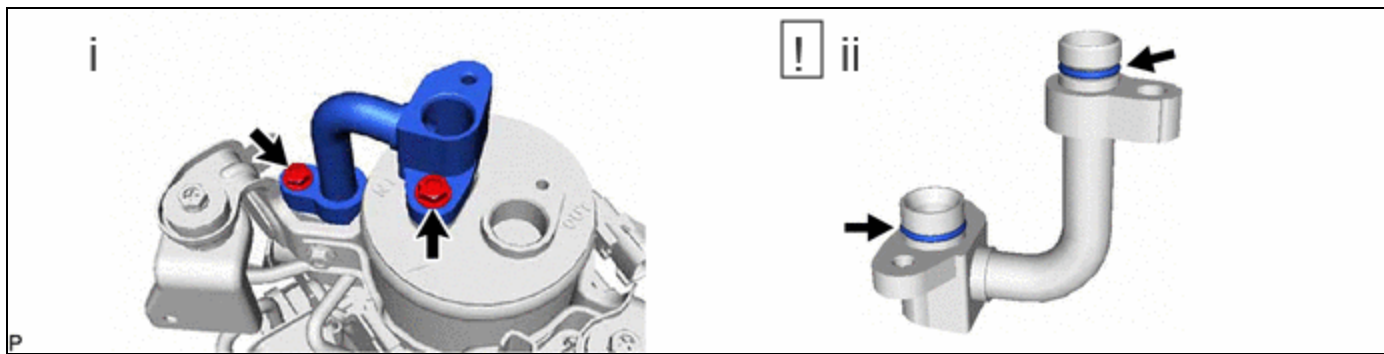
*1	NO. 3 DISCHARGE TUBE	*2	WIRING HARNESS CLAMP
*3	MAGNET VALVE	-	-
•	Non-reusable part	-	-

PROCEDURE

1. REMOVE MAGNET VALVE ASSEMBLY

Click here [INFO](#)

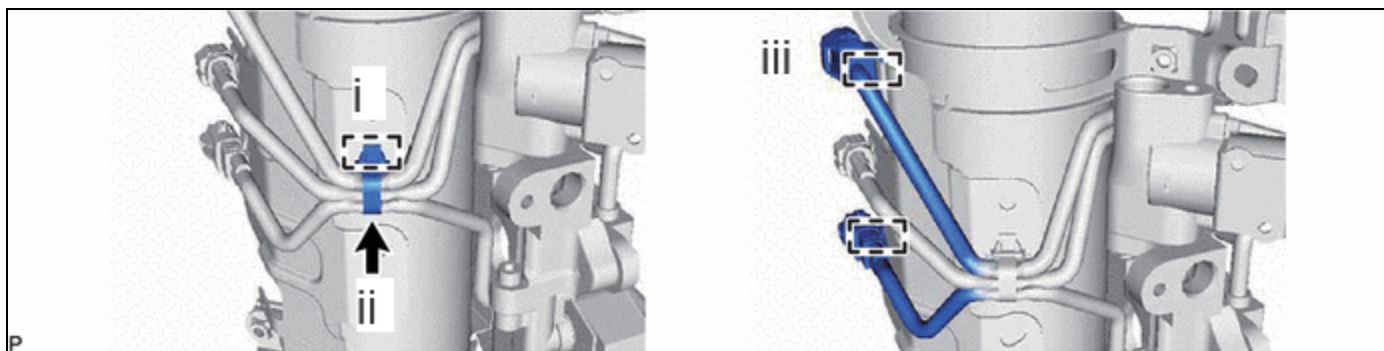
2. REMOVE NO. 1 MAGNET VALVE ASSEMBLY



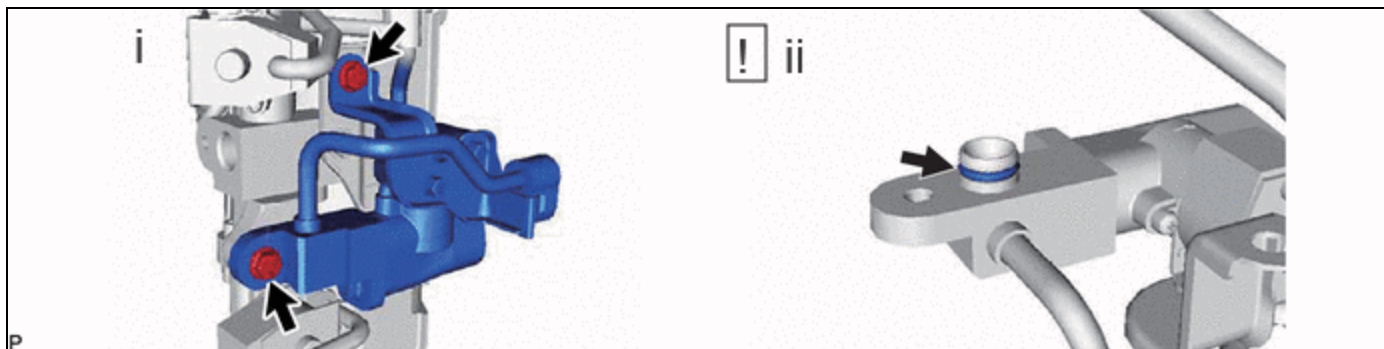
- (1) Remove the 2 bolts and No. 3 discharge tube.
- (2) Remove the 2 O-rings from the No. 3 discharge tube.

NOTICE:

Seal the openings of the removed parts using vinyl tape to prevent moisture and foreign matter from entering them.



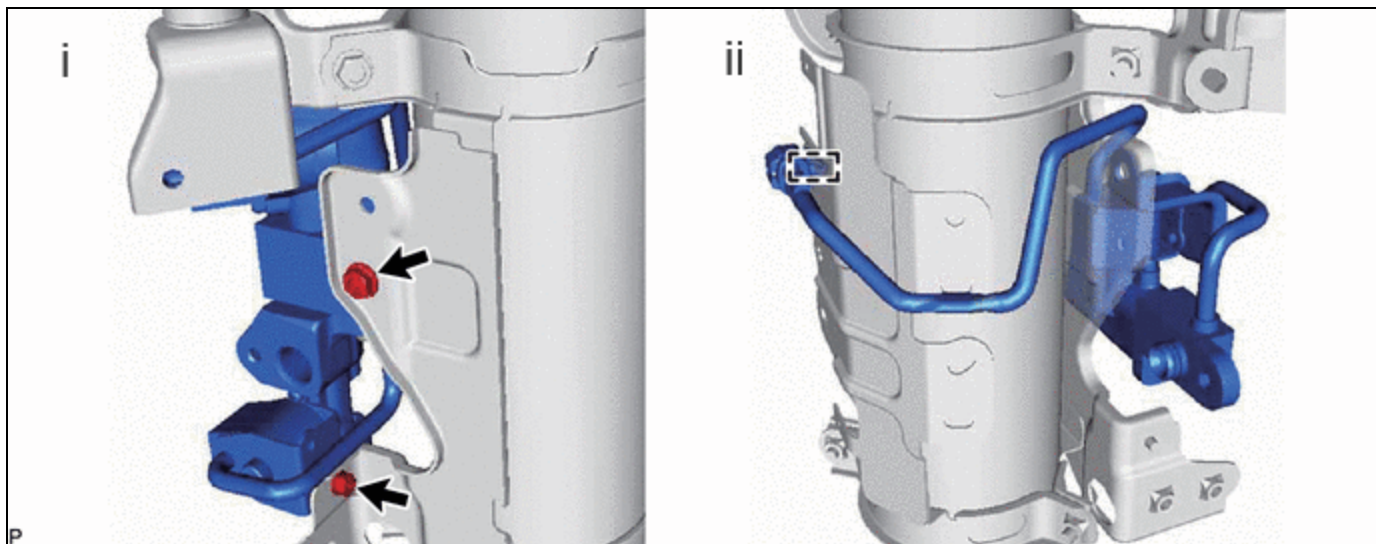
- (1) Disengage the clamp.
- (2) Cut and remove the wiring harness clamp.
- (3) Disengage the 2 clamps.



- (1) Remove the 2 bolts and disconnect the No. 1 magnet valve assembly.
- (2) Remove the O-ring from the No. 1 magnet valve assembly.

NOTICE:

Seal the openings of the removed parts using vinyl tape to prevent moisture and foreign matter from entering them.



- (1) Remove the 2 bolts and magnet valve.
- (2) Disengage the clamp and No. 1 magnet valve assembly.

