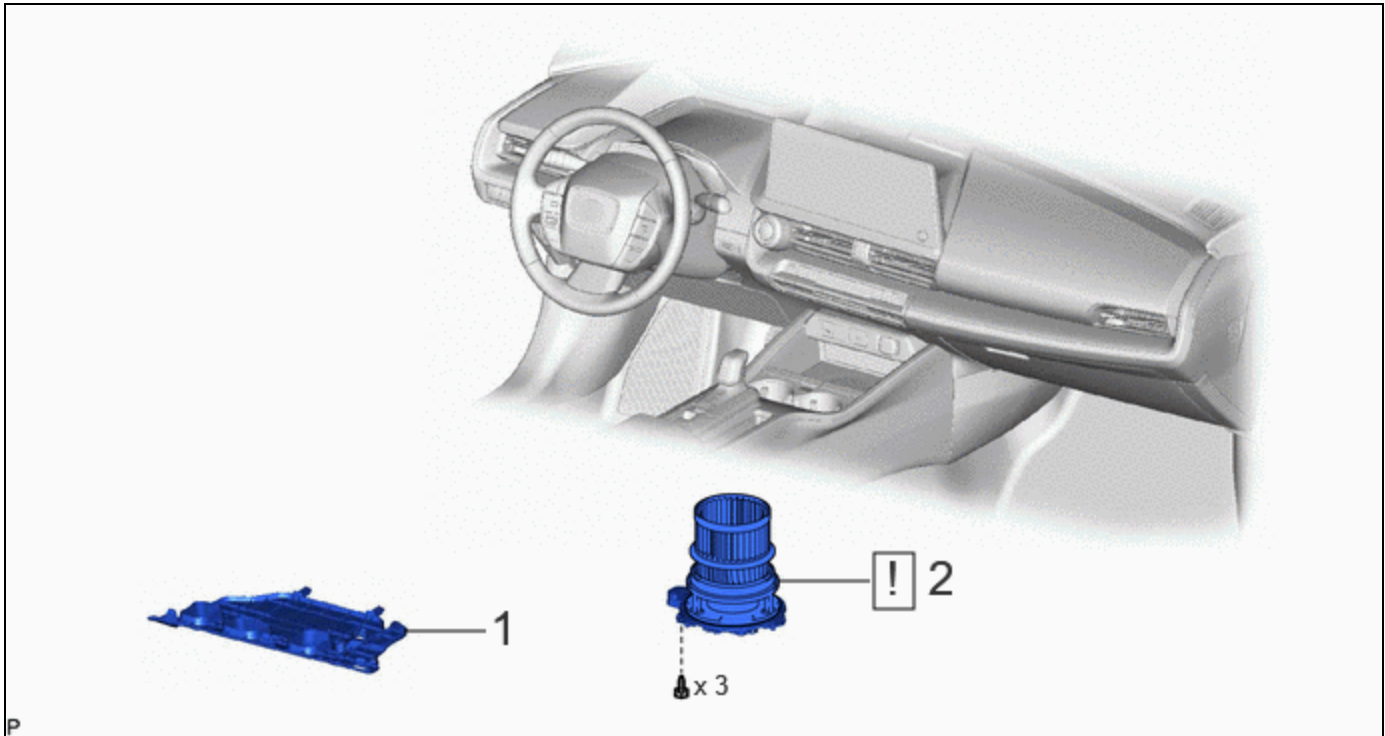


Last Modified: 12-04-2024	6.11:8.1.0	Doc ID: RM1000000029ZVR
Model Year Start: 2023	Model: Prius Prime	Prod Date Range: [12/2022 -]
Title: HEATING / AIR CONDITIONING: FRONT BLOWER MOTOR: REMOVAL; 2023 - 2024 MY Prius Prius Prime [12/2022 -]		

REMOVAL

CAUTION / NOTICE / HINT

COMPONENTS (REMOVAL)



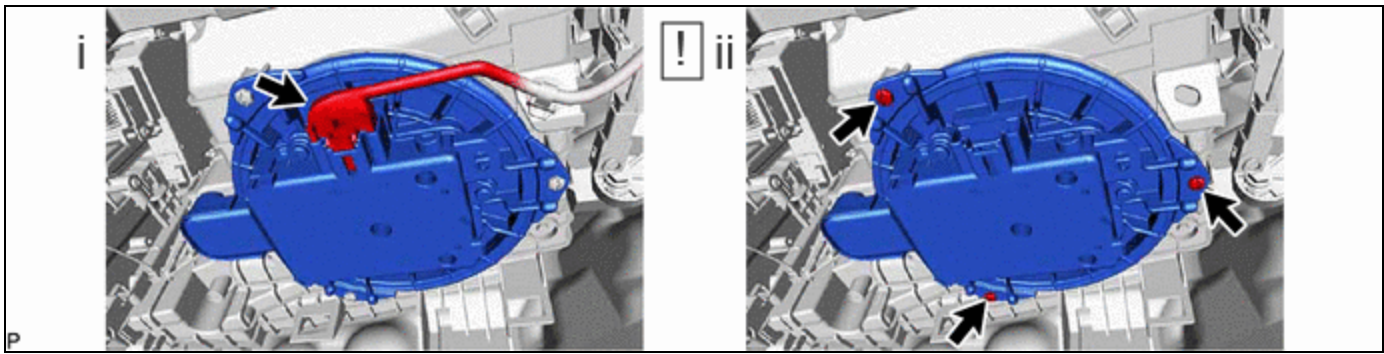
PROCEDURE		PART NAME CODE	!	📄	⚙️
1	NO. 2 INSTRUMENT PANEL UNDER COVER SUB-ASSEMBLY	55607	-	-	-
2	BLOWER MOTOR WITH FAN SUB-ASSEMBLY	87103B	INFO	-	-

PROCEDURE

1. REMOVE NO. 2 INSTRUMENT PANEL UNDER COVER SUB-ASSEMBLY

Click here [INFO](#)

2. REMOVE BLOWER MOTOR WITH FAN SUB-ASSEMBLY



(1) Disconnect the connector.

(2) Remove the 3 screws and blower motor with fan sub-assembly.

NOTICE:

Do not reuse the blower motor with fan sub-assembly if it has been dropped or subjected to a severe impact.

