

Last Modified: 12-04-2024	6.11:8.1.0	Doc ID: RM10000002AXEI
Model Year Start: 2023	Model: Prius Prime	Prod Date Range: [03/2023 -]
Title: HEATING / AIR CONDITIONING: ELECTRIC EXPANSION VALVE (HEATING): REMOVAL; 2023 - 2024 MY Prius Prius Prime [03/2023 -]		

REMOVAL

CAUTION / NOTICE / HINT

The necessary procedures (adjustment, calibration, initialization or registration) that must be performed after parts are removed and installed, or replaced during No. 2 cooler expansion valve removal/installation are shown below.

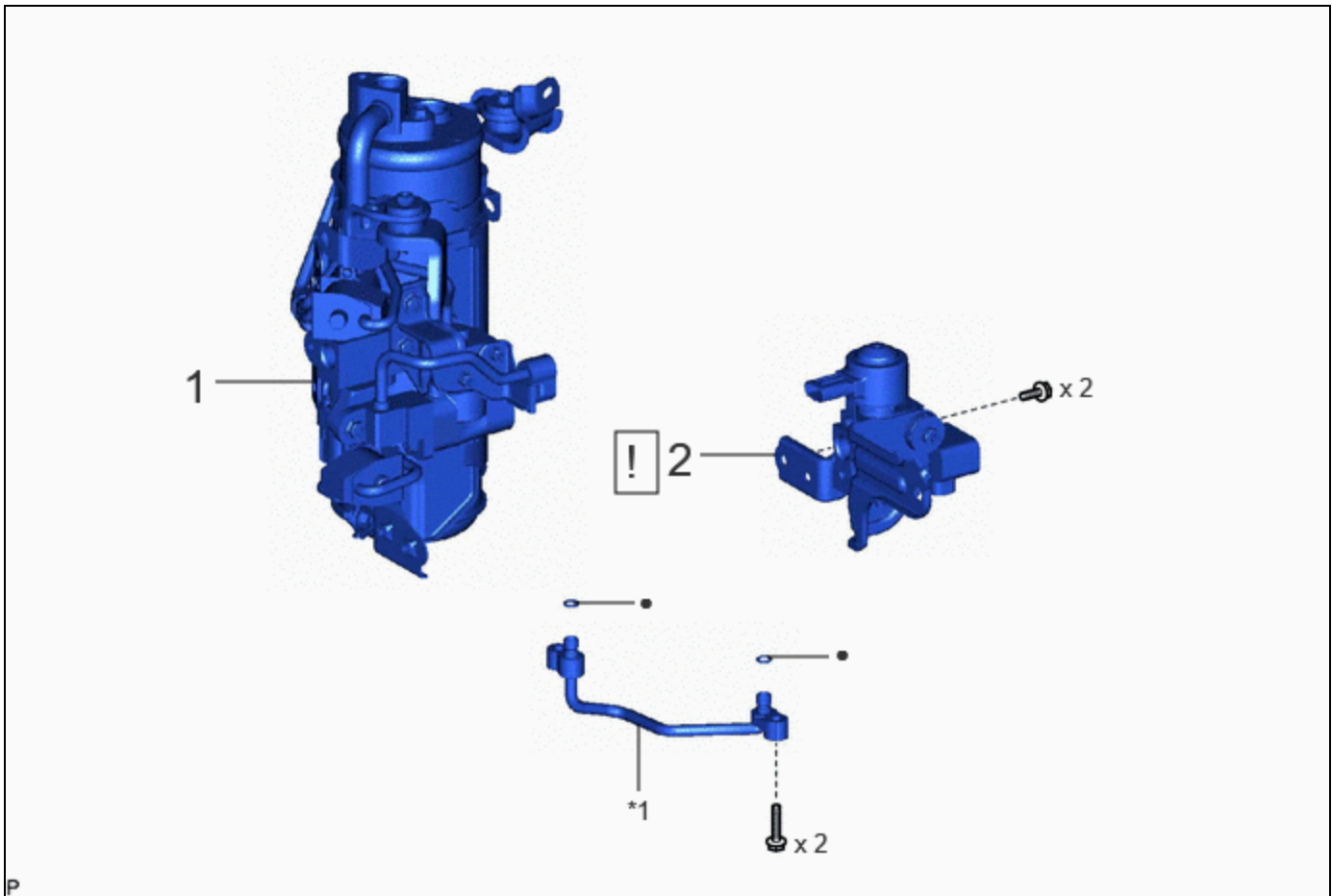
Necessary Procedures After Parts Removed/Installed/Replaced

REPLACED PART OR PERFORMED PROCEDURE	NECESSARY PROCEDURES	EFFECT/INOPERATIVE FUNCTION WHEN NECESSARY PROCEDURES ARE NOT PERFORMED	LINK
Front bumper assembly*	Front television camera view adjustment	Panoramic View Monitor System	INFO
		Advanced Park	INFO
Heating electric expansion valve (magnet valve assembly)	<ul style="list-style-type: none"> Servo motor initialization (Air Conditioning System) Expansion valve initialization (Air Conditioning System) 	DTCs are stored	INFO

*: Even when not replacing the part, it is necessary to perform the specified necessary procedures after installation.

CAUTION / NOTICE / HINT

COMPONENTS (REMOVAL)



	PROCEDURE	PART NAME CODE			
1	ACCUMULATOR ASSEMBLY	88470H	-	-	-
2	MAGNET VALVE ASSEMBLY	88690K	INFO	-	-

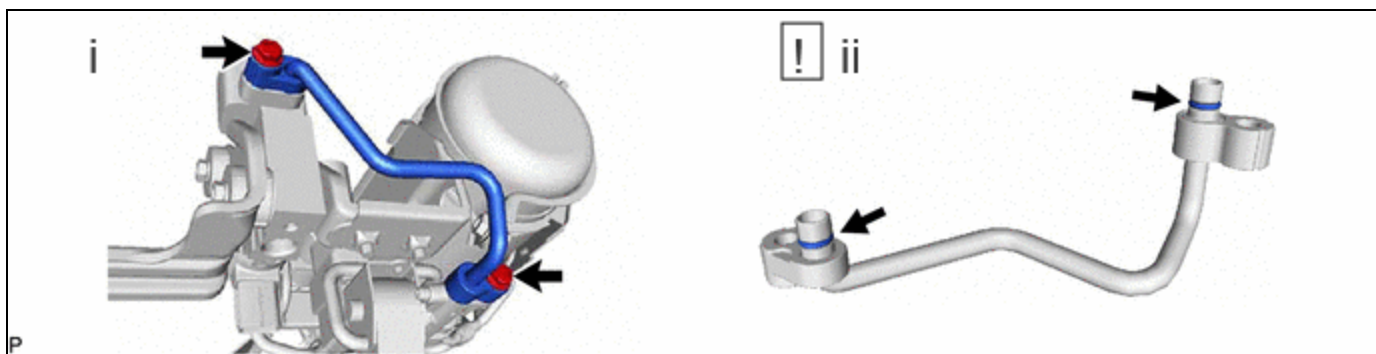
*1	NO. 3 LIQUID TUBE	-	-
•	Non-reusable part	-	-

PROCEDURE

1. REMOVE ACCUMULATOR ASSEMBLY

Click here [INFO](#)

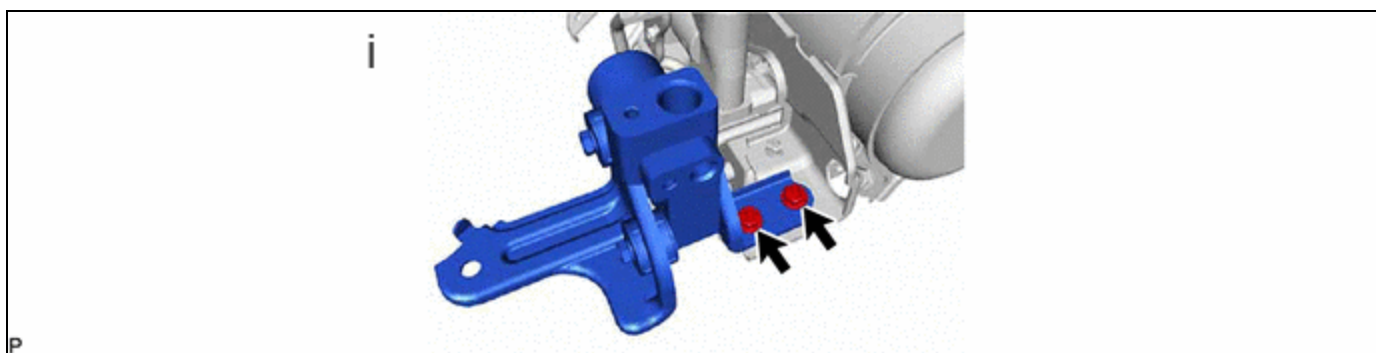
2. REMOVE MAGNET VALVE ASSEMBLY



- (1) Remove the 2 bolts and No. 3 liquid tube.
- (2) Remove the 2 O-rings from the No. 3 liquid tube.

NOTICE:

Seal the openings of the removed parts using vinyl tape to prevent moisture and foreign matter from entering them.



- (1) Remove the 2 bolts and magnet valve assembly.

