

Last Modified: 12-04-2024	6.11:8.1.0	Doc ID: RM10000002AXEG
Model Year Start: 2023	Model: Prius Prime	Prod Date Range: [03/2023 -]
Title: HEATING / AIR CONDITIONING: ELECTRIC EXPANSION VALVE (COOLING): REMOVAL; 2023 - 2024 MY Prius Prius Prime [03/2023 -]		

REMOVAL

CAUTION / NOTICE / HINT

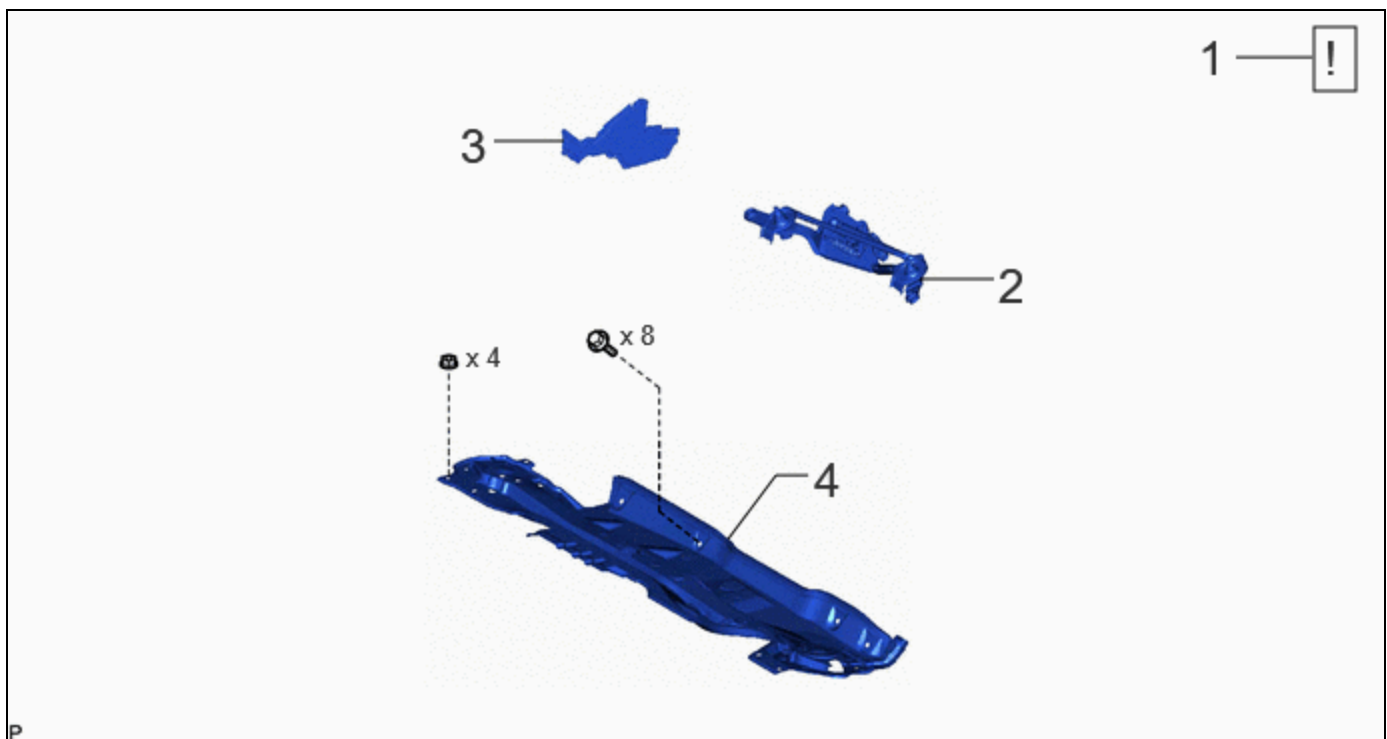
The necessary procedures (adjustment, calibration, initialization or registration) that must be performed after parts are removed and installed, or replaced during cooler expansion valve removal/installation are shown below.




Necessary Procedures After Parts Removed/Installed/Replaced

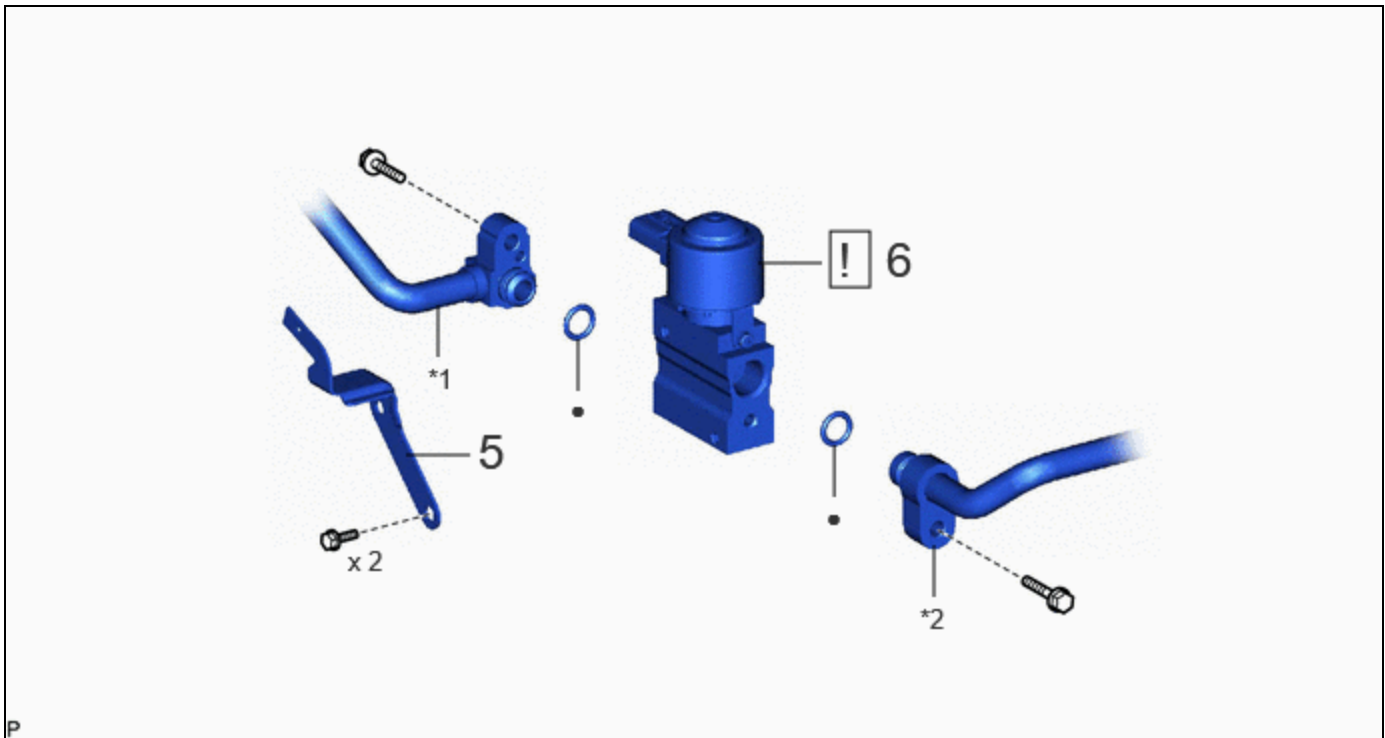
REPLACED PART OR PERFORMED PROCEDURE	NECESSARY PROCEDURES	EFFECT/INOPERATIVE FUNCTION WHEN NECESSARY PROCEDURES ARE NOT PERFORMED	LINK
Cooling electric expansion valve (cooler expansion valve)	<ul style="list-style-type: none"> Servo motor initialization (Air Conditioning System) Expansion valve initialization (Air Conditioning System) 	DTCs are stored	INFO




CAUTION / NOTICE / HINT

COMPONENTS (REMOVAL)



PROCEDURE		PART NAME CODE			
1	RECOVER REFRIGERANT FROM REFRIGERATION SYSTEM	-	INFO	-	-
2	WINDSHIELD WIPER MOTOR AND LINK ASSEMBLY	-	-	-	-
3	WATER GUARD PLATE	55734D	-	-	-
4	OUTER COWL TOP PANEL SUB-ASSEMBLY	55701J	-	-	-



PROCEDURE		PART NAME CODE			
5	COOLER BRACKET	-	-	-	-
6	COOLER EXPANSION VALVE	88515A	INFO	-	-

*1	NO. 8 DISCHARGE TUBE	*2	NO. 7 DISCHARGE TUBE
•	Non-reusable part	-	-

PROCEDURE

1. RECOVER REFRIGERANT FROM REFRIGERATION SYSTEM

(a) for HFC-134a (R134a):

Click here [INFO](#)

(b) for HFO-1234yf (R1234yf):

Click here [INFO](#)

2. REMOVE WINDSHIELD WIPER MOTOR AND LINK ASSEMBLY

Click here [INFO](#)

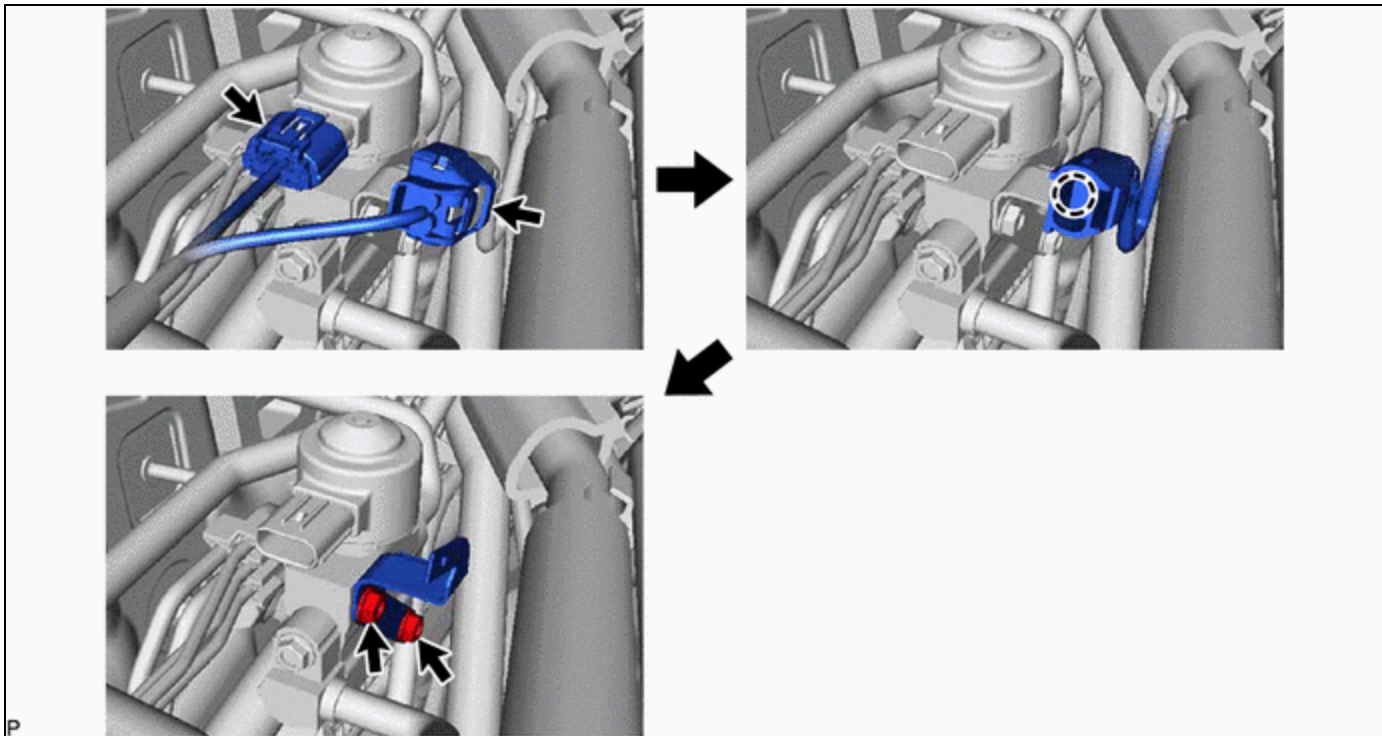
3. REMOVE WATER GUARD PLATE

Click here [INFO](#)

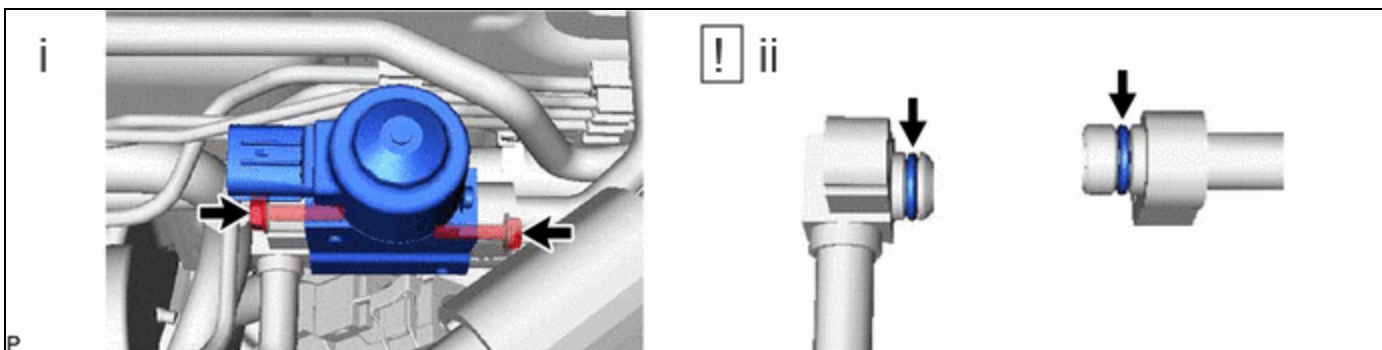
4. REMOVE OUTER COWL TOP PANEL SUB-ASSEMBLY

Click here [INFO](#)

5. REMOVE COOLER BRACKET



6. REMOVE COOLER EXPANSION VALVE



(1) Remove the 2 bolts and cooler expansion valve.

NOTICE:

Do not apply excessive force to the No. 7 discharge tube and No. 8 discharge tube.

(2) Remove the 2 O-rings from the No. 7 discharge tube and No. 8 discharge tube.

NOTICE:

Seal the openings of the disconnected parts using vinyl tape to prevent entry of moisture and foreign matter.

