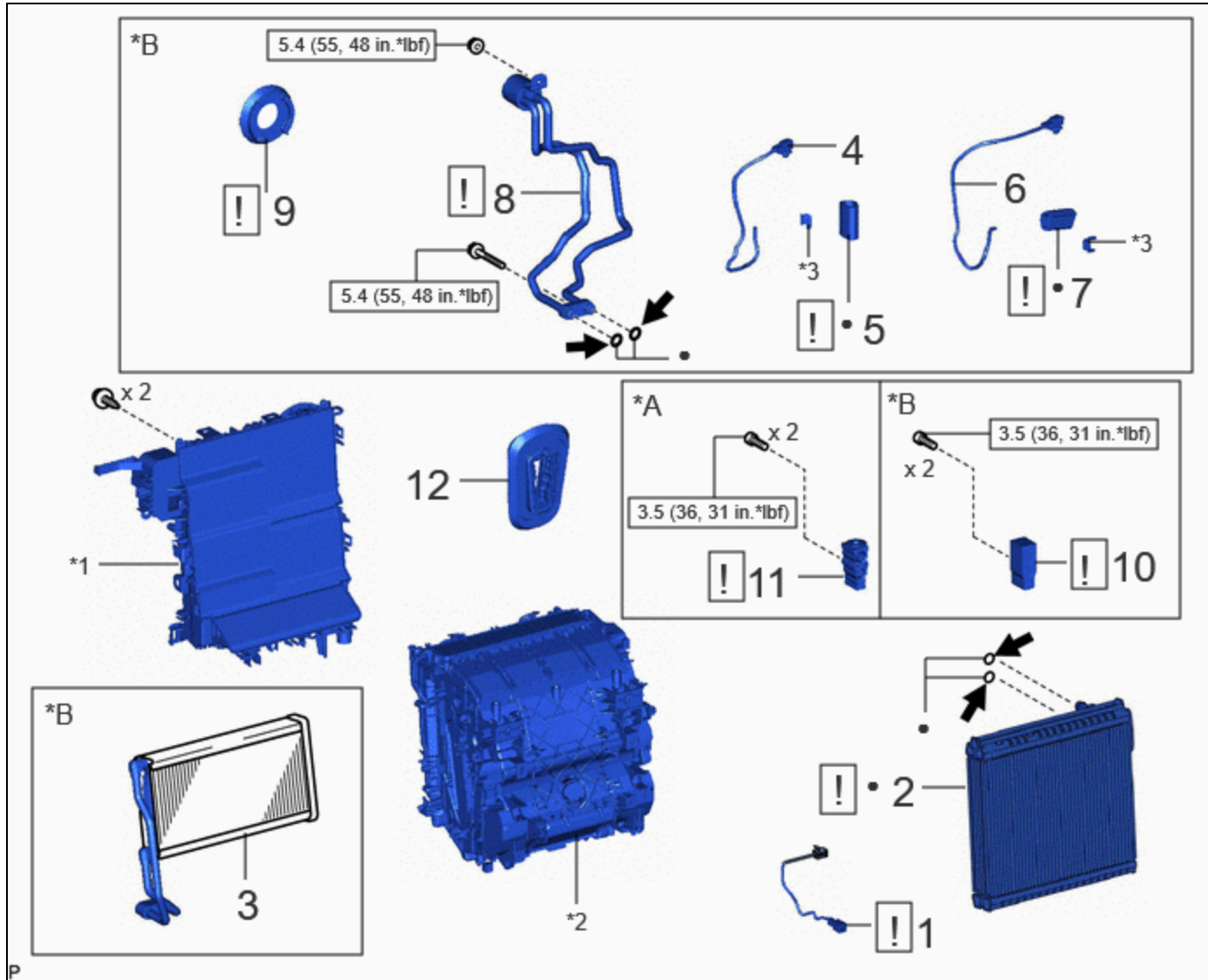


<b>Last Modified:</b> 12-04-2024	6.11:8.1.0	<b>Doc ID:</b> RM100000002AXF5
<b>Model Year Start:</b> 2023	<b>Model:</b> Prius Prime	<b>Prod Date Range:</b> [03/2023 - ]
<b>Title:</b> HEATING / AIR CONDITIONING: AIR CONDITIONING UNIT: REASSEMBLY; 2023 - 2024 MY Prius Prius Prime [03/2023 - ]		




## REASSEMBLY

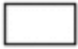

### CAUTION / NOTICE / HINT

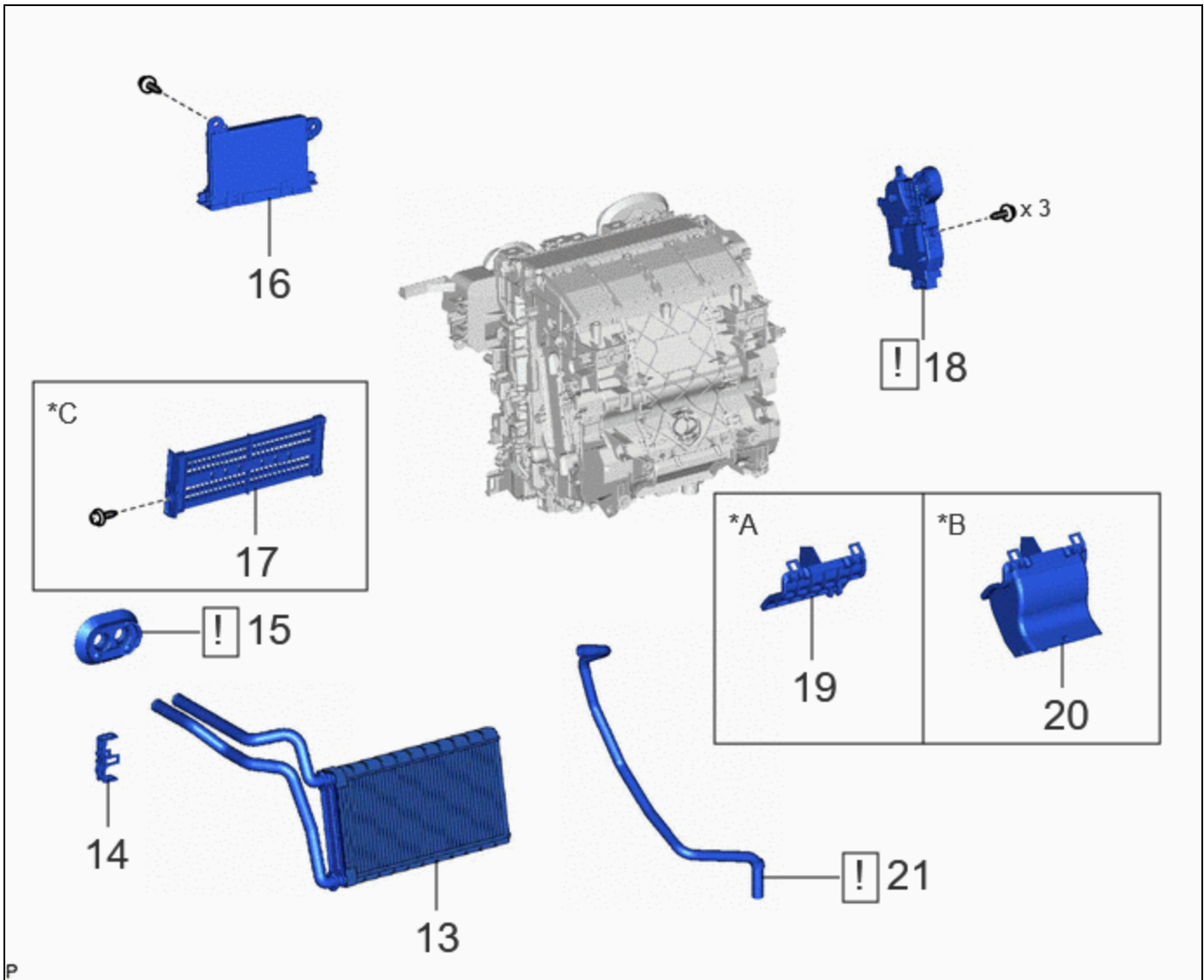
#### COMPONENTS (REASSEMBLY)






PROCEDURE		PART NAME CODE	!	📄	⚙️
1	NO. 1 COOLER THERMISTOR	88625	INFO	-	-
2	NO. 1 COOLER EVAPORATOR SUB-ASSEMBLY	88501	INFO	-	-

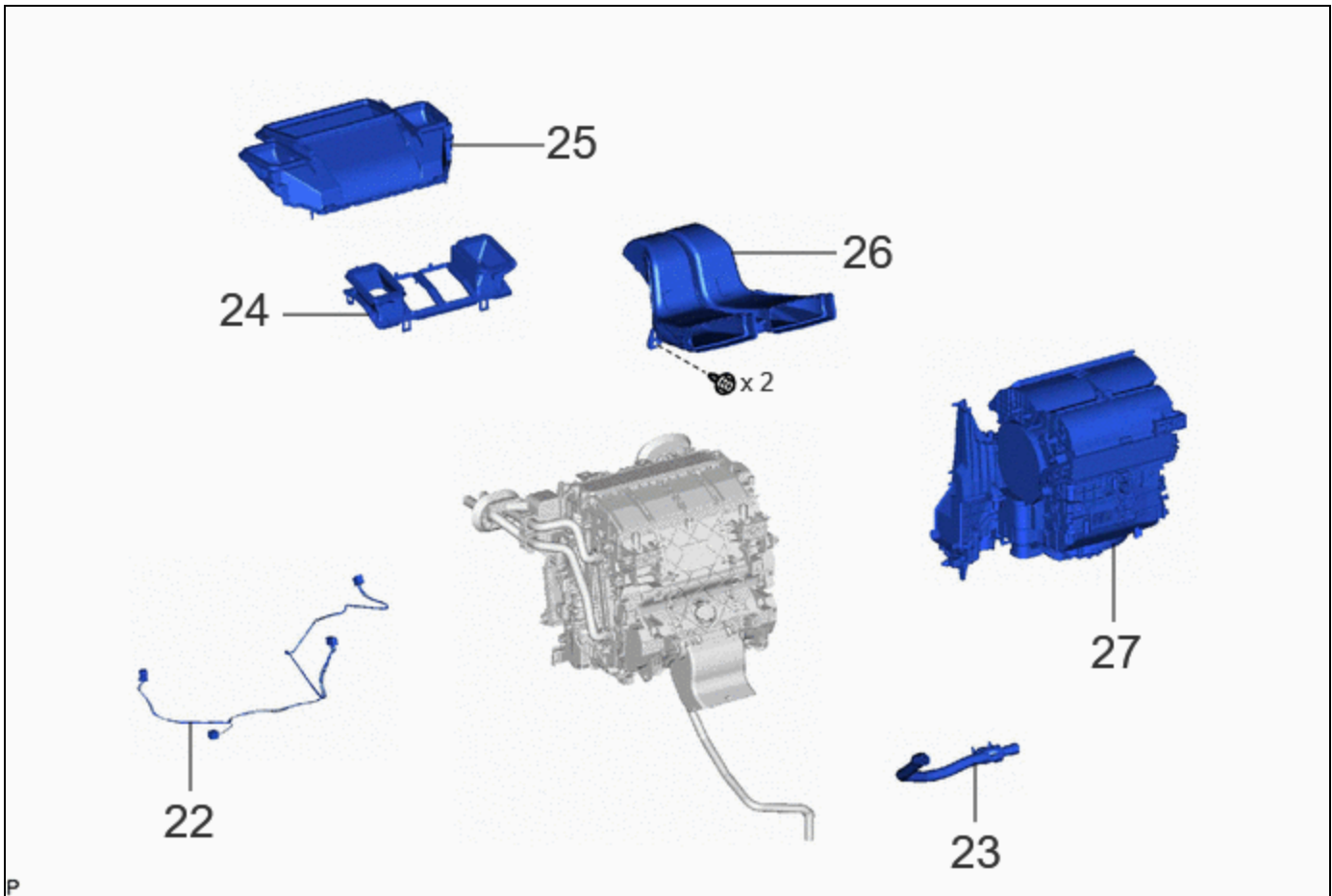
PROCEDURE		PART NAME CODE			
3	CONDENSER ASSEMBLY	88460Q	-	-	-
4	DISCHARGE TEMPERATURE SENSOR	88620J	-	-	-
5	NO. 1 COOLING UNIT PACKING	88578B	INFO	-	-
6	INTERNAL CONDENSER TEMPERATURE SENSOR	88620H	-	-	-
7	NO. 1 COOLING UNIT PACKING	88578B	INFO	-	-
8	NO. 1 DISCHARGE TUBE	88715M	INFO	-	-
9	COOLING UNIT PARTS	88899L	INFO	-	-
10	CONNECTOR TUBE	-	INFO	-	-
11	COOLER EXPANSION VALVE	88515	INFO	-	-
12	COOLER PIPE GROMMET	88897K	-	-	-

*A	for HEV Model	*B	for PHEV Model
*1	UPPER HEATER CASE	*2	LOWER HEATER CASE
*3	CLAMP	-	-
	N*m (kgf*cm, ft.*lbf): Specified torque	•	Non-reusable part
	Compressor oil ND-OIL 11 or equivalent	-	-



PROCEDURE		PART NAME CODE			
13	HEATER RADIATOR UNIT SUB-ASSEMBLY	87107A	-	-	-
14	HEATER CLAMP	87124C	-	-	-
15	HEATER PIPE GROMMET	88897M	<a href="#">INFO</a>	-	-
16	AIR CONDITIONING AMPLIFIER ASSEMBLY	88650N	-	-	-
17	HEATER COVER	87114B	-	-	-
18	NO. 1 AIR CONDITIONING RADIATOR DAMPER SERVO SUB-ASSEMBLY	87050C	<a href="#">INFO</a>	-	-
19	COVER	88482A	-	-	-
20	AIR DUCT	87413	-	-	-
21	DRAIN COOLER HOSE	88539J	<a href="#">INFO</a>	-	-

*A	w/o Rear Air Duct	*B	w/ Rear Air Duct
*C	for HEV Model	-	-



PROCEDURE		PART NAME CODE			
22	AIR CONDITIONING HARNESS ASSEMBLY	82210K	-	-	-
23	ASPIRATOR	88897P	-	-	-
24	LOWER DEFROSTER NOZZLE	55967B	-	-	-
25	LOWER DEFROSTER NOZZLE ASSEMBLY	55990B	-	-	-
26	NO. 3 HEATER TO REGISTER DUCT SUB-ASSEMBLY	55086	-	-	-
27	BLOWER ASSEMBLY	87130D	-	-	-

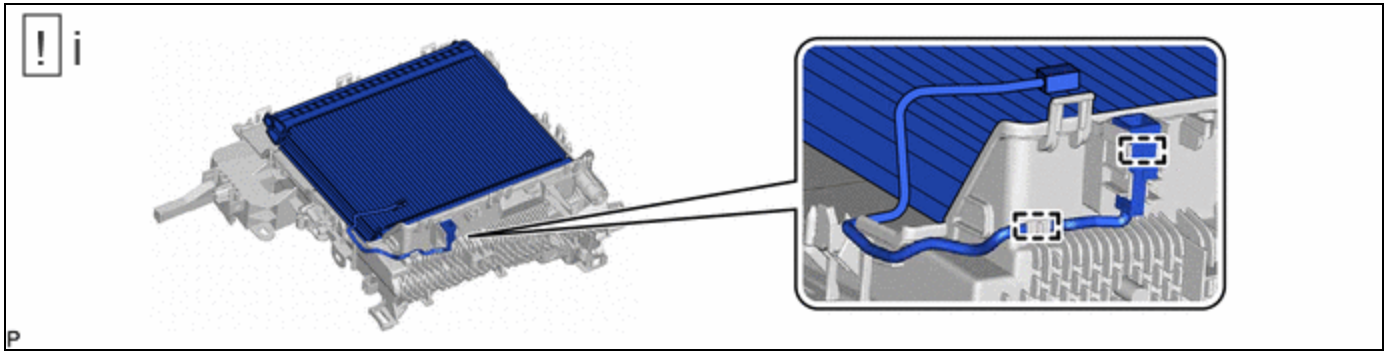
## PROCEDURE

### 1. INSTALL NO. 1 COOLER THERMISTOR

	Click here <a href="#">INFO</a>
--	---------------------------------

## 2. INSTALL NO. 1 COOLER EVAPORATOR SUB-ASSEMBLY

(a) for HEV Model:

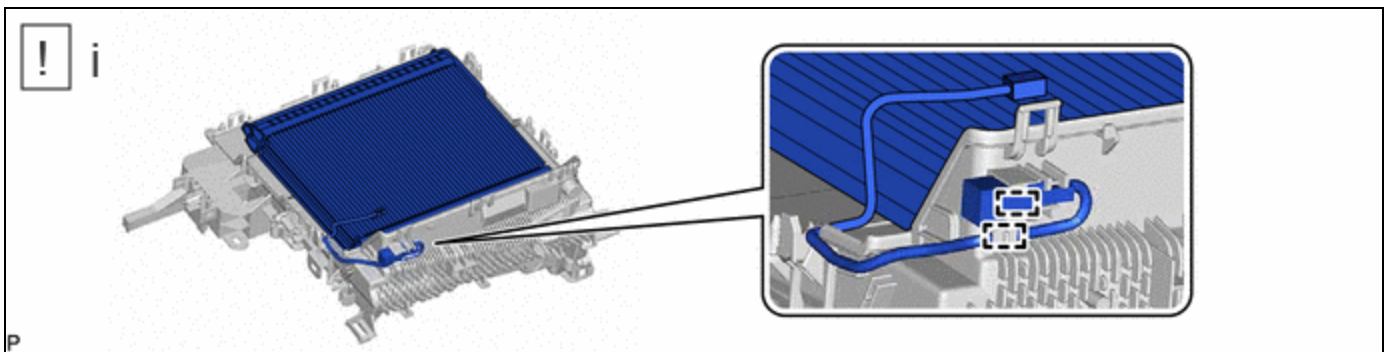


(1) Engage the 2 clamps and install the No. 1 cooler evaporator sub-assembly with No. 1 cooler thermistor to the upper heater case.

### NOTICE:

When the No. 1 cooler evaporator sub-assembly is removed, make sure to install a new one. The No. 1 cooler evaporator sub-assembly cannot be reused.

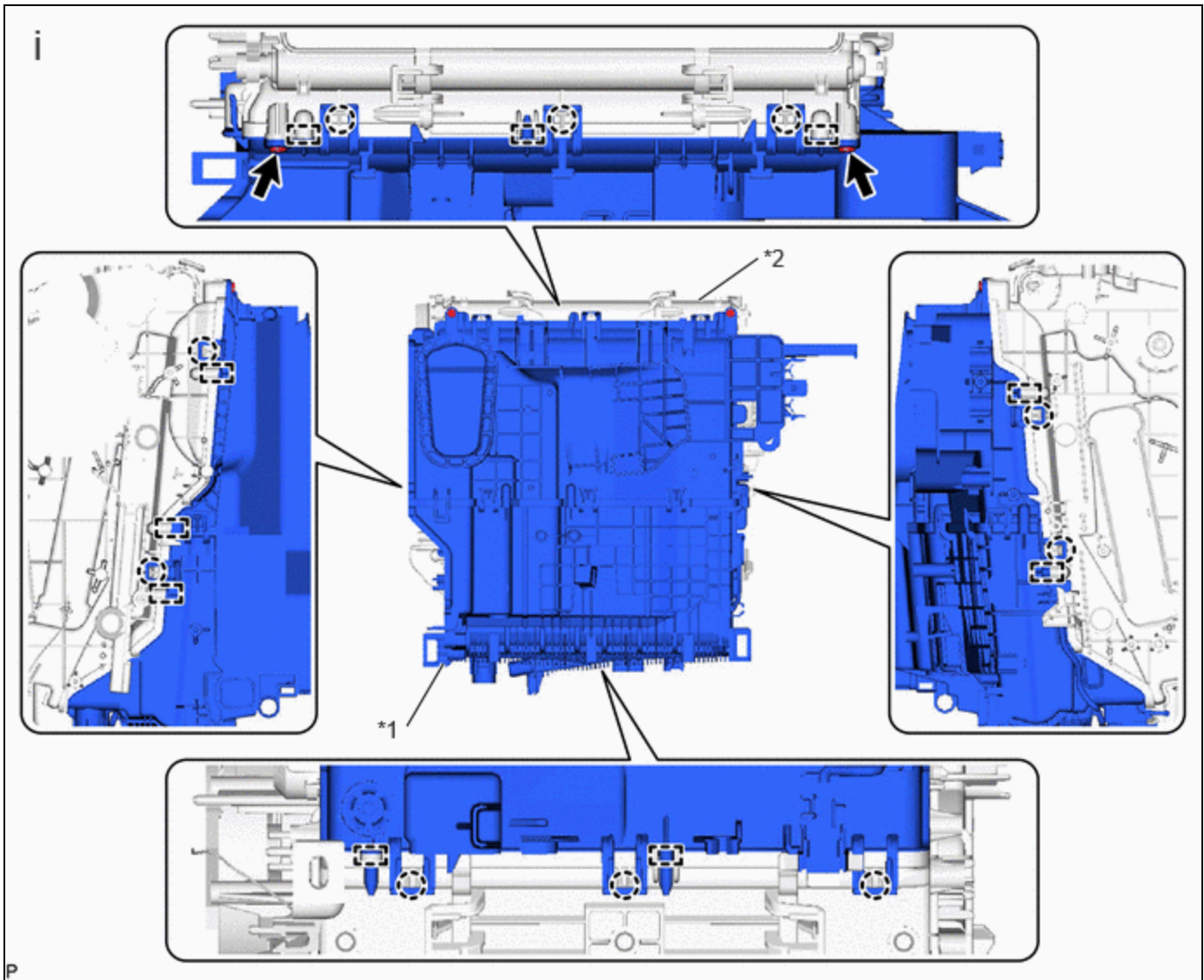
(b) for PHEV Model:



(1) Engage the 2 clamps and install the No. 1 cooler evaporator sub-assembly with No. 1 cooler thermistor to the upper heater case.

### NOTICE:

When the No. 1 cooler evaporator sub-assembly is removed, make sure to install a new one. The No. 1 cooler evaporator sub-assembly cannot be reused.



*1	Upper Heater Case	*2	Lower Heater Case
----	-------------------	----	-------------------


(1) Engage the 10 claws, 10 guides and install the upper heater case with No. 1 cooler evaporator sub-assembly to the lower heater case with the 2 screws.

**3. INSTALL CONDENSER ASSEMBLY (for PHEV Model)**

**4. INSTALL DISCHARGE TEMPERATURE SENSOR (for PHEV Model)**

Click here [INFO](#)

**5. INSTALL NO. 1 COOLING UNIT PACKING (for PHEV Model)**

	Click here <a href="#">INFO</a>
---	---------------------------------

**6. INSTALL INTERNAL CONDENSER TEMPERATURE SENSOR (for PHEV Model)**

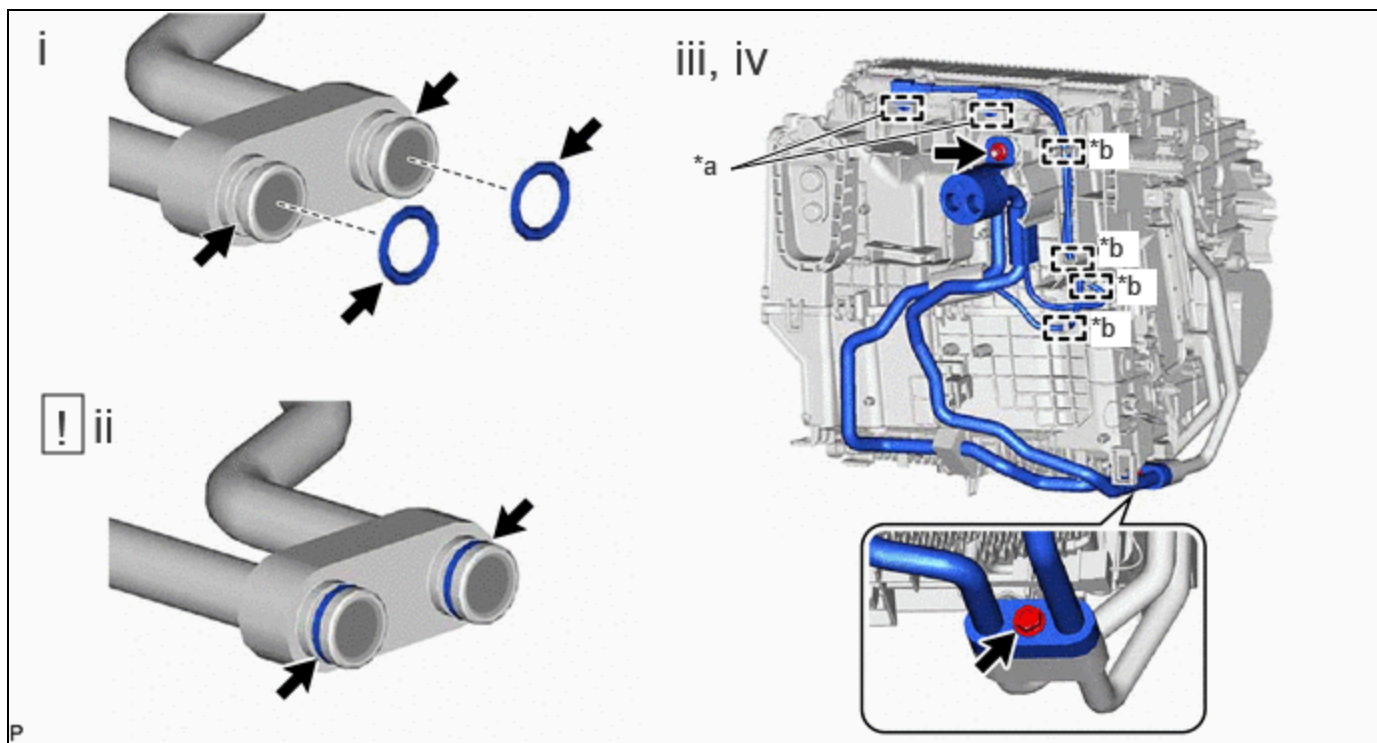
Click here [INFO](#)

**7. INSTALL NO. 1 COOLING UNIT PACKING (for PHEV Model)**



Click here [INFO](#)

## 8. INSTALL NO. 1 DISCHARGE TUBE (for PHEV Model)



*a	Clamp	*b	Guide
----	-------	----	-------

- (1) Remove the vinyl tape from the No. 1 discharge tube, and sufficiently apply compressor oil to 2 new O-rings and the fitting surfaces of the No. 1 discharge tube.

Compressor Oil:

ND-OIL 11 or equivalent

- (2) Install the 2 O-rings to the No. 1 discharge tube.

### NOTICE:

Keep the O-rings and O-ring fitting surfaces free of foreign matter.

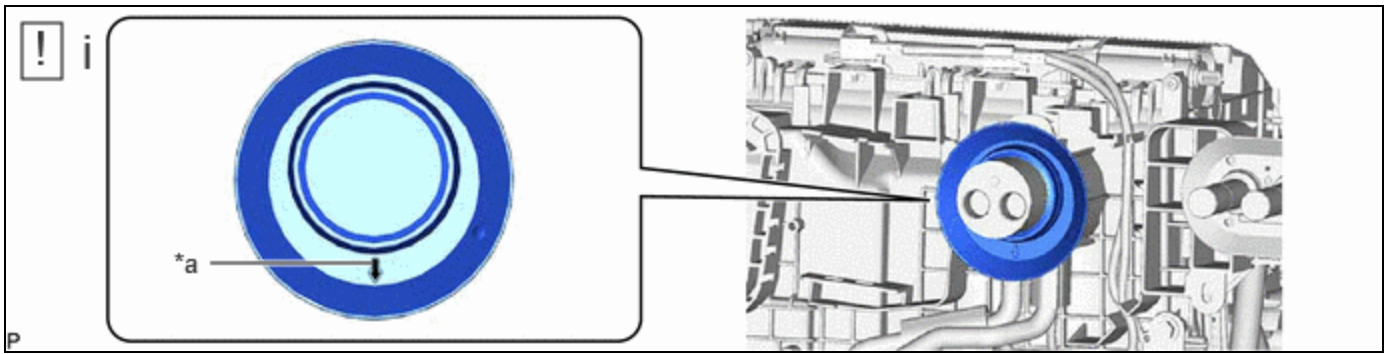
- (3) Install the No. 1 discharge tube with the bolt and nut.

### Torque:

**5.4 N·m {55 kgf·cm, 48 in·lbf}**

- (4) Engage the 4 guides and 2 clamps.

## 9. INSTALL COOLING UNIT PARTS (for PHEV Model)



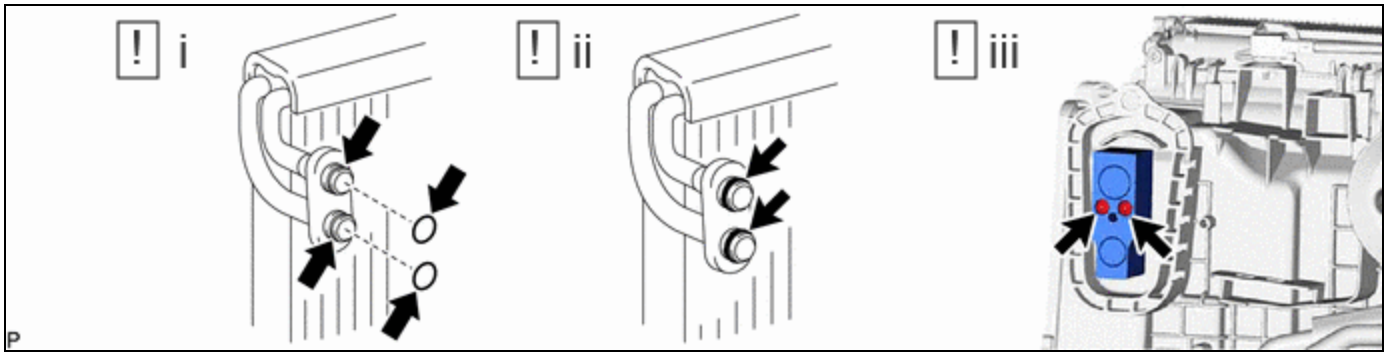
*a	Reference Point	-	-
----	-----------------	---	---

(1) Install the cooling unit parts as shown in the illustration.

**NOTICE:**

Install the cooling unit parts with the arrow facing down.

**10. INSTALL CONNECTOR TUBE (for PHEV Model)**



(1) Remove the vinyl tape from the No. 1 cooler evaporator sub-assembly, and sufficiently apply compressor oil to 2 new O-rings and the fitting surfaces of the No. 1 cooler evaporator sub-assembly.

Compressor Oil:  
ND-OIL 11 or equivalent

(2) Install the 2 O-rings to the No. 1 cooler evaporator sub-assembly.

**NOTICE:**

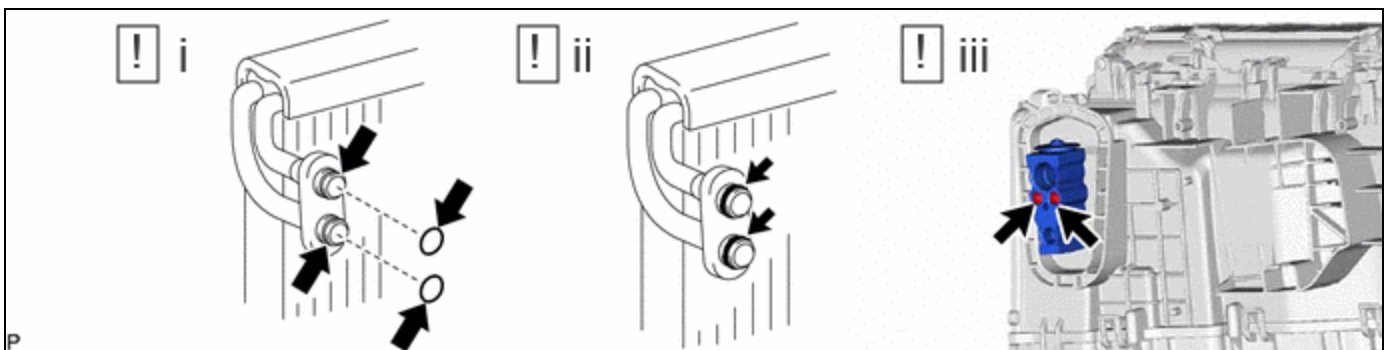
Keep the O-rings and O-ring fitting surfaces free of foreign matter.

(3) Using a 4 mm hexagon socket wrench, install the connector tube with the 2 hexagon bolts.

**Torque:**

**3.5 N·m {36 kgf·cm, 31 in·lbf}**

**11. INSTALL COOLER EXPANSION VALVE (for HEV Model)**





- (1) Remove the vinyl tape from the No. 1 cooler evaporator sub-assembly, and sufficiently apply compressor oil to 2 new O-rings and the fitting surfaces of the No. 1 cooler evaporator sub-assembly.

Compressor Oil:

ND-OIL 11 or equivalent

- (2) Install the 2 O-rings to the No. 1 cooler evaporator sub-assembly.

**NOTICE:**

Keep the O-rings and O-ring fitting surfaces free of foreign matter.

- (3) Using a 4 mm hexagon socket wrench, install the cooler expansion valve with the 2 hexagon bolts.

**Torque:**

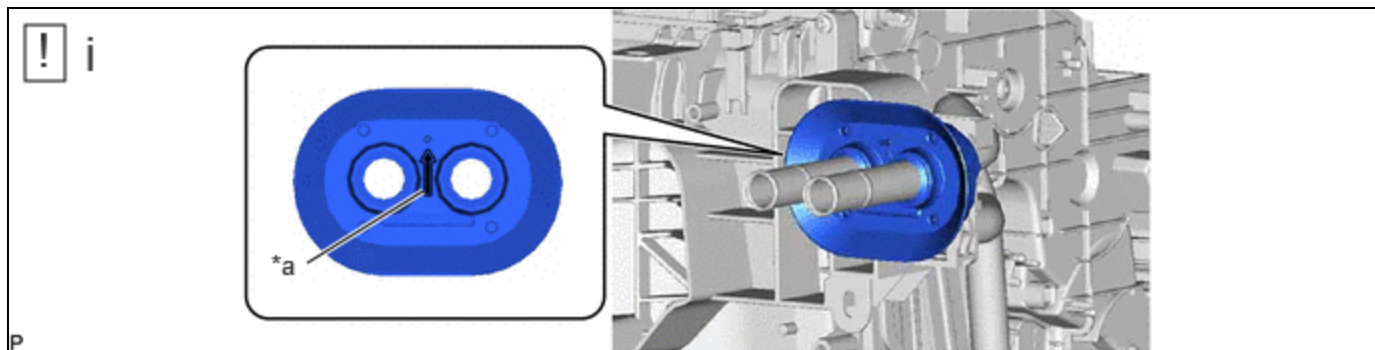
**3.5 N·m {36 kgf·cm, 31 in·lbf}**

**12. INSTALL COOLER PIPE GROMMET**

**13. INSTALL HEATER RADIATOR UNIT SUB-ASSEMBLY**

**14. INSTALL HEATER CLAMP**

**15. INSTALL HEATER PIPE GROMMET**



*a	Reference Point	-	-
----	-----------------	---	---

- (1) Install the heater pipe grommet as shown in the illustration.

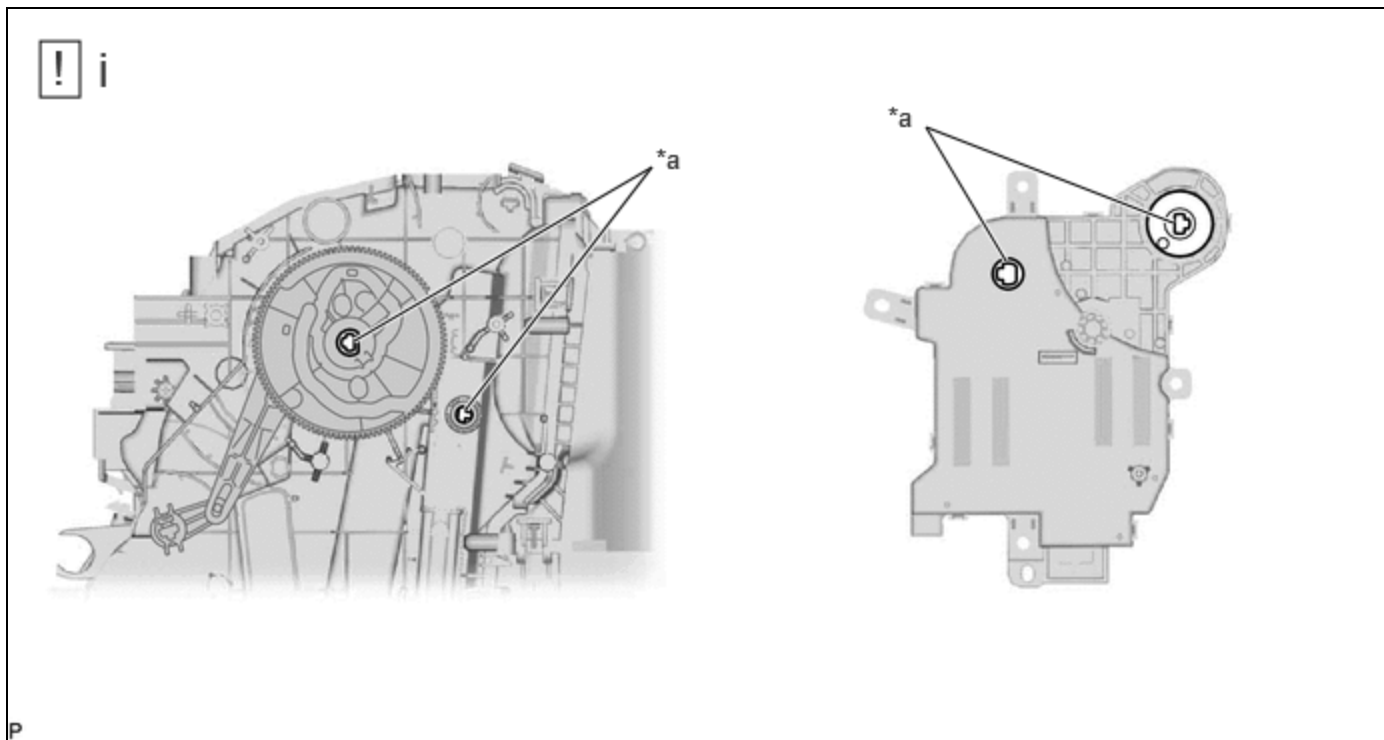
**NOTICE:**

Install the heater pipe grommet with the arrow facing up.

**16. INSTALL AIR CONDITIONING AMPLIFIER ASSEMBLY**

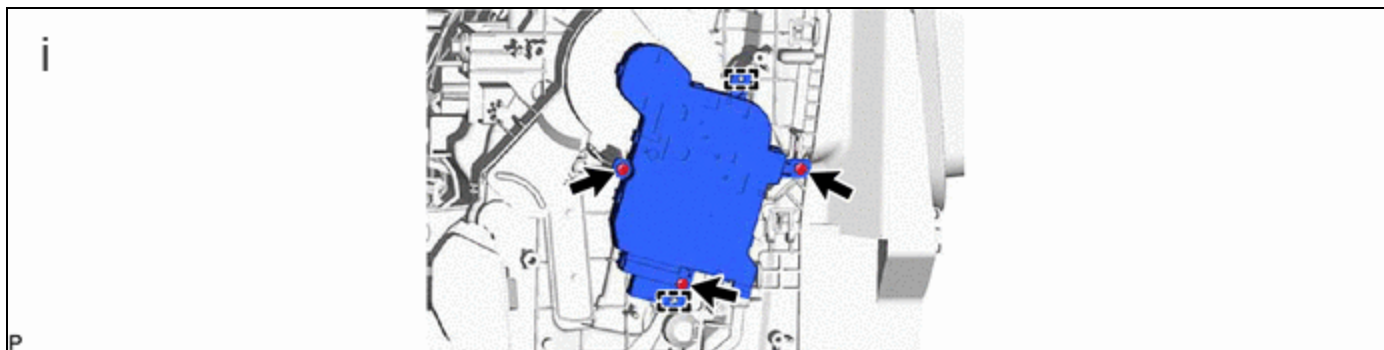
**17. INSTALL HEATER COVER (for HEV Model)**

**18. INSTALL NO. 1 AIR CONDITIONING RADIATOR DAMPER SERVO SUB-ASSEMBLY**



*a	Reference Point	-	-
----	-----------------	---	---

- (1) Align each gear on the air conditioning radiator assembly as shown in the illustration, and then check that the gears of the No. 1 air conditioning radiator damper servo sub-assembly are aligned as shown in the illustration.

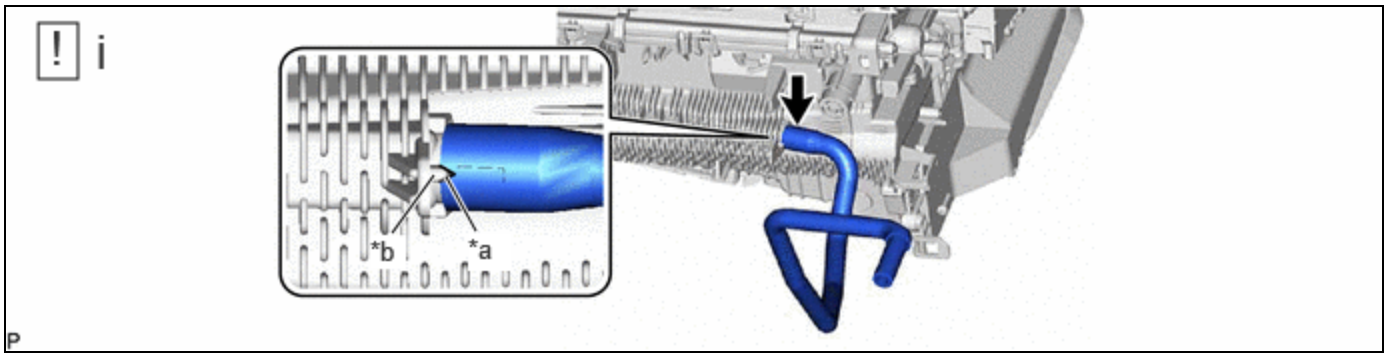


- (1) Engage the 2 guides to install the No. 1 air conditioning radiator damper servo sub-assembly with the 3 screws.

### 19. INSTALL COVER (w/o Rear Air Duct)

### 20. INSTALL AIR DUCT (w/ Rear Air Duct)

### 21. INSTALL DRAIN COOLER HOSE



*a	Hose Notch	*b	Rib
----	------------	----	-----

(1) Align the hose notch with the rib as shown in the illustration and install the drain cooler hose.

## 22. INSTALL AIR CONDITIONING HARNESS ASSEMBLY

## 23. INSTALL ASPIRATOR

## 24. INSTALL LOWER DEFROSTER NOZZLE

## 25. INSTALL LOWER DEFROSTER NOZZLE ASSEMBLY

## 26. INSTALL NO. 3 HEATER TO REGISTER DUCT SUB-ASSEMBLY

## 27. INSTALL BLOWER ASSEMBLY

Click here [INFO](#)

