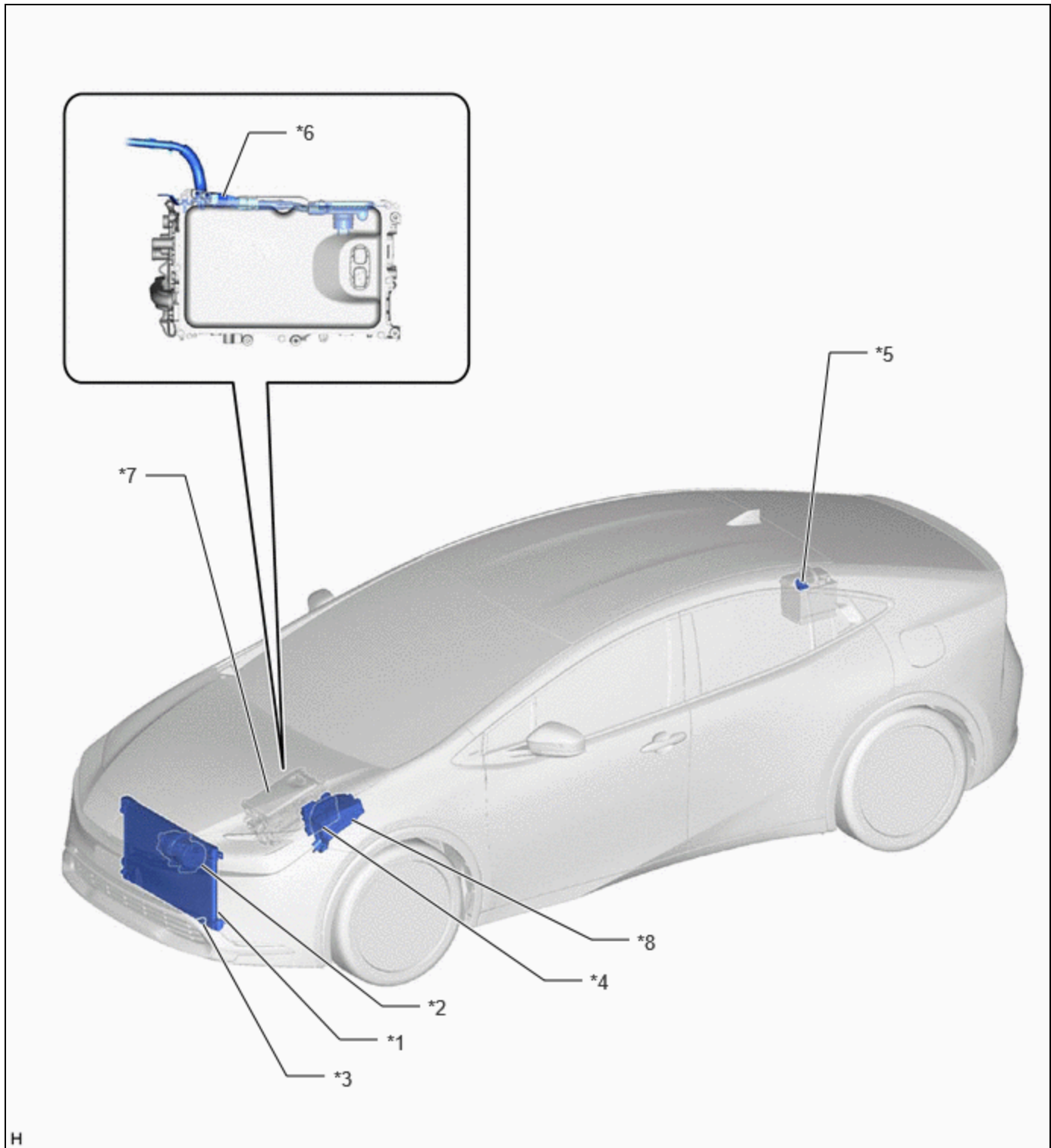


<b>Last Modified:</b> 12-04-2024	6.11:8.1.0	<b>Doc ID:</b> RM10000002B0U3
<b>Model Year Start:</b> 2023	<b>Model:</b> Prius Prime	<b>Prod Date Range:</b> [03/2023 - ]
<b>Title:</b> HEATING / AIR CONDITIONING: AIR CONDITIONING SYSTEM (for PHEV Model): PARTS LOCATION; 2023 - 2024 MY Prius Prime [03/2023 - ]		

## PARTS LOCATION

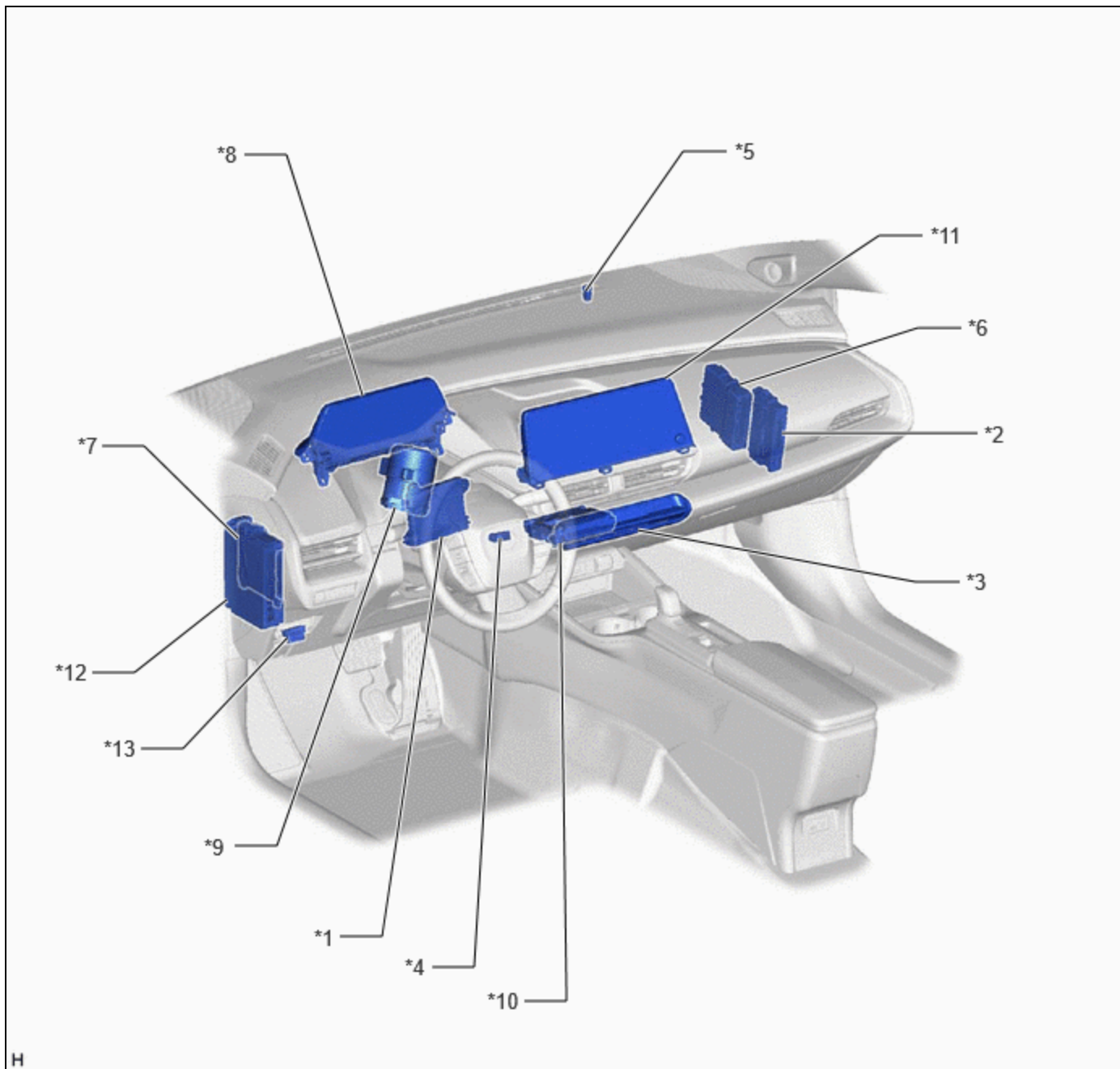
### ILLUSTRATION



H

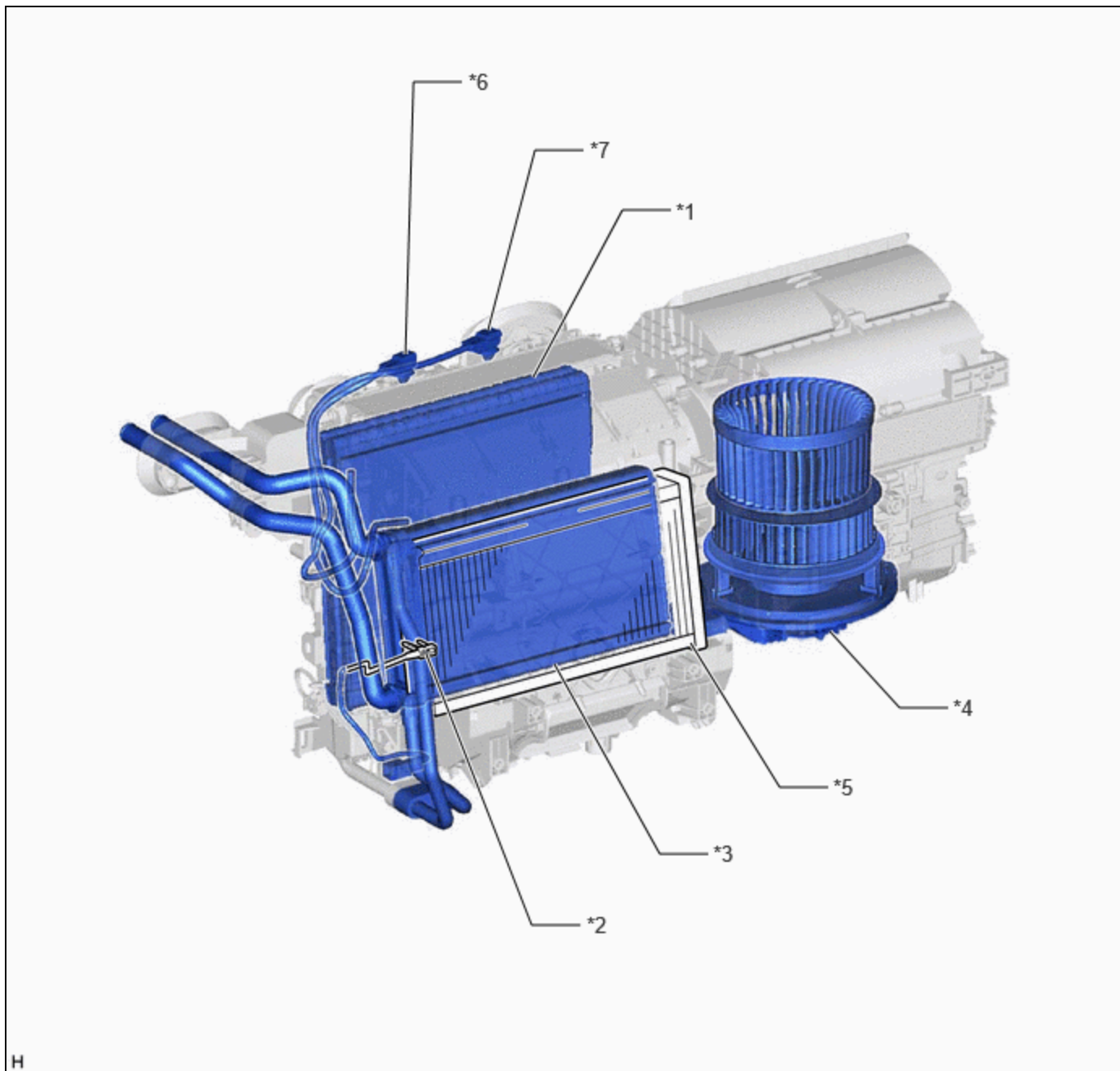
*1	OUTER HEAT EXCHANGER (COOLER CONDENSER ASSEMBLY)	*2	COMPRESSOR WITH MOTOR ASSEMBLY
*3	AMBIENT TEMP. SENSOR (THERMISTOR ASSEMBLY)	*4	ECM
*5	BATTERY STATE SENSOR ASSEMBLY	*6	HV AIR CONDITIONING WIRE
*7	INVERTER WITH CONVERTER ASSEMBLY	*8	NO. 1 ENGINE ROOM RELAY BLOCK AND NO. 1 JUNCTION BLOCK ASSEMBLY - HTR FUSE - ECU-IGP NO. 3 FUSE - ECU-B FUSE - IG-B RELAY - A/C MG/V RELAY

## **ILLUSTRATION**



*1	AIR CONDITIONING AMPLIFIER ASSEMBLY	*2	HEAT PUMP ECU ASSEMBLY
*3	AIR CONDITIONING CONTROL ASSEMBLY	*4	ROOM TEMP. SENSOR (COOLER THERMISTOR)
*5	SOLAR SENSOR (AUTOMATIC LIGHT CONTROL SENSOR)	*6	HYBRID VEHICLE CONTROL ECU
*7	MAIN BODY ECU (MULTIPLEX NETWORK BODY ECU)	*8	COMBINATION METER ASSEMBLY
*9	POWER STEERING ECU ASSEMBLY	*10	DCM (TELEMATICS TRANSCEIVER)
*11	RADIO AND DISPLAY RECEIVER ASSEMBLY	*12	POWER DISTRIBUTION BOX ASSEMBLY - ECU-B NO. 3 FUSE
*13	DLC3	-	-

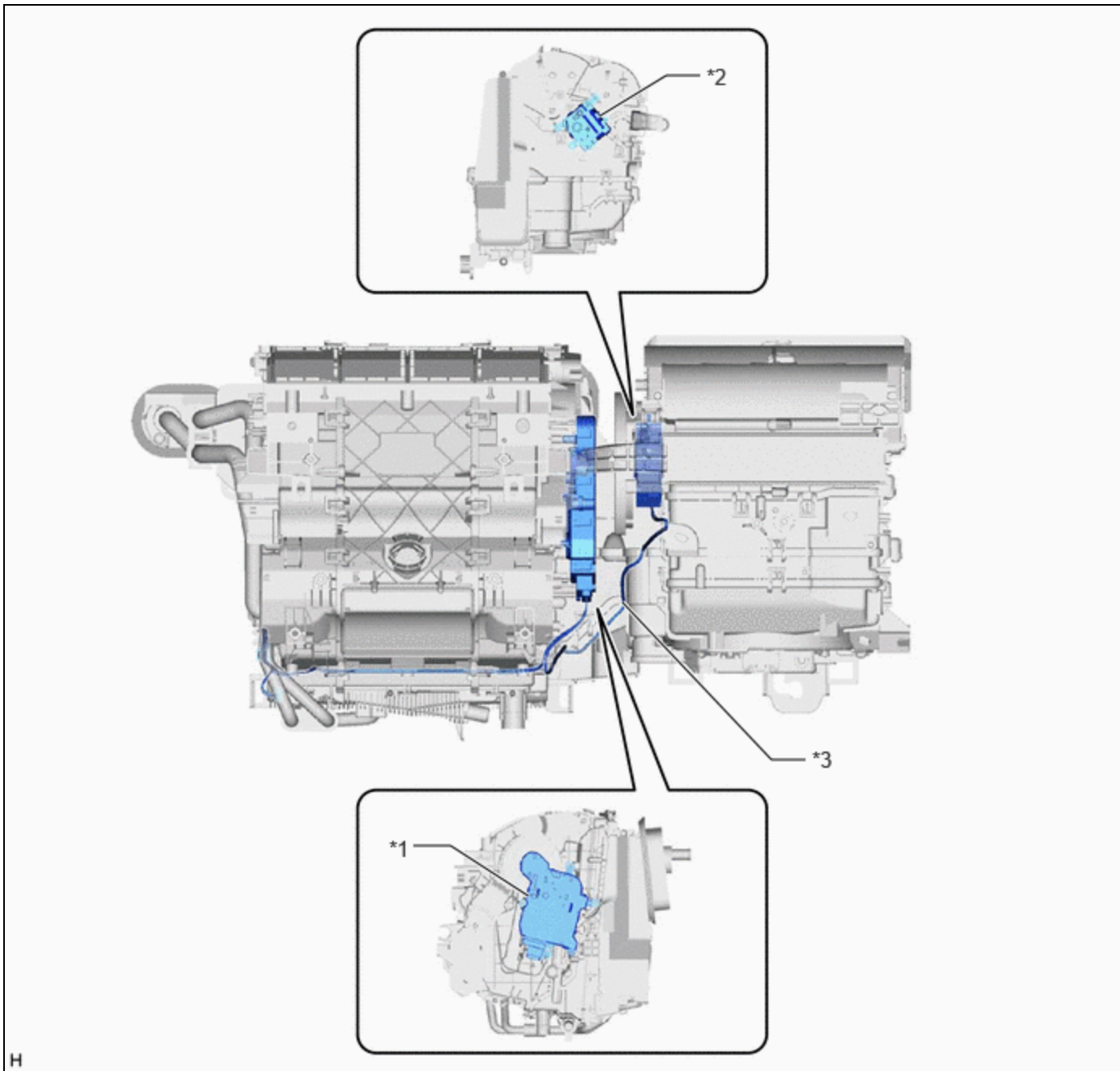
## ILLUSTRATION



H

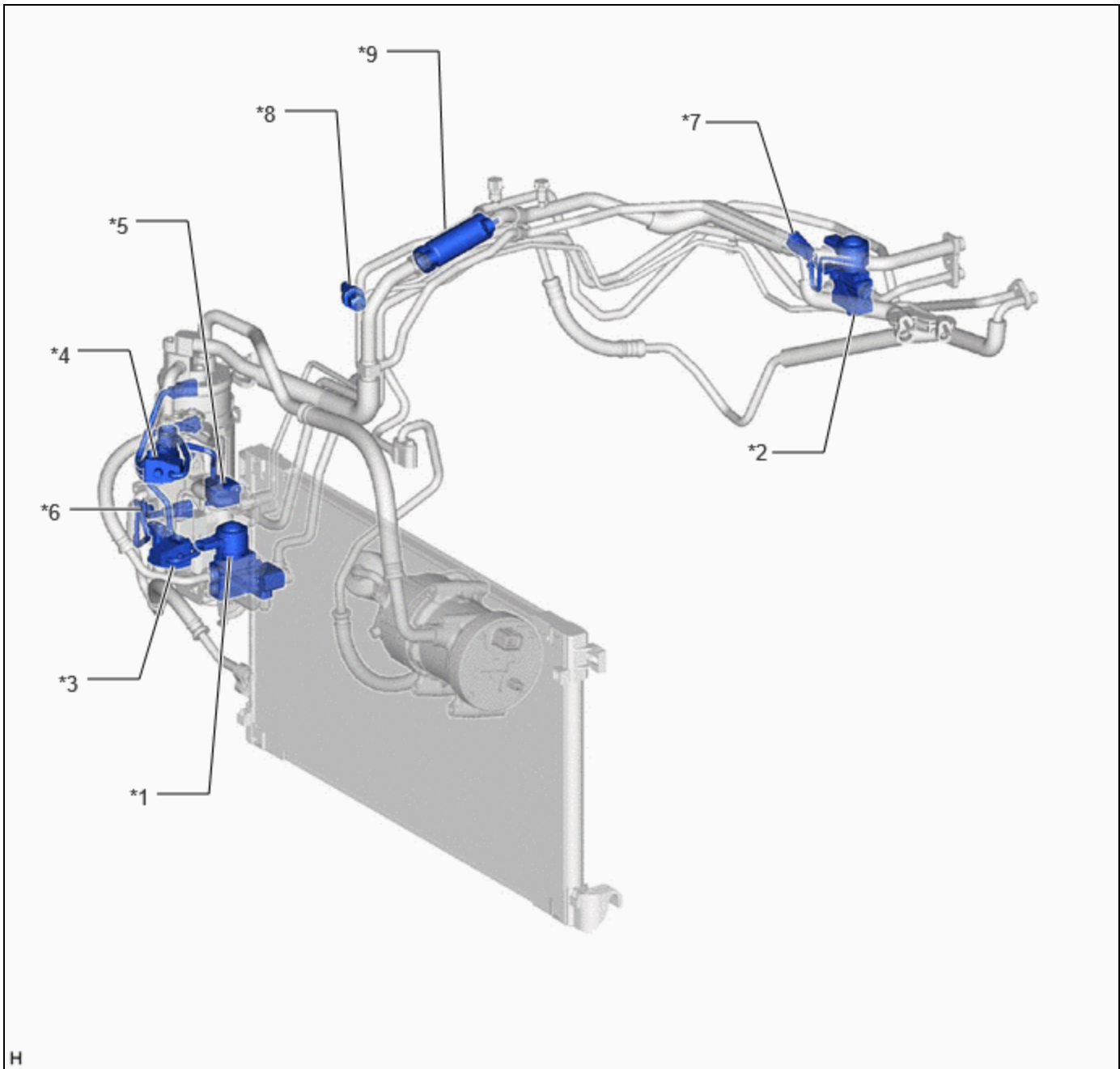
*1	NO. 1 COOLER EVAPORATOR SUB-ASSEMBLY	*2	EVAPORATOR TEMP. SENSOR (NO. 1 COOLER THERMISTOR)
*3	HEATER RADIATOR UNIT SUB-ASSEMBLY	*4	BLOWER MOTOR WITH FAN SUB-ASSEMBLY
*5	INTERNAL CONDENSER (CONDENSER ASSEMBLY)	*6	REFRIGERANT OUTLET SENSOR (DISCHARGE TEMPERATURE SENSOR)
*7	INTERNAL CONDENSER TEMPERATURE SENSOR	-	-

## ILLUSTRATION



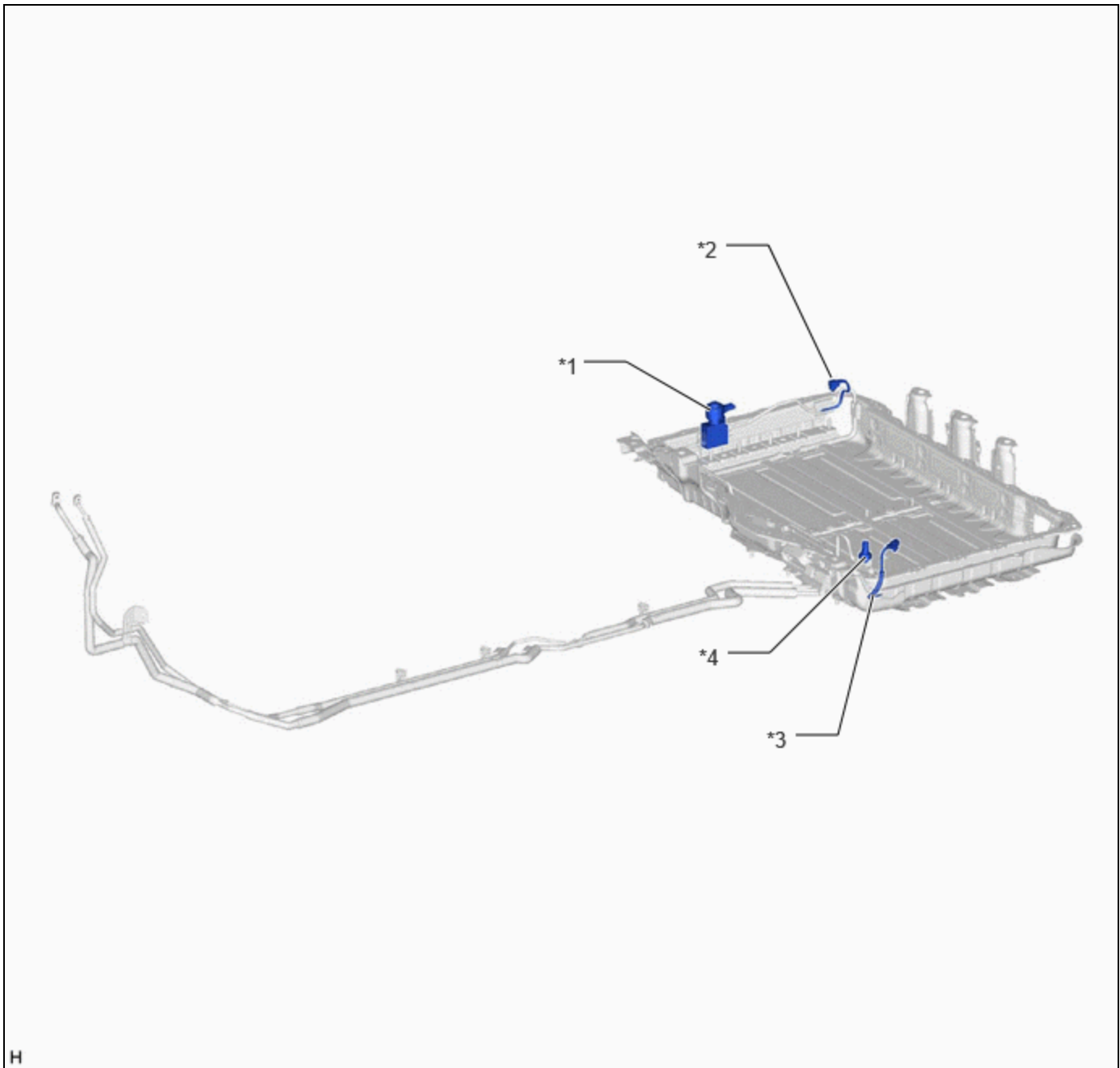
*1	NO. 1 AIR CONDITIONING RADIATOR DAMPER SERVO SUB-ASSEMBLY	*2	NO. 1 BLOWER DAMPER SERVO SUB-ASSEMBLY
*3	AIR CONDITIONING HARNESS ASSEMBLY	-	-

**ILLUSTRATION**



*1	HEATING ELECTRIC EXPANSION VALVE (MAGNET VALVE ASSEMBLY)	*2	COOLING ELECTRIC EXPANSION VALVE (COOLER EXPANSION VALVE)
*3	HIGH PRESSURE MAGNETIC VALVE (NO. 2 MAGNET VALVE ASSEMBLY)	*4	LOW PRESSURE MAGNETIC VALVE (NO. 3 MAGNET VALVE ASSEMBLY)
*5	EVAPORATOR FRONT MAGNETIC VALVE (NO. 1 MAGNET VALVE ASSEMBLY)	*6	OUTER HEAT EXCHANGER REFRIGERANT TEMPERATURE SENSOR (NO. 1 AIR CONDITIONING THERMISTOR ASSEMBLY)
*7	EVAPORATOR REFRIGERANT TEMPERATURE SENSOR (NO. 2 AIR CONDITIONING THERMISTOR ASSEMBLY)	*8	AIR CONDITIONING PRESSURE SENSOR
*9	EVAPORATOR PRESSURE REGULATOR SUB-ASSEMBLY	-	-

# ILLUSTRATION



H

*1	BATTERY COOLING EXPANSION VALVE (NO. 1 TRACTION BATTERY COOLER TUBE)	*2	BATTERY COOLING REFRIGERANT TEMPERATURE SENSOR (INLET) (NO. 1 TRACTION BATTERY COOLER TUBE)
*3	BATTERY COOLING REFRIGERANT TEMPERATURE SENSOR (OUTLET) (NO. 1 TRACTION BATTERY COOLER CONDUCTOR)	*4	BATTERY COOLING REFRIGERANT PRESSURE SENSOR (AIR CONDITIONING PRESSURE SENSOR)

