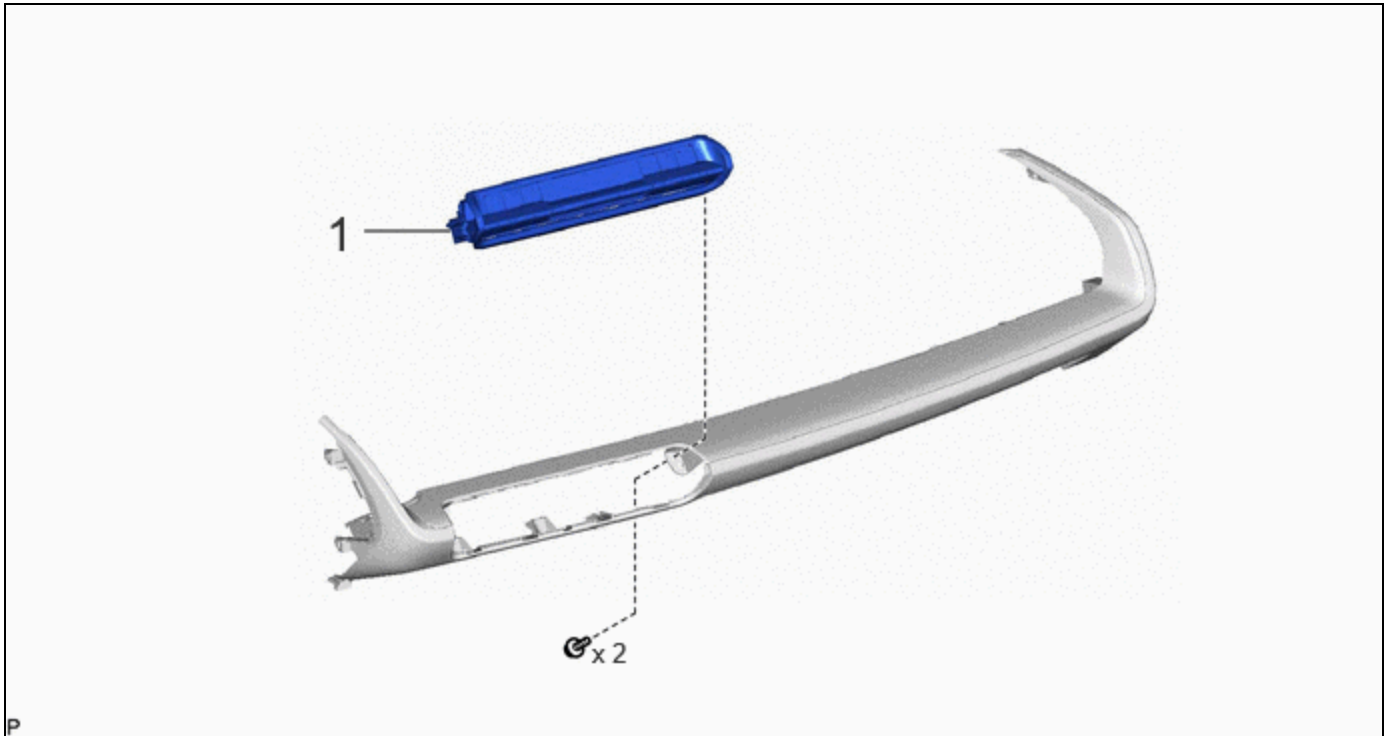





Last Modified: 12-04-2024	6.11:8.1.0	Doc ID: RM1000000029ZWL
Model Year Start: 2023	Model: Prius Prime	Prod Date Range: [12/2022 -]
Title: HEATING / AIR CONDITIONING: AIR CONDITIONING PANEL: INSTALLATION; 2023 - 2024 MY Prius Prius Prime [12/2022 -]		

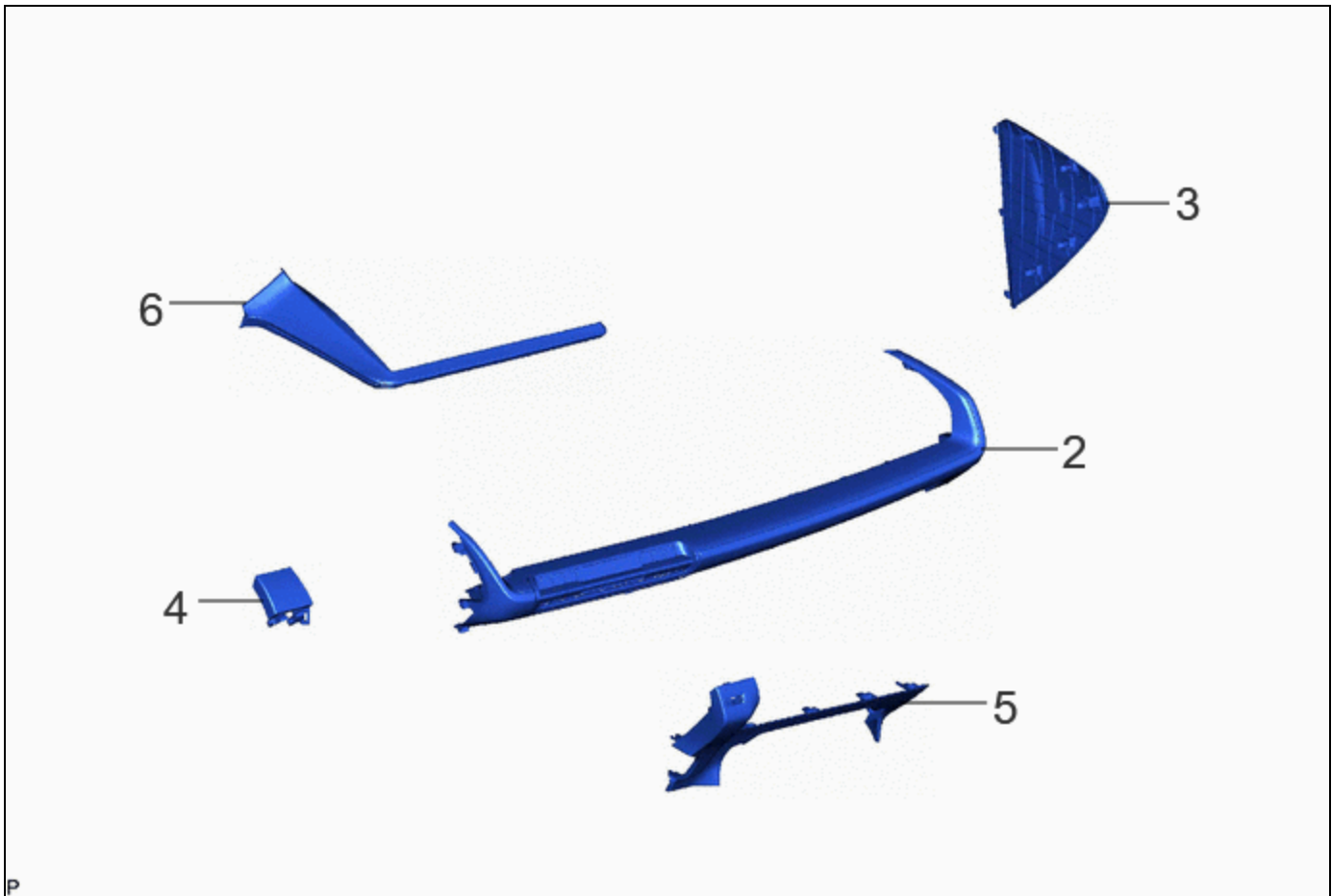
INSTALLATION




CAUTION / NOTICE / HINT

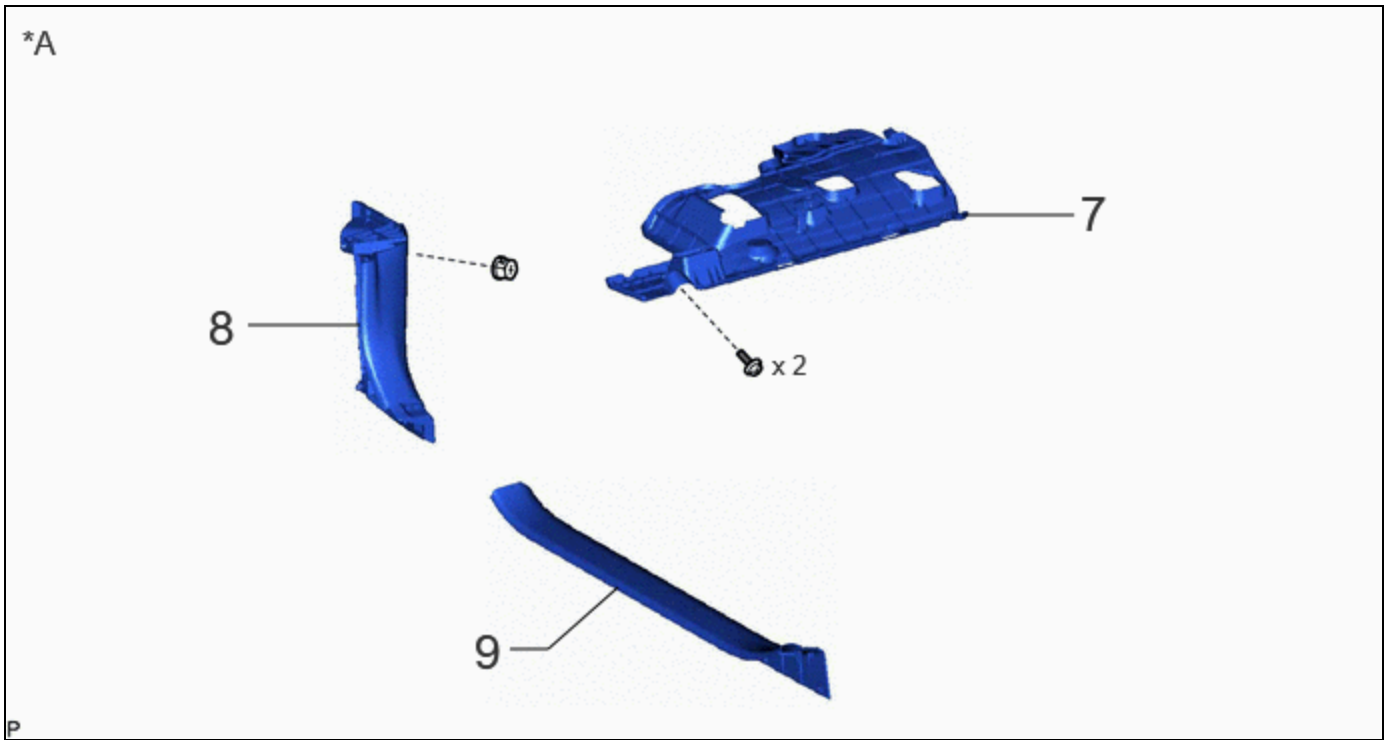
COMPONENTS (INSTALLATION)



PROCEDURE		PART NAME CODE			
1	AIR CONDITIONING CONTROL ASSEMBLY	55900	-	-	-



PROCEDURE	PART NAME CODE			
2 NO. 2 INSTRUMENT PANEL GARNISH SUB-ASSEMBLY WITH AIR CONDITIONING CONTROL ASSEMBLY	-	-	-	-
3 INSTRUMENT SIDE PANEL RH	55317A	-	-	-
4 LOWER CENTER INSTRUMENT CLUSTER FINISH PANEL SUB-ASSEMBLY	55406B	-	-	-
5 LOWER CENTER INSTRUMENT PANEL FINISH PANEL	55434B	-	-	-
6 CENTER INSTRUMENT CLUSTER FINISH PANEL ASSEMBLY	55420A	-	-	-



PROCEDURE		PART NAME CODE			
7	NO. 1 INSTRUMENT PANEL UNDER COVER SUB-ASSEMBLY	55606	-	-	-
8	COWL SIDE TRIM BOARD LH	62112	-	-	-
9	FRONT DOOR SCUFF PLATE LH	67914	-	-	-

*A	w/ Knee Airbag	-	-
----	----------------	---	---

PROCEDURE

1. INSTALL AIR CONDITIONING CONTROL ASSEMBLY
2. INSTALL NO. 2 INSTRUMENT PANEL GARNISH SUB-ASSEMBLY WITH AIR CONDITIONING CONTROL ASSEMBLY
3. INSTALL INSTRUMENT SIDE PANEL RH
4. INSTALL LOWER CENTER INSTRUMENT CLUSTER FINISH PANEL SUB-ASSEMBLY
5. INSTALL LOWER CENTER INSTRUMENT PANEL FINISH PANEL
6. INSTALL CENTER INSTRUMENT CLUSTER FINISH PANEL ASSEMBLY
7. INSTALL NO. 1 INSTRUMENT PANEL UNDER COVER SUB-ASSEMBLY (w/ Knee Airbag)
8. INSTALL COWL SIDE TRIM BOARD LH (w/ Knee Airbag)
9. INSTALL FRONT DOOR SCUFF PLATE LH (w/ Knee Airbag)

